

T 434

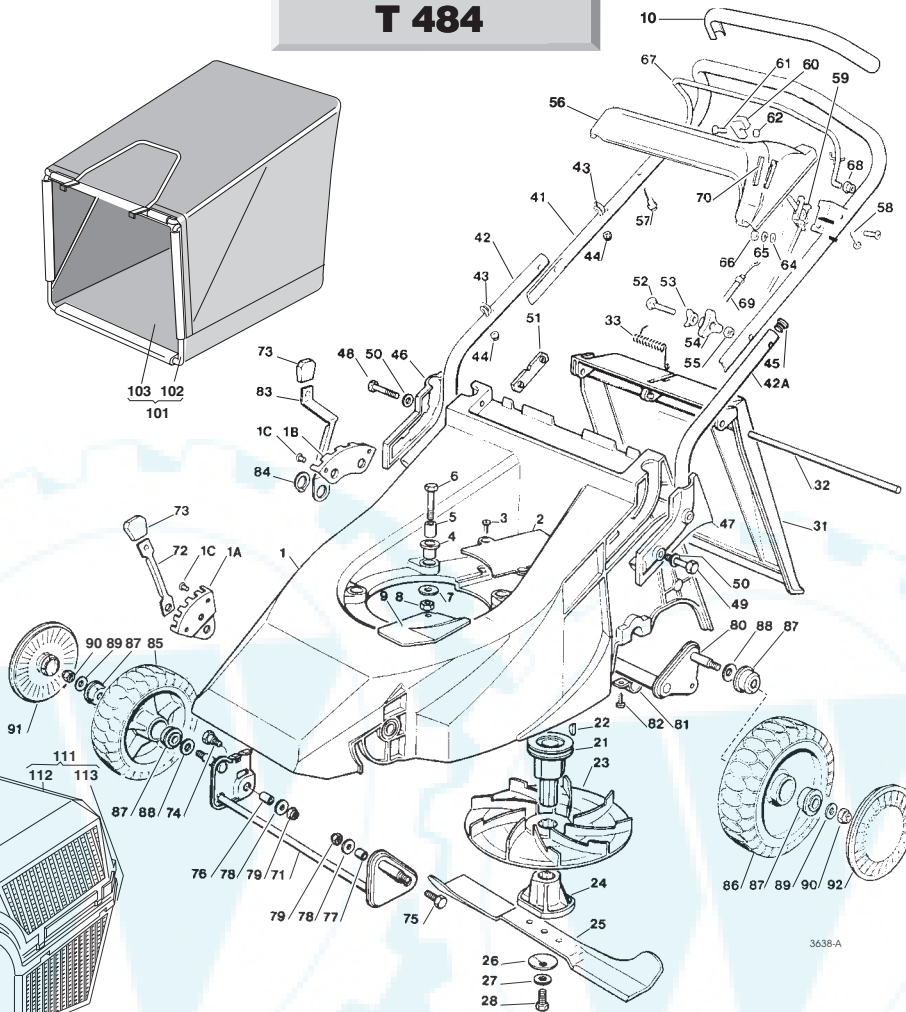
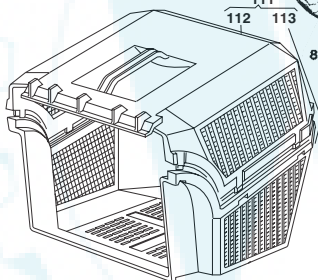
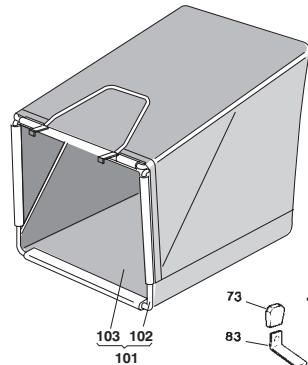
T 484

**CHASSIS
MANICO
COMANDI
DOTAZIONE VITERIE**

**DECK
HANDLE
CONTROLS
SCREWS OUTFITS**

**CHÂSSIS
MANCHERON
COMMANDES
DOTATION VISSERIE**

**GEHÄUSE
HOLM
BETÄTIGUNGEN
SCRAUBENSATZ**



SPARE PARTS CATALOGUE

ERSATZTEILKATALOG

GB

D

**CATALOGO DELLE PARTI
DI RICAMBIO**

**CATALOGUE DES PIÈCES
DE RECHANGE**

I

F

T-3638/A

| Pos. Nr. | Codice Code Kodex | Q.tà Q.ty-Q.tè Menge | Descrizione | Description | Description | Beschreibung |
|----------|-------------------|----------------------|---------------------|-------------------|----------------------|-------------------|
| 1 | | | CHASSIS | DECK | CHÂSSIS | GEHÄUSE |
| 1 | 81001415/1 | 1 | ROSSO T 434 | RED T 434 | ROUGE T 434 | ROTES T 434 |
| — | 81001417/1 | 1 | GIALLO T 434 | YELLOW T 434 | JAUNE T 434 | GELBES T 434 |
| — | 81001421/1 | 1 | VERDE T 434 | GREEN T 434 | VERT T 434 | GRÜNES T 434 |
| — | 81001416/1 | 1 | ROSSO T 484 | RED T 484 | ROUGE T 484 | ROTES T 484 |
| — | 81001418/1 | 1 | GIALLO T 484 | YELLOW T 484 | JAUNE T 484 | GELBES T 484 |
| — | 81001422/1 | 1 | VERDE T 484 | GREEN DECK T 484 | VERT T 484 | GRÜNES T 484 |
| 1A | 22735535/0 | 1 | SETTORE REGOLAZIONE | ADJUSTMENT SECTOR | SECTEUR REGLAGE | VERSTELLUNGSEKTOR |
| 1B | 22735508/0 | 1 | SETTORE REGOLAZIONE | ADJUSTMENT SECTOR | SECTEUR REGLAGE | VERSTELLUNGSEKTOR |
| 1C | 12500070/0 | 3 | RIVETTO | RIVET | RIVET | NIETE |
| 2 | | | CARTER CINGHIA | BELT PROTECTION T | PROTECTION COURROIRE | RIEMENSCHUTZ |
| — | 22060171/0 | 1 | T 434 | T 434 | T 434 | T 434 |
| — | 22060172/0 | 1 | T 484 | T 484 | T 484 | T 484 |
| 3 | 12728680/0 | 2 | VITE | SCREW | VIS | SCHRAUBE |
| 4 | 22040265/0 | 3 | BUSSOLA | BUSH | DOUILLE | BUCHSE |
| 5 | 22167840/0 | 3 | DISTANZIALE | SPACER | ENTRETOISE | DISTANZRING |
| 6 | 12691800/0 | 3 | VITE | SCREW | VIS | SCHRAUBE |
| 7 | 12523070/0 | 3 | RONDELLA | WASHER | RONDELLE | SCHIBE |
| 8 | 12155000/0 | 3 | DADO | NUT | ECROU | MUTTER |
| 9 | 22484070/0 | 1 | PARACALORE | MUFFLER GUARD | GRILLE DE PROTECTION | SCHUTZABDECKUNG |
| | | | IMPUGNATURA MANICO | HANDGRIP | POIGNÉE | HANDGRIFF |
| 10 | 22291050/0 | 1 | NERA | BLACK | NOIRE | SCHWARZER |
| — | 22291051/0 | 1 | ROSSA | RED | ROUGE | RÖTER |
| — | 22291052/0 | 1 | GIALLA | YELLOW | JAUNE | GELBER |
| 21 | 22465605/0 | 1 | MOZZO GIRANTE | HUB FAN | MOYEU VENTILATEUR | LÄUFENDENABE |
| 22 | 12139100/0 | 1 | LINGUETTA | FEATHER | CLAVETTE | KEIL |
| 23 | 22245080/0 | 1 | GIRANTE | FAN | VENTILATEUR | LUEFTER |
| 24 | 22465604/0 | 1 | MOZZO | HUB | MOYEU | HALTER |
| 25 | | | COLTELLO | BLADE | LAME | MESSER |
| — | 81004396/0 | 1 | ALETTATO 41 cm. | WINGED 41 cm. | AILETTÉE 41 cm. | FLÜGEL 41 cm. |
| — | 81004341/2 | 1 | STANDARD 41 cm. | STANDARD 41 cm. | STANDARD 41 cm. | STANDARD 41 cm. |

| Pos. Nr. | Code Code Kodex | Q.tà Q.ty-Q.tè Menge | Descrizione | Description | Description | Beschreibung |
|----------|-----------------|----------------------|----------------------------------|----------------------------------|----------------------------------|---------------------------------|
| — | 81004397/0 | 1 | ALETTATO 46 cm. | WINGED46 cm. | AILETTÉE 46 cm. | FLÜGEL46 cm. |
| — | 81004346/2 | 1 | STANDARD 46 cm. | STANDARD 46 cm. | STANDARD 46 cm. | STANDARD 46 cm. |
| 26 | 22160400/0 | 1 | DISCO ELASTICO | ELASTIC WASHER | RONDELLE ELASTIQUES | ELASTISCHE SCHEIBE |
| 27 | 12523080/0 | 1 | RONDELLA | WASHER | RONDELLE | SCHEIBE |
| 28 | 12736820/0 | 1 | VITE | SCREW | VIS | SCHRAUBE |
| 31 | 22600023/2 | 1 | PARASASSI | STONE-GUARD | PARE-PIERRES | PRALLBLECH |
| 32 | 22517907/0 | 1 | PERNO | PIN | PIVOT | BOLZEN |
| 33 | 22450270/0 | 1 | MOLLA | SPRING | RESSORT | FEDER |
| 41 | 81007020/0 | 1 | PARTE SUPERIORE MANICO | UPPER HANDLE | PARTIE SUP. MANCHERON | OVERHOLM |
| 42A | 81006917/0 | 1 | MANICO INFERIORE SX | LEFT LOWER HANDLE | PARTIE INF. MANCHERON G. | LINKER UNTERHOLM |
| 42 | 81007015/0 | 1 | MANICO INFERIORE DX | RIGHT LOWER HANDLE | PARTIE INF. MANCHERON D. | RECHTER UNTERHOLM |
| 43 | 22430309/0 | 2 | MOLLA | SPRING | RESSORT | FEDER |
| 44 | 12154330/0 | 2 | DADO | NUT | ECROU | MUTTER |
| 45 | 18566110/0 | 2 | PUNTALE | CAP | BOUCHON | GUMMISTOPFEN |
| 46 | 22600042/0 | 1 | PROTEZ. MANICO DX | RIGHT HANDLE PROT. | PROT. MANCHERON DROITE | RECHTER HOLMSCHUTZ |
| 47 | 22600043/0 | 1 | PROTEZ. MANICO SX | LEFT HANDLE PROT. | PROT. MANCHERON GAUCHE | LINKER HOLMSCHUTZ |
| 48 | 12691400/0 | 2 | VITE | SCREW | VIS | SCHRAUBE |
| 49 | 12691900/0 | 2 | VITE | SCREW | VIS | SCHRAUBE |
| 50 | 12521350/0 | 4 | RONDELLA | WASHER | RONDELLE | SCHEIBE |
| 51 | 22551632/1 | 2 | PIASTRINA FISSAGGIO MANICO | PLATE FOR HANDLE FASTENING | PLAQUETTE FIXAGE MANCHERON | HOLMBEFESTIGUNG PLÄTTCHEN |
| 52 | 12819120/0 | 2 | VITE | SCREW | VIS | SCHRAUBE |
| 53 | 22680006/1 | 2 | ROSETTA | WASHER | RONDELLE | SCHEIBE |
| 54 | 22399900/0 | 2 | MANOPOLINA | KNOB | POIGNÉE | GRIFF |
| 55 | 12293200/0 | 2 | DADO | NUT | ECROU | MUTTER |
| 56 | — | — | CRUSCOTTO | DASH BOARD | CONSOLE | KONSOLE |
| — | 22120150/0 | 1 | ROSSO | RED | ROUGE | ROTE |
| — | 22120148/0 | 1 | GIALLO | YELLOW | JAUNE | GELBE |
| — | 22120164/0 | 1 | NERO | BLACK | NOIRE | SCHWARZE |
| 57 | 22943006/0 | 1 | VITE | SCREW | VIS | SCHRAUBE |
| 58 | 12728460/0 | 1 | VITE | SCREW | VIS | SCHRAUBE |
| 59 | 81007138/0 | 1 | ASSIEME ACCELERATORE | TROTTLER UNIT ASS.Y | ENS. ACCELERATEUR | BESCHLEUNIGER SATZ |
| 60 | 22399801/0 | 1 | MANOPOLINA | KNOB | POIGNÉE | GRIFF |
| 61 | 12726388/0 | 1 | VITE | SCREW | VIS | SCHRAUBE |
| 62 | 12290800/0 | 1 | DADO | NUT | ECROU | MUTTER |
| 63 | 12788910/0 | 2 | VITE | SCREW | VIS | SCHRAUBE |
| 64 | 12523020/0 | 2 | RONDELLA | WASHER | RONDELLE | SCHEIBE |
| 65 | 12581500/0 | 2 | GROWER | GROWER | GROWER | FEDERRING |
| 66 | 12291000/0 | 2 | DADO | NUT | ECROU | MUTTER |
| 67 | 81003291/2 | 1 | ASS. LEVA FRENO MOTORE | BRAKE LEVER ASS.Y | ENS. LEVIER FREIN MOTEUR | MOTORBREMSEHEBEL |
| 68 | 22041966/0 | 2 | BUSSOLA | BUSH | DOUILLE | BUCHSE |
| 69 | — | — | ASS. CAVO FRENO MOTORE | THREAD MOTOR ASS.Y | CABLE FREIN MOTEUR | MOTORBREMSEKABEL |
| — | 81001106/2 | 1 | T 434 (QUANTUM XM) | T 434 (QUANTUM XM) | T 434 (QUANTUM XM) | T 434 (QUANTUM XM) |
| — | 81000622/2 | 1 | T 434-T 484 (TECUMSEH) | T 434-T 484 (TECUMSEH) | T 434-T 484 (TECUMSEH) | T 434-T 484 (TECUMSEH) |
| — | 81001105/1 | 1 | T 484 (QUANTUM XM-ES 40) | T 484 (QUANTUM XM-ES 40) | T 484 (QUANTUM XM-ES 40) | T 484 (QUANTUM XM-ES 40) |
| — | 81000639/0 | 1 | T 484 (HONDA GCV 135/160) | T 48 (HONDA GCV 135/160) | T 48 (HONDA GCV 135/160) | T 48 (HONDA GCV 135/160) |
| — | 81000621/1 | 1 | T 484 T 434 (SPRINT 375/QUATTRO) | T 484 T 434 (SPRINT 375/QUATTRO) | T 484 T 434 (SPRINT 375/QUATTRO) | T 484 T 434 (SPRINT375/QUATTRO) |
| 70 | — | — | ETICHETTA (TECUMSEH) | LABEL (TECUMSEH) | ETIQUETTE (TECUMSEH) | ETIKETTE (TECUMSEH) |
| — | 14356692/0 | 1 | (B&S) | (B&S) | (B&S) | (B&S) |
| — | 14356693/0 | 1 | ASSE RUOTE ANT. | FRONT WHEELS AXLE | AXE ROUES AVANT | VORDERRADACHSE |
| — | 81001408/0 | 1 | T 434 | T 434 | T 434 | T 434 |
| — | 81001410/0 | 1 | T 484 | FRONT WHEELS AXLE T 484 | AXE ROUES AVANT T 484 | T 484 |
| 72 | 22321502/0 | 1 | LEVA REGOLAZIONE | ADJUSTMENT LEVER | LEVIER REGLAGE | VERSTELLUNGHEBEL |
| 73 | 22400000/1 | 2 | MANOPOLINA | KNOB | POIGNÉE | GRIFF |
| 74 | 22519510/0 | 1 | PERNO | PIN | PIVOT | BOLZEN |
| 75 | 12691100/0 | 1 | VITE | SCREW | VIS | SCHRAUBE |
| 76 | 22170950/0 | 1 | DISTANZIALE DX | RIGHT SPACER | ENTRETOISE DROITE | RECHTER DISTANZRING |
| 77 | 22170940/0 | 1 | DISTANZIALE SX | LEFT SPACER | ENTRETOISE GAUCHE | LINKER DISTANZRING |
| 78 | 12523060/0 | 2 | ROSETTA | WASHER | RONDELLE | SCHEIBE |
| 79 | 12155000/0 | 2 | DADO | NUT | ECROU | MUTTER |
| 80 | 81001406/0 | 1 | ASSE RUOTE POST. | REAR WHEELS AXLE | AXE ROUES ARRIERE | HINTERRADACHSE |
| 81 | 22545152/0 | 2 | PIASTRINA | PLATE | PLAQUETTE | PLÄTTCHEN |
| 82 | 12735402/0 | 4 | VITE | SCREW | VIS | SCHRAUBE |
| 83 | 22321497/0 | 1 | LEVA REGOLAZIONE | ADJUSTMENT LEVER | LEVIER REGLAGE | VERSTELLUNGHEBEL |
| 84 | 12609260/0 | 1 | ANELLO ARRESTO | RING | ANNEAU DE TENNUE | RING |
| 85 | 81007317/0 | 2 | RUOTA SCOLPITA Ø 170 | KNOBBLY WHEEL Ø 170 | ROUE SCULPTEE Ø 170 | RAD M. STOLLENPR. Ø 170 |
| 86 | 81007318/1 | 2 | RUOTA SCOLPITA Ø 210 | KNOBBLY WHEEL Ø 210 | ROUE SCULPTEE Ø 210 | RAD M. STOLLENPR. Ø 210 |
| 87 | 22122200/0 | 8 | CUSCINETTO | BEARING | COUSSINET | KUGELLAGER |
| 88 | 12530150/0 | 4 | ROSETTA ELASTICA | ELASTIC WASHER | RONDELLE ELASTIQUE | ELASTISCHE SCHEIBE |
| 89 | 12521350/0 | 4 | ROSETTA | WASHER | RONDELLE | SCHEIBE |
| 90 | 12155000/0 | 4 | DADO | NUT | ECROU | MUTTER |
| 91 | — | — | COPRIMOZZO | HUB CAP | COUVRE-MOYEU | RADKAPPE |
| — | 22110282/0 | 2 | BIANCO | WHITE | BLANC | WEIßE |
| — | 22110288/0 | 2 | GIALLO | YELLOW | JAUNE | GELBE |
| — | 22110290/0 | 2 | ROSSO | RED | ROUGE | ROTE |
| 92 | — | — | COPRIMOZZO | HUB CAP | COUVRE-MOYEU | RADKAPPE |
| — | 22110281/0 | 2 | BIANCO | WHITE | BLANC | WEIßE |
| — | 22110287/0 | 2 | GIALLO | YELLOW | JAUNE | GELBE |
| — | 22110289/0 | 2 | ROSSO | RED | ROUGE | ROTE |
| 101 | 96400000/0 | 1 | ASS. SACCO IN TELA | CANVASS GRASSCATCHER ASS.Y | ENSEMBLE SAC EN TOILE | KOMPLETTER SACK |
| 102 | 81006430/0 | 1 | TELAIO | CHASSIS | CHÂSSIS | RAHMEN |
| 103 | 81002124/1 | 1 | TELA SACCO | FABRIC BOX | TOILE POUR SAC | TUCK FÜR SACK |
| 111 | 96500000/0 | 1 | SACCO COMPLETO | COMPLETE GRASS-BOX | SAC COMPLET | KOMPLETTER KORB |
| 112 | 22486065/0 | 1 | PARTE SUP. SACCO | UPPER GRASS-BOX | PARTIE SUP. SAC | OVERKORB |
| 113 | 22486064/0 | 1 | PARTE INF. SACCO | LOWER GRASS-BOX | PARTIE INF. SAC | UNTERKORB |
| — | 81008606/0 | 1 | DOTAZIONE VITERIA | SCREWS OUTFIT | DOTATION VISSERIE | SCHRAUBEN SATZ |
| — | 81008499/1 | 1 | DOTAZIONE CRUSCOTTO | DASH-BOARD OUTFIT | DOTATION CONSOLE | KONSOLE SATZ |