

TD 484 TR

TD 484 TR-E

TD 534 TR

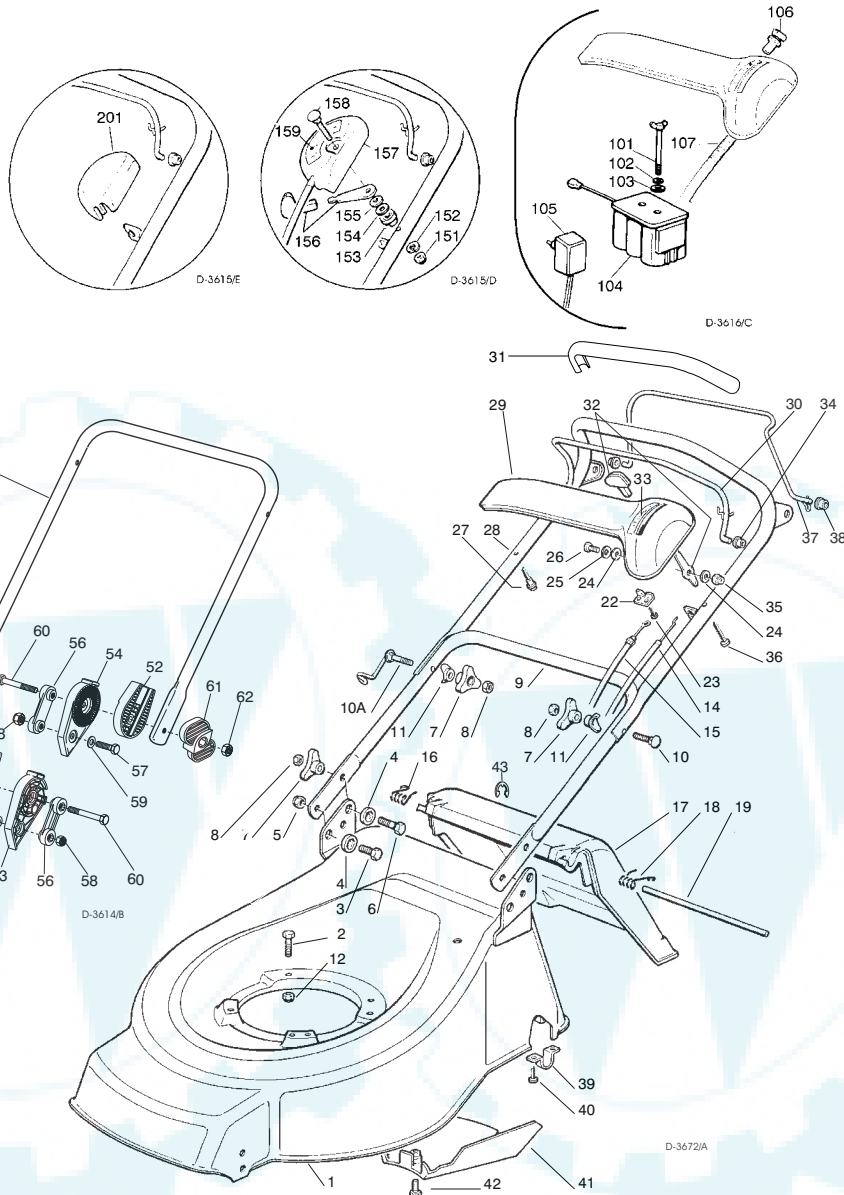
TD 534 TR-E

CHASSIS
MANICO
COMANDI
DOTAZIONE VITERIE

DECK
HANDLE
CONTROLS
SCREWS OUTFITS

CHÂSSIS
MANCHERON
COMMANDES
DOTATION VISSERIE

GEHÄUSE
HOLM
BETÄTIGUNGEN
SCRAUBENSATZ



SPARE PARTS CATALOGUE

ERSATZTEILKATALOG

GB

D

CATALOGO DELLE PARTI
DI RICAMBIO

CATALOGUE DES PIÈCES
DE RECHANGE

I

F

T-3672/A

Pos. Nr.	Codice Code Kodex	Q.tà Q.ty-Q.tè Menge	Descrizione	Description	Description	Beschreibung
1			CHASSIS	DECK	CHÂSSIS	GEHÄUSE
—	81001642/0	1	ROSSO TD 484 TR	RED TD 484 TR	ROUGE TD 484 TR	ROTES TD 484 TR
—	81001643/0	1	GIALLO TD484 TR	YELLOW TD 484 TR	JAUNE TD 484 TR	GELBES TD 484 TR
—	81001644/0	1	VERDE TD 484 TR	GREEN TD 484 TR	VERT TD 484 TR	GRÜNES TD 484 TR
—	81001663/0	1	ROSSO TD 484 TR-E	RED TD 484 TR-E	ROUGE TD 484 TR-E	ROTES TD 484 TR-E
—	81001664/0	1	GIALLO TD 484 TR-E	YELLOW TD 484 TR-E	JAUNE TD 484 TR-E	GELBES TD 484 TR-E
—	81001665/0	1	VERDE TD 484 TR-E	GREEN TD 484 TR-E	VERT TD 484 TR-E	GRÜNES TD 484 TR-E
—	81001738/0	1	ROSSO TD 534 TR	RED TD 534 TR	ROUGE TD 534 TR	ROTES TD 534 TR
—	81001739/0	1	GIALLO TD 534 TR	YELLOW TD 534 TR	JAUNE TD 534 TR	GELBES TD 534 TR
—	81001740/0	1	VERDE TD 534 TR	GREEN TD 534 TR	VERT TD 534 TR	GRÜNES TD 534 TR
—	81001741/0	1	ROSSO TD 534 TR-E	RED TD 534 TR-E	ROUGE TD 534 TR-E	ROTES TD 534 TR-E
—	81001742/0	1	GIALLO TD 534 TR-E	YELLOW TD 534 TR-E	JAUNE TD 534 TR-E	GELBES TD 534 TR-E
—	81001743/0	1	VERDE TD 534 TR-E	GREEN TD 534 TR-E	VERT TD 534 TR-E	GRÜNES TD 534 TR-E
2			VITE	SCREW	VIS	SCHRAUBE
—	12793700/0	3/2	(M8X30)	(M8X30)	(M8X30)	(M8X30)
—	12691800/0	0/1	(M8X60)	(M8X60)	(M8X60)	(M8X60)
3	12792610/0	2	VITE	SCREW	VIS	SCHRAUBE
4	22041955/0	4	BUSSOLA	BUSH	DOUILLE	BUCHSE
5	12155000/0	2	DADO	NUT	ECROU	MUTTER
6	12793700/0	2	VITE	SCREW	VIS	SCHRAUBE
7	22399900/0	4	MANOPOLINA	KNOB	POIGNÉE	GRIF
8	12293200/0	4	DADO	NUT	ECROU	MUTTER
9	81006512/0	1	PORTE INF. MANICO	LOWER HANDLE	PARTIE INF. MANCHERON	UNTERHOLM

Pos. Nr.	Code Code Kodex	Q.tà Q.ty-Q.tè Menge	Descrizione	Description	Description	Beschreibung
10	12819201/0	1	VITE	SCREW	VIS	SCHRAUBE
10A	81003801/0	1	MOLLA GUIDA	SPRING	RESSORT	FEDER
11	22680006/1	2	RONDELLA	WASHER	RONDELLE	SCHEIBE
12	12293201/0	3/2	DADO	NUT	ECROU	MUTTER
—	12155000/0	0/1	DADO	NUT	ECROU	MUTTER
14	81007160/0	1	CAVO ACCELERATORE	THROTTLE CABLE	CABLE ACCELERATEUR	BESCHLEUNIGER KABEL
15	☛		CAVO FRENO MOTORE	THREAD MOTOR BRAKE	CABLE FREIN MOTEUR	MOTORBREMSEKABEL
—	81000633/0	1	TD 434 (QUANTUM XM)	TD 434 (QUANTUM XM)	TD 434 (QUANTUM XM)	TD 434 (QUANTUM XM)
—	81000623/1	1	TD 434-484 (TECUMSEH)	TD 434-484 (TECUMSEH)	TD 434-484 (TECUMSEH)	TD 434-484 (TECUMSEH)
—	81000631/0	1	TD 484 (QUANTUM XM-ES 40)	TD 484 (QUANTUM XM-ES 40)	TD 484 (QUANTUM XM-ES 40)	TD 484 (QUANTUM XM-ES 40)
—	81000625/0	1	TD 484 (SPRINT 375/QUATTRO)	TD 484 (SPRINT 375/QUATTRO)	TD 484 (SPRINT 375/QUATTRO)	TD 484 (SPRINT 375/QUATTRO)
—	81000641/0	1	TD 484 (HONDA GCV 135/160)	TD 484 (HONDA GCV 135/160)	TD 484 (HONDA GCV 135/160)	TD 484 (HONDA GCV 135/160)
—	81000642/0	1	TD 534 (QUANTUM XM-ES 40)	TD 534 (QUANTUM XM-ES 40)	TD 534 (QUANTUM XM-ES 40)	TD 534 (QUANTUM XM-ES 40)
—	81000643/0	1	TD 534 (SPRINT 375/QUATTRO)	TD 534 (SPRINT 375/QUATTRO)	TD 534 (SPRINT 375/QUATTRO)	TD 534 (SPRINT 375/QUATTRO)
—	81000644/0	1	TD 534 (TECUMSEH)	TD 534 (TECUMSEH)	TD 534 (TECUMSEH)	TD 534 (TECUMSEH)
—	81000640/0	1	TD 534 (HONDA GCV 135/160)	TD 534 (HONDA GCV 135/160)	TD 534 (HONDA GCV 135/160)	TD 534 (HONDA GCV 135/160)
16	22450410/1	1	MOLLA DX	RIGHT SPRING	RESSORT DROITE	RECHTE FEDER
17	22600028/4	1	PARASASSI	STONE-GUARD	PARE-PIERRES	PRALLBLECH
18	22450420/1	1	MOLLA SX	LEFT SPRING	RESSORT GAUCHE	LINKE FEDER
19	22517906/1	1	PERNO	PIN	PIVOT	BOLZEN
22	22981467/0	1	PIASTRINA	PLAQUE	PLAQUETTE	PLATTE
23	12735105/0	2	VITE	SCREW	VIS	SCHRAUBE
24	12523040/0	2	RONDELLA	WASHER	RONDELLE	SCHEIBE
25	12530060/0	1	RONDELLA ELASTICA	SPRING WASHER	RONDELLE ELASTIQUE	ELASTISCHE SCHEIBE
26	12791500/0	1	VITE	SCREW	VIS	SCHRAUBE
27	22943006/0	1	VITE	SCREW	VIS	SCHRAUBE
28	81007024/0	1	PARTE SUP. MANICO	UPPER HANDLE	PARTIE SUP. MANCHERON	OBERHOLM
29	☛		CRUSCOTTO	DASH BOARD	CONSOLE	KONSOLE
—	22120154/0	1	ROSSO	RED	ROUGE	ROTE
—	22120152/0	1	GIALLO	YELLOW	JAUNE	GELBE
—	22120158/0	1	NERO	BLACK	NOIRE	SCHWARZE
30	81003291/2	1	LEVA FRENO MOTORE	BRAKE LEVER	LEVIER FREIN MOTEUR	MOTORBREMSEHEBEL
31	☛		IMPUGNATURA MANICO	HANDGRIP	POIGNÉE	HANDGRIFF
—	22291050/0	1	NERA	BLACK	NOIRE	SCHWARZER
—	22291051/0	1	ROSSA	RED	ROUGE	RÖTER
—	22291052/0	1	GIALLA	YELLOW	JAUNE	GELBER
32	81007280/2	1	ASS. LEVA + MANOPOLINA	LEVER + KNOB ASS. Y	ENS. LEVIER + POIGNÉE	HEBEL + GRIFF SATZ
33	☛		ETICHETTA	LABEL	ETIQUETTE	ETIKETTE
—	14356743/0	1	(TECUMSEH-HONDA)	(TECUMSEH-HONDA)	(TECUMSEH-HONDA)	(TECUMSEH-HONDA)
—	14356744/0	1	(B&S)	(B&S)	(B&S)	(B&S)
34	22041966/0	1	BOCCOLA	BUSH	DOUILLE	BUCHSE
35	12154510/0	1	DADO	NUT	ECROU	MUTTER
36	12728460/0	1	VITE	SCREW	VIS	SCHRAUBE
37	81003288/1	1	LEVA TRAZIONE	DRIVING LEVER	LEVIER TRACTION	ANTRIEBHEBEL
38	22041965/0	2	BOCCOLA	BUSH	DOUILLE	BUCHSE
39	22545152/0	2	PIASTRINA	PLAQUE	PLAQUETTE	PLATTE
40	12731350/0	4	VITE	SCREW	VIS	SCHRAUBE
41	☛		CARTER	BELT PROTECTION	PROTECTION COURROIRE	RIEMENSCHUTZ
—	22060192/0	1	(TD 484 TR-E)	(TD 484 TR-E)	(TD 484 TR-E)	(TD 484 TR-E)
—	22060193/0	1	(TD 534 TR-E)	(TD 534 TR-E)	(TD 534 TR-E)	(TD 534 TR-E)
42	12727791/0	1	VITE	SCREW	VIS	SCHRAUBE
43	12000930/0	1	ANELLO ELASTICO	SNAP RING	ANNEAU RESSORT	SPRENGRING
—	81008614/1		DOTAZIONE VITERIA	SCREWS OUTFIT	DOTATION VISSERIE	SCHRAUBEN SATZ
—	81008609/0		DOTAZIONE CRUSCOTTO	DASH-BOARD OUTFIT	DOTATION CONSOLE	KONSOLE SATZ

VARIANTE REGOLAZIONE MANICO

HANDLE ADJUSTMENT VARIANT

VARIANTE REGLAGE POIGNEE

GRIFFEINSTELLVARIANTE

T-3615/B	51	81006510/0	1	PARTE INFR. MANICO	LOWER HANDLE	PARTIE INF. MANCHERON	UNTERHOLM
	52	22785081/0	2	SUPPORTO ESTERNO	EXTERNAL SUPPORT	SUPPORT EXTERNE	AUßERE HALTERUNG
	53	22785082/0	1	SUPPORTO INTERNO DX	R. INTERNAL SUPPORT	SUPPORT INTERNE DROIT	INNERE HALTERUNG RECHTS
	54	22785083/1	1	SUPPORTO INTERNO SX	L. INTERNAL SUPPORT	SUPPORT INTERNE GAUCHE	INNERE HALTERUNG LINKS
	56	22551575/0	2	PIASTRINA INTERNA	INSIDE PLAQUE	PLAQUETTE INTERNE	INNERE PLATTE
	57	12793701/0	2	VITE	SCREW	VIS	SCHRAUBE
	58	12155000/0	2	DADO	NUT	ECROU	MUTTER
	59	12521350/0	2	RONDELLA	WASHER	RONDELLE	SCHEIBE
	60	12691810/0	2	VITE	SCREW	VIS	SCHRAUBE
	61	22399803/0	2	MANOPOLINA	KNOB	POIGNÉE	GRIFF
	62	12293202/0	2	DADO	NUT	ECROU	MUTTER
—		81008623/0	1	DOTAZ. VITERIA	SCREWS OUTFIT	DOTATION VISSERIE	SCHRAUBEN SATZ

VARIANTI PER AVVIAMENTO ELETTRICO

PARTS FOR ELECTRIC START

COMPOSANTS POUR DÉMARRAGE ÉLECTRIQUE

ELEKTROSTART BESTANDTEILE

T-3615/C	101	22517855/0	2	PERNO	PIN	PIVOT	BOLZEN
	102	12523000/0	2	RONDELLA	WASHER	RONDELLE	SCHEIBE
	103	12540020/0	2	RONDELLA	WASHER	RONDELLE	SCHEIBE
	104	18120050/0	1	BATTERIA	BATTERY	BATTERIE	BATTERIE
	105	18204110/0	1	CARICA BATTERIA	BATTERY CHARGER	CHARGEUR DE BATTERIE	LADGERÄT
	106	18450050/0	1	INTERRUPTORE	SWITCH	INTERRUPTEUR	SCHALTER
	107	18204190/2	1	CAVO AVVIAMENTO	START CABLE	CABLE DÉMARRAGE	STARTKABEL

VARIANTE ACCELERATORE

THROTTLE VARIANTS

VARIANTES COMMANDE D'ACCELERATION

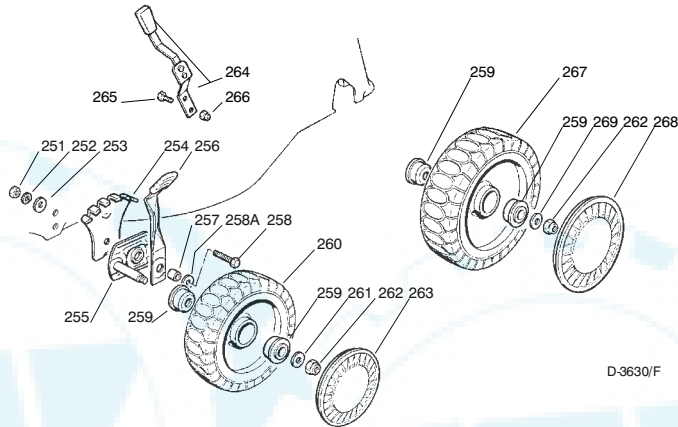
ÄNDERUNGEN AUF GASHEBEL

T-3615/D	151	12291000/0	1	DADO	NUT	ECROU	MUTTER
----------	-----	------------	---	------	-----	-------	--------

Pos. Nr.	Codice Code Kodex	Q.tà Q.ty-Q.tè Menge	Descrizione	Description	Description	Beschreibung
152	12581500/0	1	GROWER	GROWER	GROWER	FEDERRING
153	22171005/0	1	DISTANZIALE	SPACER	ENTRETOISE	DISTANZRING
154	12521360/0	1	RONDELLA	WASHER	RONDELLE	SCHEIBE
155	12508100/0	1	RONDELLA ELASTICA	SPRING WASHER	RONDELLE ELASTIQUE	ELASTISCHE SCHEIBE
156	81007279/1	1	ASS. LEVA+MANOPOLINA	LEVER+KNOB ASS.Y	ENS. LEVIER+POIGNEE	HEBEL+GRIFF SATZ
157	81007080/0	1	ASSIEME ACCELERATORE	TROTTLER UNIT ASS.Y	ENS. ACCELERATEUR	BESCHLEUNIGER SATZ
158	12815000/0	1	VITE	SCREW	VIS	SCHRAUBE
159			ETICHETTA	LABEL	ETIQUETTE	ETIKETTE
—	14356702/0	1	(TECUMSEH-HONDA)	(TECUMSEH-HONDA)	(TECUMSEH-HONDA)	(TECUMSEH-HONDA)
—	14356703/0	1	(B&S)	(B&S)	(B&S)	(B&S)
			VARIANTE REGIME FISSO	FIXED SPEED VARIANTS	VARIANTES POUR MODÈLE À REGIME FIXE	ÄNDERUNGEN FÜR MODELLE MIT FIXIERTER DREHZAHL
201	22601000/0		PROTEZIONE	PROTECTION	PROTECTION	SCHUTZ

T-3615/E

- RUOTE E REGOLAZIONE
- WHEELS AND HEIGHT ADJUSTING
- ROUES ET REGLAGE HAUTER DE COUPE
- RÄDER UND SCHNITTVERSTELLUNG

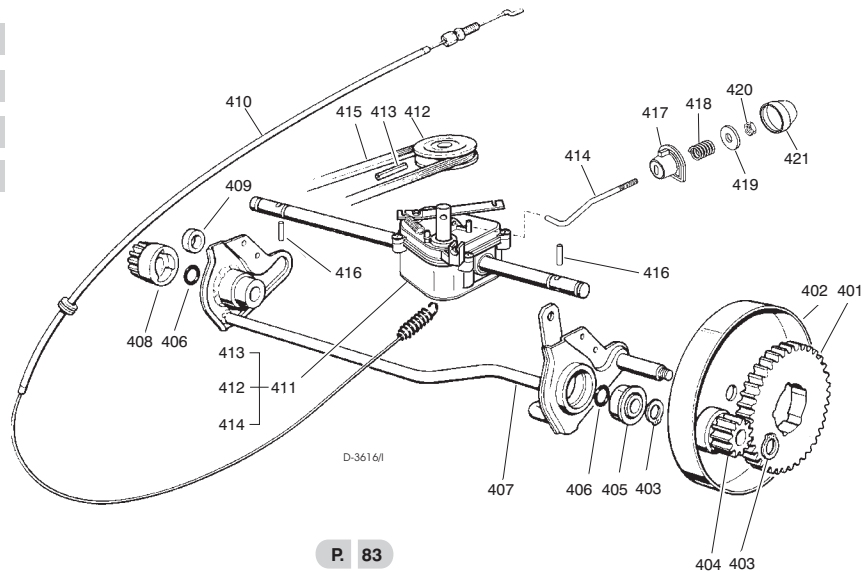
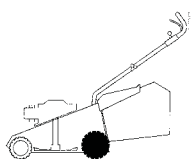


D-3630/F

251	12293200/0	2	DADO	NUT	ECROU	MUTTER
252	12583500/0	2	GROWER	GROWER	GROWER	FEDERRING
253	12523070/0	2	RONDELLA	WASHER	RONDELLE	SCHEIBE
254	22735547/0	2	SETTORE REGOLAZIONE	ADJUSTMENT SECTOR	SECTEUR REGLAGE	VERSTELLUNGSEKTOR
255	81005082/0	2	SUPPORTO RUOTA	WHEEL SUPPORT	SUPPORT ROUE	RADHALTER
256	81003285/0	2	LEVA REGOLAZIONE	ADJUSTMENT LEVER	LEVIER REGLAGE	VERSTELLUNGHEBEL
257	22171001/0	2	DISTANZIALE	SPACER	ENTRETOISE	DISTANZRING
258	12793701/0	2	VITE	SCREW	VIS	SCHRAUBE
258A	12521350/0	2	RONDELLA	WASHER	RONDELLE	SCHEIBE
259	22122200/0	8	CUSCINETTO	BEARING	ROULEMENT	KUGELLAGER
260	81007317/0	2	RUOTA SCOLPITA Ø 170	KNOBBLY WHEEL Ø 170	ROUE SCULPTEE Ø 170	RAD M. STOLLENPR. Ø 170
261	12521350/0	2	RONDELLA	WASHER	RONDELLE	SCHEIBE
262	12155000/0	4	DADO	NUT	ECROU	MUTTER
263			COPRIMOZZO	HUB CAP	COUVRE-MOYEU	RADKAPPE
—	22110282/0	2	BIANCO	WHITE	BLANC	WEIÙE
—	22110288/0	2	GIALLO	YELLOW	JAUNE	GELBE
—	22110290/0	2	ROSSO	RED	ROUGE	ROTE
264	81003279/2	1	LEVA REGOLAZIONE	ADJUSTMENT LEVER	LEVIER REGLAGE	VERSTELLUNGHEBEL
266	12154330/0	2	DADO	NUT	ECROU	MUTTER
267	81007318/1	2	RUOTA SCOLPITA Ø 210	KNOBBLY WHEEL Ø 210	ROUE SCULPTEE Ø 210	RAD M. STOLLENPR. Ø 210
268			COPRIMOZZO	HUB CAP	COUVRE-MOYEU	RADKAPPE
—	22110281/0	2	BIANCO	WHITE	BLANC	WEIÙE
—	22110287/0	2	GIALLO	YELLOW	JAUNE	GELBE
—	22110289/0	2	ROSSO	RED	ROUGE	ROTE
269	12369500/0	2	DISCO ELASTICO	ELASTIC DISK	RONDELLE ELASTIQUE	SCHEIBE

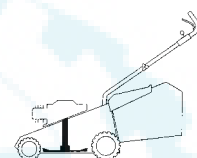
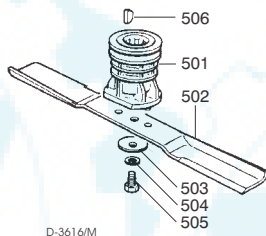
T-3630/F

- GRUPPO TRAZIONE
- REAR DRIVE
- GROUPE TRACTION
- ANTRIEB



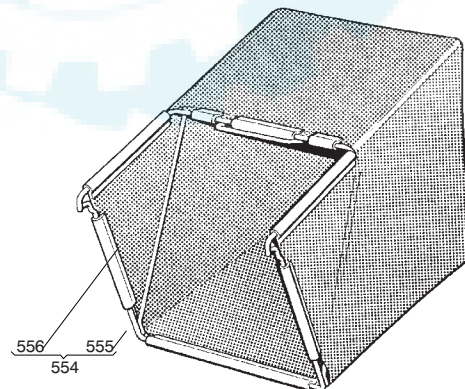
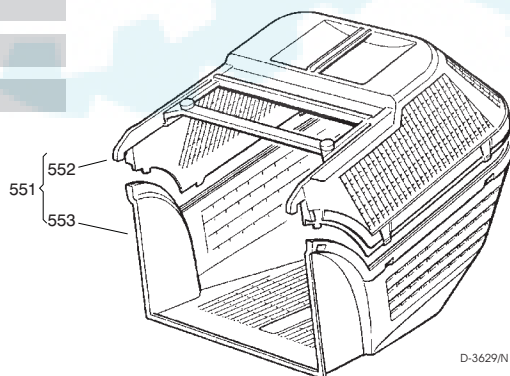
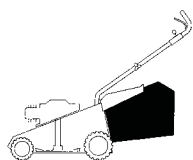
Pos. Nr.	Codice Code Kodex	Q.tà Q.ty-Q.tè Menge	Descrizione	Description	Description	Beschreibung	
T-3632/I	401	22120105/1	2	CORONA	RING GEAR	COURONNE	KRANZ
	402	81006846/0	2	PROTEZIONE RUOTE	WHEEL GUARD	PROTECTION ROUE	RÄDERSCHUTZ
	403	12608600/0	4	SEEGER	SEEGER	SEEGER	SEEGER
	404	22570120/0	1	PIGNONE SINISTRO	LEFT PINION	PIGNON GAUCHE	LINKES RITZEL
	405	22122200/0	2	CUSCINETTO	BEARING	COUSSINET	LAGER
	406	12019900/0	2	ANELLO OR	OR RING	BAGUE OR	RING OR
	407	81001252/1	1	ASSE RUOTE POSTERIORE	REAR WHEELS AXLE	AXE ROUES ARRIERE	HINTERRADACHSE
	408	22570110/0	1	PIGNONE DESTRO	RIGHT PINION	PIGNON DROITE	RECHTES RITZEL
	409	22170800/0	1	DISTANZIALE	SPACER	ENTRETOISE	DISTANZRING
	410	81001143/0	1	ASS. COMANDO TRAZIONE	REAR DRIVE ASS.Y	ENS. COMMANDE TRACTION	ANTRIEBKABEL
	411	81003059/0	1	ASS. GRUPPO TRAZIONE (PLASTICA)	GEAR BOX ASS.Y (PLASTIC)	ENS. GROUPE TRACTION (PLASTIQUE)	ANTRIEBSATZ (KUNSTSTOFF)
	—	81003060/0	1	(ALLUMINIO)	(ALUMINIUM)	(ALUMINIUM)	(ALUMINIUM)
	412	22601904/0	1	PULEGGIA 4 KM/H	PULLEY 4 KM/H	POULIE 4 KM/H	RIEMENSCHLEIBE 4 KM/H
	413	12645705/0	1	SPINA	PIN	GOUPILLE	STIFT
	414	22033280/0	1	ASTA REGOLAZIONE	ADJUSTMENT ROD	TIGE REGLAGE	VERSTELLUNGSTANGE
	415	35063800/0	1	CINGHIA	BELT	COURROIE	RIEMEN
	—	35063902/0	1	Z 27 (TD 484 TR-E)	Z 27 (TD 484 TR-E)	Z 27 (TD 484 TR-E)	Z 27 (TD 484 TR-E)
	416	22753000/0	2	SPINA	PIN	GOUPILLE	STIFT
	417	22041957/0	1	BUSSOLA	BUSH	DOUILLE	BÜCHSE
	418	22450063/0	1	MOLLA	SPRING	RESSORT	FEDER
419	22680009/0	1	RONDELLA	WASHER	RONDELLE	SCHEIBE	
420	12154510/0	1	DADO	NUT	ECROU	MUTTER	
421	22110230/0	1	TAPPO	CAP	BOUCHON	GUMMISTOPFEN	

- GRUPPO COLTELLO
- BLADE ASS.Y
- GROUPE LAME
- MESSERSATZ



T-3624/M	501	22465607/0	1	MOZZO CON PULEGGIA	HUB WITH PULLEY	MOYEU AVEC POULIE	NABE MIT SCHEIBE
	502	81004346/2	1	COLTELLO	BLADE	LAME	MESSER
	—	81004397/0	1	STANDARD 46 cm	STANDARD 46 cm	STANDARD 46 cm	STANDARD 46 cm
	—	81004397/0	1	ALETTATO 46 cm	WINGED 46 cm	AILETTÉE 46 cm	FLÜGEL 46 cm
	—	81004381/0	1	STANDARD 51 cm	STANDARD 51 cm	STANDARD 51 cm	STANDARD 51 cm
	—	81004398/0	1	ALETTATO 51 cm	WINGED 51 cm	AILETTÉE 51 cm	FLÜGEL 51 cm
	503	22160400/0	1	RONDELLA ELASTICA	SPRING WASHER	RONDELLE ELASTIQUE	ELASTISCHE SCHEIBE
	504	12523080/0	1	RONDELLA	WASHER	RONDELLE	SCHEIBE
	505	12735698/0	1	VITE	SCREW	VIS	SCHRAUBE
	506	12139100/0	1	LINGUETTA	FEATHER	CLAVETTE	KEIL

- SACCO RACCOLTIERBA
- GRASS-CATCHER
- BAC DE RAMASSAGE
- GRASFANGKORB



T-3629/N	551	94004000/1	1	SACCO COMPLETO	COMPLETE GRASS-BOX	SAC COMPLET	KOMPLETTER KORB
	552	22486073/0	1	PARTE SUP. SACCO	UPPER GRASS BOX	PARTIE SUP. SAC	OBERSKORB
	553	22486074/0	1	PARTE INF. SACCO	LOWER GRASS BOX	PARTIE INF. SAC	UNTERS KORB
	554	94005000/0	1	ASS. SACCO IN TELA	CANVASS GRASSCATCHER ASS.Y	ENSEMBLE SAC EN TOILE	KOMPLETTER SACK
	555	81006418/0	1	TELAIO	CHASSIS	CHÂSSIS	RAHMEN
	556	81002105/2	1	TELA SACCO	FABRIC BOX	TOILE POUR SAC	TUCK FÜR SACK