

TDL 434

TDL 484

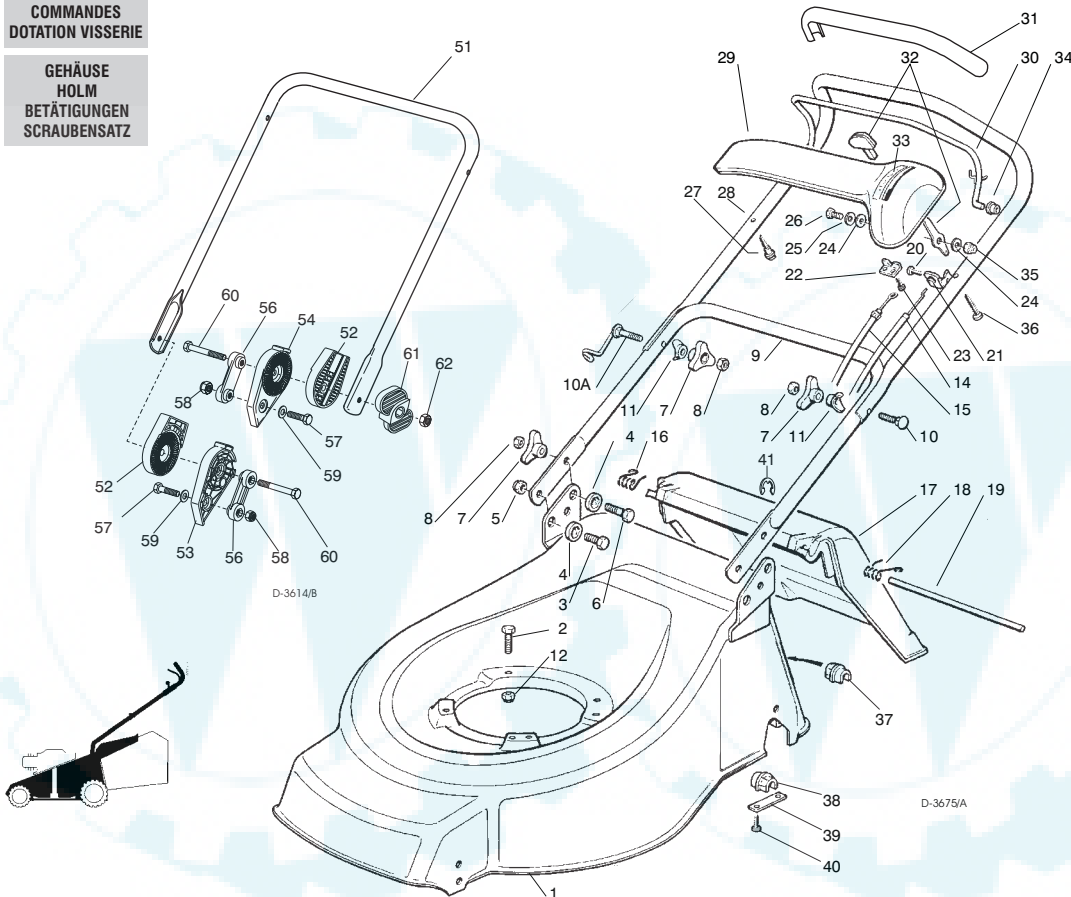
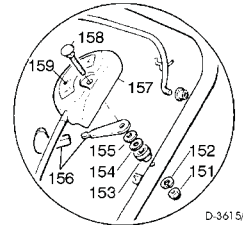
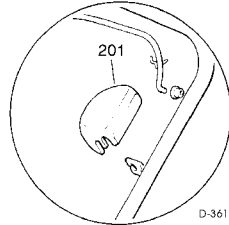
TDL 534

CHASSIS
MANICO
COMANDI
DOTAZIONE VITERIE

DECK
HANDLE
CONTROLS
SCREWS OUTFITS

CHÂSSIS
MANCHERON
COMMANDES
DOTATION VISSERIE

GEHÄUSE
HOLM
BETÄTIGUNGEN
SCRAUBENSATZ



SPARE PARTS CATALOGUE

ERSATZTEILKATALOG

GB

D

CATALOGO DELLE PARTI
DI RICAMBIO

CATALOGUE DES PIÈCES
DE RECHANGE

I

F

T-3675/A

| Pos. Nr. | Codice Code Kodex | Q.tà Q.ty-Q.tè Menge | Descrizione | Description | Description | Beschreibung |
|----------|-------------------|----------------------|----------------|----------------|---------------|----------------|
| 1 | | 1 | CHASSIS | DECK | CHÂSSIS | GEHÄUSE |
| — | 81001343/1 | 1 | ROSSO TDL 434 | RED TDL 434 | OUGE TDL 434 | ROTES TDL 434 |
| — | 81001353/1 | 1 | GIALLO TDL 434 | YELLOW TDL 434 | JAUNE TDL 434 | GELBES TDL 434 |
| — | 81001375/1 | 1 | VERDE TDL 434 | GREEN TDL 434 | VERT TDL 434 | GRÜNES TDL 434 |
| — | 81001344/0 | 1 | ROSSO TDL 484 | RED TDL 484 | OUGE TDL 484 | ROTES TDL 484 |
| — | 81001355/0 | 1 | GIALLO TDL 484 | YELLOW TDL 484 | JAUNE TDL 484 | GELBES TDL 484 |
| — | 81001377/0 | 1 | VERDE TDL 484 | GREEN TDL 484 | VERT TDL 484 | GRÜNES TDL 484 |
| — | 81001744/0 | 1 | ROSSO TDL 534 | RED TDL 534 | ROUGE TDL 534 | ROTES TDL 534 |
| — | 81001745/0 | 1 | GIALLO TDL 534 | YELLOW TDL 534 | JAUNE TDL 534 | GELBES TDL 534 |
| — | 81001746/0 | 1 | VERDE TDL 534 | GREEN TDL 534 | VERT TDL 534 | GRÜNES TDL 534 |
| 2 | | | VITE | SCREW | VIS | SCHRAUBE |
| — | 12793700/0 | 3/2 | (M8X30) | (M8X30) | (M8X30) | (M8X30) |
| — | 12691800/0 | 0/1 | (M8X60) | (M8X60) | (M8X60) | (M8X60) |
| 3 | | 2 | VITE | SCREW | VIS | SCHRAUBE |
| 4 | | 4 | BUSSOLA | BUSH | DOUILLE | BUCHSE |
| 5 | | 2 | DADO | NUT | ECROU | MUTTER |
| 6 | | 2 | VITE | SCREW | VIS | SCHRAUBE |
| 7 | | 4 | MANOPOLINA | KNOB | POIGNÉE | GRIFF |
| 8 | | 4 | DADO | NUT | ECROU | MUTTER |

| Pos. Nr. | Code Code Kodex | Q.tà Q.ty-Q.tè Menge | Descrizione | Description | Description | Beschreibung |
|----------|-----------------|----------------------|------------------------------|------------------------------|------------------------------|------------------------------|
| 9 | 81006512/0 | 1 | PORTE INF. MANICO | LOWER HANDLE | PARTIE INF. MANCHERON | UNTERHOLM |
| 10 | 12819201/0 | 1 | VITE | SCREW | VIS | SCHRAUBE |
| 10A | 81003801/0 | 1 | MOLLA GUIDA | SPRING | RESSORT | FEDER |
| 11 | 22680006/1 | 2 | RONDELLA | WASHER | RONDELLE | SCHEIBE |
| 12 | 12293201/0 | 3/2 | DADO | NUT | ECROU | MUTTER |
| — | 12155000/0 | 0/1 | DADO | NUT | ECROU | MUTTER |
| 13 | 123792610/0 | 2 | VITE | SCREW | VIS | SCHRAUBE |
| 14 | 81007160/0 | 1 | CAVO ACCELERATORE | THROTTLE CABLE | CABLE ACCELERATEUR | BESCHLEUNIGER KABEL |
| 15 | ☛ | | CAVO FRENO MOTORE | THREAD MOTOR BRAKE | CABLE FREIN MOTEUR | MOTORBREMSKABEL |
| — | 81000633/0 | 1 | TDL 434 (QUANTUM XM) | TDL 434 (QUANTUM XM) | TDL 434 (QUANTUM XM) | TDL 434 (QUANTUM XM) |
| — | 81000623/1 | 1 | TDL 434-484 (TECUMSEH) | TDL 434-484 (TECUMSEH) | TDL 434-484 (TECUMSEH) | TDL 434-484 (TECUMSEH) |
| — | 81000631/0 | 1 | TDL 484 (QUANTUM XM-ES 40) | TDL 484 (QUANTUM XM-ES 40) | TDL 484 (QUANTUM XM-ES 40) | TDL 484 (QUANTUM XM-ES 40) |
| — | 81000625/0 | 1 | TDL 484 (SPRINT 375/QUATTRO) | TDL 484 (SPRINT 375/QUATTRO) | TDL 484 (SPRINT 375/QUATTRO) | TDL 484 (SPRINT 375/QUATTRO) |
| — | 81000638/8 | 1 | TDL 484 (HONDA GV 100) | TDL 484 (HONDA GV 100) | TDL 484 (HONDA GV 100) | TDL 484 (HONDA GV 100) |
| — | 81000641/0 | 1 | TDL 484 (HONDA GCV 135/160) | TDL 484 (HONDA GCV 135/160) | TDL 484 (HONDA GCV 135/160) | TDL 484 (HONDA GCV 135/160) |
| — | 81000642/0 | 1 | TDL 534 (QUANTUM XM-ES 40) | TDL 534 (QUANTUM XM-ES 40) | TDL 534 (QUANTUM XM-ES 40) | TDL 534 (QUANTUM XM-ES 40) |
| — | 81000643/0 | 1 | TDL 534 (SPRINT 375/QUATTRO) | TDL 534 (SPRINT 375/QUATTRO) | TDL 534 (SPRINT 375/QUATTRO) | TDL 534 (SPRINT 375/QUATTRO) |
| — | 81000644/0 | 1 | TDL 534 (TECUMSEH) | TDL 534 (TECUMSEH) | TDL 534 (TECUMSEH) | TDL 534 (TECUMSEH) |
| — | 81000640/0 | 1 | TDL 534 (HONDA GCV 135/160) | TDL 534 (HONDA GCV 135/160) | TDL 534 (HONDA GCV 135/160) | TDL 534 (HONDA GCV 135/160) |
| 16 | 22450410/1 | 1 | MOLLA DX | RIGHT SPRING | RESSORT DROITE | RECHTE FEDER |
| 17 | 22600046/1 | 1 | PARASASSI | STONE-GUARD | PARE-PIERRES | PRALLBLECH |
| 18 | 22450420/1 | 1 | MOLLA SX | LEFT SPRING | RESSORT GAUCHE | LINKE FEDER |
| 19 | 22517906/1 | 1 | PERNO | PIN | PIVOT | BOLZEN |
| 20 | 12728518/0 | 1 | VITE | SCREW | VIS | SCHRAUBE |
| 21 | 22806612/0 | 1 | SUPPORTO | SUPPORT | SUPPORT | HALTER |
| 22 | 22981467/0 | 1 | PIASTRINA | PLAQUE | PLAQUETTE | PLATTE |
| 23 | 12735105/0 | 2 | VITE | SCREW | VIS | SCHRAUBE |
| 24 | 12523040/0 | 2 | RONDELLA | WASHER | RONDELLE | SCHEIBE |
| 25 | 12530060/0 | 1 | RONDELLA ELASTICA | SPRING WASHER | RONDELLE ELASTIQUE | ELASTISCHE SCHEIBE |
| 26 | 12791500/0 | 1 | VITE | SCREW | VIS | SCHRAUBE |
| 27 | 22943006/0 | 1 | VITE | SCREW | VIS | SCHRAUBE |
| 28 | 81007018/0 | 1 | PORTE SUP. MANICO | UPPER HANDLE | PARTIE SUP. MANCHERON | OBERHOLM |
| 29 | ☛ | | CRUSCOTTO | DASH BOARD | CONSOLE | KONSOLE |
| — | 22120154/0 | 1 | ROSSO | RED | ROUGE | ROTE |
| — | 22120152/0 | 1 | GIALLO | YELLOW | JAUNE | GELBE |
| — | 22120158/0 | 1 | NERO | BLACK | NOIRE | SCHWARZE |
| 30 | 81003291/2 | 1 | LEVA FRENO MOTORE | BRAKE LEVER | LEVIER FREIN MOTEUR | MOTORBREMSHEBEL |
| 31 | ☛ | | IMPUGNATURA MANICO | HANDGRIP | POIGNÉE | HANDGRIFF |
| — | 22291050/0 | 1 | NERA | BLACK | NOIRE | SCHWARZER |
| — | 22291051/0 | 1 | ROSSA | RED | ROUGE | RÖTER |
| — | 22291052/0 | 1 | GIALLA | YELLOW | JAUNE | GELBER |
| 32 | 81007280/2 | 1 | ASS. LEVA + MANOPOLINA | LEVER + KNOB ASS. Y | ENS. LEVIER + POIGNÉE | HEBEL + GRIFF SATZ |
| 33 | ☛ | | ETICHETTA | LABEL | ETIQUETTE | ETIKETTE |
| — | 14356743/0 | 1 | (TECUMSEH-HONDA) | (TECUMSEH-HONDA) | (TECUMSEH-HONDA) | (TECUMSEH-HONDA) |
| — | 14356744/0 | 1 | (B&S) | (B&S) | (B&S) | (B&S) |
| 34 | 22041966/0 | 2 | BOCCOLA | BUSH | DOUILLE | BUCHSE |
| 35 | 12154510/0 | 1 | DADO | NUT | ECROU | MUTTER |
| 36 | 12728460/0 | 1 | VITE | SCREW | VIS | SCHRAUBE |
| 37 | 22038402/0 | 1 | BRONZINA DESTRA | RIGHT BUSH | DOUILLE DROITE | RECHTE BUCHSE |
| 38 | 22038403/0 | 1 | BRONZINA SINISTRA | LEFT BUSH | DOUILLE GAUCHE | LINKE BUCHSE |
| 39 | 22545142/0 | 2 | PIASTRINA | PLATE | PLAQUETTE | PLATTE |
| 40 | 12731350/0 | 4 | VITE | SCREW | VIS | SCHRAUBE |
| 41 | 12000930/0 | 1 | ANELLO ELASTICO | SNAP RING | ANNEAU RESSORT | SPRENGRING |
| — | 81008614/1 | 1 | DOTAZIONE VITERIA | SCREWS OUTFIT | DOTATION VISSERIE | SCHRAUBEN SATZ |
| — | 81008609/0 | 1 | DOTAZIONE CRUSCOTTO | DASH-BOARD OUTFIT | DOTATION CONSOLE | KONSOLE SATZ |

| VARIANTE REGOLAZIONE MANICO | HANDLE ADJUSTMENT VARIANT | VARIANTE REGLAGE POIGNEE | GRIFFEINSTELLVARIANTE |
|-----------------------------|---------------------------|--------------------------|-----------------------|
|-----------------------------|---------------------------|--------------------------|-----------------------|

| | | | | | | | |
|----------|----|------------|---|---------------------|---------------------|------------------------|-------------------------|
| T-3615/B | 51 | 81006510/0 | 1 | PORTE INFR. MANICO | LOWER HANDLE | PARTIE INF. MANCHERON | UNTERHOLM |
| | 52 | 22785081/0 | 2 | SUPPORTO ESTERNO | EXTERNAL SUPPORT | SUPPORT EXTERNE | AUßERE HALTERUNG |
| | 53 | 22785082/0 | 1 | SUPPORTO INTERNO DX | R. INTERNAL SUPPORT | SUPPORT INTERNE DROIT | INNERE HALTERUNG RECHTS |
| | 54 | 22785083/1 | 1 | SUPPORTO INTERNO SX | L. INTERNAL SUPPORT | SUPPORT INTERNE GAUCHE | INNERE HALTERUNG LINKS |
| | 56 | 22551575/0 | 2 | PIASTRINA INTERNA | INSIDE PLAQUE | PLAQUETTE INTERNE | INNERE PLATTE |
| | 57 | 12793701/0 | 2 | VITE | SCREW | VIS | SCHRAUBE |
| | 58 | 12155000/0 | 2 | DADO | NUT | ECROU | MUTTER |
| | 59 | 12521350/0 | 2 | RONDELLA | WASHER | RONDELLE | SCHEIBE |
| | 60 | 12691810/0 | 2 | VITE | SCREW | VIS | SCHRAUBE |
| | 61 | 22399803/0 | 2 | MANOPOLINA | KNOB | POIGNÉE | GRIFF |
| | 62 | 12293202/0 | 2 | DADO | NUT | ECROU | MUTTER |
| | — | 81008623/0 | 1 | DOTAZ. VITERIA | SCREWS OUTFIT | DOTATION VISSERIE | SCHRAUBEN SATZ |

| VARIANTE ACCELERATORE | THROTTLE VARIANTS | VARIANTES COMMANDE D'ACCELERATION | ÄNDERUNGEN AUF GASHEBEL |
|-----------------------|-------------------|-----------------------------------|-------------------------|
|-----------------------|-------------------|-----------------------------------|-------------------------|

| | | | | | | | |
|----------|-----|------------|---|----------------------|---------------------|---------------------|--------------------|
| T-3616/D | 151 | 12291000/0 | 1 | DADO | NUT | ECROU | MUTTER |
| | 152 | 12581500/0 | 1 | GROWER | GROWER | GROWER | FEDERRING |
| | 153 | 22171005/0 | 1 | DISTANZIALE | SPACER | ENTRETOISE | DISTANZRING |
| | 154 | 12521360/0 | 1 | RONDELLA | WASHER | RONDELLE | SCHEIBE |
| | 155 | 12508100/0 | 1 | RONDELLA ELASTICA | SPRING WASHER | RONDELLE ELASTIQUE | ELASTISCHE SCHEIBE |
| | 156 | 81007279/1 | 1 | ASS. LEVA+MANOPOLINA | LEVER+KNOB ASS.Y | ENS. LEVIER+POIGNEE | HEBEL+GRIFF SATZ |
| | 157 | 81007080/0 | 1 | ASSIEME ACCELERATORE | TROTTLER UNIT ASS.Y | ENS. ACCELERATEUR | BESCHLEUNIGER SATZ |
| | 158 | 12815000/0 | 1 | VITE | SCREW | VIS | SCHRAUBE |
| | 159 | ☛ | | ETICHETTA | LABEL | ETIQUETTE | ETIKETTE |
| | — | 14356702/0 | 1 | (TECUMSEH-HONDA) | (TECUMSEH-HONDA) | (TECUMSEH-HONDA) | (TECUMSEH-HONDA) |
| | — | 14356703/0 | 1 | (B&S) | (B&S) | (B&S) | (B&S) |

| Pos. Nr. | Codice Code Kodex | Q.tà Q.ty-Q.tè Menge | Descrizione | Description | Description | Beschreibung |
|----------|-------------------|----------------------|-------------|-------------|-------------|--------------|
|----------|-------------------|----------------------|-------------|-------------|-------------|--------------|

T-3615/E

| VARIANTE REGIME FISSO | FIXED SPEED VARIANTS | VARIANTES POUR MODÈLE À REGIME FIXE | ÄNDERUNGEN FÜR MODELLE MIT FIXIERTER DREHZAHL |
|-----------------------|----------------------|-------------------------------------|---|
|-----------------------|----------------------|-------------------------------------|---|

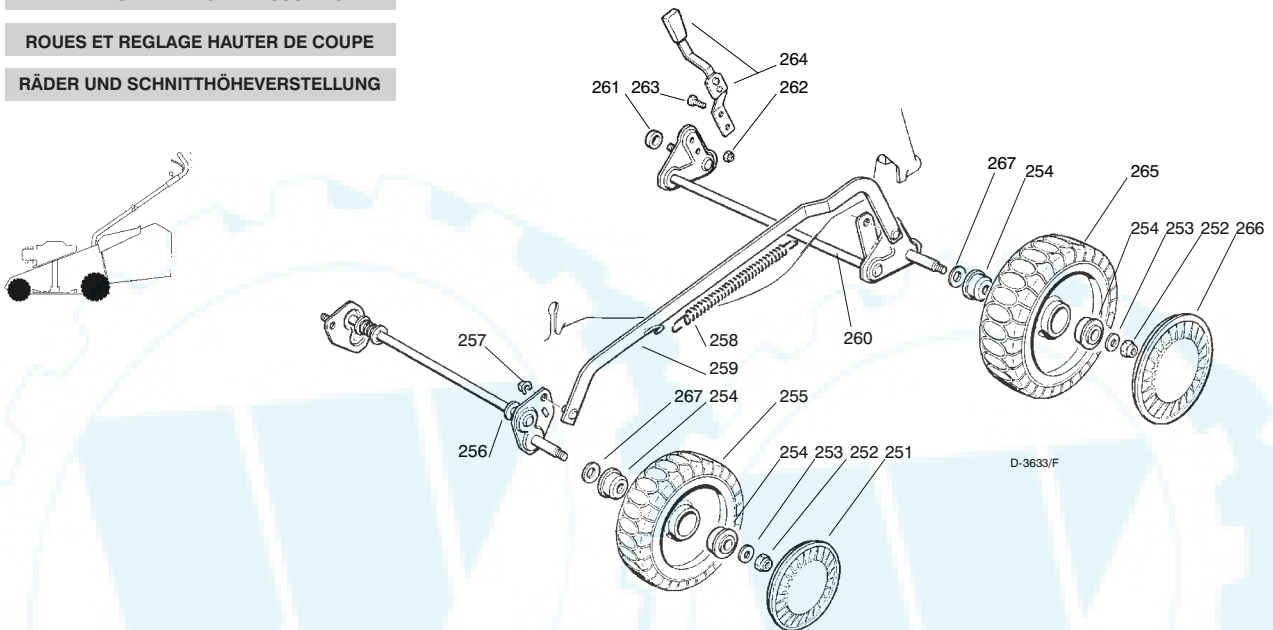
| | | | | | |
|-----|------------|------------|------------|------------|--------|
| 201 | 22601000/0 | PROTEZIONE | PROTECTION | PROTECTION | SCHUTZ |
|-----|------------|------------|------------|------------|--------|

RUOTE E REGOLAZIONE

WHEELS AND HEIGHT ADJUSTING

ROUES ET REGLAGE HAUTER DE COUPE

RÄDER UND SCHNITTHÖHEVERSTELLUNG



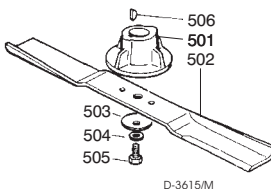
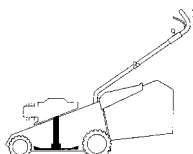
D-3633/F

T-3635/F

| | | | | | | |
|-----|------------|---|-----------------------|---------------------|---------------------|-------------------------|
| 251 | | | COPRIMOZZO | HUB CAP | COUVRE-MOYEU | RADKAPPE |
| — | 22110282/0 | 2 | BIANCO | WHITE | BLANC | WEIÙE |
| — | 22110288/0 | 2 | GIALLO | YELLOW | JAUNE | GELBE |
| — | 22110290/0 | 2 | ROSSO | RED | ROUGE | ROTE |
| 252 | 12155000/0 | 4 | DADO | NUT | ECROU | MUTTER |
| 253 | 12521350/0 | 4 | RONDELLA | WASHER | RONDELLE | SCHEIBE |
| 254 | 22122200/0 | 8 | CUSCINETTO | BEARING | COUSSINET | KUGELLAGER |
| 255 | 81007317/0 | 2 | RUOTA SCOLPITA Ø 170 | KNOBBLY WHEEL Ø 170 | ROUE SCULPTEE Ø 170 | RAD M. STOLLENPR.Ø 170 |
| 256 | | | ASSE RUOTE ANTERIORE | FRONT WHEELS AXLE | AXE ROUES AVANT | VORDERRADACHSE |
| — | 81001272/0 | 1 | TDL 434 | TDL 434 | TDL 434 | TDL 434 |
| — | 81001274/0 | 1 | TDL 484 | TDL 484 | TDL 484 | TDL 484 |
| — | 81001223 | 1 | TDL 534 | TDL 534 | TDL 534 | TDL 534 |
| 257 | 12436050/0 | 2 | PIASTRINA | PLATE | PLAQUETTE | PLÄTTCHEN |
| 258 | 22446180/0 | 1 | MOLLA | SPRING | RESSORT | FEDER |
| 259 | | 1 | ASTA COMANDO | ADJUSTMENT ROD | TIGE COMMANDE | STELLSTAB |
| — | 81001275/0 | 1 | TDL 434 | TDL 434 | TDL 434 | TDL 434 |
| — | 81001276/0 | 1 | TDL 484 | TDL 484 | TDL 484 | TDL 484 |
| — | 81001264/0 | 1 | TDL 534 | TDL 534 | TDL 534 | TDL 534 |
| 260 | 81001278/0 | 1 | ASSE RUOTE POSTERIORE | REAR WHEELS AXLE | AXE ROUES ARRIERE | HINTERRADACHSE |
| — | | | TDL 434 - 484 | TDL 434 - 484 | TDL 434 - 484 | TDL 434 - 484 |
| 261 | 22170800/0 | 1 | DISTANZIALE | SPACER | ENTRETOISE | DISTANZRING |
| 262 | 12154330/0 | 2 | DADO | NUT | ECROU | MUTTER |
| 263 | 12789000/0 | 2 | VITE | SCREW | VIS | SCHRAUBE |
| 264 | 81003283/1 | 1 | LEVA REGOLAZIONE | ADJUSTMENT LEVER | LEVIER REGLAGE | VERSTELLUNGHEBEL |
| 265 | 81007318/1 | 2 | RUOTA SCOLPITA Ø 210 | KNOBBLY WHEEL Ø 210 | ROUE SCULPTEE Ø 210 | RAD M. STOLLENPR. Ø 210 |
| 266 | | | COPRIMOZZO | HUB CAP | COUVRE-MOYEU | RADKAPPE |
| — | 22110281/0 | 2 | BIANCO | WHITE | BLANC | WEIÙE |
| — | 22110287/0 | 2 | GIALLO | YELLOW | JAUNE | GELBE |
| — | 22110289/0 | 2 | ROSSO | RED | ROUGE | ROTE |
| 267 | 12530150/0 | 4 | RONDELLA ELASTICA | ELASTIC WASHER | RONDELLE ELASTIQUE | ELASTISCHE SCHEIBE |

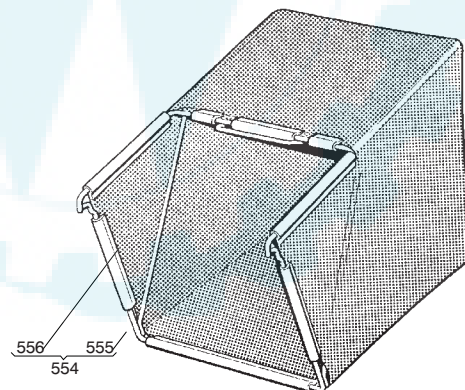
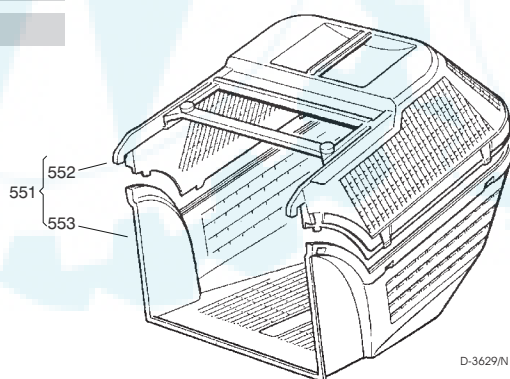
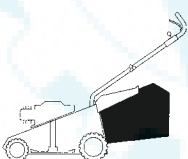
| Pos. Nr. | Codice Code Kodex | Q.tà Q.ty-Q.tè Menge | Descrizione | Description | Description | Beschreibung |
|----------|-------------------|----------------------|-------------|-------------|-------------|--------------|
|----------|-------------------|----------------------|-------------|-------------|-------------|--------------|

- GRUPPO COLTELLO**
- BLADE ASS.Y**
- GROUPE LAME**
- MESSERSATZ**



| | | | | | | | |
|----------|-----|------------|---|-------------------------|-------------------------|-------------------------|-------------------------|
| T-3635/M | 501 | 22463012/1 | 1 | MOZZO | HUB | MOYEU | HALTER |
| | 502 | | | COLTELLO | BLADE | LAME | MESSER |
| | — | 81004341/2 | 1 | STANDARD 41 cm. TDL 434 | STANDARD 41 cm. TDL 434 | STANDARD 41 cm. TDL 434 | STANDARD 41 cm.TDL 434 |
| | — | 81004396/0 | 1 | ALETTATO 41 cm. TDL 434 | WINGED 41 cm. TDL 434 | AILETTÉE 41 cm. TDL 434 | FLÜGEL 41 cm TDL 434 |
| | — | 81004346/2 | 1 | STANDARD 46 cm.TDL 484 | STANDARD 46 cm. TDL 484 | STANDARD 46 cm. TDL 484 | STANDARD 46 cm.TDL 484 |
| | — | 81004397/0 | 1 | ALETTATO 46 cm. TDL 484 | WINGED 46 cm. TDL 484 | AILETTÉE 46 cm.TDL 484 | FLÜGEL 46 cm TDL 484 |
| | — | 81004381/0 | 1 | STANDARD 51 cm. TDL 534 | STANDARD 51 cm. TDL 534 | STANDARD 51 cm. TDL 534 | STANDARD 51 cm. TDL 534 |
| | — | 81004398/0 | 1 | ALETTATO 51 cm. TDL 534 | WINGED 51 cm. TDL 534 | AILETTÉE 51 cm.TDL 534 | FLÜGEL 51 cm TDL 534 |
| | 503 | 22160400/0 | 1 | DISCO ELASTICO | ELASTIC WASHER | RONDELLE ELASTIQUE | ELASTISCHE SCHEIBE |
| | 504 | 12523080/0 | 1 | RONDELLA | WASHER | RONDELLE | SCHEIBE |
| | 505 | 12735698/0 | 1 | VITE | SCREW | VIS | SCHRAUBE |
| | 506 | 12139100/0 | 1 | LINGUETTA | FEATHER | CLAVETTE | KEIL |

- SACCO RACCOGLIERBA**
- GRASS-CATCHER**
- BAC DE RAMASSAGE**
- GRASFANGKORB**



| | | | | | | | |
|----------|-----|------------|---|--------------------|----------------------|-----------------------|-----------------|
| T-3629/N | 551 | 94004000/1 | 1 | SACCO COMPLETO | COMPLETE GRASS-BOX | SAC COMPLET | KOMPLETTER KORB |
| | 552 | 22486073/0 | 1 | PORTE SUP. SACCO | UPPER GRASS BOX | PARTIE SUP. SAC | OBERKORB |
| | 553 | 22486074/0 | 1 | PORTE INF. SACCO | LOWER GRASS BOX | PARTIE INF. SAC | UNTERKORB |
| | 554 | 94005000/0 | 1 | ASS. SACCO IN TELA | CANVASS GRASSCATCHER | ENSEMBLE SAC EN TOILE | KOMPLETTER SACK |
| | 555 | 81006418/0 | 1 | TELAIO | CHASSIS | CHÂSSIS | RAHMEN |
| | 556 | 81002105/2 | 1 | TELA SACCO | FABRIC BOX | TOILE POUR SAC | TUCK FÜR SACK |