

RL 434

RL 484

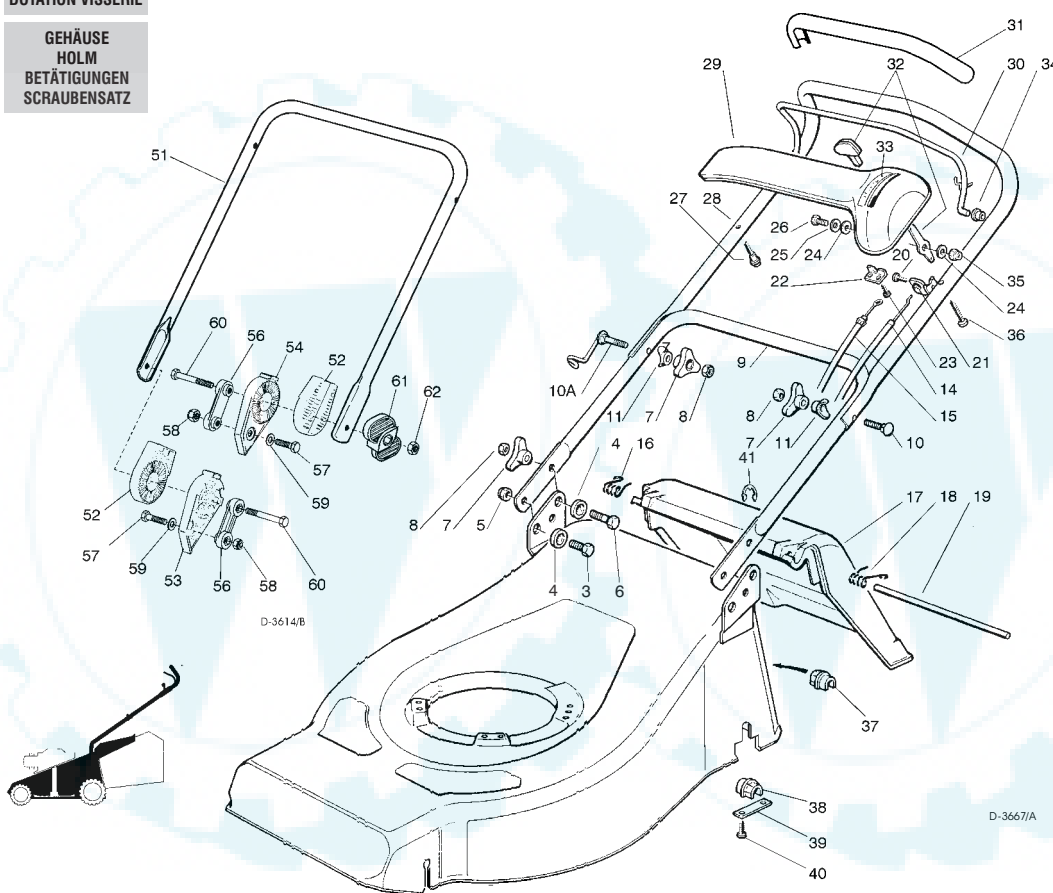
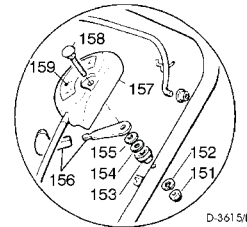
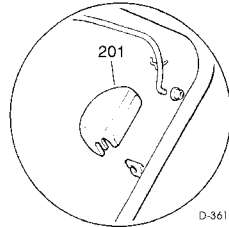
RL 534

CHASSIS
MANICO
COMANDI
DOTAZIONE VITERIE

DECK
HANDLE
CONTROLS
SCREWS OUTFITS

CHÂSSIS
MANCHERON
COMMANDES
DOTATION VISSERIE

GEHÄUSE
HOLM
BETÄTIGUNGEN
SCRAUBENSATZ



SPARE PARTS CATALOGUE

ERSATZTEILKATALOG

GB

D

CATALOGO DELLE PARTI
DI RICAMBIO

CATALOGUE DES PIÈCES
DE RECHANGE

I

F

T-3667/A

Pos. Nr.	Codice Code Kodex	Q.tà Q.ty-Q.tè Menge	Descrizione	Description	Description	Beschreibung
1		1	CHASSIS	DECK	CHÂSSIS	GEHÄUSE
—	81001026/1	1	ROSSO RL 434	RED RL 434	OUGE RL 434	ROTES RL 434
—	81001009/1	1	GIALLO RL 434	YELLOW RL 434	JAUNE RL 434	GELBES RL 434
—	81001515/1	1	VERDE RL 434	GREEN RL 434	VERT RL 434	GRÜNES RL 434
—	81001028/0	1	ROSSO RL 484	RED RL 484	OUGE RL 484	ROTES RL 484
—	81001011/0	1	GIALLO RL 484	YELLOW RL 484	JAUNE RL 484	GELBES RL 484
—	81001516/0	1	VERDE RL 484	GREEN RL 484	VERT RL 484	GRÜNES RL 484
—	81001726/0	1	ROSSO RL 534	RED RL 534	ROUGE RL 534	ROTES RL 534
—	81001727/0	1	GIALLO RL 534	YELLOW RL 534	JAUNE RL 534	GELBES RL 534
—	81001728/0	1	VERDE RL 534	GREEN RL 534	VERT RL 534	GRÜNES RL 534
3	12792610/0	2	VITE	SCREW	VIS	SCHRAUBE
4	22041955/0	4	BUSSOLA	BUSH	DOUILLE	BUCHSE
5	12155000/0	2	DADO	NUT	ECROU	MUTTER
6	12793700/0	2	VITE	SCREW	VIS	SCHRAUBE
7	22399900/0	4	MANOPOLINA	KNOB	POIGNÉE	GRIFF
8	12293200/0	4	DADO	NUT	ECROU	MUTTER

Pos. Nr.	Code Code Kodex	Q.tà Q.ty-Q.tè Menge	Descrizione	Description	Description	Beschreibung
9	81006512/0	1	PARTE INF. MANICO	LOWER HANDLE	PARTIE INF. MANCHERON	UNTERHOLM
10	12819201/0	1	VITE	SCREW	VIS	SCHRAUBE
10A	81003801/0	1	MOLLA GUIDA	SPRING	RESSORT	FEDER
11	22680006/1	2	RONDELLA	WASHER	RONDELLE	SCHEIBE
12	12293201/0	3/2	DADO	NUT	ECROU	MUTTER
—	12155000/0	0/1	DADO	NUT	ECROU	MUTTER
14	81007160/0	1	CAVO ACCELERATORE	THROTTLE CABLE	CABLE ACCELERATEUR	BESCHLEUNIGER KABEL
15	81000633/0	1	CAVO FRENO MOTORE	THREAD MOTOR BRAKE	CABLE FREIN MOTEUR	MOTORBREMSEKABEL
—	81000623/1	1	RL 434 (QUANTUM XM)	RL 434 (QUANTUM XM)	RL 434 (QUANTUM XM)	RL 434 (QUANTUM XM)
—	81000631/0	1	RL 434-484 (TECUMSEH)	RL 434-484 (TECUMSEH)	RL 434-484 (TECUMSEH)	RL 434-484 (TECUMSEH)
—	81000631/0	1	RL 484 (QUANTUM XM-ES 40)	RL 484 (QUANTUM XM-ES 40)	RL 484 (QUANTUM XM-ES 40)	RL 484 (QUANTUM XM-ES 40)
—	81000625/0	1	RL 484 (SPRINT 375/QUATTRO)	RL 484 (SPRINT 375/QUATTRO)	RL 484 (SPRINT 375/QUATTRO)	RL 484 (SPRINT 375/QUATTRO)
—	81000641/0	1	RL 484 (HONDA GCV 135/160)	RL 484 (HONDA GCV 135/160)	RL 484 (HONDA GCV 135/160)	RL 484 (HONDA GCV 135/160)
—	81000642/0	1	RL 534 (QUANTUM XM-ES 40)	RL 534 (QUANTUM XM-ES 40)	RL 534 (QUANTUM XM-ES 40)	RL 534 (QUANTUM XM-ES 40)
—	81000643/0	1	RL 534 (SPRINT 375/QUATTRO)	RL 534 (SPRINT 375/QUATTRO)	RL 534 (SPRINT 375/QUATTRO)	RL 534 (SPRINT 375/QUATTRO)
—	81000644/0	1	RL 534 (TECUMSEH)	RL 534 (TECUMSEH)	RL 534 (TECUMSEH)	RL 534 (TECUMSEH)
—	81000640/0	1	RL 534 (HONDA GCV 135/160)	RL 534 (HONDA GCV 135/160)	RL 534 (HONDA GCV 135/160)	RL 534 (HONDA GCV 135/160)
16	22450410/1	1	MOLLA DX	RIGHT SPRING	RESSORT DROITE	RECHTE FEDER
17	22600028/4	1	PARASASSI	STONE-GUARD	PARE-PIERRES	PRALLBLECH
18	22450420/1	1	MOLLA SX	LEFT SPRING	RESSORT GAUCHE	LINKE FEDER
19	22517906/1	1	PERNO	PIN	PIVOT	BOLZEN
20	12728518/0	1	VITE	SCREW	VIS	SCHRAUBE
21	22806612/0	1	SUPPORTO	SUPPORT	SUPPORT	HALTER
22	22981467/0	1	PIASTRINA	PLAQUE	PLAQUETTE	PLATTE
23	12735105/0	2	VITE	SCREW	VIS	SCHRAUBE
24	12523040/0	2	RONDELLA	WASHER	RONDELLE	SCHEIBE
25	12530060/0	1	RONDELLA ELASTICA	SPRING WASHER	RONDELLE ELASTIQUE	ELASTISCHE SCHEIBE
26	12791500/0	1	VITE	SCREW	VIS	SCHRAUBE
27	22943006/0	1	VITE	SCREW	VIS	SCHRAUBE
28	81007018/0	1	PARTE SUP. MANICO	UPPER HANDLE	PARTIE SUP. MANCHERON	OBERHOLM
29	22120154/0	1	CRUSCOTTO	DASH BOARD	CONSOLE	KONSOLE
—	22120152/0	1	ROSSO	RED	ROUGE	ROTE
—	22120158/0	1	NERO	BLACK	NOIRE	SCHWARZE
30	81003291/2	1	LEVA FRENO MOTORE	BRAKE LEVER	LEVIER FREIN MOTEUR	MOTORBREMSEHEBEL
31	22291050/0	1	IMPUGNATURA MANICO	HANDGRIP	POIGNÉE	HANDGRIFF
—	22291051/0	1	NERA	BLACK	NOIRE	SCHWARZER
—	22291052/0	1	ROSSA	RED	ROUGE	RÖTER
—	22291052/0	1	GIALLA	YELLOW	JAUNE	GELBER
32	81007280/2	1	ASS. LEVA + MANOPOLINA	LEVER + KNOB ASS. Y	ENS. LEVIER + POIGNÉE	HEBEL + GRIFF SATZ
33	14356743/0	1	ETICHETTA (TECUMSEH-HONDA)	LABEL (TECUMSEH-HONDA)	ETIQUETTE (TECUMSEH-HONDA)	ETIKETTE (TECUMSEH-HONDA)
—	14356744/0	1	(B&S)	(B&S)	(B&S)	(B&S)
34	22041966/0	2	BOCCOLA	BUSH	DOUILLE	BUCHSE
35	12154510/0	1	DADO	NUT	ECROU	MUTTER
36	12728460/0	1	VITE	SCREW	VIS	SCHRAUBE
37	22038402/0	1	BRONZINA DESTRA (RL 534)	RIGHT BUSH (RL 534)	DOUILLE DROITE (RL 534)	RECHTE BUSCHSE (RL 534)
38	22038403/0	1	BRONZINA SINISTRA (RL 534)	LEFT BUSH (RL 534)	DOUILLE GAUCHE (RL 534)	LINKE BUSCHSE (RL 534)
39	22545142/0	2	PIASTRINA (RL 534)	PLATE (RL 534)	PLAQUETTE (RL 534)	PLATTE (RL 534)
40	12731350/0	4	VITE (RL 534)	SCREW (RL 534)	VIS (RL 534)	SCHRAUBE (RL 534)
41	12000930/0	1	ANELLO ELASTICO	SNAP RING	ANNEAU RESSORT	SPRENGRING
—	81008614/1	1	DOTAZIONE VITERIA	SCREWS OUTFIT	DOTATION VISSERIE	SCHRAUBEN SATZ
—	81008609/0	1	DOTAZIONE CRUSCOTTO	DASH-BOARD OUTFIT	DOTATION CONSOLE	KONSOLE SATZ

VARIANTE REGOLAZIONE MANICO	HANDLE ADJUSTMENT VARIANT	VARIANTE REGLAGE POIGNEE	GRIFFEINSTELLVARIANTE
-----------------------------	---------------------------	--------------------------	-----------------------

T-3615/B	51	81006510/0	1	PARTE INFR. MANICO	LOWER HANDLE	PARTIE INF. MANCHERON	UNTERHOLM
52	22785081/0	2	SUPPORTO ESTERNO	EXTERNAL SUPPORT	SUPPORT EXTERNE	AUßERE HALTERUNG	
53	22785082/0	1	SUPPORTO INTERNO DX	R. INTERNAL SUPPORT	SUPPORT INTERNE DROIT	INNERE HALTERUNG RECHTS	
54	22785083/1	1	SUPPORTO INTERNO SX	L. INTERNAL SUPPORT	SUPPORT INTERNE GAUCHE	INNERE HALTERUNG LINKS	
56	22551575/0	2	PIASTRINA INTERNA	INSIDE PLAQUE	PLAQUETTE INTERNE	INNERE PLATTE	
57	12793701/0	2	VITE	SCREW	VIS	SCHRAUBE	
58	12155000/0	2	DADO	NUT	ECROU	MUTTER	
59	12521350/0	2	RONDELLA	WASHER	RONDELLE	SCHEIBE	
60	12691810/0	2	VITE	SCREW	VIS	SCHRAUBE	
61	22399803/0	2	MANOPOLINA	KNOB	POIGNÉE	GRIFF	
62	12293202/0	2	DADO	NUT	ECROU	MUTTER	
—	81008623/0	1	DOTAZ. VITERIA	SCREWS OUTFIT	DOTATION VISSERIE	SCHRAUBEN SATZ	

VARIANTE ACCELERATORE	THROTTLE VARIANTS	VARIANTES COMMANDE D'ACCELERATION	ÄNDERUNGEN AUF GASHEBEL
-----------------------	-------------------	-----------------------------------	-------------------------

T-3616/D	151	12291000/0	1	DADO	NUT	ECROU	MUTTER
152	12581500/0	1	GROWER	GROWER	GROWER	FEDERRING	
153	22171005/0	1	DISTANZIALE	SPACER	ENTRETOISE	DISTANZRING	
154	12521360/0	1	RONDELLA	WASHER	RONDELLE	SCHEIBE	
155	12508100/0	1	RONDELLA ELASTICA	SPRING WASHER	RONDELLE ELASTIQUE	ELASTISCHE SCHEIBE	
156	81007279/1	1	ASS. LEVA+MANOPOLINA	LEVER+KNOB ASS.Y	ENS. LEVIER+POIGNEE	HEBEL+GRIFF SATZ	
157	81007080/0	1	ASSIEME ACCELERATORE	TROTTLE UNIT ASS.Y	ENS. ACCELERATEUR	BESCHLEUNIGER SATZ	
158	12815000/0	1	VITE	SCREW	VIS	SCHRAUBE	
159	14356702/0	1	ETICHETTA (TECUMSEH-HONDA)	LABEL (TECUMSEH-HONDA)	ETIQUETTE (TECUMSEH-HONDA)	ETIKETTE (TECUMSEH-HONDA)	
—	14356703/0	1	(B&S)	(B&S)	(B&S)	(B&S)	

T-3615/E

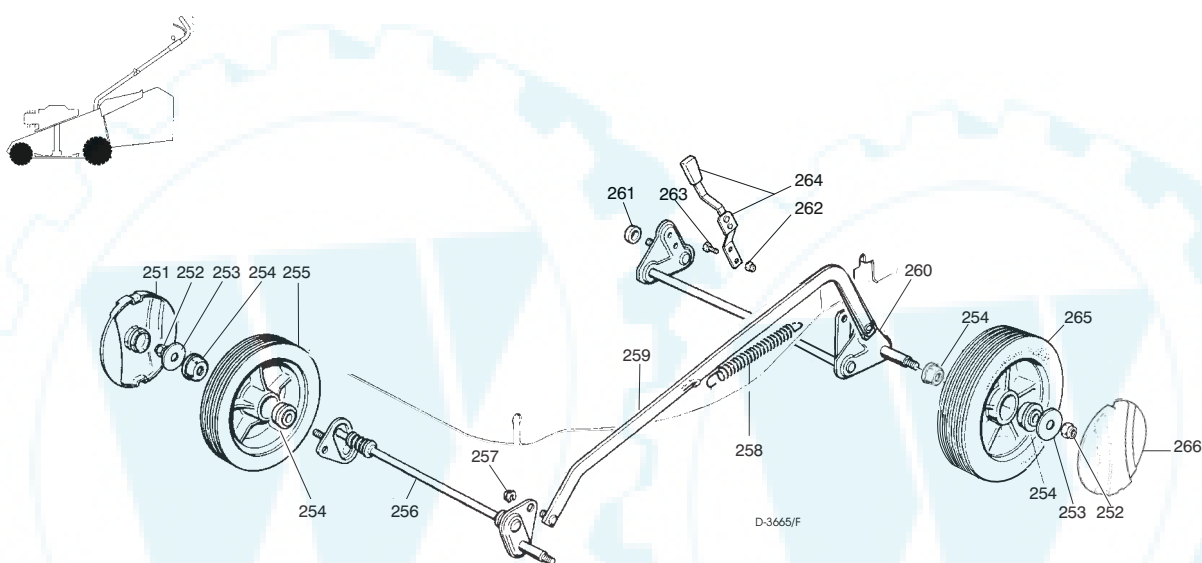
Pos. Nr.	Codice Code Kodex	Q.tà Q.ty-Q.tè Menge	Descrizione	Description	Description	Beschreibung
			VARIANTE REGIME FISSO	FIXED SPEED VARIANTS	VARIANTES POUR MODÈLE À REGIME FIXE	ÄNDERUNGEN FÜR MODELLE MIT FIXIERTER DREHZAHL
201	22601000/0		PROTEZIONE	PROTECTION	PROTECTION	SCHUTZ

RUOTE E REGOLAZIONE

WHEELS AND HEIGHT ADJUSTING

ROUES ET REGLAGE HAUTER DE COUPE

RÄDER UND SCHNITTHÖHEVERSTELLUNG

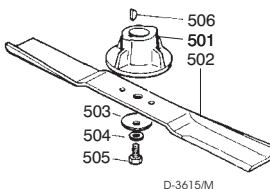
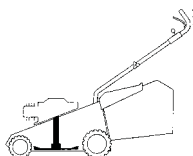


T-3665/F

251			COPRIMOZZO	HUB CAP	COUVRE-MOYEU	RADKAPPE
—	22110252/0	2	BIANCO	WHITE	BLANC	WEIßE
—	22110254/0	2	GIALLO	YELLOW	JAUNE	GELB
—	22110255/0	2	ROSSO	RED	ROUGE	ROTE
252	12155000/0	2	DADO	NUT	ECROU	MUTTER
253	12523060/0	2	RONDELLA	WASHER	RONDELLE	SCHIBE
254	22034508/0	4	BOCCOLA	BUSH	DOUILLE	BÜCHSE
255	81007326/0	2	RUOTA Ø 170	WHEEL Ø 170	ROUE Ø 170	RAD Ø 170
256			ASSE RUOTE ANT.	FRONT WHEELS AXLE	AXE ROUES AVANT	VORDERRADACHSE
—	81001248/0	1	RL 434	RL 434	RL 434	RL 434
—	81001250/0	1	RL 484	RL 484	RL 484	RL 484
—	81001278/0	1	RL 534	RL 534	RL 534	RL 534
257	12436050/0	1	PIASTRINA	PLATE	PLAQUETTE	PLATTE
258	22446180/0	2	MOLLA	SPRING	RESSORT	FEDER1
259			ASTA COMANDO	ADJUSTMENT ROD	TIGE COMMANDE	STELLSTAB
—	81001244/0	1	RL 434	RL 434	RL 434	RL 434
—	81001246/1	1	RL 484	RL 484	RL 484	RL 484
—	81001264/0	1	RL 534	RL 534	RL 534	RL 534
260			ASSE RUOTE POST.	REAR WHEELS AXLE	AXE ROUES ARRIERE	HINTERRADACHSE
—	81001254/0	1	RL 434 / 484	RL 434 / 484	RL 434 / 484	RL 434 / 484
—	81001278/0	1	RL 534	RL 534	RL 534	RL 534
261	22170800/0	1	DISTANZIALE	SPACER	ENTRETOISE	DISTANZRING
262	12154320/0	2	DADO	NUT	ECROU	MUTTER
263	12789000/0	2	VITE	SCREW	VIS	SCHRAUBE
264			LEVA REGOLAZIONE	ADJUSTMENT LEVER	LEVIER REGLAGE	VERSTELLUNGHEBEL
—	81003279/2	1	RL 434/484	RL 434/484	RL 434/484	RL 434/484
—	81003283/1	1	RL 534	RL 534	RL 534	RL 534
265	81007328/0	2	RUOTA Ø 210	WHEEL Ø 210	ROUE Ø 210	RAD Ø 210
266			COPRIMOZZO	HUB CAP	COUVRE-MOYEU	RADKAPPE
—	22110251/0	2	BIANCO	WHITE	BLANC	WEIßE
—	22110253/0	2	GIALLO	YELLOW	JAUNE	GELBE
—	22110256/0	2	ROSSO	RED	ROUGE	ROTE

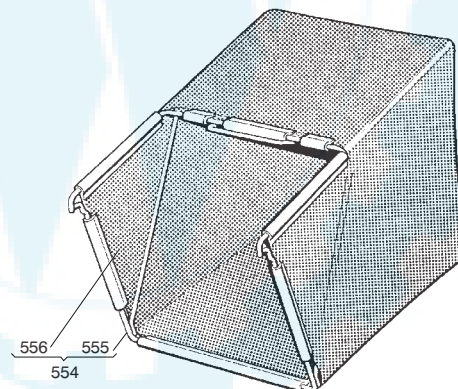
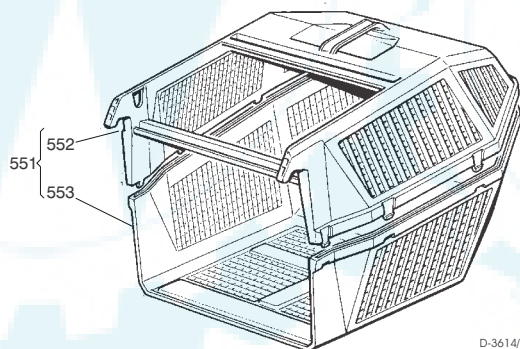
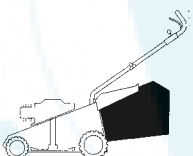
Pos. Nr.	Codice Code Kodex	Q.tà Q.ty-Q.tè Menge	Descrizione	Description	Description	Beschreibung
----------	-------------------	----------------------	-------------	-------------	-------------	--------------

- GRUPPO COLTELLO**
- BLADE ASS.Y**
- GROUPE LAME**
- MESSERSATZ**



T-3615/M	Pos. Nr.	Codice Code Kodex	Q.tà Q.ty-Q.tè Menge	Descrizione	Description	Description	Beschreibung
	501	22463012/1	1	MOZZO	HUB	MOYEU	HALTER
	502	81004341/2	1	COLTELLO	BLADE	LAME	MESSER
	502	81004341/2	1	STANDARD. 41 cm RL 434	STANDARD 41 cm RL 434	STANDARD 41 cm RL 434	STAND. 41 cm RL 434
	—	81004396/0	1	ALETTATO. 41 cm RL 434	WINGED 41 cm RL 434	AILETTÉE 41 cm RL 434	FLÜGEL 41 cm RL 434
	—	81004346/2	1	STANDARD. 46 cm RL 484	STANDARD 46 cm RL 484	STANDARD 46 cm RL 484	STAND 46 cm RL 484
	—	81004397/0	1	ALETTATO. 46 cm RL 484	WINGED 46 cm RL 484	AILETTÉE 46 cm RL 484	FLÜGEL 46 cm RL 484
	—	81004381/0	1	STANDARD. 51 cm RL 534	WINGED 51 cm RL 534	AILETTÉE 51 cm RL 534	FLÜGEL 51 cm RL 534
	—	81004398/0	1	ALETTATO. 51 cm RL 534	WINGED 51 cm RL 534	AILETTÉE 51 cm RL 534	FLÜGEL 51 cm RL 534
	503	22160400/0	1	DISCO ELASTICO	ELASTIC WASHER	RONDELLE ELASTIQUE	ELASTISCHE SCHEIBE
	504	12523080/0	1	RONDELLA	WASHER	RONDELLE	SCHEIBE
	505	12735698/0	1	VITE	SCREW	VIS	SCHRAUBE
	506	12139100/0	1	LINGUETTA	FEATHER	CLAVETTE	KEIL

- SACCO RACCOGLIERBA**
- GRASS-CATCHER**
- BAC DE RAMASSAGE**
- GRASFANGKORB**



T-3614/N	Pos. Nr.	Codice Code Kodex	Q.tà Q.ty-Q.tè Menge	Descrizione	Description	Description	Beschreibung
	551	98005000/1	1	SACCO COMPLETO	COMPLETE GRASS-BOX	SAC COMPLET	KOMPLETTER KORB
	552	22486076/0	1	PARTE SUP. SACCO	UPPER GRASS BOX	PARTIE SUP. SAC	OBBERKORB
	553	22486077/0	1	PARTE INF. SACCO	LOWER GRASS BOX	PARTIE INF. SAC	UNTERKORB
	554	98004000/0	1	ASS. SACCO IN TELA	CANVASS GRASSCATCHER	ENSEMBLE SAC EN TOILE	KOMPLETTER SACK
	555	81006408/0	1	TELAIO	CHASSIS	CHÂSSIS	RAHMEN
	556	81002105/2	1	TELA SACCO	FABRIC BOX	TOILE POUR SAC	TUCK FÜR SACK