

RL 484 TR

RL 484 TR-E

RL 534 TR

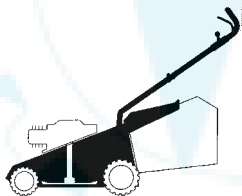
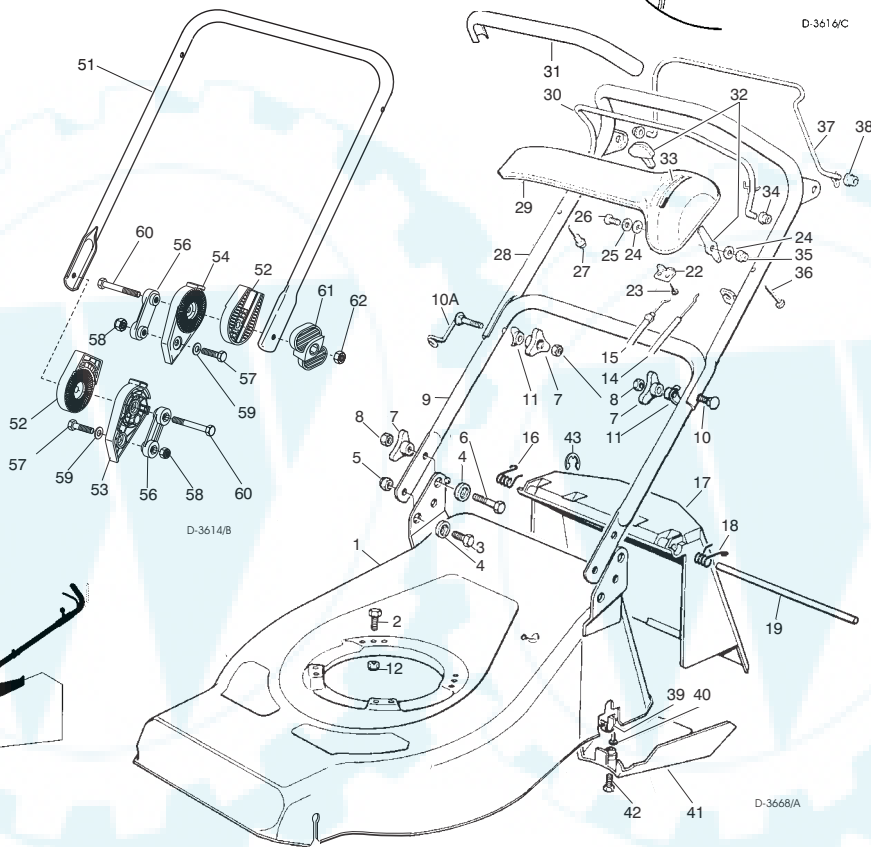
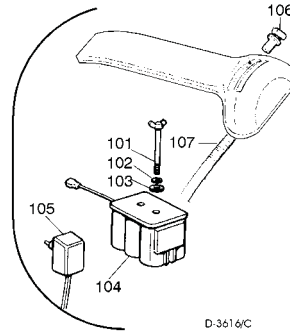
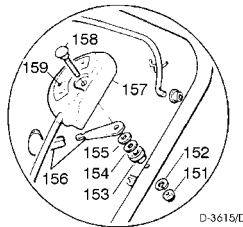
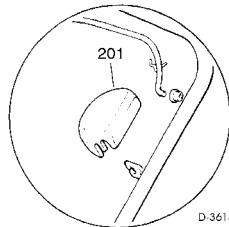
RL 534 TR-E

CHASSIS
MANICO
COMANDI
DOTAZIONE VITERIE

DECK
HANDLE
CONTROLS
SCREWS OUTFITS

CHÂSSIS
MANCHERON
COMMANDES
DOTATION VISSERIE

GEHÄUSE
HOLM
BETÄTIGUNGEN
SCRAUBENSATZ



SPARE PARTS CATALOGUE

ERSATZTEILKATALOG

GB

D

CATALOGO DELLE PARTI
DI RICAMBIO

CATALOGUE DES PIÈCES
DE RECHANGE


I

F

T-3668/A

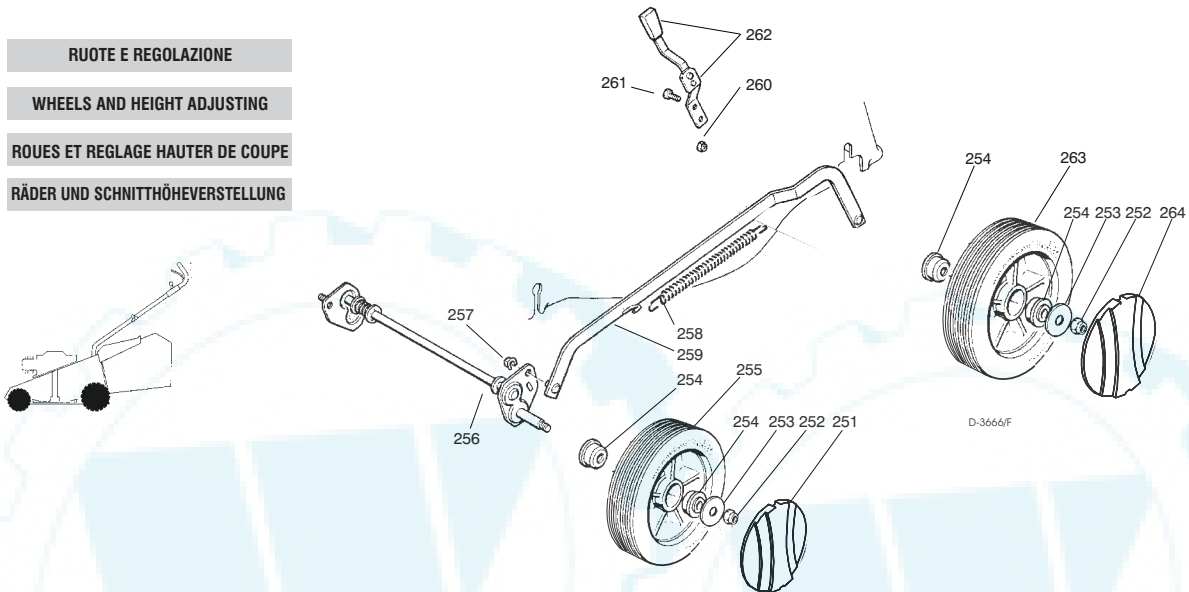
Pos. Nr.	Code Code Kodex	Q.tà Q.ty-Q.tè Menge	Descrizione	Description D-3668/A	Description	Beschreibung
1			CHASSIS	DECK	CHÂSSIS	GEHÄUSE
—	81001636/0	1	ROSSO RL 484 TR	RED RL 484 TR	ROUGE RL 484 TR	ROTES RL 484 TR
—	81001637/0	1	GIALLO RL 484 TR	YELLOW RL 484 TR	JAUNE RL 484 TR	GELBES RL 484 TR
—	81001638/0	1	VERDE RL 484 TR	GREEN RL 484 TR	VERT RL 484 TR	GRÜNES RL 484 TR
—	81001660/0	1	ROSSO RL 484 TR-E	RED RL 484 TR-E	ROUGE RL 484 TR-E	ROTES RL 484 TR-E
—	81001661/0	1	GIALLO RL 484 TR-E	YELLOW RL 484 TR-E	JAUNE RL 484 TR-E	GELBES RL 484 TR-E
—	81001662/0	1	VERDE RL 484 TR-E	GREEN RL 484 TR-E	VERT RL 484 TR-E	GRÜNES RL 484 TR-E
—	81001729/0	1	ROSSO RL 534 TR	RED RL 534 TR	ROUGE RL 534 TR	ROTES RL 534 TR
—	81001730/0	1	GIALLO RL 534 TR	YELLOW RL 534 TR	JAUNE RL 534 TR	GELBES RL 534 TR
—	81001731/0	1	VERDE RL 534 TR	GREEN RL 534 TR	VERT RL 534 TR	GRÜNES RL 534 TR
—	81001732/0	1	ROSSO RL 534 TR-E	RED RL 534 TR-E	ROUGE RL 534 TR-E	ROTES RL 534 TR-E
—	81001733/0	1	GIALLO RL 534 TR-E	YELLOW RL 534 TR-E	JAUNE RL 534 TR-E	GELBES RL 534 TR-E
—	81001734/0	1	VERDE RL 534 TR-E	GREEN RL 534 TR-E	VERT RL 534 TR-E	GRÜNES RL 534 TR-E
3	12792610/0	2	VITE	SCREW	VIS	SCHRAUBE
4	22041955/0	4	BUSSOLA	BUSH	DOUILLE	BUCHSE
5	12155000/0	2	DADO	NUT	ECROU	MUTTER
6	12793700/0	2	VITE	SCREW	VIS	SCHRAUBE
7	22399900/0	4	MANOPOLINA	KNOB	POIGNÉE	GRIFF
8	12293200/0	4	DADO	NUT	ECROU	MUTTER
9	81006512/0	1	PARTE INF. MANICO	LOWER HANDLE	PARTIE INF. MANCHERON	UNTERHOLM
10	12819201/0	1	VITE	SCREW	VIS	SCHRAUBE
10A	81003801/0	1	MOLLA GUIDA	SPRING	RESSORT	FEDER

Pos. Nr.	Code Code Kodex	Q.tà Q.ty-Q.tè Menge	Descrizione	Description	Description	Beschreibung	
11	22680006/1	2	RONDELLA	WASHER	RONDELLE	SCHEIBE	
12	12293201/0	3/2	DADO	NUT	ECROU	MUTTER	
—	12155000/0	0/1	DADO	NUT	ECROU	MUTTER	
14	81007160/0	1	CAVO ACCELERATORE	THROTTLE CABLE	CABLE ACCELERATEUR	BESCHLEUNIGER KABEL	
15	☛		CAVO FRENO MOTORE	THREAD MOTOR BRAKE	CABLE FREIN MOTEUR	MOTORBREMSEKABEL	
—	81000623/1	1	R 484 (TECUMSEH)	R 484 (TECUMSEH)	R 484 (TECUMSEH)	R 484 (TECUMSEH)	
—	81000631/0	1	R 484 (QUANTUM XM-ES 40)	R 484 (QUANTUM XM-ES 40)	R 484 (QUANTUM XM-ES 40)	R 484 (QUANTUM XM-ES 40)	
—	81000625/0	1	R 484 (SPRINT 375/QUATTRO)	R 484 (SPRINT 375/QUATTRO)	R 484 (SPRINT 375/QUATTRO)	R 484 (SPRINT 375/QUATTRO)	
—	81000641/0	1	R 484 (HONDA GCV 135/160)	R 484 (HONDA GCV 135/160)	R 484 (HONDA GCV 135/160)	R 484 (HONDA GCV 135/160)	
—	81000642/0	1	R 534 (QUANTUM XM-ES 40)	R 534 (QUANTUM XM-ES 40)	R 534 (QUANTUM XM-ES 40)	R 534 (QUANTUM XM-ES 40)	
—	81000643/0	1	R 534 (SPRINT 375/QUATTRO)	R 534 (SPRINT 375/QUATTRO)	R 534 (SPRINT 375/QUATTRO)	R 534 (SPRINT 375/QUATTRO)	
—	81000644/0	1	R 534 (TECUMSEH)	R 534 (TECUMSEH)	R 534 (TECUMSEH)	R 534 (TECUMSEH)	
—	81000640/0	1	R 534 (HONDA GCV 135/160)	R 534 (HONDA GCV 135/160)	R 534 (HONDA GCV 135/160)	R 534 (HONDA GCV 135/160)	
16	22450410/1	1	MOLLA DX	RIGHT SPRING	RESSORT DROITE	RECHTE FEDER	
17	22600028/4	1	PARASASSI	STONE-GUARD	PARE-PIERRES	PRALLBLECH	
18	22450420/1	1	MOLLA SX	LEFT SPRING	RESSORT GAUCHE	LINKE FEDER	
19	22517906/1	1	PERNO	PIN	PIVOT	BOLZEN	
22	22981467/0	1	PIASTRINA	PLAQUE	PLAQUETTE	PLATTE	
23	12735105/0	2	VITE	SCREW	VIS	SCHRAUBE	
24	12523040/0	2	RONDELLA	WASHER	RONDELLE	SCHEIBE	
25	12530060/0	1	RONDELLA ELASTICA	SPRING WASHER	RONDELLE ELASTIQUE	ELASTISCHE SCHEIBE	
26	12791500/0	1	VITE	SCREW	VIS	SCHRAUBE	
27	22943006/0	1	VITE	SCREW	VIS	SCHRAUBE	
28	81007024/0	1	PARTE SUP. MANICO	UPPER HANDLE	PARTIE SUP. MANCHERON	OBERHOLM	
29	☛		CRUSCOTTO	DASH BOARD	CONSOLE	KONSOLE	
—	22120154/0	1	ROSSO	RED	ROUGE	ROTE	
—	22120152/0	1	GIALLO	YELLOW	JAUNE	GELBE	
—	22120158/0	1	NERO	BLACK	NOIRE	SCHWARZE	
30	81003291/2	1	LEVA FRENO MOTORE	BRAKE LEVER	LEVIER FREIN MOTEUR	MOTORBREMSEHEBEL	
31	☛		IMPUGNATURA MANICO	HANDGRIP	POIGNÉE	HANDGRIFF	
—	22291050/0	1	NERA	BLACK	NOIRE	SCHWARZER	
—	22291051/0	1	ROSSA	RED	ROUGE	RÖTER	
—	22291052/0	1	GIALLA	YELLOW	JAUNE	GELBER	
32	81007280/2	1	ASS. LEVA + MANOPOLINA	LEVER + KNOB ASS. Y	ENS. LEVIER + POIGNÉE	HEBEL + GRIFF SATZ	
33	☛		ETICHETTA	LABEL	ETIQUETTE	ETIKETTE	
—	14356743/0	1	(TECUMSEH-HONDA)	(TECUMSEH-HONDA)	(TECUMSEH-HONDA)	(TECUMSEH-HONDA)	
—	14356744/0	1	(B&S)	(B&S)	(B&S)	(B&S)	
34	22041966/0	1	BOCCOLA	BUSH	DOUILLE	BUCHSE	
35	12154510/0	1	DADO	NUT	ECROU	MUTTER	
36	12728460/0	1	VITE	SCREW	VIS	SCHRAUBE	
37	81003288/1	1	LEVA TRAZIONE	DRIVING LEVER	LEVIER TRACTION	ANTRIEBHEBEL	
38	22041965/0	2	BOCCOLA	BUSH	DOUILLE	BUCHSE	
39	22545152/0	2	PIASTRINA	PLAQUE	PLAQUETTE	PLATTE	
40	12731350/0	4	VITE	SCREW	VIS	SCHRAUBE	
41	☛		CARTER	BELT PROTECTION	PROTECTION COURROIRE	RIEMENSCHUTZ	
—	22060180/0	1	(R 484)	(R 484)	(R 484)	(R 484)	
—	22060193/0	1	(R 534)	(R 534)	(R 534)	(R 534)	
42	12727791/0	1	VITE	SCREW	VIS	SCHRAUBE	
43	12000930/0	1	ANELLO ELASTICO	SNAP RING	ANNEAU RESSORT	SPRENGRING	
—	81008614/1		DOTAZIONE VITERIA	SCREWS OUTFIT	DOTATION VISSERIE	SCHRAUBEN SATZ	
—	81008609/0		DOTAZIONE CRUSCOTTO	DASH-BOARD OUTFIT	DOTATION CONSOLE	KONSOLE SATZ	
			VARIANTE REGOLAZIONE MANICO	HANDLE ADJUSTMENT VARIANT	VARIANTE REGLAGE POIGNEE	GRIFFEINSTELLVARIANTE	
T-3615/B	51	81006510/0	1	PARTE INFR. MANICO	LOWER HANDLE	PARTIE INF. MANCHERON	UNTERHOLM
	52	22785081/0	2	SUPPORTO ESTERNO	EXTERNAL SUPPORT	SUPPORT EXTERNE	AUßERE HALTERUNG
	53	22785082/0	1	SUPPORTO INTERNO DX	R. INTERNAL SUPPORT	SUPPORT INTERNE DROIT	INNERE HALTERUNG RECHTS
	54	22785083/1	1	SUPPORTO INTERNO SX	L. INTERNAL SUPPORT	SUPPORT INTERNE GAUCHE	INNERE HALTERUNG LINKS
	56	22551575/0	2	PIASTRINA INTERNA	INSIDE PLAQUE	PLAQUETTE INTERNE	INNERE PLATTE
	57	12793701/0	2	VITE	SCREW	VIS	SCHRAUBE
	58	12155000/0	2	DADO	NUT	ECROU	MUTTER
	59	12521350/0	2	RONDELLA	WASHER	RONDELLE	SCHEIBE
	60	12691810/0	2	VITE	SCREW	VIS	SCHRAUBE
	61	22399803/0	2	MANOPOLINA	KNOB	POIGNÉE	GRIFF
	62	12293202/0	2	DADO	NUT	ECROU	MUTTER
	—	81008623/0	1	DOTAZ. VITERIA	SCREWS OUTFIT	DOTATION VISSERIE	SCHRAUBEN SATZ
			VARIANTI PER AVVIAMENTO ELETTRICO	PARTS FOR ELECTRIC START	COMPOSANTS POUR DÉMARRAGE ÉLECTRIQUE	ELEKTROSTART BESTANDTEILE	
T-3615/C	101	22517855/0	2	PERNO	PIN	PIVOT	BOLZEN
	102	12523000/0	2	RONDELLA	WASHER	RONDELLE	SCHEIBE
	103	12540020/0	2	RONDELLA	WASHER	RONDELLE	SCHEIBE
	104	18120050/0	1	BATTERIA	BATTERY	BATTERIE	BATTERIE
	105	18204110/0	1	CARICA BATTERIA	BATTERY CHARGER	CHARGEUR DE BATTERIE	LADGERÄT
	106	18450050/0	1	INTERRUTTORE	SWITCH	INTERRUPTEUR	SCHALTER
	107	18204190/2	1	CAVO AVVIAMENTO	START CABLE	CABLE DÉMARRAGE	STARTKABEL
			VARIANTE ACCELERATORE	THROTTLE VARIANTS	VARIANTES COMMANDE D'ACCELERATION	ÄNDERUNGEN AUF GASHEBEL	
T-3615/D	151	12291000/0	1	DADO	NUT	ECROU	MUTTER
	152	12581500/0	1	GROWER	GROWER	GROWER	FEDERRING
	153	22171005/0	1	DISTANZIALE	SPACER	ENTRETOISE	DISTANZRING
	154	12521360/0	1	RONDELLA	WASHER	RONDELLE	SCHEIBE
	155	12508100/0	1	RONDELLA ELASTICA	SPRING WASHER	RONDELLE ELASTIQUE	ELASTISCHE SCHEIBE

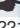



Pos. Nr.	Codice Code Kodex	Q.tà Q.ty-Q.tè Menge	Descrizione	Description	Description	Beschreibung
156	81007279/1	1	ASS. LEVA+MANOPOLINA	LEVER+KNOB ASS.Y	ENS. LEVIER+POIGNEE	HEBEL+GRIFF SATZ
157	81007080/0	1	ASSIEME ACCELERATORE	TROTTLE UNIT ASS.Y	ENS. ACCELERATEUR	BESCHLEUNIGER SATZ
158	12815000/0	1	VITE	SCREW	VIS	SCHRAUBE
159			ETICHETTA	LABEL	ETIQUETTE	ETIKETTE
—	14356702/0	1	(TECUMSEH-HONDA)	(TECUMSEH-HONDA)	(TECUMSEH-HONDA)	(TECUMSEH-HONDA)
—	14356703/0	1	(B&S)	(B&S)	(B&S)	(B&S)
			VARIANTE REGIME FISSO	FIXED SPEED VARIANTS	VARIANTES POUR MODÈLE À REGIME FIXE	ÄNDERUNGEN FÜR MODELLE MIT FIXIERTER DREHZAHL
201	22601000/0		PROTEZIONE	PROTECTION	PROTECTION	SCHUTZ

T-3615/E

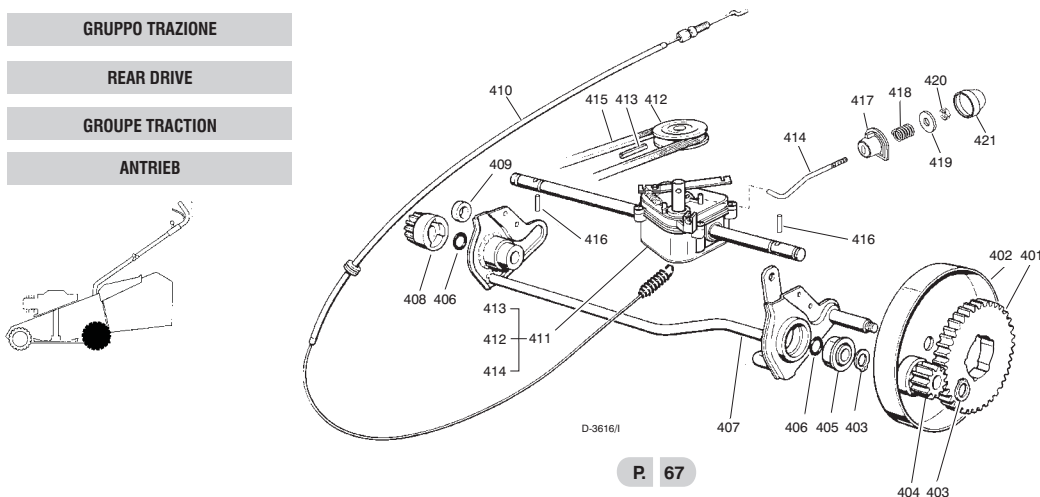
- RUOTE E REGOLAZIONE**
- WHEELS AND HEIGHT ADJUSTING**
- ROUES ET REGLAGE HAUTER DE COUPE**
- RÄDER UND SCHNITTHÖHEVERSTELLUNG**



T-3666/F

251			COPRIMOZZO	HUB CAP	COUVRE-MOYEU	RADKAPPE
—	22110252/0	2	BIANCO	WHITE	BLANC	WEIßE
—	22110254/0	2	GIALLO	YELLOW	JAUNE	GELBE
—	22110255/0	2	ROSSO	RED	ROUGE	ROTE
252	12155000/0	4	DADO	NUT	ECROU	MUTTER
253	12523060/0	4	RONDELLA	WASHER	RONDELLE	SCHEIBE
254	22034508/0	4	BOCCOLA	BUSH	DOUILLE	BUCHSE
255	81007326/0	2	RUOTA Ø 170	WHEEL Ø 170	ROUE Ø 170	RAD Ø 170
256			ASSE RUOTE ANTERIORE	FRONT WHEELS AXLE	AXE ROUES AVANT	VORDERRADACHSE
—	81001250/0	1	(RL 484)	(RL 484)	(RL 484)	(RL 484)
—	81001223/0	1	(RL 534)	(RL 534)	(RL 534)	(RL 534)
257	12436050/0	2	PIASTRINA	PLATE	PLAQUETTE	PLÄTTCHEN
258	22446180/0	1	MOLLA	SPRING	RESSORT	FEDER
259			ASTA	ROD	TIGE	STANGE
—	81001246/1	1	(RL 484)	(RL 484)	(RL 484)	(RL 484)
—	81001264/0	1	(RL 534)	(RL 534)	(RL 534)	(RL 534)
260	12154330/0	2	DADO	NUT	ECROU	MUTTER
261	12789000/0	2	VITE	SCREW	VIS	SCHRAUBE
262	81003279/2	1	LEVA REGOLAZIONE	ADJUSTMENT LEVER	LEVIER REGLAGE	VERSTELLUNGHEBEL
263	81007328/0	2	RUOTA Ø 210	WHEEL Ø 210	ROUE Ø 210	RAD Ø 210
264			COPRIMOZZO	HUB CAP	COUVRE-MOYEU	RADKAPPE
—	22110265/0	2	BIANCO	WHITE	BLANC	WEIßE
—	22110266/0	2	GIALLO	YELLOW	JAUNE	GELBE
—	22110267/0	2	ROSSO	RED	ROUGE	ROTE

- GRUPPO TRAZIONE**
- REAR DRIVE**
- GROUPE TRACTION**
- ANTRIEB**



T-3628/I

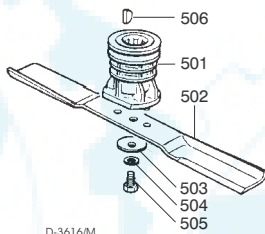
Pos. Nr.	Codice Code Kodex	Q.tà Q.ty-Q.tè Menge	Descrizione	Description	Description	Beschreibung
401	22120105/1	2	CORONA	RING GEAR	COURONNE	KRANZ
402	81006846/0	2	PROTEZIONE RUOTE	WHEEL GUARD	PROTECTION ROUE	RÄDERSCHUTZ
403	12608600/0	4	SEEGER	SEEGER	SEEGER	SEEGER
404	22570120/0	1	PIGNONE SINISTRO	LEFT PINION	PIGNON GAUCHE	LINKES RITZEL
405	22122200/0	2	CUSCINETTO	BEARING	COUSSINET	LAGER
406	12019900/0	2	ANELLO OR	OR RING	BAGUE OR	RING OR
407	81001252/1	1	ASSE RUOTE POSTERIORE	REAR WHEELS AXLE	AXE ROUES ARRIERE	HINTERRADACHSE
408	22570110/0	1	PIGNONE DESTRO	RIGHT PINION	PIGNON DROITE	RECHTES RITZEL
409	22170800/0	1	DISTANZIALE	SPACER	ENTRETOISE	DISTANZRING
410	81001143/0	1	ASS. COMANDO TRAZIONE	REAR DRIVE ASS.Y	ENS. COMMANDE TRACTION	ANTRIEBKABEL
411	☛		ASS. GRUPPO TRAZIONE	GEAR BOX ASS.Y	ENS. GROUPE TRACTION	ANTRIEBSATZ
—	81003059/0	1	(PLASTICA)	(PLASTIC)	(PLASTIQUE)	(KUNSTSTOFF)
—	81003060/0	1	(ALLUMINIO)	(ALUMINIUM)	(ALUMINIUM)	(ALUMINIUM)
412	22601904/0	1	PULEGGIA 4 KM/H	PULLEY 4 KM/H	POULIE 4 KM/H	RIEMENSCHLEIBE 4 KM/H
413	12645705/0	1	SPINA	PIN	GOUPILLE	STIFT
414	22033280/0	1	ASTA REGOLAZIONE	ADJUSTMENT ROD	TIGE REGLAGE	VERSTELLUNGSTANGE
415	☛		CINGHIA	BELT	COURROIE	RIEMEN
—	35063800/0	1	Z 27 (RL 484)	Z 27 (RL 484)	Z 27 (RL 484)	Z 27 (RL 484)
—	35063902/0	1	Z 29.5 (RL 534)	Z 29.5 (RL 534)	Z 29.5 (RL 534)	Z 29.5 (RL 534)
416	22753000/0	2	SPINA	PIN	GOUPILLE	STIFT
417	22041957/0	1	BUSSOLA	BUSH	DOUILLE	BUCHSE
418	22450063/0	1	MOLLA	SPRING	RESSORT	FEDER
419	22680009/0	1	RONDELLA	WASHER	RONDELLE	SCHEIBE
420	12154510/0	1	DADO	NUT	ECROU	MUTTER
421	22110230/0	1	TAPPO	CAP	BOUCHON	GUMMISTOPFEN

GRUPPO COLTELLO

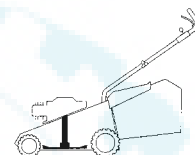
BLADE ASS.Y

GROUPE LAME

MESSERSATZ



D-3616/M



T-3628/M

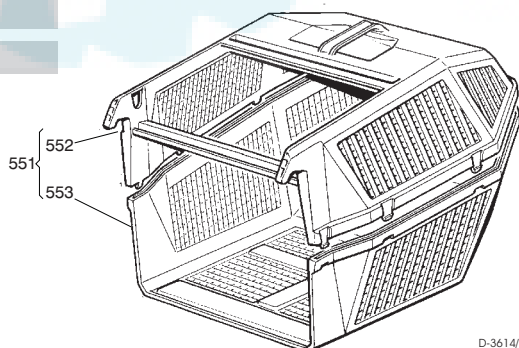
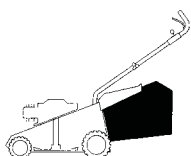
501	22465607/0	1	MOZZO CON PULEGGIA	HUB WITH PULLEY	MOYEU AVEC POULIE	NABE MIT SCHEIBE
502	☛		COLTELLO	BLADE	LAME	MESSER
—	81004346/2	1	STANDARD 46 cm	STANDARD 46 cm	STANDARD 46 cm	STANDARD 46 cm
—	81004397/0	1	ALETTATO 46 cm	WINGED 46 cm	AILETTÉE 46 cm	FLÜGEL 46 cm
—	81004381/0	1	STANDARD 51 cm	STANDARD 51 cm	STANDARD 51 cm	STANDARD 51 cm
—	81004398/0	1	ALETTATO 51 cm	WINGED 51 cm	AILETTÉE 51 cm	FLÜGEL 51 cm
503	22160400/0	1	RONDELLA ELASTICA	SPRING WASHER	RONDELLE ELASTIQUE	ELASTISCHE SCHEIBE
504	12523080/0	1	RONDELLA	WASHER	RONDELLE	SCHEIBE
505	12735698/0	1	VITE	SCREW	VIS	SCHRAUBE
506	12139100/0	1	LINGUETTA	FEATHER	CLAVETTE	KEIL

SACCO RACCOGLIERBA

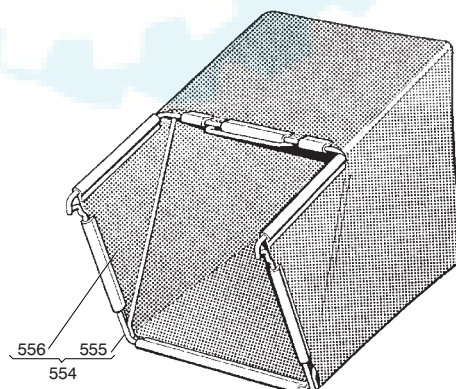
GRASS-CATCHER

BAC DE RAMASSAGE

GRASFANGKORB



D-3614/N



T-3614/N

551	98005000/1	1	SACCO COMPLETO	COMPLETE GRASS-BOX	SAC COMPLET	KOMPLETTER KORB
552	22486076/0	1	PARTIE SUP. SACCO	UPPER GRASS BOX	PARTIE SUP. SAC	OBBERKORB
553	22486077/0	1	PARTIE INF. SACCO	LOWER GRASS BOX	PARTIE INF. SAC	UNTERKORB
554	98004000/0	1	ASS. SACCO IN TELA	CANVASS GRASSCATCHER	ENSEMBLE SAC EN TOILE	KOMPLETTER SACK
555	81006408/0	1	TELAIO	CHASSIS	CHÂSSIS	RAHMEN
556	81002105/2	1	TELA SACCO	FABRIC BOX	TOILE POUR SAC	TUCK FÜR SACK