

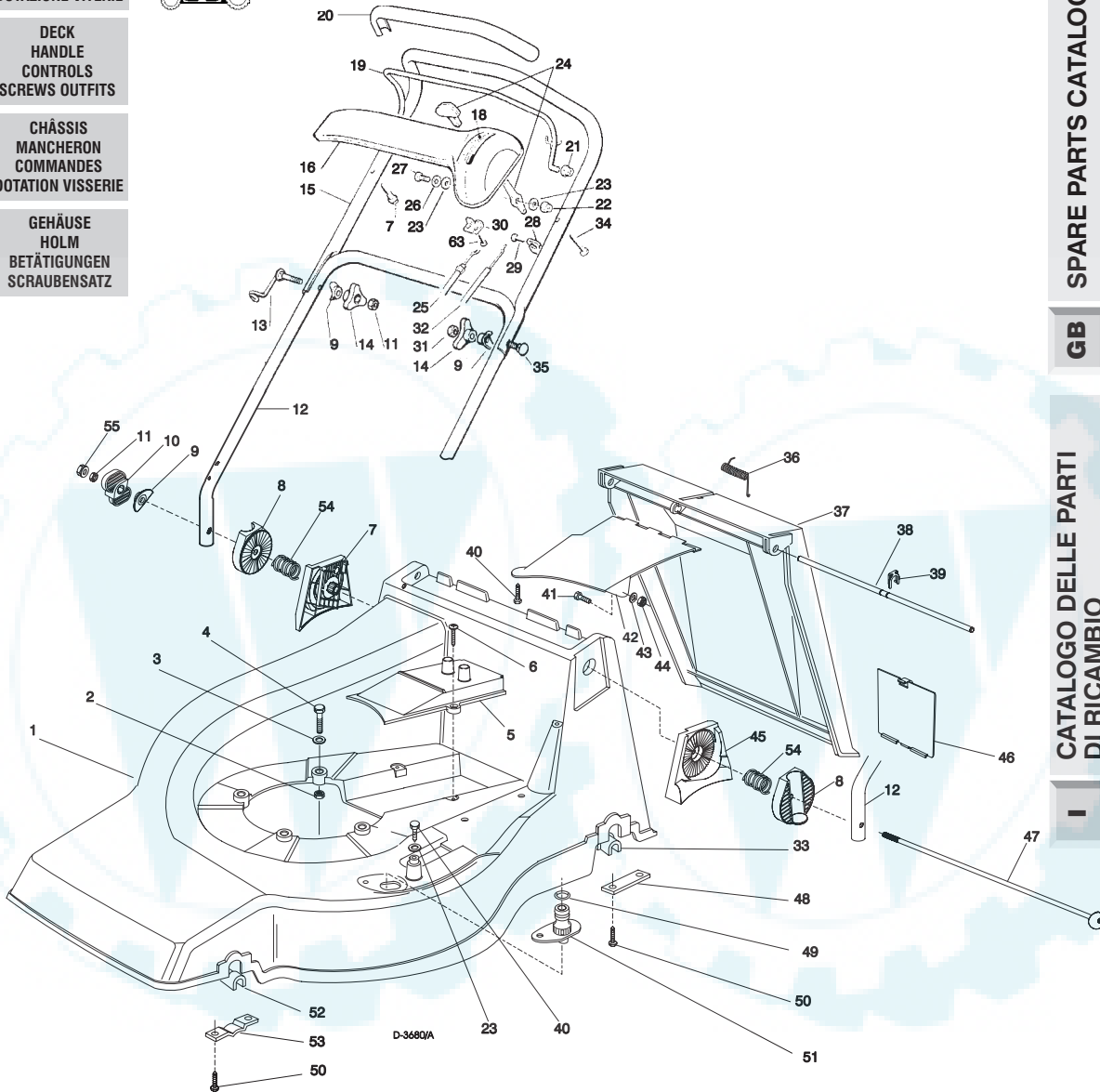
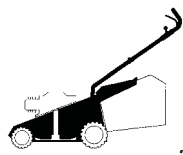
**PAN 504**

CHASSIS  
MANICO  
COMANDI  
DOTAZIONE VITERIE

DECK  
HANDLE  
CONTROLS  
SCREWS OUTFITS

CHÂSSIS  
MANCHERON  
COMMANDES  
DOTATION VISSERIE

GEHÄUSE  
HOLM  
BETÄTIGUNGEN  
SCRAUBENSATZ



SPARE PARTS CATALOGUE  
GB D

CATALOGO DELLE PARTI  
DI RICAMBIO  
I F  
CATALOGUE DES AILES  
DE RECHANGE

Pos. Nr.	Codice Code Kodex	Q.tà Q.ty-Q.tè Menge	Descrizione	Description	Description	Beschreibung
1			CHASSIS	DECK	CHÂSSIS	GEHÄUSE
—	81001714/0	1	ROSSO	RED	ROUGE	ROTES
—	81001715/0	1	GIALLO	YELLOW	JAUNE	GELBES
—	81001716/0	1	VERDE	GREEN	VERT	GRÜNES
2	12155000/0	3	DADO	NUT	ECROU	RIEMENSCHUTZ
3	12521350/0	3	RONDELLA	WASHER	RONDELLE	SCHEIBE
4	12691800/0	3	VITE	SCREW	VIS	SCHRAUBE
5	22060181/0	1	CARTER CINGHIA	BELT PROTECTION	PROTECTION COURROIRE	RIEMENSCHUTZ
6	12728522/0	2	VITE	SCREW	VIS	SCHRAUBE
7	22785077/0	1	SUPPORTO INTERNO DX	R. INTERNAL SUPPORT	SUPPORT INTERNE DROIT	INNERE HALTERUNG RECHTS
8	22785076/0	2	SUPPORTO ESTERNO	EXTERNAL SUPPORT	SUPPORT EXTERNE	AUßERE HALTERUNG
9	22680006/1	3	RONDELLA	WASHER	RONDELLE	SCHEIBE
10	22399803/0	1	MANOPOLINA	KNOB	POIGNÉE	GRIFF
11	12293202/0	3	DADO	NUT	ECROU	MUTTER
12	81007033/0	1	PARTE INF. MANICO	LOWER HANDLE	PARTIE INF. MANCHERON	UNTERHOLM
13	81003801/0	1	MOLLA GUIDA	SPRING	RESSORT	FEDER

T-3680/A

Pos. Nr.	Code Code Kodex	Q.tà Q.ty-Q.tè Menge	Descrizione	Description	Description	Beschreibung
14	22399900/0	2	MANOPOLINA	KNOB	POIGNÉE	GRIFF
15	81007018/0	1	PARTE SUP. MANICO	UPPER HANDLE	PARTIE SUP. MANCHERON	OBERHOLM
16	☛		CRUSCOTTO	DASH BOARD	CONSOLE	KONSOLE
—	22120154/0	1	ROSSO	RED	ROUGE	ROTE
—	22120152/0	1	GIALLO	YELLOW D	JAUNE	GELBE
—	22120158/0	1	NERO	BLACK	NOIRE	SCHWARZE
17	22943006/0	1	VITE	SCREW	VIS	SCHRAUBE
18	☛		ETICHETTA	LABEL	ETIQUETTE	ETIKETTE
—	14356743/0	1	(TECUMSEH-HONDA)	(TECUMSEH-HONDA)	(TECUMSEH-HONDA)	(TECUMSEH-HONDA)
—	14356744/0	1	(B&S)	(B&S)	(B&S)	(B&S)
19	81003291/2	1	LEVA FRENO MOTORE	BRAKE LEVER	LEVIER FREIN MOTEUR	MOTORBREMSEHEBEL
20	☛		IMPUGNATURA MANICO	HANDGRIP	POIGNÉE	HANDGRIFF
—	22291050/0	1	NERA	BLACK	NOIRE	SCHWARZER
—	22291051/0	1	ROSSA	RED	ROUGE	RÖTER
—	22291052/0	1	GIALLA	YELLOW	JAUNE	GELBER
21	22041966/0	2	BOCCOLA	BUSH	DOUILLE	BUCHSE
22	12154510/0	1	DADO	NUT	ECROU	MUTTER
23	12523040/0	3	RONDELLA	WASHER	RONDELLE	SCHIBE
24	81007280/2	1	ASS. LEVA + MANOPOLINA	LEVER + KNOB ASS. Y	ENS. LEVIER + POIGNÉE	HEBEL + GRIFF SATZ
25	12735105/0	2	VITE	SCREW	VIS	SCHRAUBE
26	12530060/0	1	RONDELLA ELASTICA	SPRING WASHER	RONDELLE ELASTIQUE	ELASTISCHE SCHIBE
27	12791500/0	1	VITE	SCREW	VIS	SCHRAUBE
28	22806612/0	1	SUPPORTO	SUPPORT	SUPPORT	HALTER
29	12728518/0	1	VITE	SCREW	VIS	SCHRAUBE
30	22981467/0	1	PIASTRINA	PLAQUE	PLAQUETTE	PLATTE
31	81007160/0	1	CAVO ACCELERATORE	THROTTLE CABLE	CABLE ACCELERATEUR	BESCHLEUNIGER KABEL
32	☛		CAVO FRENO MOTORE	THREAD MOTOR BRAKE	CABLE FREIN MOTEUR	MOTORBREMSEKABEL
—	81000629/0	1	(TECUMSEH)	(TECUMSEH)	(TECUMSEH)	(TECUMSEH)
—	81000631/0	1	(QUANTUM XM ES40)	(QUANTUM XM ES40)	(QUANTUM XM ES40)	(QUANTUM XM ES40)
—	81000641/0	1	(HONDA GCV 135-165)	(HONDA GCV 135-165)	(HONDA GCV 135-165)	(HONDA GCV 135-165)
33	22038399/0	2	BRONZINA	BUSH	DOUILLE	BUCHSE
34	12728460/0	1	VITE	SCREW	VIS	SCHRAUBE
35	12819201/0	1	VITE	SCREW	VIS	SCHRAUBE
36	22450270/0	1	MOLLA	SPRING	RESSORT	FEDER
37	22600023/2	1	PARASASSI	STONE-GUARD	PARE-PIERRES	PRALLBLECH
38	22517857/0	1	PERNO	PIN	PIVOT	BOLZEN
39	12436050/0	1	PIASTRINA	PLATE	PLAQUETTE	PLATTE
40	12729600/0	1	VITE	SCREW	VIS	SCHRAUBE
41	12789000/0	1	VITE	SCREW	VIS	SCHRAUBE
42	22108205/0	1	CONVOGLIATORE	CONVEYOR	CONVOYEUR	KONVEYOR
43	12523020/0	1	RONDELLA	WASHER	RONDELLE	SCHIBE
44	12154330/0	1	DADO	NUT	ECROU	MUTTER
45	22785078/0	1	SUPPORTO INTERNO SX	L. INTERNAL SUPPORT	SUPPORT INTERNE GAUCHE	INNERE HALTERUNG LINKS
46	22595352/0	1	PORTINA CHIUSURA	ISPECTION DOOR	VOYANT DE VISITE	ABDECKPLATTE
47	81001208/1	1	PERNO	PIN	PIVOT	BOLZEN
48	22545142/0	2	PIASTRINA	PLATE	PLAQUETTE	PLATTE
49	19035000/0	1	ANELLO OR	OR RING	BAGUE OR	RING OR
50	12731350/0	8	VITE	SCREW	VIS	SCHRAUBE
51	22034000/0	1	ATTACCO ACQUA LAVAGGIO	WASHING CONNECTION	ATTAQUE LAVAGE	WASCHENVERBINDUNG
52	22038400/1	2	BRONZINA	BUSH	DOUILLE	BUCHSE
53	22545156/0	2	PIASTRINA	PLATE	PLAQUETTE	PLATTE
54	22446190/0	2	MOLLA	SPRING	RESSORT	FEDER
55	12154200/0	1	DADO	NUT	ECROU	MUTTER
—	81008621/0	1	DOTAZIONE VITERIA	SCREWS OUTFIT	DOTATION VISSERIE	SCHRAUBEN SATZ
—	81008609/0	1	DOTAZIONE CRUSCOTTO	DASH-BOARD OUTFIT	DOTATION CONSOLE	KONSOLE SATZ

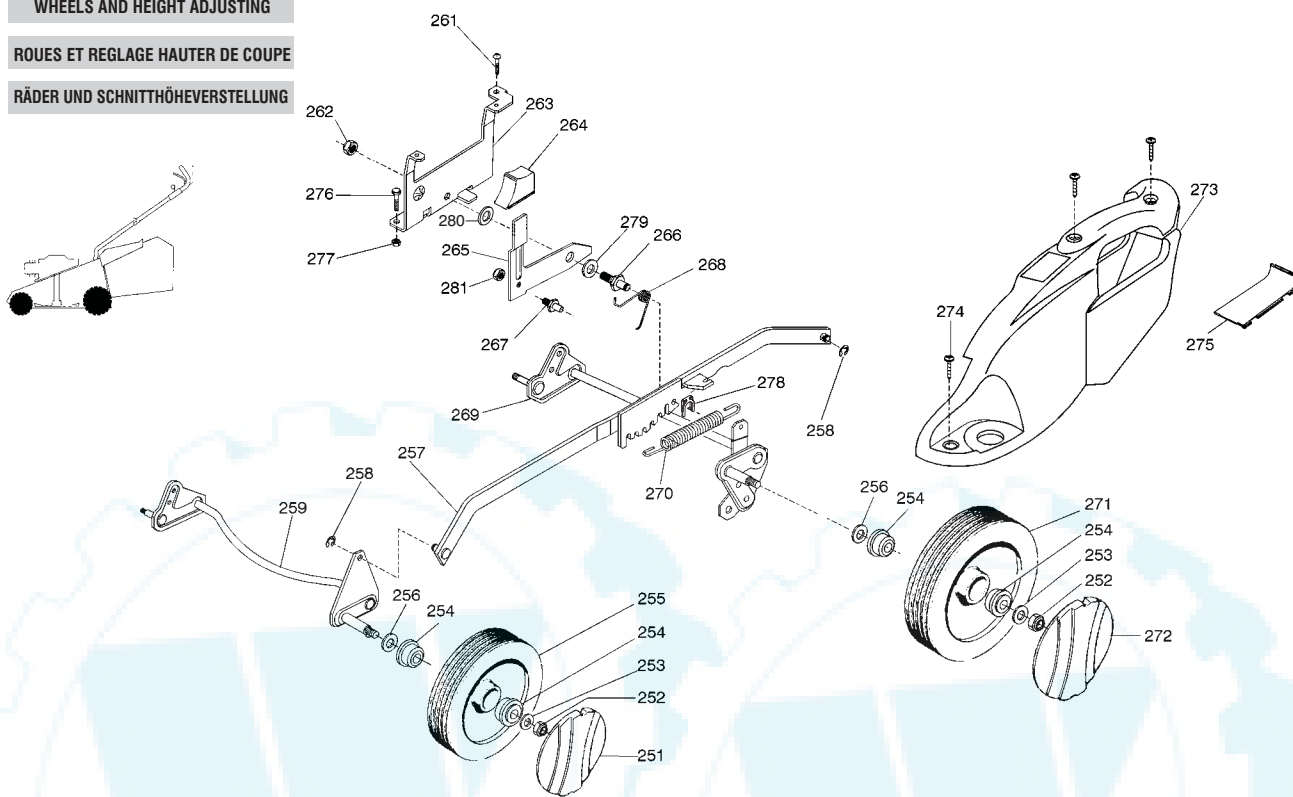
Pos. Nr.	Codice Code Kodex	Q.tà Q.ty-Q.tè Menge	Descrizione	Description	Description	Beschreibung
----------	-------------------	----------------------	-------------	-------------	-------------	--------------

**RUOTE E REGOLAZIONE**

**WHEELS AND HEIGHT ADJUSTING**

**ROUES ET REGLAGE HAUTEUR DE COUPE**

**RÄDER UND SCHNITTHÖHEVERSTELLUNG**

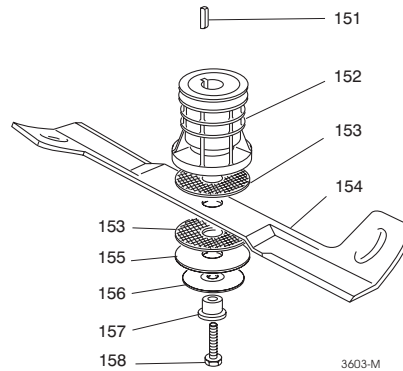
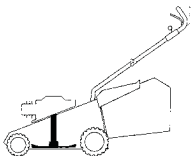


D-3680F

T-3680/F	251		COPRIMOZZO	HUB CAP	COUVRE-MOYEU	RADKAPPE	
	—	22110251/0	2	BIANCO Ø 170	WHITE Ø 170	BLANC Ø 170	WEIßE Ø 170
	—	22110253/0	2	GIALLO Ø 170	YELLOW Ø 170	JAUNE Ø 170	GELBE Ø 170
	—	22110256/0	2	ROSSO Ø 170	RED Ø 170	ROUGE Ø 170	ROTE RADKAPPE Ø 170
	252	12155000/0	4	DADO	NUT	ECROU	MUTTER
	253	12521350/0	4	RONDELLA	WASHER	RONDELLE	SCHEIBE
	254	22122200/0	8	CUSCINETTO	BEARING	COUSSINET	LAGER
	255	81007311/0	2	RUOTA Ø 170	WHEEL Ø 170	ROUE Ø 170	RAD Ø 170
	256	12530150/0	4	RONDELLA	WASCHER	RONDELLE	SCHEIBE
	257	81001135/0	1	ASTA	ROD	TIGE	STANGE
	—	81001137/0	1	ASTA (HONDA GCV 135/160)	ROD (HONDA GCV 135/160)	TIGE (HONDA GCV 135/160)	STANGE (HONDA GCV 135/160)
	258	12000930/0	2	ANELLO ELASTICO	ELASTIC RING	ANNEAU ELASTIQUE	ELASTISCHER RING
	259	81002801/0	1	ASSE RUOTE ANTERIORI	FRONT WHEELS AXLE	AXE ROUES AVANT	VORDERRADACHSE1
	261	12731350/0	1	VITE	SCREW	VIS	SCHRAUBE
	262	12155000/0	1	DADO	NUT	ECROU	MUTTER
	263	22785115/0	1	SUPPORTO REGOLAZIONE	ADJUSTMENT SUPPORT	SUPPORT REGLAGE	VERSTELLUNGHALTER
	264	22602000/0	1	PULSANTE COMANDO LEVA	LEVER CONTROL PUSHBUTTON	BOUTON DE COMMANDE LEVIER	STEUERHEBELDRUCKKNOPF
	265	22322829/1	1	LEVA REGOLAZIONE	ADJUSTMENT LEVER	LEVIER REGLAGE	VERSTELLUNGHEBEL
	266	22517880/1	1	PERNO	PIN	PIVOT	BOLZEN
	267	22519746/0	1	PERNO	PIN	PIVOT	BOLZEN
	268	22446176/0	1	MOLLA	SPRING	RESSORT	FEDER
	269	81002804/1	1	ASSE RUOTE POSTERIORI	REAR WHEELS AXLE	AXE ROUES ARRIERE	HINTERRADACHSE
	270	22446180/0	1	MOLLA	SPRING	RESSORT	FEDER
	271	81007313/0	2	RUOTA Ø 210	WHEEL Ø 210	ROUE Ø 210	RAD Ø 210
	272			COPRIMOZZO	HUB CAP	COUVRE-MOYEU	RADKAPPE
	—	22110252/0	2	BIANCO Ø 210	WHITE Ø 210	BLANC Ø 210	WEIßE Ø 210
	—	22110254/0	2	GIALLO Ø 210	YELLOW Ø 210	JAUNE Ø 210	GELBE Ø 210
	—	22110255/0	2	ROSSO Ø 210	RED Ø 210	ROUGE Ø 210	ROTE Ø 210
273	22060146/0	1	CARTER REGOLAZIONE	ADJUSTMENT DECK	CHÂSSIS REGLAGE	VERSTELLUNGSGEHÄUSE	
274	12728520/0	4	VITE	SCREW	VIS	SCHRAUBE	
275	22546070/0	1	PIASTRINA	PLAQUE	PLAQUETTE	PLATTE	
276	12793301/0	2	VITE	SCREW	VIS	SCHRAUBE	
277	12293201/0	2	DADO	NUT	ECROU	MUTTER	
278	12436050/0	1	ANELLO	RING	ANNEAU	RING	
279	22672152/0	1	RONDELLA	WASCHER	RONDELLE	SCHEIBE	
280	22672151/0	1	RONDELLA	WASCHER	RONDELLE	SCHEIBE	
281	12154510/0	1	DADO	NUT	ECROU	MUTTER	

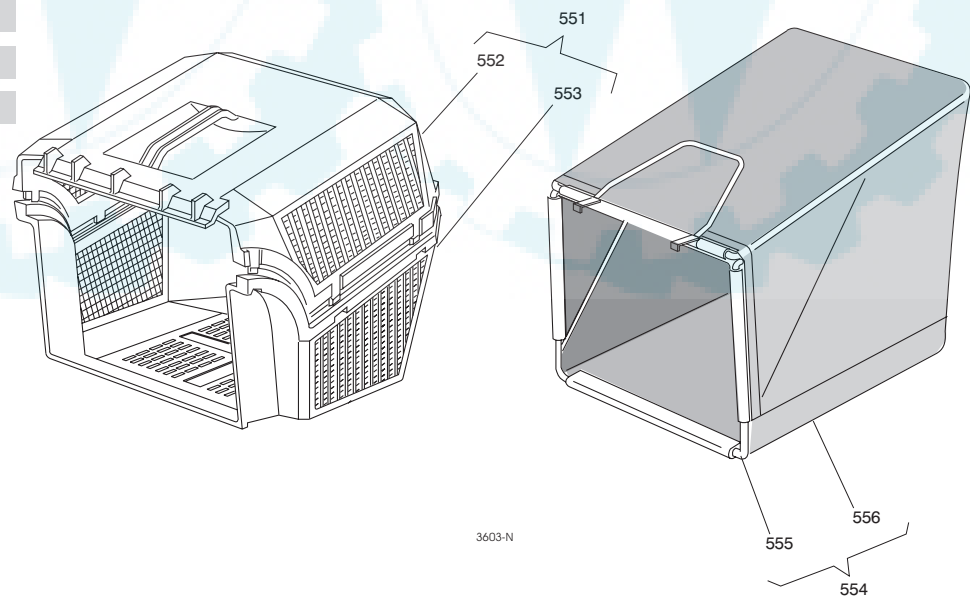
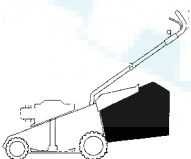
Pos. Nr.	Code Code Kodex	Q.tà Q.ty-Q.tè Menge	Descrizione	Description	Description	Beschreibung
----------	-----------------	----------------------	-------------	-------------	-------------	--------------

- GRUPPO COLTELLO**
- BLADE ASS.Y**
- GROUPE LAME**
- MESSERSATZ**



T-3640/M	501	12139100/0	1	LINGUETTA	FEATHER	CLAVETTE	KEIL
	502	22465611/0	1	MOZZO	HUB	MOYEU	NABE
	503	22672110/1	2	RONDELLA FRIZIONE	CLUTCH WASHER	RONDELLE FRICTION	KUPPLUNGSSCHEIBE
	504	81004395/1	1	COLTELLO	BLADE	LAME	MESSER
	505	12508120/0	1	MOLLA A TAZZA	CUPPED SPRING	RESSORT	TELLER FEDER
	506	22672105/0	1	RONDELLA	WASCHER	RONDELLE	SCHEIBE
	507	22041940/0	1	BUSSOLA FRIZIONE	CLUTCH BUSH	DOUILLE FRICTION	KUPPLUNGSSCHEIBE
	508	12736850/0	1	VITE	SCREW	VIS	SCHRAUBE

- SACCO RACCOGLIERBA**
- GRASS-CATCHER**
- BAC DE RAMASSAGE**
- GRASFANGKORB**



T-3640/N	551	96500000/0	1	SACCO COMPLETO	COMPLETE GRASS-BOX	BAC COMPLETE	KOMPLETER KORB
	552	22486065/0	1	PARTE SUPER. SACCO	UPPER GRASS-BOX	PARTE SUPERIEURE SAC	OBERKORB
	553	22486064/0	1	PARTE INFER. SACCO	LOWER GRASS-BOX	PARTE INFERIEURE SAC	UNTERKORB
	554	96400000/0	1	ASS. SACCO TELA	CANVASS GRASSCATCHER ASS.Y	ENSEMBLE SAC EN TOILE	KOMPLETTER SACK
	555	81006430/0	1	TELAIO	CHASSIS	CHASSIS	RAHMEN
	556	81002124/0	1	TELA SACCO	FABRIC BOX	TOILE POUR SAC	TUCK FÜR SACK