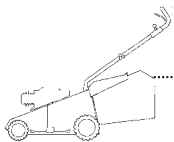


PAN 504 TR 3S

PAN 504 TR-E 3S

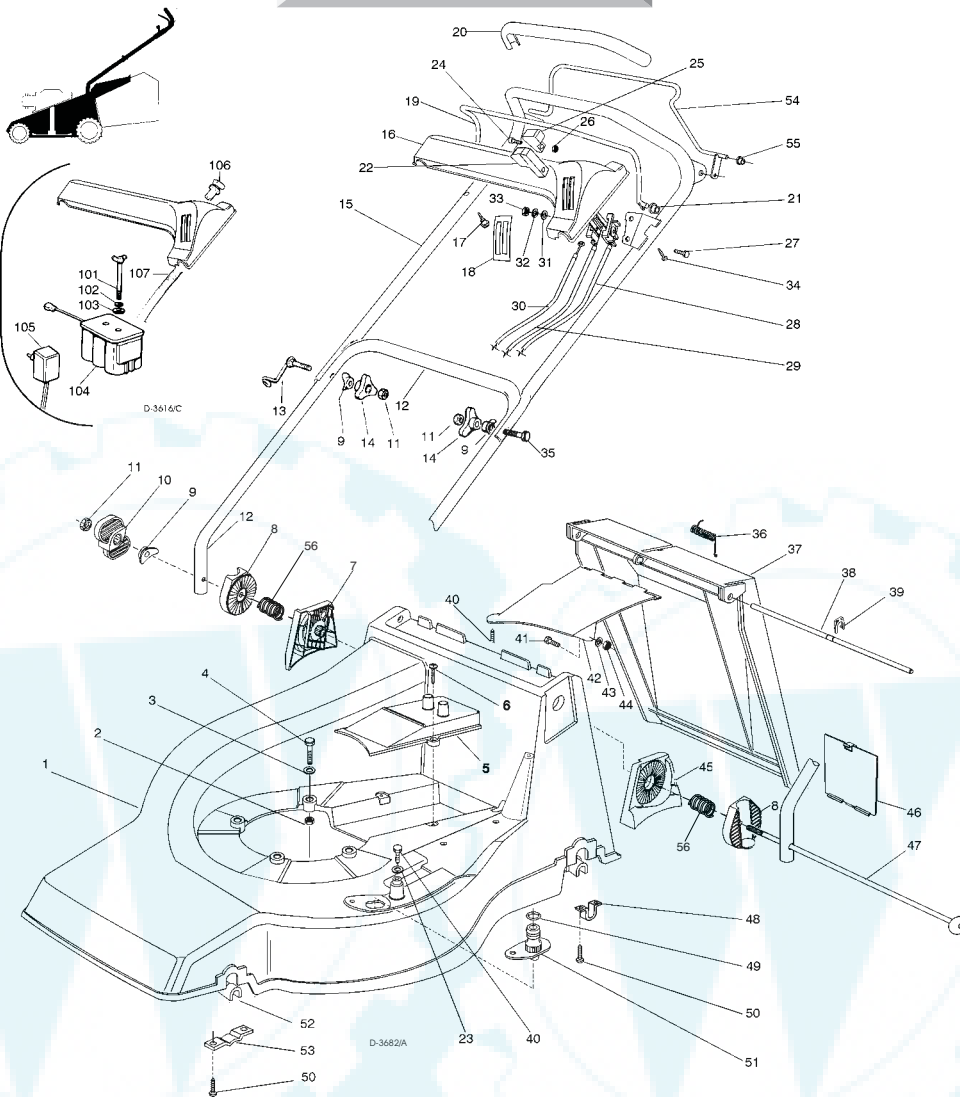


CHASSIS
MANICO
COMANDI
DOTAZIONE VITERIE

DECK
HANDLE
CONTROLS
SCREWS OUTFITS

CHÂSSIS
MANCHERON
COMMANDES
DOTATION VISSERIE

GEHÄUSE
HOLM
BETÄTIGUNGEN
SCRAUBENSATZ



SPARE PARTS CATALOGUE

ERSATZTEILKATALOG

GB

D

CATALOGO DELLE PARTI
DI RICAMBIO

CATALOGUE DES PIÈCES
DE RECHANGE

I

F

Pos. Nr.	Codice Code Kodex	Q.tà Q.ty-Q.tè Menge	Descrizione	Description	Description	Beschreibung
1			CHASSIS	DECK	CHÂSSIS	GEHÄUSE
—	81001714/0	1	ROSSO	RED	ROUGE	ROTES
—	81001715/0	1	GIALLO	YELLOW	JAUNE	GELBES
—	81001716/0	1	VERDE	GREEN	VERT	GRÜNES
2	12155000/0	3	DADO	NUT	ECROU	MUTTER
3	12521350/0	3	RONDELLA	WASHER	RONDELLE	SCHIBE
4	12691800/0	3	VITE	SCREW	VIS	SCHRAUBE
5	22060181/0	1	CARTER CINGHIA	BELT PROTECTION	PROTECTION COURROIRE	RIEMENSCHUTZ
6	12728522/0	2	VITE	SCREW	VIS	SCHRAUBE
7	22785077/0	1	SUPPORTO INTERNO DX	RH INTERNAL SUPPORT	SUPPORT INTERNE DROIT	INNERE HALTERUNG RECHTS
8	22785076/0	2	SUPPORTO ESTERNO	EXTERNAL SUPPORT	SUPPORT EXTERNE	AUßERE HALTERUNG
9	22680006/1	3	RONDELLA	WASHER	RONDELLE	SCHIBE
10	22399803/0	1	MANOPOLINA	KNOB	POIGNÉE	GRIFF
11	12293202/0	3	DADO	NUT	ECROU	MUTTER
12	81007033/0	1	PARTE INF. MANICO	LOWER HANDLE	PARTIE INF. MANCHERON	UNTERHOLM
13	81003801/0	1	MOLLA GUIDA	SPRING	RESSORT	FEDER
14	22399900/0	2	MANOPOLINA	KNOB	POIGNÉE	GRIFF
15	81007032/0	1	PARTE SUP. MANICO	UPPER HANDLE	PARTIE SUP. MANCHERON	OBERHOLM
16			CRUSCOTTO	DASH BOARD	CONSOLE	KONSOLE
—	22120150/0	1	ROSSO	RED	ROUGE	ROTE
—	22120148/0	1	GIALLO	YELLOW	JAUNE	GELBE
—	22120164/0	1	NERO	BLACK	NOIRE	SCHWARZE
17	22943006/0	1	VITE	SCREW	VIS	SCHRAUBE
18			ETICHETTA	LABEL	ETIQUETTE	ETIKETTE
—	14356797/0	1	(TECUMSEH-HONDA)	(TECUMSEH-HONDA)	(TECUMSEH-HONDA)	(TECUMSEH-HONDA)
—	14356795/0	1	(B&S)	(B&S)	(B&S)	(B&S)
19	81003291/2	1	LEVA FRENO MOTORE	BRAKE LEVER	LEVIER FREIN MOTEUR	MOTORBREMSEHEBEL

Pos. Nr.	Codice Code Kodex	Q.tà Q.ty-Q.tè Menge	Descrizione	Description	Description	Beschreibung
20	22291050/0	1	IMPUGNATURA MANICO NERA	HANDGRIP BLACK	POIGNÉE NOIRE	HANDGRIFF SCHWARZER
—	22291051/0	1	ROSSA	RED	ROUGE	RÖTER
—	22291052/0	1	GIALLA	YELLOW	JAUNE	GELBER
21	22041966/0	2	BOCCOLA	BUSH	DOUILLE	BUCHSE
22	22399802/0	1	MANOPOLINA	KNOB	POIGNÉE	GRIFF
23	12523040/0	3	RONDELLA	WASHER	RONDELLE	SCHEIBE
24	12726388/0	2	VITE	SCREW	VIS	SCHRAUBE
25	22399801/0	1	MANOPOLINA	KNOB	POIGNÉE	GRIFF
26	12290800/0	2	DADO	NUT	ECROU	MUTTER
27	12788910/0	2	VITE	SCREW	VIS	SCHRAUBE
28	81007092/0	1	CAVO ACCELERATORE	THROTTLE CABLE	CABLE ACCELERATEUR	BESCHLEUNIGER KABEL
29	81007099/0	1	COMANDO MARCE	SPEED DRIVE CONTROL	COMM. CHANGEMENT VITESSE	GÄNGESCHALTUNKABEL
30	81000633/0	1	CAVO FRENO MOTORE	THREAD MOTOR BRAKE	CABLE FREIN MOTEUR	MOTORBREMSEKABEL
31	12523020/0	2	RONDELLA	WASHER	RONDELLE	SCHEIBE
32	12581500/0	2	GROWER	GROWER	GROWER	GROWER
33	12291000/0	2	DADO	NUT	ECROU	MUTTER
34	12728460/0	1	VITE	SCREW	VIS	SCHRAUBE
35	12819201/0	1	VITE	SCREW	VIS	SCHRAUBE
36	22450270/0	1	MOLLA	SPRING	RESSORT	FEDER
37	22600023/2	1	PARASASSI	STONE-GUARD	PARE-PIERRES	PRALLBLECH
38	22517857/0	1	PERNO	PIN	PIVOT	BOLZEN
39	12436050/0	1	PIASTRINA	PLATE	PLAQUETTE	PLATTE
40	12729600/0	1	VITE	SCREW	VIS	SCHRAUBE
41	12789000/0	1	VITE	SCREW	VIS	SCHRAUBE
42	22108205/0	1	CONVOGLIATORE	CONVEYOR	CONVOYEUR	KONVEYOR
43	12523020/0	1	RONDELLA	WASHER	RONDELLE	SCHEIBE
44	12154330/0	1	DADO	NUT	ECROU	MUTTER
45	22785078/0	1	SUPPORTO INTERNO SX	L. INTERNAL SUPPORT	SUPPORT INTERNE GAUCHE	INNERE HALTERUNG LINKS
46	22595352/0	1	PORTINA CHIUSURA	ISPECTION DOOR	VOYANT DE VISITE	ABDECKPLATTE
47	81001208/1	1	PERNO	PIN	PIVOT	BOLZEN
48	22545152/0	2	PIASTRINA	PLATE	PLAQUETTE	PLATTE
49	19035000/0	1	ANELLO OR	OR RING	BAGUE OR	RING OR
50	12731350/0	8	VITE	SCREW	VIS	SCHRAUBE
51	22034000/0	1	ATTACCO ACQUA LAVAGGIO	WASHING CONNECTION	ATTAQUE LAVAGE	WASCHENVERBINDUNG
52	22038400/1	2	BRONZINA	BUSH	DOUILLE	BUCHSE
53	22545156/0	2	PIASTRINA	PLATE	PLAQUETTE	PLATTE
54	81003288/1	1	LEVA	LEVER	LEVIER	HEBEL
55	22014965/0	2	BUSSOLA	BUSH	DOUILLE	BUCHSE
56	22446190/0	2	MOLLA	SPRING	RESSORT	FEDER

—	81008621/0	1	DOTAZIONE VITERIA	SCREWS OUTFIT	DOTATION VISSERIE	SCHRAUBEN SATZ
—	81008609/0	1	DOTAZIONE CRUSCOTTO	DASH-BOARD OUTFIT	DOTATION CONSOLE	KONSOLE SATZ

VARIANTI PER AVVIAMENTO ELETTRICO	PARTS FOR ELECTRIC START	COMPOSANTS POUR DÉMARRAGE ÉLECTRIQUE	ELEKTROSTART BESTANDTEILE
-----------------------------------	--------------------------	--------------------------------------	---------------------------

T-3616/C

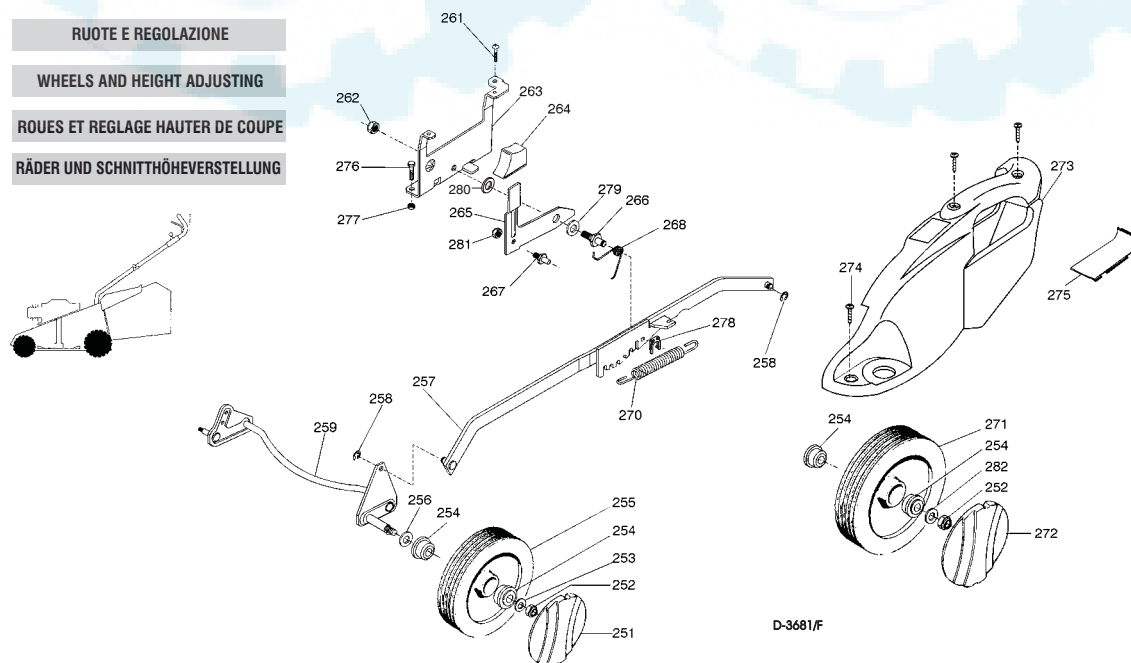
101	22517855/0	2	PERNO	PIN	PIVOT	BOLZEN
102	12523000/0	2	RONDELLA	WASHER	RONDELLE	SCHEIBE
103	12540020/0	2	RONDELLA	WASHER	RONDELLE	SCHEIBE
104	18120050/0	1	BATTERIA	BATTERY	BATTERIE	BATTERIE
105	18204110/0	1	CARICA BATTERIA	BATTERY CHARGER	CHARGEUR DE BATTERIE	LADGERÄT
106	18450050/0	1	INTERRUPTORE	SWITCH	INTERRUPTEUR	SCHALTER
107	18204190/2	1	CAVO AVVIAMENTO	START CABLE	CABLE DÉMARRAGE	STARTKABEL

RUOTE E REGOLAZIONE

WHEELS AND HEIGHT ADJUSTING


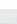
ROUES ET REGLAGE HAUTEUR DE COUPE

RÄDER UND SCHNITTHÖHEVERSTELLUNG

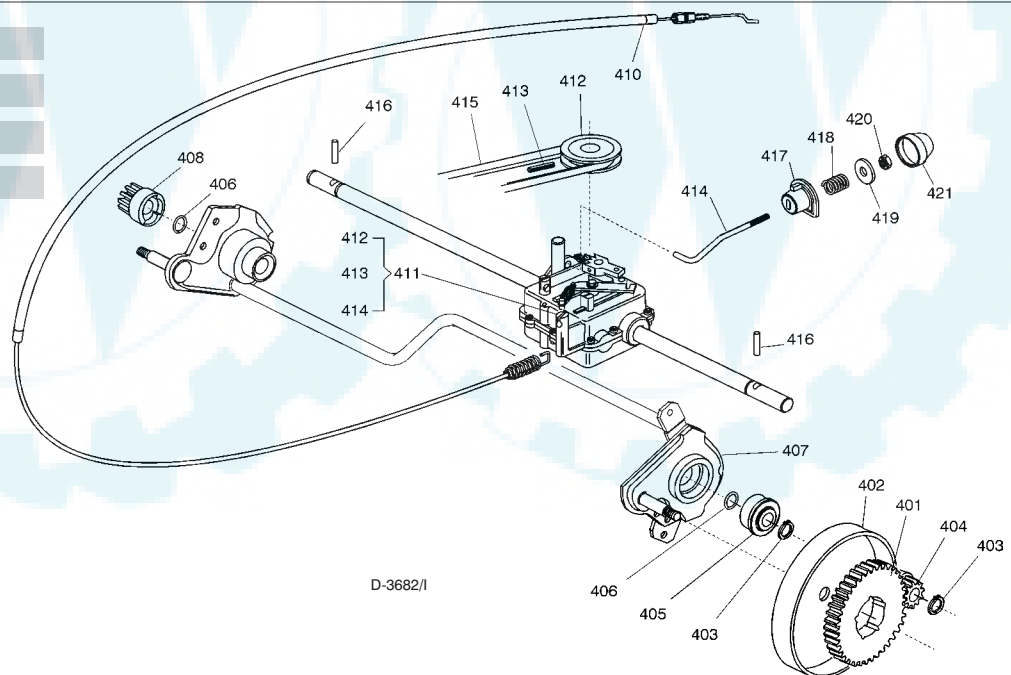
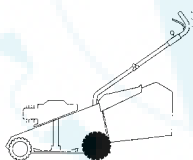


D-3681/F

T-3681/F

Pos. Nr.	Code Code Kodex	Q.tà Q.ty-Q.tè Menge	Descrizione	Description	Description	Beschreibung
251			COPRIMOZZO	HUB CAP	COUVRE-MOYEU	RADKAPPE
—	22110251/0	2	BIANCO Ø 170	WHITE Ø 170	BLANC Ø 170	WEIBE Ø 170
—	22110253/0	2	GIALLO Ø 170	YELLOW Ø 170	JAUNE Ø 170	GELBE Ø 170
—	22110256/0	2	ROSSO Ø 170	RED Ø 170	ROUGE Ø 170	ROTE RADKAPPE Ø 170
252	12155000/0	4	DADO	NUT	ECROU	MUTTER
253	12521350/0	4	RONDELLA	WASHER	RONDELLE	SCHEIBE
254	22122200/0	8	CUSCINETTO	BEARING	COUSSINET	LAGER
255	81007311/0	2	RUOTA Ø 170	WHEEL Ø 170	ROUE Ø 170	RAD. Ø 170
256	12530150/0	4	RONDELLA	WASHER	RONDELLE	SCHEIBE
257	81001135/0	1	ASTA	ROD	TIGE	STANGE
—	81001137/0	1	ASTA (HONDA GCV 135/160)	ROD (HONDA GCV 135/160)	TIGE (HONDA GCV 135/160)	STANGE (HONDA GCV 135/160)
258	12000930/0	2	ANELLO ELASTICO	ELASTIC RING	ANNEAU ELASTIQUE	ELASTISCHER RING
259	81002801/0	1	ASSE RUOTE ANTERIORI	FRONT WHEELS AXLE	AXE ROUES AVANT	VORDERRADACHSE1
261	12731350/0	1	VITE	SCREW	VIS	SCHRAUBE
262	12155000/0	1	DADO	NUT	ECROU	MUTTER
263	22785115/0	1	SUPPORTO REGOLAZIONE	ADJUSTMENT SUPPORT	SUPPORT REGLAGE	VERSTELLUNGHALTER
264	22602000/0	1	PULSANTE COMANDO LEVA	LEVER CONTROL PUSHBUTTON	BOUTON DE COMMANDE LEVIER	STEUERHEBELDRUCKKNOPF
265	22322829/1	1	LEVA REGOLAZIONE	ADJUSTMENT LEVER	LEVIER REGLAGE	VERSTELLUNGHEBEL
266	22517880/1	1	PERNO	PIN	PIVOT	BOLZEN
267	22519746/0	1	PERNO	PIN	PIVOT	BOLZEN
268	22446176/0	1	MOLLA	SPRING	RESSORT	FEDER
270	22446180/0	1	MOLLA	SPRING	RESSORT	FEDER
271	81007313/0	2	RUOTA Ø 210	WHEEL Ø 210	ROUE Ø 210	RAD. Ø 210
272			COPRIMOZZO	HUB CAP	COUVRE-MOYEU	RADKAPPE
—	22110252/0	2	BIANCO Ø 210	WHITE Ø 210	BLANC Ø 210	WEIBE Ø 210
—	22110254/0	2	GIALLO Ø 210	YELLOW Ø 210	JAUNE Ø 210	GELBE Ø 210
—	22110255/0	2	ROSSO Ø 210	RED Ø 210	ROUGE Ø 210	ROTE Ø 210
273	22060146/0	1	CARTER REGOLAZIONE	ADJUSTMENT DECK	CHÂSSIS REGLAGE	VERSTELLUNGSGEHÄUSE
274	12728520/0	4	VITE	SCREW	VIS	SCHRAUBE
275	22546070/0	1	PIASTRINA	PLAQUE	PLAQUETTE	PLATTE
276	12793301/0	2	VITE	SCREW	VIS	SCHRAUBE
277	12293201/0	2	DADO	NUT	ECROU	MUTTER
278	12436050/0	1	ANELLO	RING	ANNEAU	RING
279	22672152/0	1	RONDELLA	WASHER	RONDELLE	SCHEIBE
280	22672151/0	1	RONDELLA	WASHER	RONDELLE	SCHEIBE
281	12154510/0	1	DADO	NUT	ECROU	MUTTER
282	12369500/0	2	DISCO ELASTICO	ELASTIC WASHER	RONDELLE ELASTIQUE	ELASTISCHE SCHEIBE

- GRUPPO TRAZIONE
- REAR DRIVE
- GROUPE TRACTION
- ANTRIEB



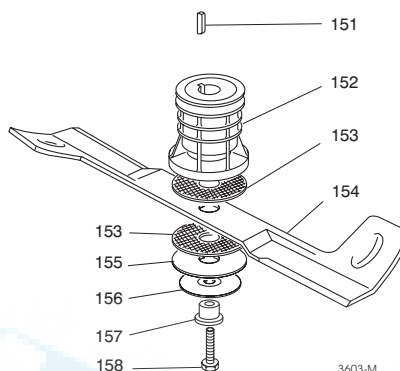
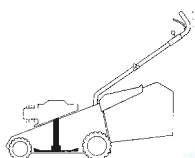
D-3682/I

T-3682/I

401	22120105/1	2	CORONA	RING GEAR	COURONNE	KRANZ
402	81006846/0	2	PROTEZIONE RUOTE	WHEEL GUARD	PROTECTION ROUE	RÄDERSCHUTZ
403	12608600/0	4	SEEGER	SEEGER	SEEGER	SEEGER
404	22570120/0	1	PIGNONE SINISTRO	LEFT PINION	PIGNON GAUCHE	LINKES RITZEL
405	22122200/0	2	CUSCINETTO	BEARING	ROULEMENT	KUGELLAGER
406	12019900/0	2	ANELLO OR	OR RING	BAGUE OR	RING OR
407	81002808/1	1	ASSE RUOTE POSTERIORI	REAR WHEELS AXLE	AXE ROUES ARRIERE	HINTERRADACHSE
408	22570110/0	1	PIGNONE DESTRO	RIGHT PINION	PIGNON DROITE	RECHTES RITZEL
410	81001139/0	1	ASS. COMANDO TRAZIONE	REAR DRIVE ASS.Y	ENS. COMMANDE TRACTION	ANTRIEBKABEL
411	81003071/0	1	ASS. GRUPPO TRAZIONE	GEAR BOX ASS.Y	ENS. GROUPE TRACTION	ANTRIEBSATZ
412	22601904/0	1	PULEGGIA	PULLEY	POULIE	RIEMENSCHIBE
413	12645705/0	1	SPINA	PIN	GOUPILLE	STIFT
414	22033281/0	1	ASTA REGOLAZIONE	ADJUSTMENT ROD	TIGE REGLAGE	VERSTELLUNGSTANGE
415	35064195/0	1	CINGHIA Z 33	BELT Z 33	COURROIRE Z 33	RIEMEN Z 33
416	22753000/0	2	SPINA	PIN	GOUPILLE	STIFT
417	22041957/0	1	BUSSOLA	BUSH	DOUILLE	BUCHSE
418	22450063/0	1	MOLLA	SPRING	RESSORT	FEDER

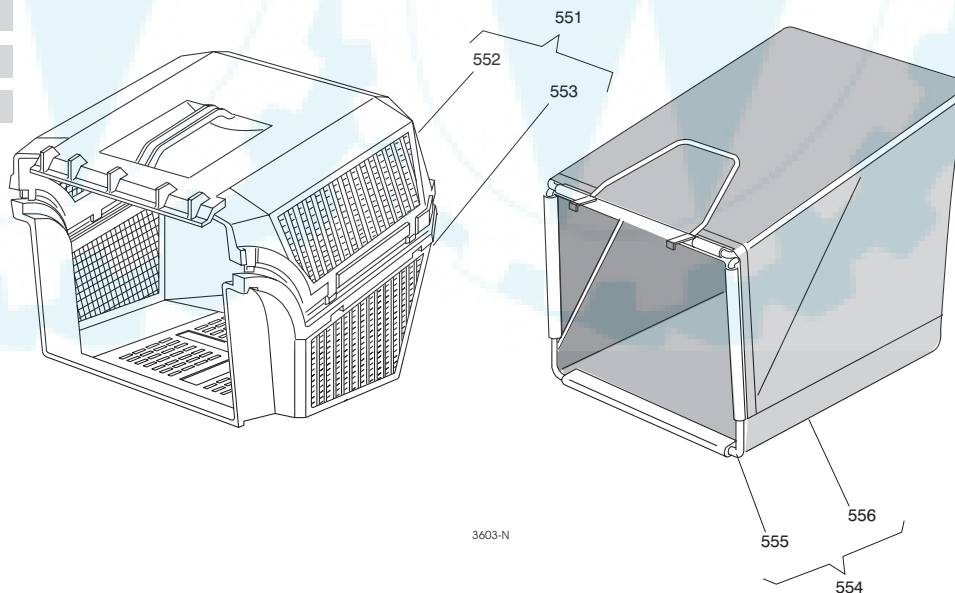
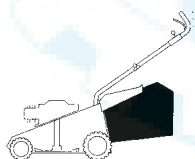
Pos. Nr.	Codice Code Kodex	Q.tà Q.ty-Q.tè Menge	Descrizione	Description	Description	Beschreibung
419	22680009/0	1	RONDELLA	WASHER	RONDELLE	SCHEIBE
420	12154510/0	1	DADO	NUT	ECROU	MUTTER
421	22110230/0	1	TAPPO	CAP	BOUCHON	GUMMISTOPFEN

- GRUPPO COLTELLO**
- BLADE ASS.Y**
- GROUPE LAME**
- MESSERSATZ**



T-3640/M	501	12139100/0	1	LINGUETTA	FEATHER	CLAVETTE	KEIL
	502	22465611/0	1	MOZZO	HUB	MOYEU	NABE
	503	22672110/1	2	RONDELLA FRIZIONE	CLUTCH WASHER	RONDELLE FRICTION	KUPPLUNGSSCHEIBE
	504	81004395/1	1	COLTELLO	BLADE	LAME	MESSER
	505	12508120/0	1	MOLLA A TAZZA	CUPPED SPRING	RESSORT	TELLER FEDER
	506	22672105/0	1	RONDELLA	WASHER	RONDELLE	SCHEIBE
	507	22041940/0	1	BUSSOLA FRIZIONE	CLUTCH BUSH	DOUILLE FRICTION	KUPPLUNGSSCHEIBE
	508	12736850/0	1	VITE	SCREW	VIS	SCHRAUBE

- SACCO RACCOGLIERBA**
- GRASS-CATCHER**
- BAC DE RAMASSAGE**
- GRASFANGKORB**



T-3640/N	551	96500000/0	1	SACCO COMPLETO	COMPLETE GRASS-BOX	BAC COMPLETE	KOMPLETER KORB
	552	22486065/0	1	PARTE SUPER. SACCO	UPPER GRASS-BOX	PARTE SUPERIEURE SAC	OBERKORB
	553	22486064/0	1	PARTE INFER. SACCO	LOWER GRASS-BOX	PARTE INFERIEURE SAC	UNTERKORB
	554	96400000/0	1	ASS. SACCO TELA	CANVASS GRASSCATCHER	ENSEMBLE SAC EN TOILE	KOMPLETTER SACK
					ASS.Y		
	555	81006430/0	1	TELAIO	CHASSIS	CHASSIS	RAHMEN
	556	81002124/0	1	TELA SACCO	FABRIC BOX	TOILE POUR SAC	TUCK FÜR SACK