

NGL 504 TR

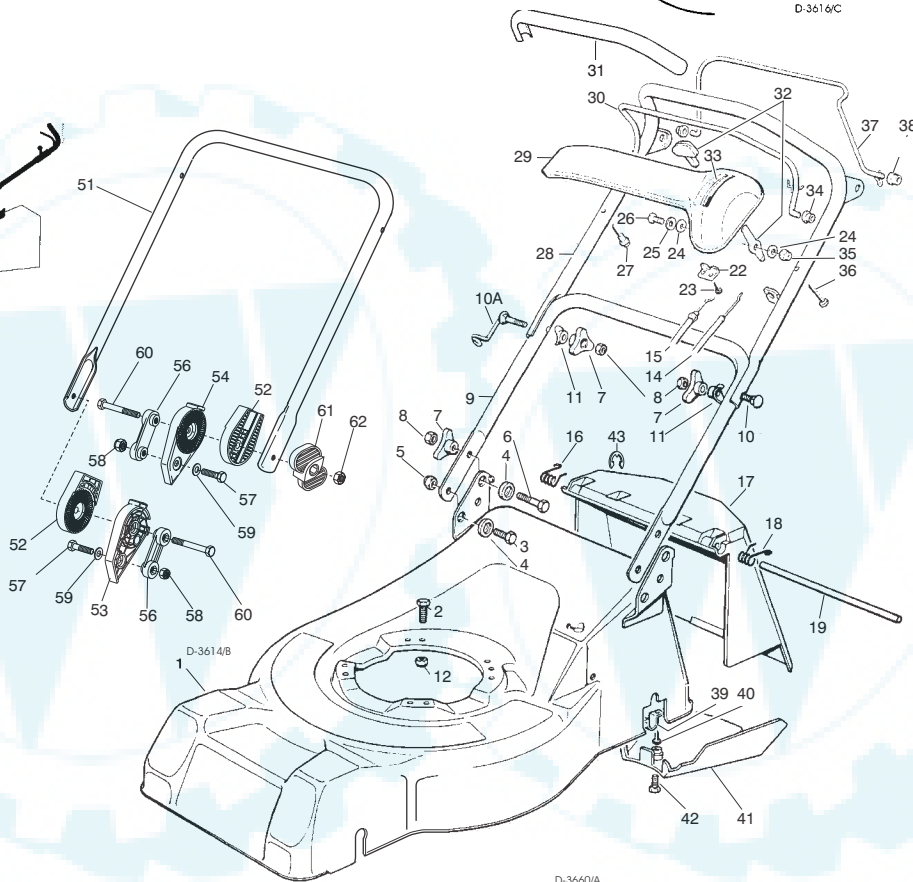
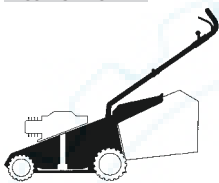
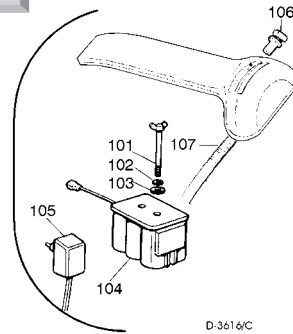
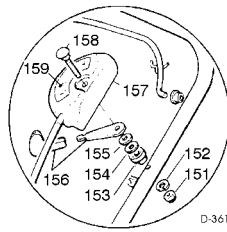
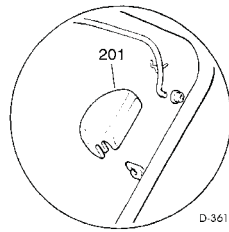
NGL 504 TR-E

CHASSIS
MANICO
COMANDI
DOTAZIONE VITERIE

DECK
HANDLE
CONTROLS
SCREWS OUTFITS

CHÂSSIS
MANCHERON
COMMANDES
DOTATION VISSERIE

GEHÄUSE
HOLM
BETÄTIGUNGEN
SCRAUBENSATZ



SPARE PARTS CATALOGUE

ERSATZTEILKATALOG

GB

D

CATALOGO DELLE PARTI
DI RICAMBIO

CATALOGUE DES PIÈCES
DE RECHANGE

I

F

T-3660/A

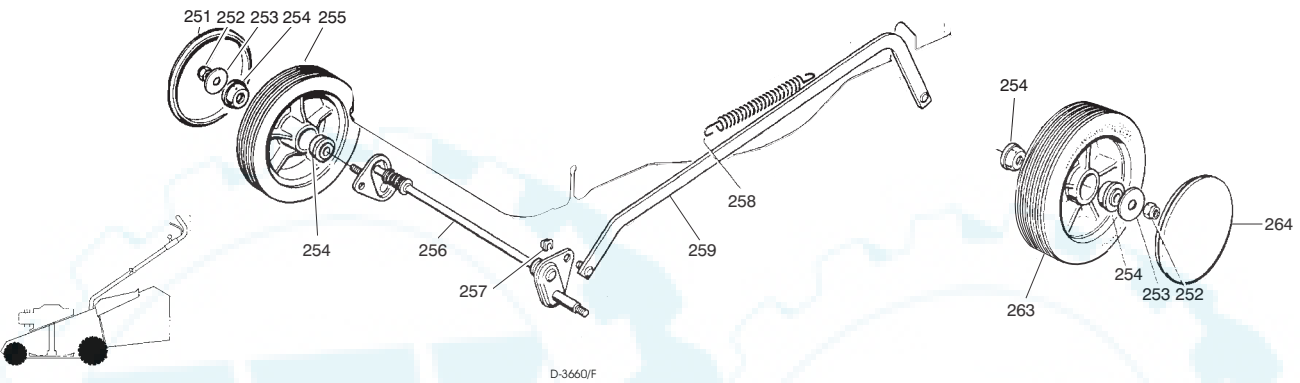
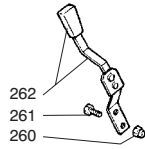
| Pos. Nr. | Code Code Kodex | Q.tà Q.ty-Q.tè Menge | Descrizione | Description | Description | Beschreibung |
|----------|-----------------|----------------------|--------------------|---------------|-----------------------|---------------|
| 1 | | | CHASSIS | DECK | CHÂSSIS | GEHÄUSE |
| — | 81001611/0 | 1 | ROSSO (TR) | RED (TR) | ROUGE (TR) | ROTES (TR) |
| — | 81001612/0 | 1 | GIALLO (TR) | YELLOW (TR) | JAUNE (TR) | GELBES (TR) |
| — | 81001613/0 | 1 | VERDE (TR) | GREEN (TR) | VERT (TR) | GRÜNES (TR) |
| — | 81001672/0 | 1 | ROSSO (TR-E) | RED (TR-E) | ROUGE (TR-E) | ROTES (TR-E) |
| — | 81001673/0 | 1 | GIALLO (TR-E) | YELLOW (TR-E) | JAUNE (TR-E) | GELBES (TR-E) |
| — | 81001674/0 | 1 | VERDE (TR-E) | GREEN (TR-E) | VERT (TR-E) | GRÜNES (TR-E) |
| 2 | | | VITE | SCREW | VIS | SCHRAUBE |
| — | 12793700/0 | 3/2 | (M8x30) | (M8x30) | (M8x30) | (M8x30) |
| — | 12691800/0 | 0/1 | (M8x60) | (M8x60) | (M8x60) | (M8x60) |
| 3 | 12792610/0 | 2 | VITE | SCREW | VIS | SCHRAUBE |
| 4 | 22041955/0 | 4 | BUSSOLA | BUSH | DOUILLE | BUCHSE |
| 5 | 12155000/0 | 2 | DADO | NUT | ECROU | MUTTER |
| 6 | 12793700/0 | 2 | VITE | SCREW | VIS | SCHRAUBE |
| 7 | 22399900/0 | 4 | MANOPOLINA | KNOB | POIGNÉE | GRIFF |
| 8 | 12293200/0 | 4 | DADO | NUT | ECROU | MUTTER |
| 9 | 81006990/0 | 1 | PARTIE INF. MANICO | LOWER HANDLE | PARTIE INF. MANCHERON | UNTERHOLM |
| 10 | 12819201/0 | 1 | VITE | SCREW | VIS | SCHRAUBE |
| 10A | 81003801/0 | 1 | MOLLA GUIDA | SPRING | RESSORT | FEDER |
| 11 | 22680006/1 | 2 | RONDELLA | WASHER | RONDELLE | SCHEIBE |

| Pos. Nr. | Code Code Kodex | Q.tà Q.ty-Q.tè Menge | Descrizione | Description | Description | Beschreibung | |
|----------|-----------------|----------------------|--|----------------------------------|---|----------------------------------|-------------------------|
| 12 | 12293201/0 | 3/2 | DADO | NUT | ECROU | MUTTER | |
| — | 12155000/0 | 0/1 | DADO | NUT | ECROU | MUTTER | |
| 14 | 81007160/0 | 1 | CAVO ACCELERATORE | THROTTLE CABLE | CABLE ACCELERATEUR | BESCHLEUNIGER KABEL | |
| 15 | 81000629/0 | 1 | CAVO FRENO MOTORE (TECUMSEH) | THREAD MOTOR BRAKE (TECUMSEH) | CABLE FREIN MOTEUR (TECUMSEH) | MOTORBREMSEKABEL (TECUMSEH) | |
| — | 81000631/0 | 1 | (QUANTUM XM-ES 40) | (QUANTUM XM-ES 40) | (QUANTUM XM-ES 40) | (QUANTUM XM-ES 40) | |
| — | 81000625/0 | 1 | (SPRINT 375/QUATTRO) | (SPRINT 375/QUATTRO) | (SPRINT 375/QUATTRO) | (SPRINT 375/QUATTRO) | |
| — | 81000640/0 | 1 | (HONDA GCV 135/160) | (HONDA GCV 135/160) | (HONDA GCV 135/160) | (HONDA GCV 135/160) | |
| 16 | 22450410/1 | 1 | MOLLA DX | RIGHT SPRING | RESSORT DROITE | RECHTE FEDER | |
| 17 | 22600028/4 | 1 | PARASASSI | STONE-GUARD | PARE-PIERRES | PRALLBLECH | |
| 18 | 22450420/1 | 1 | MOLLA SX | LEFT SPRING | RESSORT GAUCHE | LINKE FEDER | |
| 19 | 22517906/1 | 1 | PERNO | PIN | PIVOT | BOLZEN | |
| 22 | 22981467/0 | 1 | PIASTRINA | PLAQUE | PLAQUETTE | PLATTE | |
| 23 | 12735105/0 | 2 | VITE | SCREW | VIS | SCHRAUBE | |
| 24 | 12523040/0 | 2 | RONDELLA | WASHER | RONDELLE | SCHEIBE | |
| 25 | 12530060/0 | 1 | RONDELLA ELASTICA | SPRING WASHER | RONDELLE ELASTIQUE | ELASTISCHE SCHEIBE | |
| 26 | 12791500/0 | 1 | VITE | SCREW | VIS | SCHRAUBE | |
| 27 | 22943006/0 | 1 | VITE | SCREW | VIS | SCHRAUBE | |
| 28 | 81007024/0 | 1 | PARTE SUP. MANICO | UPPER HANDLE | PARTIE SUP. MANCHERON | OBERHOLM | |
| 29 | 81000629/0 | 1 | CRUSCOTTO | DASH BOARD | CONSOLE | KONSOLE | |
| — | 22120154/0 | 1 | ROSSO | RED | ROUGE | ROTE | |
| — | 22120152/0 | 1 | GIALLO | YELLOW | JAUNE | GELBE | |
| — | 22120158/0 | 1 | NERO | BLACK | NOIRE | SCHWARZE | |
| 30 | 81003291/2 | 1 | LEVA FRENO MOTORE | BRAKE LEVER | LEVIER FREIN MOTEUR | MOTORBREMSEHEBEL | |
| 31 | 81000629/0 | 1 | IMPUGNATURA MANICO | HANDGRIP | POIGNÉE | HANDGRIF | |
| — | 22291050/0 | 1 | NERA | BLACK | NOIRE | SCHWARZER | |
| — | 22291051/0 | 1 | ROSSA | RED | ROUGE | RÖTER | |
| — | 22291052/0 | 1 | GIALLA | YELLOW | JAUNE | GELBER | |
| 32 | 81007280/2 | 1 | ASS. LEVA + MANOPOLINA | LEVER + KNOB ASS. Y | ENS. LEVIER + POIGNÉE | HEBEL + GRIFF SATZ | |
| 33 | 81000629/0 | 1 | ETICHETTA | LABEL | ETIQUETTE | ETIKETTE | |
| — | 14356743/0 | 1 | (TECUMSEH-HONDA) | (TECUMSEH-HONDA) | (TECUMSEH-HONDA) | (TECUMSEH-HONDA) | |
| — | 14356744/0 | 1 | (B&S) | (B&S) | (B&S) | (B&S) | |
| 34 | 22041966/0 | 1 | BOCCOLA | BUSH | DOUILLE | BUCHSE | |
| 35 | 12154510/0 | 1 | DADO | NUT | ECROU | MUTTER | |
| 36 | 12728460/0 | 1 | VITE | SCREW | VIS | SCHRAUBE | |
| 37 | 81003288/1 | 1 | LEVA TRAZIONE | DRIVING LEVER | LEVIER TRACTION | ANTRIEBHEBEL | |
| 38 | 22041965/0 | 2 | BOCCOLA | BUSH | DOUILLE | BUCHSE | |
| 39 | 22545152/0 | 2 | PIASTRINA | PLAQUE | PLAQUETTE | PLATTE | |
| 40 | 12731350/0 | 4 | VITE | SCREW | VIS | SCHRAUBE | |
| 41 | 22060190/0 | 1 | CARTER CINGHIA | BELT PROTECTION | PROTECTION COURROIE | RIEMENSCHUTZ | |
| 42 | 12727791/0 | 1 | VITE | SCREW | VIS | SCHRAUBE | |
| 43 | 12000930/0 | 1 | ANELLO ELASTICO | SNAP RING | ANNEAU RESSORT | SPRENGRING | |
| — | 81008614/1 | 1 | DOTAZIONE VITERIA | SCREWS OUTFIT | DOTATION VISSERIE | SCHRAUBEN SATZ | |
| — | 81008609/0 | 1 | DOTAZIONE CRUSCOTTO | DASH-BOARD OUTFIT | DOTATION CONSOLE | KONSOLE SATZ | |
| | | | VARIANTE REGOLAZIONE MANICO | HANDLE ADJUSTMENT VARIANT | VARIANTE REGLAGE POIGNEE | GRIFFEINSTELLVARIANTE | |
| T-3615/B | 51 | 81006510/0 | 1 | PARTE INFR. MANICO | LOWER HANDLE | PARTIE INF. MANCHERON | UNTERHOLM |
| | 52 | 22785081/0 | 2 | SUPPORTO ESTERNO | EXTERNAL SUPPORT | SUPPORT EXTERNE | AUßERE HALTERUNG |
| | 53 | 22785082/0 | 1 | SUPPORTO INTERNO DX | R. INTERNAL SUPPORT | SUPPORT INTERNE DROIT | INNERE HALTERUNG RECHTS |
| | 54 | 22785083/1 | 1 | SUPPORTO INTERNO SX | L. INTERNAL SUPPORT | SUPPORT INTERNE GAUCHE | INNERE HALTERUNG LINKS |
| | 56 | 22551575/0 | 2 | PIASTRINA INTERNA | INSIDE PLAQUE | PLAQUETTE INTERNE | INNERE PLATTE |
| | 57 | 12793701/0 | 2 | VITE | SCREW | VIS | SCHRAUBE |
| | 58 | 12155000/0 | 2 | DADO | NUT | ECROU | MUTTER |
| | 59 | 12521350/0 | 2 | RONDELLA | WASHER | RONDELLE | SCHEIBE |
| | 60 | 12691810/0 | 2 | VITE | SCREW | VIS | SCHRAUBE |
| | 61 | 22399803/0 | 2 | MANOPOLINA | KNOB | POIGNÉE | GRIFF |
| | 62 | 12293202/0 | 2 | DADO | NUT | ECROU | MUTTER |
| — | 81008623/0 | 1 | DOTAZ. VITERIA | SCREWS OUTFIT | DOTATION VISSERIE | SCHRAUBEN SATZ | |
| | | | VARIANTI PER AVVIAMENTO ELETTRICO | PARTS FOR ELECTRIC START | COMPOSANTS POUR DÉMARRAGE ÉLECTRIQUE | ELEKTROSTART BESTANDTEILE | |
| T-3615/C | 101 | 22517855/0 | 2 | PERNO | PIN | PIVOT | BOLZEN |
| | 102 | 12523000/0 | 2 | RONDELLA | WASHER | RONDELLE | SCHEIBE |
| | 103 | 12540020/0 | 2 | RONDELLA | WASHER | RONDELLE | SCHEIBE |
| | 104 | 18120050/0 | 1 | BATTERIA | BATTERY | BATTERIE | BATTERIE |
| | 105 | 18204110/0 | 1 | CARICA BATTERIA | BATTERY CHARGER | CHARGEUR DE BATTERIE | LADGERÄT |
| | 106 | 18450050/0 | 1 | INTERRUTTORE | SWITCH | INTERRUPTEUR | SCHALTER |
| | 107 | 18204190/2 | 1 | CAVO AVVIAMENTO | START CABLE | CABLE DÉMARRAGE | STARTKABEL |
| | | | VARIANTE ACCELERATORE | THROTTLE VARIANTS | VARIANTES COMMANDE D'ACCELERATION | ÄNDERUNGEN AUF GASHEBEL | |
| T-3615/D | 151 | 12291000/0 | 1 | DADO | NUT | ECROU | MUTTER |
| | 152 | 12581500/0 | 1 | GROWER | GROWER | GROWER | FEDERRING |
| | 153 | 22171005/0 | 1 | DISTANZIALE | SPACER | ENTRETOISE | DISTANZRING |
| | 154 | 12521360/0 | 1 | RONDELLA | WASHER | RONDELLE | SCHEIBE |
| | 155 | 12508100/0 | 1 | RONDELLA ELASTICA | SPRING WASHER | RONDELLE ELASTIQUE | ELASTISCHE SCHEIBE |
| | 156 | 81007279/1 | 1 | ASS. LEVA+MANOPOLINA | LEVER+KNOB ASS.Y | ENS. LEVIER+POIGNEE | HEBEL+GRIFF SATZ |
| | 157 | 81007080/0 | 1 | ASSIEME ACCELERATORE | TROTTLE UNIT ASS.Y | ENS. ACCELERATEUR | BESCHLEUNIGER SATZ |
| | 158 | 12815000/0 | 1 | VITE | SCREW | VIS | SCHRAUBE |
| | 159 | 81000629/0 | 1 | ETICHETTA | LABEL | ETIQUETTE | ETIKETTE |
| — | 14356702/0 | 1 | (TECUMSEH-HONDA) | (TECUMSEH-HONDA) | (TECUMSEH-HONDA) | (TECUMSEH-HONDA) | |
| — | 14356703/0 | 1 | (B&S) | (B&S) | (B&S) | (B&S) | |

T-3615/E

| Pos. Nr. | Codice Code Kodex | Q.tà Q.ty-Q.tè Menge | Descrizione | Description | Description | Beschreibung |
|----------|-------------------|----------------------|------------------------------|-----------------------------|--|--|
| | | | VARIANTE REGIME FISSO | FIXED SPEED VARIANTS | VARIANTES POUR MODÈLE À REGIME FIXE | ÄNDERUNGEN FÜR MODELLE MIT FIXIERTER DREHZAHL |
| 201 | 22601000/0 | | PROTEZIONE | PROTECTION | PROTECTION | SCHUTZ |

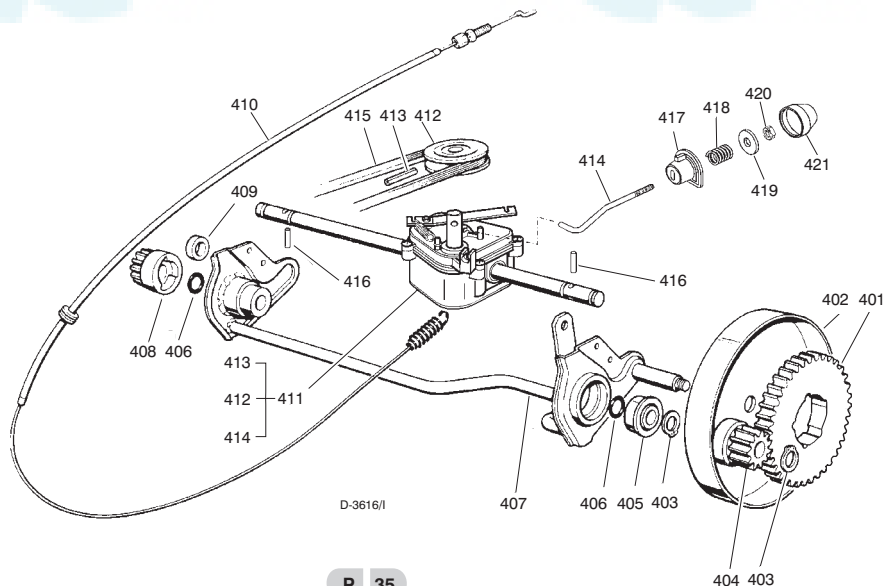
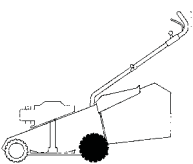
- RUOTE E REGOLAZIONE**
- WHEELS AND HEIGHT ADJUSTING**
- ROUES ET REGLAGE HAUTER DE COUPE**
- RÄDER UND SCHNITTHÖHEVERSTELLUNG**



T-3660/F

| | | | | | | |
|-----|------------|---|-------------------|-------------------|-----------------|------------------|
| 251 | | | COPRIMOZZO | HUB CAP | COUVRE-MOYEU | RADKAPPE |
| — | 22110262/0 | 2 | BIANCO | WHITE | BLANC | WEIßE |
| — | 22110263/0 | 2 | GIALLO | YELLOW | JAUNE | GELBE |
| — | 22110264/0 | 2 | ROSSO | RED | ROUGE | ROTE |
| 252 | 12155000/0 | 2 | DADO | NUT | ECROU | MUTTER |
| 253 | 12523060/0 | 4 | RONDELLA | WASHER | RONDELLE | SCHEIBE |
| 254 | 22034508/0 | 8 | BOCCOLA | BUSH | DOUILLE | BUCHSE |
| 255 | 81007326/0 | 2 | RUOTA Ø 170 | WHEEL Ø 170 | ROUE Ø 170 | RAD Ø 170 |
| 256 | 81001268/0 | 1 | ASSE RUOTE ANT. | FRONT WHEELS AXLE | AXE ROUES AVANT | VORDERRADACHSE |
| 257 | 12436050/0 | 2 | PIASTRINA PER AST | PLAQUE | PLAQUETTE | PLÄTTCHEN |
| 258 | 22446180/0 | 1 | MOLLA | SPRING | RESSORT | FEDER |
| 259 | 81001263/0 | 1 | ASTA | ROD | TIGE | STANGE |
| 260 | 12154330/0 | 2 | DADO | NUT | ECROU | MUTTER |
| 261 | 12789000/0 | 2 | VITE | SCREW | VIS | SCHRAUBE |
| 262 | 81003279/2 | 1 | LEVA REGOLAZIONE | ADJUSTMENT LEVER | LEVIER REGLAGE | VERSTELLUNGHEBEL |
| 263 | 81007328/0 | 2 | RUOTA Ø 210 | WHEEL Ø 210 | ROUE Ø 210 | RAD Ø 210 |
| 264 | | | COPRIMOZZO | HUB CAP | COUVRE-MOYEU | RADKAPPE |
| — | 22110265/0 | 2 | BIANCO | WHITE | BLANC | WEIßE |
| — | 22110266/0 | 2 | GIALLO | YELLOW | JAUNE | GELBE |
| — | 22110267/0 | 2 | ROSSO | RED | ROUGE | ROTE |

- GRUPPO TRAZIONE**
- REAR DRIVE**
- GRUPE TRACTION**
- ANTRIEB**



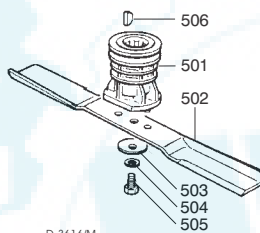
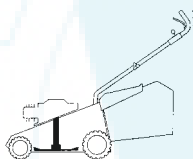
| Pos. Nr. | Codice Code Kodex | Q.tà Q.ty-Q.tè Menge | Descrizione | Description | Description | Beschreibung | |
|----------|-------------------|----------------------|-------------|---------------------------------|--------------------------|----------------------------------|--------------------------|
| D-3616/I | 401 | 22120105/1 | 2 | CORONA | RING GEAR | COURONNE | KRANZ |
| | 402 | 81006846/0 | 2 | PROTEZIONE RUOTE | WHEEL GUARD | PROTECTION ROUE | RÄDERSCHUTZ |
| | 403 | 12608600/0 | 4 | SEEGER | SEEGER | SEEGER | SEEGER |
| | 404 | 22570120/0 | 1 | PIGNONE SINISTRO | LEFT PINION | PIGNON GAUCHE | LINKES RITZEL |
| | 405 | 22122200/0 | 2 | CUSCINETTO | BEARING | COUSSINET | LAGER |
| | 406 | 12019900/0 | 2 | ANELLO OR | OR RING | BAGUE OR | RING OR |
| | 407 | 81001252/1 | 1 | ASSE RUOTE POSTERIORE | REAR WHEELS AXLE | AXE ROUES ARRIERE | HINTERRADACHSE |
| | 408 | 22570110/0 | 1 | PIGNONE DESTRO | RIGHT PINION | PIGNON DROITE | RECHTES RITZEL |
| | 409 | 22170800/0 | 1 | DISTANZIALE | SPACER | ENTRETOISE | DISTANZRING |
| | 410 | 81001143/0 | 1 | ASS. COMANDO TRAZIONE | REAR DRIVE ASS.Y | ENS. COMMANDE TRACTION | ANTRIEBKABEL |
| | 411 | 81003059/0 | 1 | ASS. GRUPPO TRAZIONE (PLASTICA) | GEAR BOX ASS.Y (PLASTIC) | ENS. GROUPE TRACTION (PLASTIQUE) | ANTRIEBSATZ (KUNSTSTOFF) |
| | — | 81003060/0 | 1 | (ALLUMINIO) | (ALUMINIUM) | (ALUMINIUM) | (ALUMINIUM) |
| | 412 | 22601904/0 | 1 | PULEGGIA 4 KM/H | PULLEY 4 KM/H | POULIE 4 KM/H | RIEMENSCHLEIBE 4 KM/H |
| | 413 | 12645705/0 | 1 | SPINA | PIN | GOUPILLE | STIFT |
| | 414 | 22033280/0 | 1 | ASTA REGOLAZIONE | ADJUSTMENT ROD | TIGE REGLAGE | VERSTELLUNGSTANGE |
| | 415 | 35063900/0 | 1 | CINGHIA Z 28 | BELT Z 28 | COURROIE Z 28 | RIEMEN Z 28 |
| | 416 | 22753000/0 | 2 | SPINA | PIN | GOUPILLE | STIFT |
| | 417 | 22041957/0 | 1 | BUSSOLA | BUSH | DOUILLE | BUCHSE |
| | 418 | 22450063/0 | 1 | MOLLA | SPRING | RESSORT | FEDER |
| | 419 | 22680009/0 | 1 | RONDELLA | WASHER | RONDELLE | SCHLEIBE |
| | 420 | 12154510/0 | 1 | DADO | NUT | ECROU | MUTTER |
| 421 | 22110230/0 | 1 | TAPPO | CAP | BOUCHON | GUMMISTOPFEN | |

GRUPPO COLTELLO

BLADE ASS.Y

GROUPE LAME

MESSERSATZ



D-3616/M

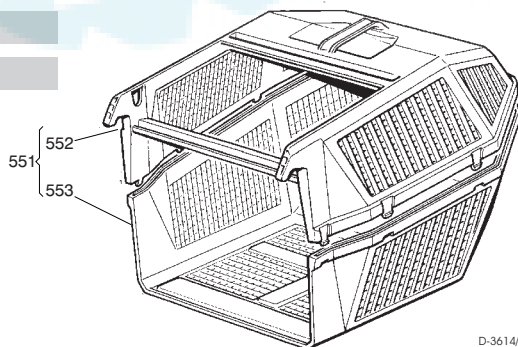
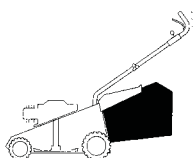
| | | | | | | | |
|----------|------------|------------|-----------|--------------------|-----------------|--------------------|--------------------|
| D-3618/M | 501 | 22465607/0 | 1 | MOZZO CON PULEGGIA | HUB WITH PULLEY | MOYEU AVEC POULIE | NABE MIT SCHEIBE |
| | 502 | 81004366/1 | 1 | COLTELLO | BLADE | LAME | MESSER |
| | — | 81004395/1 | 1 | STANDARD | STANDARD | STANDARD | STANDARD |
| | — | 81004395/1 | 1 | ALETTATO | WINGED | AILETTÉE | FLÜGEL |
| | 503 | 22160400/0 | 1 | RONDELLA ELASTICA | SPRING WASHER | RONDELLE ELASTIQUE | ELASTISCHE SCHEIBE |
| | 504 | 12523080/0 | 1 | RONDELLA | WASHER | RONDELLE | SCHLEIBE |
| | 505 | 12735698/0 | 1 | VITE | SCREW | VIS | SCHRAUBE |
| 506 | 12139100/0 | 1 | LINGUETTA | FEATHER | CLAVETTE | KEIL | |

SACCO RACCOGLIERBA

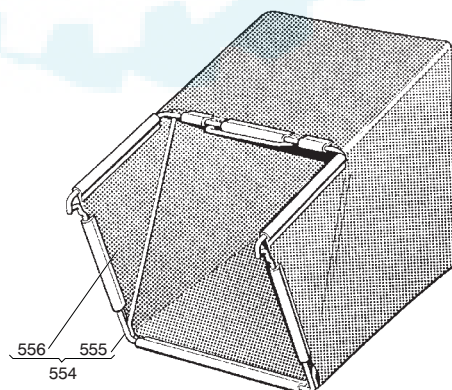
GRASS-CATCHER

BAC DE RAMASSAGE

GRASFANGKORB



D-3614/N



| | | | | | | | |
|----------|-----|------------|---|--------------------|----------------------|-----------------------|-----------------|
| D-3614/N | 551 | 98005000/1 | 1 | SACCO COMPLETO | COMPLETE GRASS-BOX | SAC COMPLET | KOMPLETTER KORB |
| | 552 | 22486076/0 | 1 | PORTE SUP. SACCO | UPPER GRASS BOX | PARTIE SUP. SAC | OBERTKORB |
| | 553 | 22486077/0 | 1 | PORTE INF. SACCO | LOWER GRASS BOX | PARTIE INF. SAC | UNTERKORB |
| | 554 | 98004000/0 | 1 | ASS. SACCO IN TELA | CANVASS GRASSCATCHER | ENSEMBLE SAC EN TOILE | KOMPLETTER SACK |
| | 555 | 81006408/0 | 1 | TELAIO | CHASSIS | CHÂSSIS | RAHMEN |
| | 556 | 81002105/2 | 1 | TELA SACCO | FABRIC BOX | TOILE POUR SAC | TUCK FÜR SACK |