



BSP8500LE

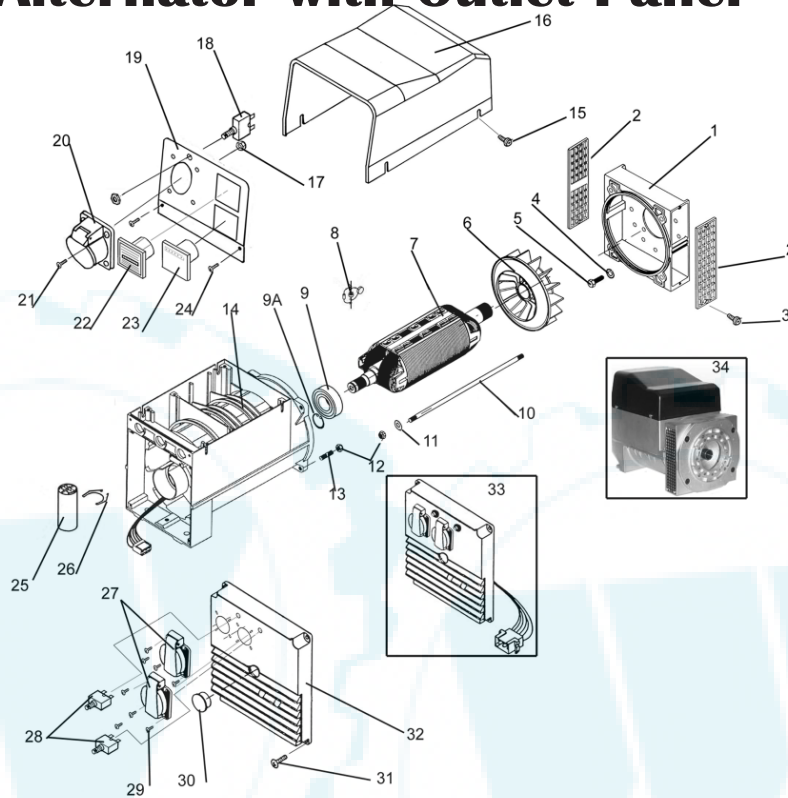
PARTS LIST



Model No. HPP1609-0 BSP8500LE
Manual No. 102333GS Rev 0



Alternator with Outlet Panel



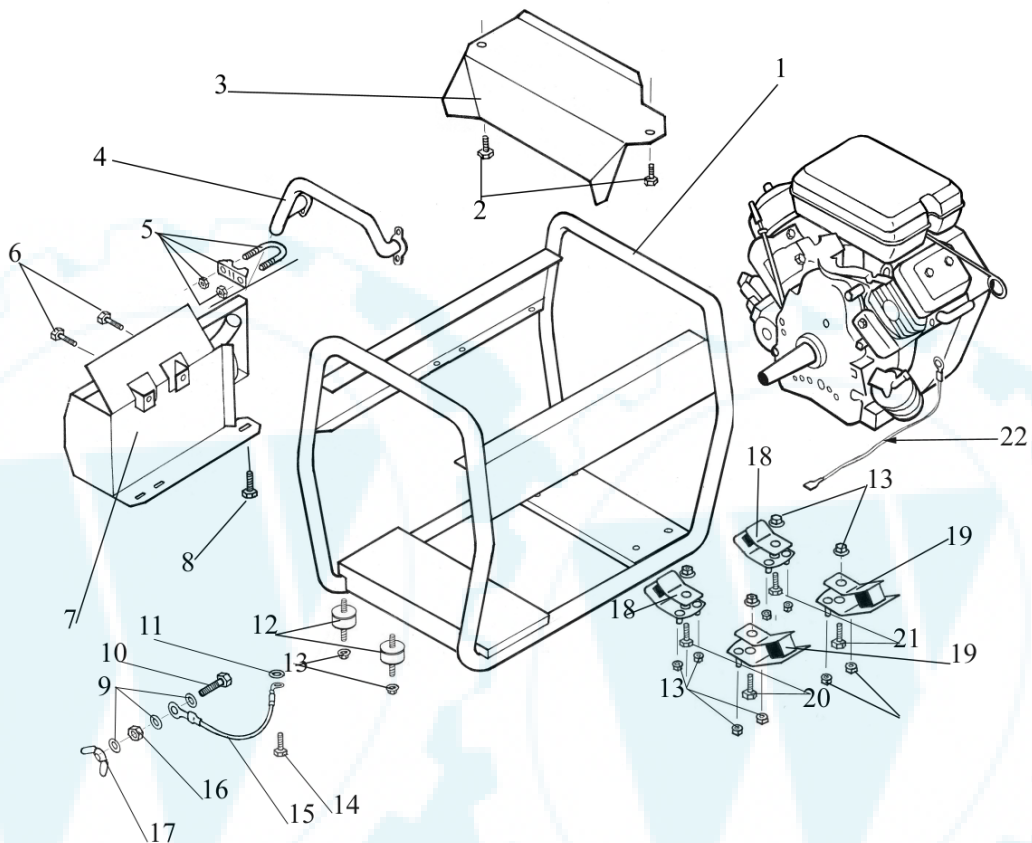
ITEM	PART ID	PART DESCRIPTION	QTY
1	102271GS	FLANGE PLATE	1
2	102139GS	SIDE GRILL (PLASTIC)	2
3	102087GS	SCREW MC PPHD M5*10MM	4
4	102099GS	WASHER LOCK M10/ 3/8 OXY BLACK	4
5	102279GS	SCREW CAP 3/8 UNC * 1 1/4"	4
6	102280GS	ROTOR FAN	1
7	102320GS	ROTOR ASSY	1
8	102282GS	DIODE, VARISTOR & CAPACITOR ASSY	1
9	102283GS	BEARING ASSY SINCRO	1
9A	102284GS	CIRCLIP	1
10	102285GS	ROTOR BOLT SINCRO 325MM	1
11	102020GS	WASHER FLAT M8 & 5/16"	1
12	102017GS	NUT NYLOCK M8-1.25 TYPE T	5
13	102131GS	STUD M8*20MM	4
14	102321GS	STATOR ASSY LONG STACK	1
15	102235GS	SCREW MC PPHD M6*15MM	4
16	102287GS	COVER TOP BOX	1
17	102198GS	NUT NYLOCK M4	4
18	102289GS	CIRCUIT BREAKER 30A	1
19	102288GS	OUTLET PANEL BLANK (ALUMINIUM) TOP BOX	1
20	102290GS	SOCKET OUTLET 32A 230V	1
21	102291GS	SCREW MACHINE PPHD M4*20MM	4
22	102322GS	HOUR METER	1
23	102323GS	VOLT METER	1
24	102292GS	SCREW MACHINE M5*8MM	2
25	102293GS	CAPACITOR 40UF	1
26	102083GS	CAPACITOR CLIP EP/EK SERIES	1
27	102030GS	SOCKET OUTLET	2
28	102133GS	CIRCUIT BREAKER 15A	1
29	102040GS	SCREW PLASTITE PPHD NO6 * 3/8"	8
30	102085GS	END CAP PLASTIC (OUTLET PANEL)	1
31	102087GS	SCREW MC PPHD M5*10MM	4
32	102294GS	OUTLET PANEL BLANK	1
33	102295GS	OUTLET PANEL COMPLETE WITH FLY LEAD	1
34	102324GS	ALTERNATOR SINCRO LK7	1

Model No. HPP1609-0

PAGE 2 OF 7



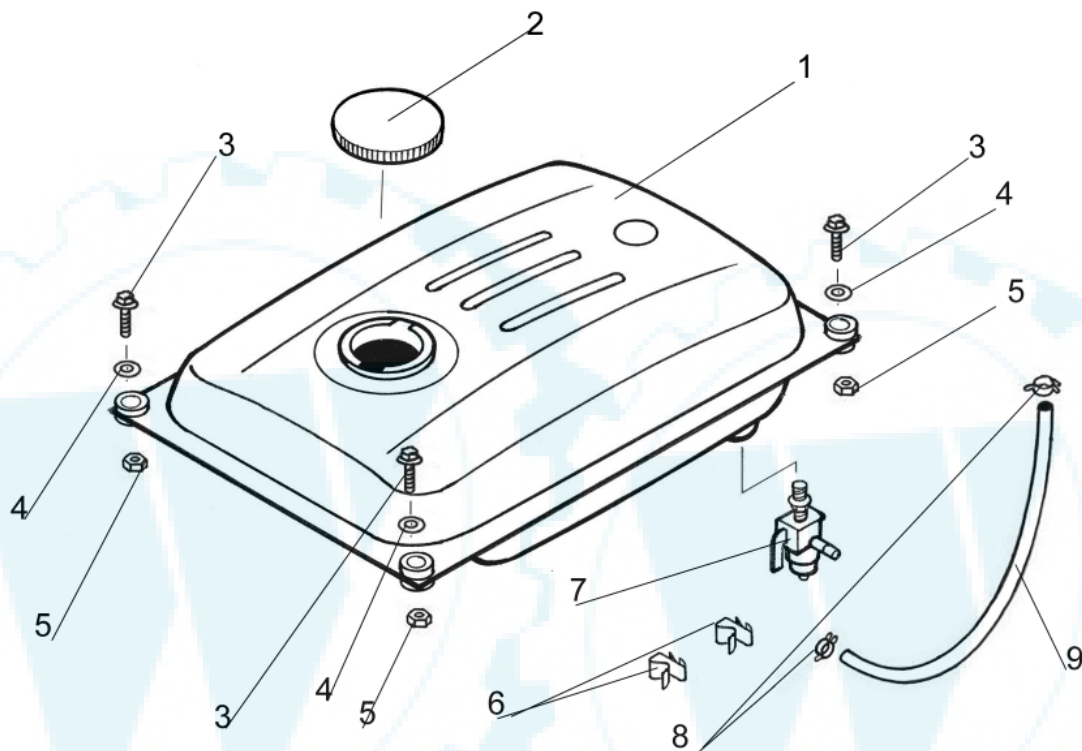
Frame Exhaust Mounts and EPA



ITEM	PART ID	PART DESCRIPTION	QTY
1	102297GS	CRADLE RED	1
2	102165GS	SCREW SELF TAP 5.5*1.8*13MM	2
3	102325GS	HEATSHIELD PP8500L	1
4	102326GS	MANIFOLD EXHAUST B&S V-TWIN	1
5	102327GS	EXHAUST CLAMP	1
6	102166GS	SCREW SELF DRILL #8*12.7 PPHD	2
7	102328GS	EXHAUST FRANKLIN	1
8	102308GS	SCREW SET M8*30MM	1
9	102021GS	WASHER SHAKEPROOF 1/4" & M6 INT	3
10	102037GS	SCREW SET M6-1.0X25MM PLATED	1
11	102024GS	WASHER SHAKEPROOF M8 INT	1
12	102034GS	VIBRATION MOUNT 32MM DIAMETER	2
13	102029GS	NUT FLANGE M8-1.25	16
14	102117GS	SCREW SET M6*25MM	1
15	102050GS	LEAD EARTH ASSY 145MM	1
16	102028GS	NUT FULL M6-1.0	1
17	102036GS	NUT WING M6-1.0	1
18	102033GS	VIBRATION MOUNT 45 DEGREE SOFT	2
19	102031GS	VIBRATION MOUNT 45 DEGREE HARD	2
20	102264GS	BOLT M8-1.25 X40	2
21	102026GS	SCREW SET	2
22	102329GS	CABLE L.O.S	1



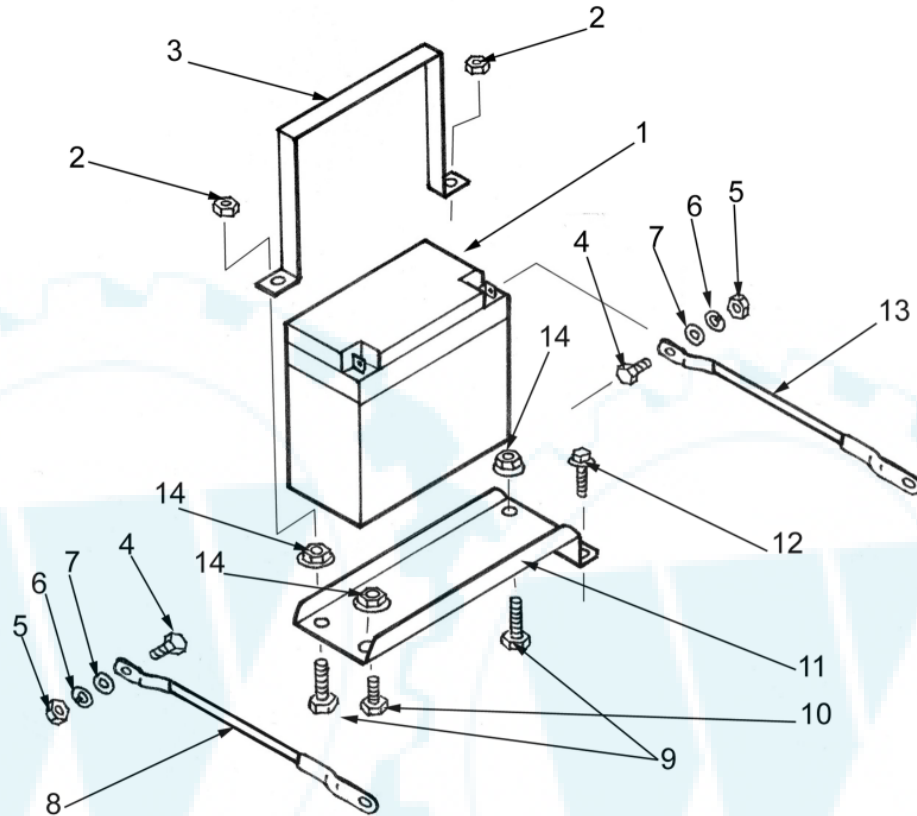
Fuel Tank



ITEM	PART ID	PART DESCRIPTION	QTY
1	102044GS	TANK FUEL METAL	1
2	102090GS	FUEL CAP	1
3	102037GS	SCREW SET M6-1.0X25MM PLATED	4
4	102042GS	WASHER REPAIR 6X20 OXY BLACK	4
5	102032GS	NUT LOCKING FLANGE M6-1.0MM	4
6	102319GS	CLIP 13MM HOSE	2
7	102045GS	VALVE FUEL	1
8	102047GS	CLAMP HOSE 1/4" ID	2
9	102025GS	HOSE FUEL	1



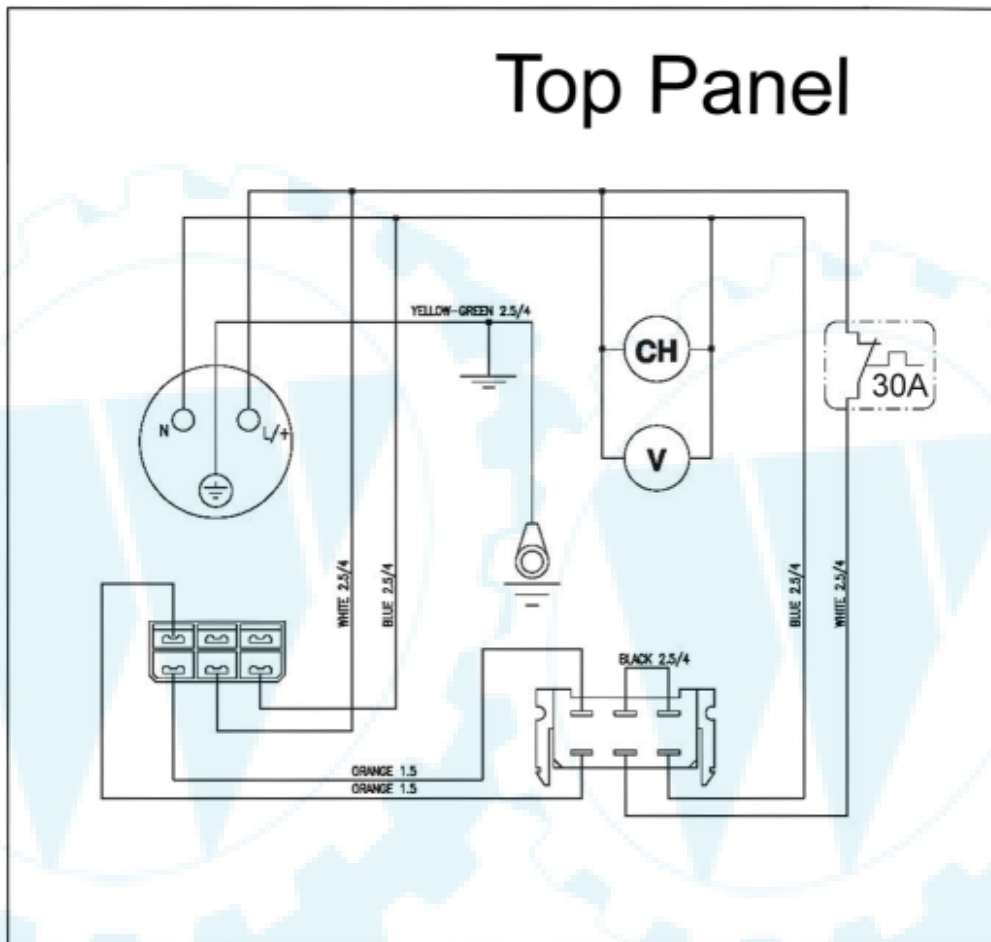
Battery



ITEM	PART ID	PART DESCRIPTION	QTY
1	102312GS	BATTERY SEALED	1
2	102017GS	NUT NYLOCK M8	2
3	102313GS	BATTERY STRAP PPD5000E	1
4	102114GS	SCREW M5	2
5	102116GS	NUT FULL M5	2
6	102022GS	WASHER FLAT M5	2
7	102115GS	WASHER SHAKEPROOF M5	2
8	102330GS	BATTERY LEAD -VE 535MM	1
9	102308GS	SCREW SET M8*30MM	2
10	102229GS	SCREW MACHINE M8*16MM	1
11	102315GS	BATTERY TRAY	1
12	102166GS	SCREW SELF DRILL #8*12.7 PPHD	1
13	102331GS	BATTERY LEAD +VE 300MM	1
14	102029GS	NUT FLANGE M8-1.25	3
	102024GS	WASHER SHAKEPROOF M8	1
	102117GS	SCREW MACHINE M8*16MM	1



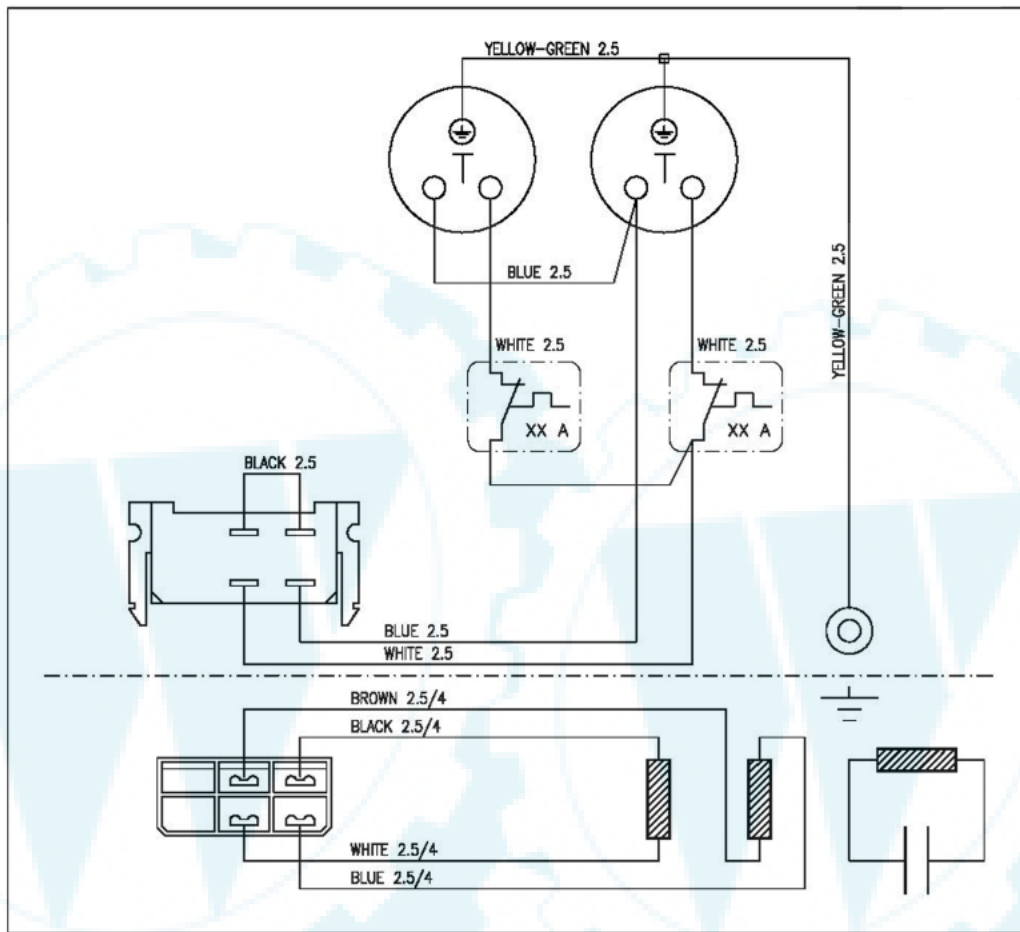
Panel Wiring Diagram



RESISTANCE VALUES AT 20 °C
ROTOR 3.0 OHMS
POWER 0.48 OHMS
EXCITATION 1.5 OHMS



Panel Wiring Diagram



RESISTANCE VALUES AT 20 °C
 ROTOR 3.0 OHMS
 POWER 0.48 OHMS
 EXCITATION 1.5 OHMS

Decal & Manual Items *Not Shown

PART ID	PART DESCRIPTION	QTY
102077GS	DECAL WARNING READ MANUAL	1
102048GS	DECAL GND	1
102076GS	DECAL ELECTRICAL HAZARD	1
102041GS	DECAL CAUTION HOT	1
102332GS	DECAL BSP8500 B&S	2
102269GS	DECAL LE/LONG RUN	2
102065GS	MANUAL OWNERS	1

Model No. HPP1609-0

PAGE 7 OF 7