



# BSP4500L

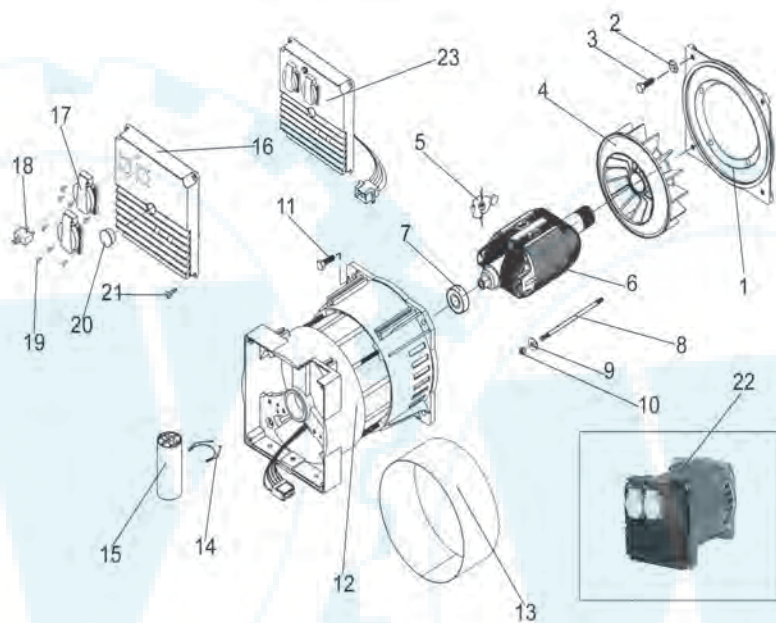
## PARTS LIST



**Model No. HPP1603-0 BSP4500L**  
**Manual No. 102231GS Rev 1**



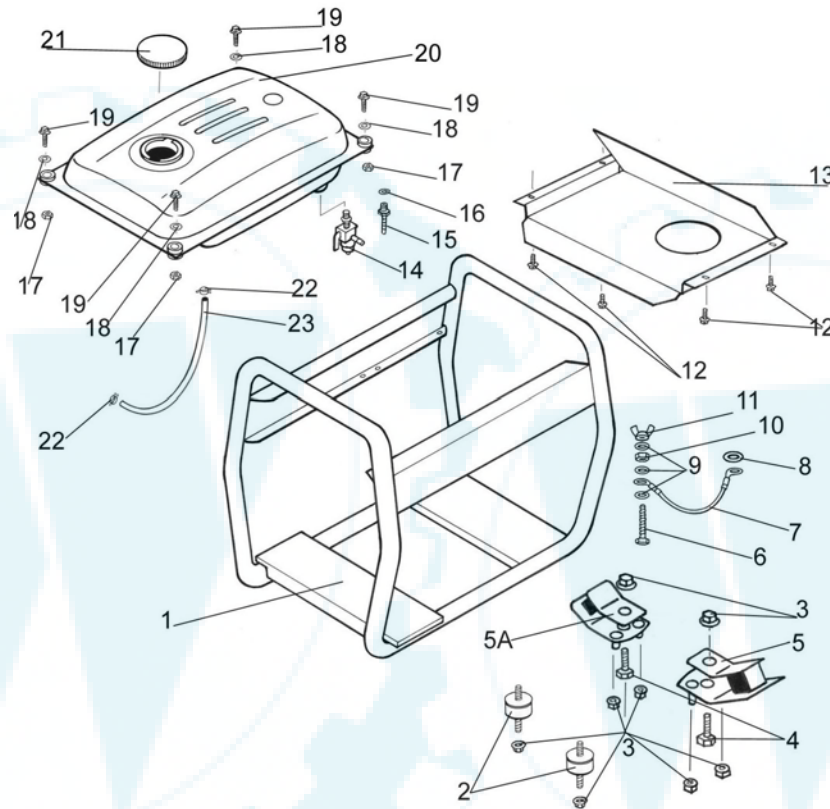
## Alternator with Outlet Panel



ITEM	PART ID	PART DESCRIPTION	QTY
1	102138GS	FLANGE PLATE	1
2	102099GS	WASHER LOCK M10/ 3/8 OXY BLACK	4
3	102098GS	SCREW CAP 3/8" UNC X 1"	4
4	102073GS	ROTOR FAN SINCRO	1
5	102052GS	DIODE & VARISTOR ASSY	2
6	102217GS	ROTOR ASSY SINCRO GP3.5	1
7	102038GS	ROTOR BEARING	1
8	102160GS	ROTOR BOLT 265MM M8-1.25	1
9	102020GS	WASHER FLAT M8 & 5/16"	1
10	102017GS	NUT NYLOCK M8-1.25 TYPE T	1
11	102035GS	SCREW SET 5/16"UNF X 3/4"	4
12	102218GS	STATOR ASSEMBLY SINCRO GP3.5/EP4.2	1
13	102094GS	STATOR COVER BAND	1
14	102083GS	CAPACITOR CLIP EP SERIES	1
15	102219GS	CAPACITOR 31.5UF	1
16	102075GS	OUTLET PANEL BLANK (FITTINGS REMOVED)	1
17	102030GS	SOCKET OUTLET G/S	2
18	102220GS	CIRCUIT BREAKER 18 AMP	2
19	102040GS	SCREW PLASTITE PPHD NO6 * 3/8"	8
20	102085GS	END CAP PLASTIC PLUG	1
21	102087GS	SCREW MC PPHD M5*10MM	4
22	102221GS	ALTERNATOR SINCRO EP4.2 G/S	1
23	102222GS	OUTLET PANEL ASSY	1



## Frame, Fuel Tank, Fittings, Mounts and EPA



ITEM	PART ID	PART DESCRIPTION	QTY
1	102223GS	CRADLE PP4500L	1
2	102034GS	VIBRATION MOUNT 32MM DIAMETER	2
3	102029GS	NUT FLANGE M8-1.25	8
4	102026GS	SCREW SET	2
5	102031GS	VIBRATION MOUNT 45 DEGREE HARD	1
5A	102033GS	VIBRATION MOUNT 45 DEGREE SOFT	1
6	102037GS	SCREW SET M6-1.0X25MM PLATED	1
7	102050GS	LEAD EARTH ASSY 145MM	1
8	102024GS	WASHER SHAKEPROOF M8 INT	1
9	102021GS	WASHER SHAKEPROOF 1/4" & M6 INT	3
10	102028GS	NUT FULL M6-1.0	1
11	102036GS	NUT WING M6-1.0	1
12	102165GS	SCREW SELFTAP 5.5*1.8*13MM	4
13	102224GS	HEAT SHIELD	1
14	102045GS	VALVE FUEL	1
15	102225GS	HOSE TAIL CONNECTOR	1
16	102226GS	DOWTY BONDED SEAL	1
17	102032GS	NUT LOCKING FLANGE M6-1.0MM	4
18	102042GS	WASHER REPAIR 6X20 OXY BLACK	4
19	102037GS	SCREW SET M6-1.0X25MM PLATED	4
20	102044GS	TANK FUEL METAL	1
22	102047GS	CLAMP HOSE 1/4" ID	2
23	102025GS	HOSE FUEL 1/4"ID SAE J30R7	1

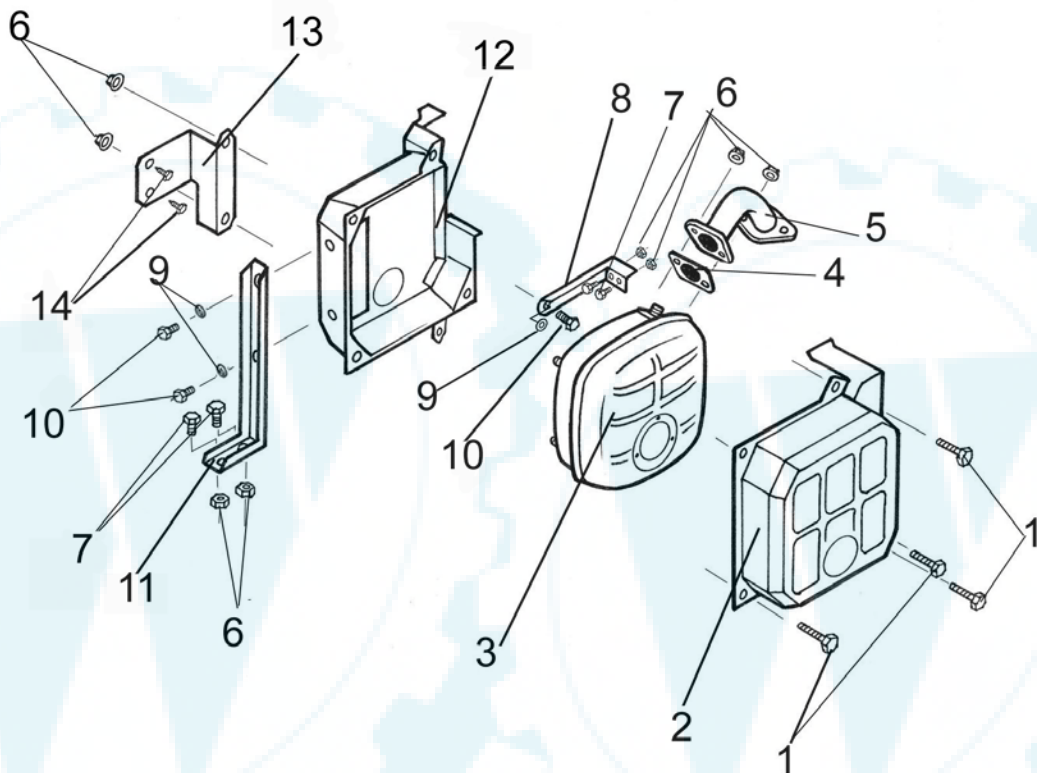
Model No. HPP1603-0

PAGE 3 OF 5

Ihr Ersatzteilspezialist im Internet



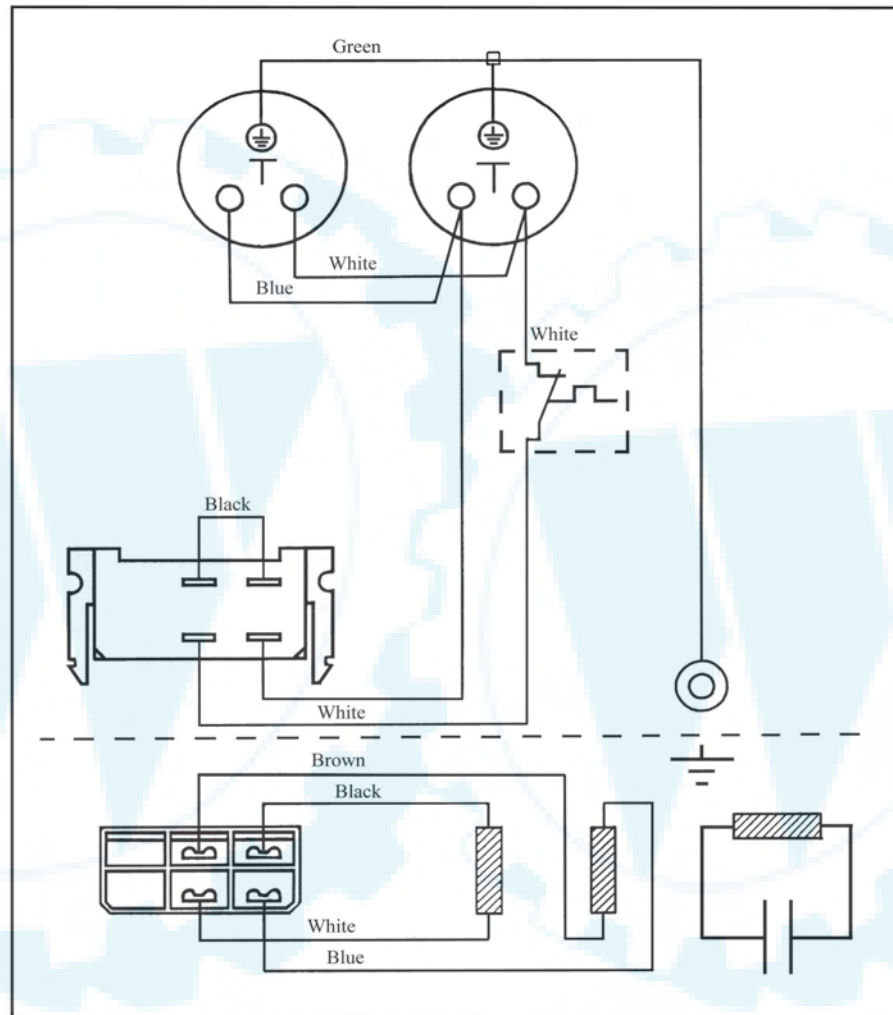
## Exhaust & Fittings



ITEM	PART ID	PART DESCRIPTION	QTY
1	710074	SCREW M6	4
2	710793	GUARD MUFFLER FRONT	1
3	715602	MUFFLER	1
4	710082	GASKET EXHAUST MANIFOLD	1
5	715603	MANIFOLD EXHAUST	1
6	102029GS	NUT FLANGE M8-1.25	6
7	102229GS	SCREW MACHINE HHD M8-1.25*16MM	4
8	102227GS	BRACKET EXHAUST GUARD MOUNTING	1
9	102021GS	WASHER SHAKEPROOF 1/4" & M6 INT	3
10	102027GS	SCREW SET HHD M6-1.0*12MM	3
11	102228GS	BRACKET EXHAUST GUARD MOUNTING	1
12	710794	GUARD MUFFLER REAR	1
13	102156GS	BRACKET EXHAUST MOUNTING	1
14	102166GS	SCREW SELF DRILL #8*12.7 PPHD	2



## Panel Wiring Diagram



RESISTANCE VALUES AT 20 °C  
 ROTOR 2.1 OHMS  
 POWER 1.23 OHMS  
 EXCITATION 2.4 OHMS

## Decal & Manual Items \*Not Shown

PART ID	PART DESCRIPTION	QTY
102077GS	DECAL WARNING READ MANUAL	1
102076GS	DECAL ELECTRICAL HAZARD	1
102041GS	DECAL CAUTION HOT	1
102048GS	DECAL GND	1
102230GS	DECAL BSP4500 B&S 590X90MM	2
102066GS	DECAL L/LONG- RUN TRIANGLE	2
102065GS	MANUAL OWNERS B&S NO. BS2012	1

Model No. HPP1603-0

PAGE 5 OF 5

Ihr Ersatzteilspezialist im Internet