



B S Q 4 5 0 0

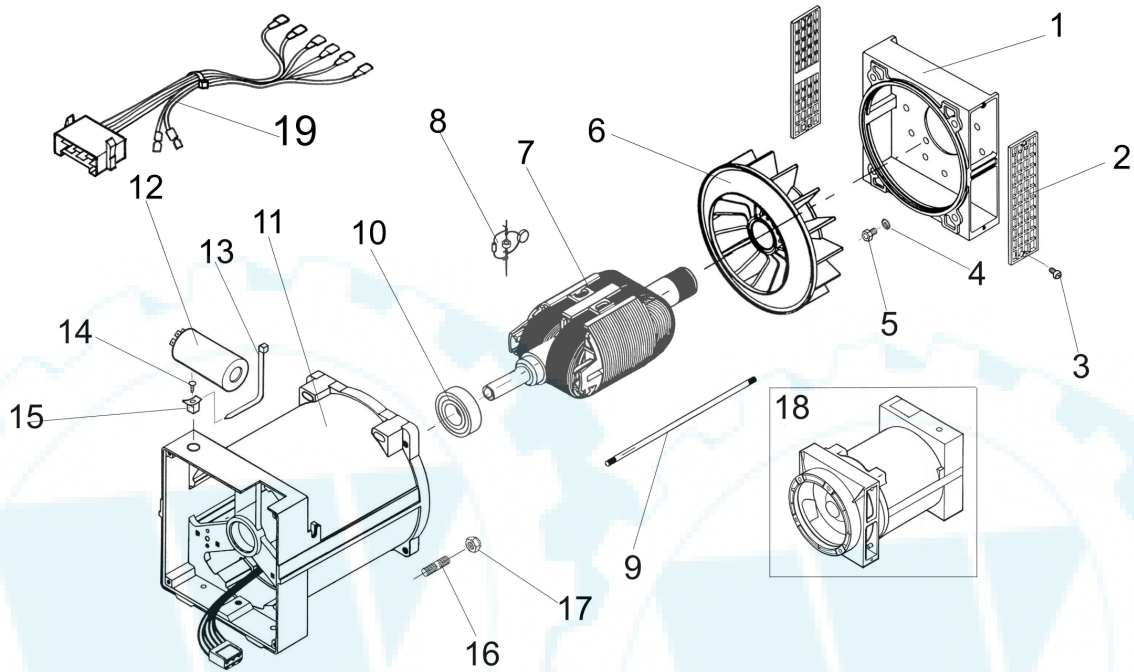
PARTS LIST



Model No. HPP1602-0 BSQ4500
Manual No. 102210GS Rev 0



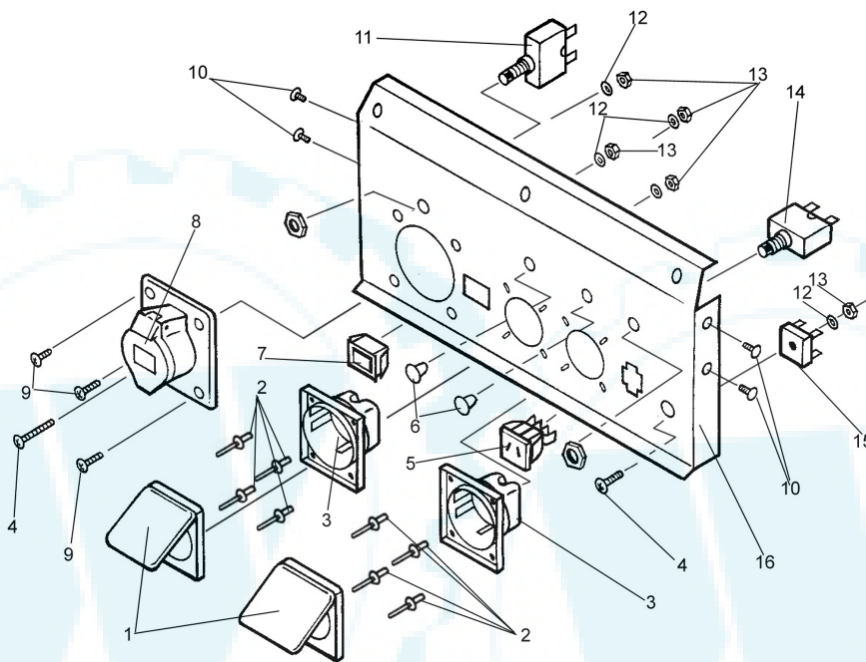
Alternator



ITEM	PART ID	PART DESCRIPTION	QTY
1	102138GS	FLANGE PLATE	1
2	102139GS	SIDE GRILL (PLASTIC)	2
3	102087GS	SCREW MC PPHD M5*10MM	8
4	102099GS	WASHER LOCK M10/ 3/8 OXY BLACK	4
5	102098GS	SCREW CAP 3/8" UNC X 1"	4
6	102073GS	ROTOR FAN SINCRO	1
7	102205GS	ROTOR ER 4.2	1
8	102052GS	DIODE & VARISTOR ASSY	1
9	102160GS	ROTOR BOLT, M8-1.25*265MM	1
10	102038GS	ROTOR BEARING	1
11	102206GS	STATOR ER 4.2 WITH BATTERY CHARGE	1
12	102204GS	CAPACITOR 36UF	1
13	102134GS	TY-WRAP 210MM*4MM	1
14	102166GS	SCREW SELF DRILL #8*12.7 PPHD	1
15	102121GS	MOUNTING BASE - CAPACITOR	1
16	102131GS	STUD M8*30MM	4
17	102017GS	NUT NYLOCK M8-1.25 TYPE T	4
18	102137GS	ALTERNATOR SINCRO ER4.2	1
19	102176GS	WIRING HARNESS ASSEMBLY	1



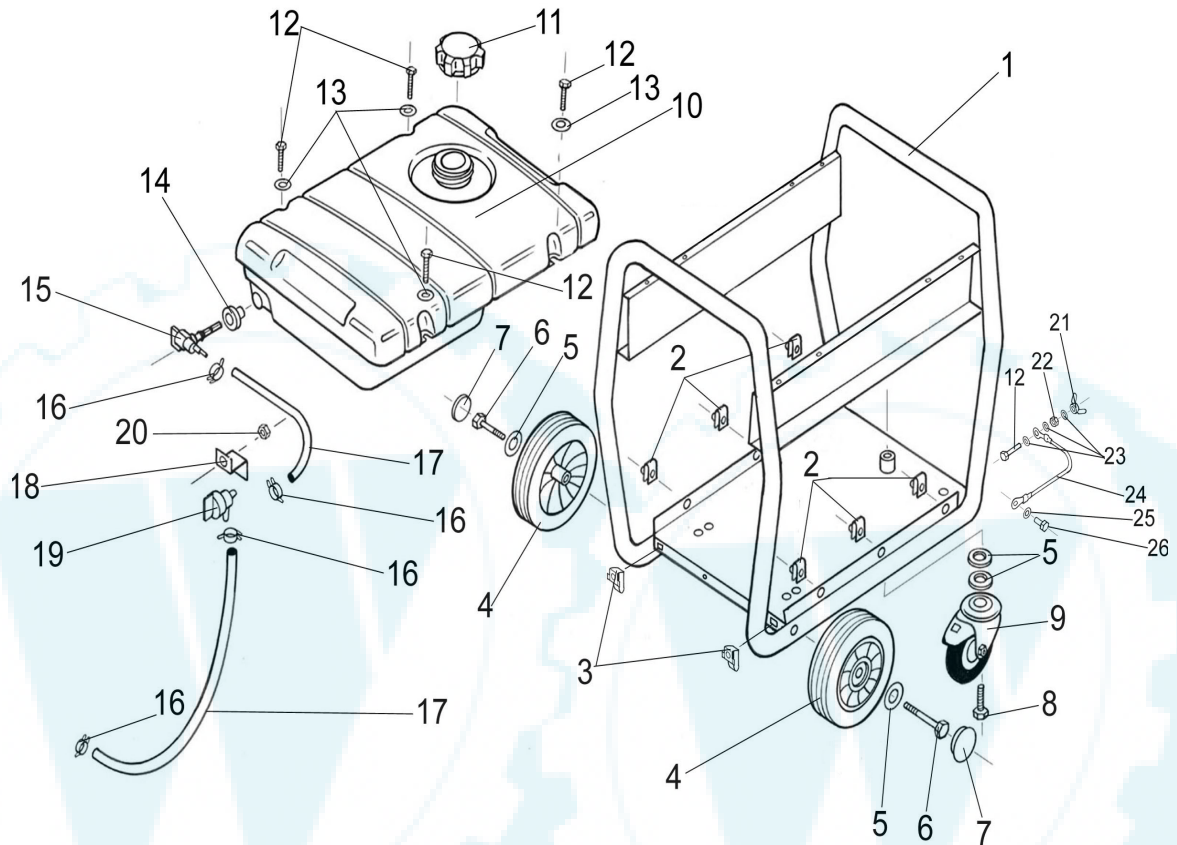
Alternator Outlet Panel



ITEM	PART ID	PART DESCRIPTION	QTY
1	102107GS	COVER OUTLET HINGED BERKER	2
2	102113GS	RIVET POP 4MM * 10MM	8
3	102106GS	OUTLET GERMAN DOMESTIC BERKER	2
4	102103GS	SCREW MACHINE PPHD M5-0.8*20MM	2
5	102112GS	OUTLET 12V DC	1
6	102122GS	PLUG BLANKING 12.5MM DIAMETER	2
7	102190GS	SWITCH BLANK	1
8	102119GS	OUTLET 230V/16A (60*60MM)	1
9	102114GS	SCREW MACHINE PPHD M5-0.8*16MM	3
10	102165GS	SCREW SELFTAP 5.5*1.8*13MM	4
11	102133GS	CIRCUIT BREAKER 15A	1
12	102115GS	WASHER SHAKEPROOF M5 EXT	5
13	102116GS	NUT FULL M5-0.8MM PLATED	5
14	102132GS	CIRCUIT BREAKER 10A	1
15	102161GS	BRIDGE RECTIFIER	1
16	102140GS	OUTLET PANEL	1



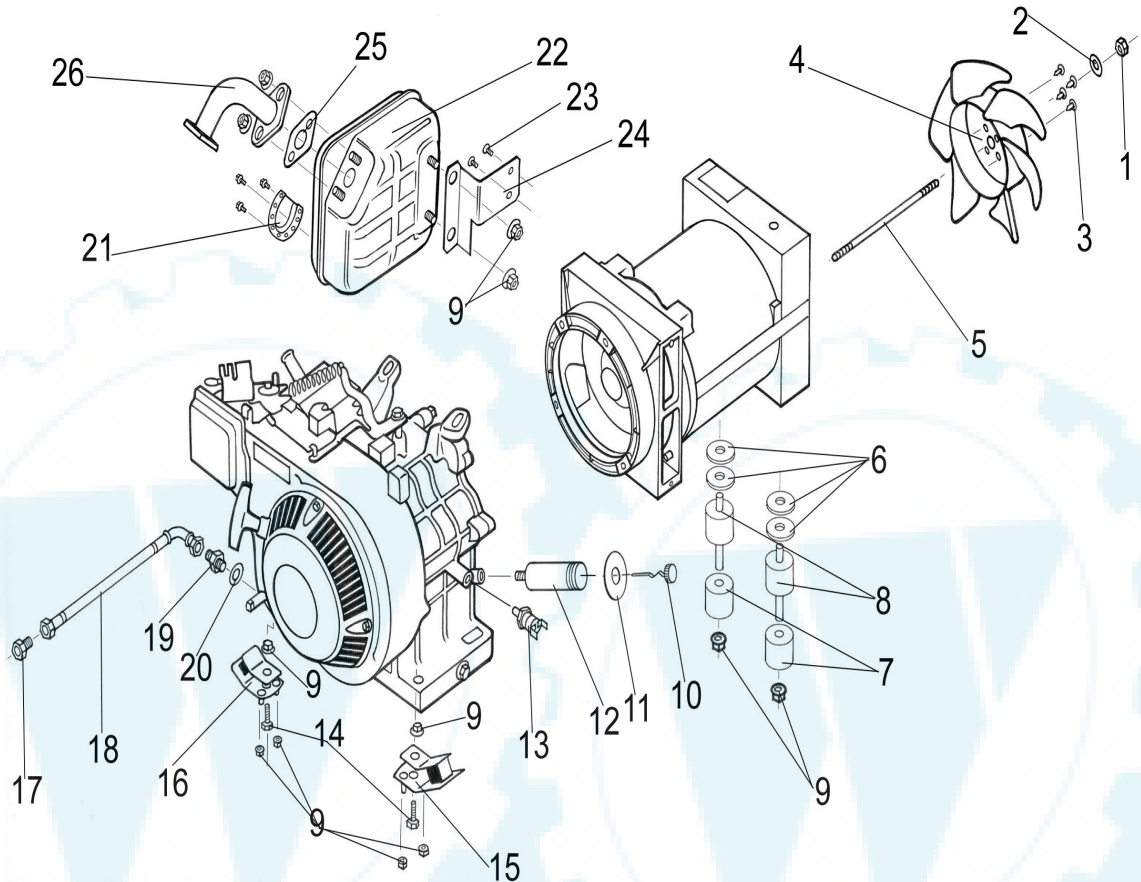
Frame, Fuel Tank, Fittings



ITEM	PART ID	PART DESCRIPTION	QTY
1	102167GS	CRADLE EG4500	1
2	102177GS	LUGNUT M6-1.0	6
3	102178GS	FASTENER RECEPTACLE 1/4 TURN	2
4	102159GS	WHEEL AND TYRE	2
5	102202GS	WASHER FLAT M12*40*1.5MM	4
6	102188GS	BOLT HXHD M12-1.5*90MM	2
7	102149GS	WHEEL CAP	2
8	102187GS	SCREW HXHD SET M12-1.5*35MM	1
9	102148GS	CASTOR WHEEL 100MM	1
10	102130GS	TANK FUEL 5 US GALLON	1
11	102120GS	CAP FUEL 5.1 LITRE &5GALL FUEL TANK	1
12	102037GS	SCREW SET M6-1.0*25MM	5
13	102042GS	WASHER REPAIR 6*20	4
14	102104GS	BUSHING TANK DEXTOR	1
15	102108GS	VALVE FUEL PLASTIC	1
16	102047GS	CLAMP HOSE 13MMOD	4
17	102109GS	HOSE FUEL 3/16" ID SAE J30R7	1
18	102173GS	BRACKET FUEL TAP MOUNTING	1
19	102124GS	VALVE FUEL PLASTIC	1
20	102198GS	NUT NYLOCK M4-0.7	1
21	102036GS	NUT WING M6-1.0	1
22	102028GS	NUT FULL M6-1.0	1
23	102021GS	WASHER SHAKEPROOF 1/4" & M6 INT	3
24	102135GS	LEAD EARTH (EARTH POST ASSY)	1
25	102024GS	WASHER SHAKEPROOF M8 INT	1
26	102117GS	SCREW SET M8-1.25X12 PLATED	1



Engine & Exhaust Fittings



ITEM	PART ID	PART DESCRIPTION	QTY
1	102017GS	NUT NYLOCK M8-1.25 TYPE T	1
2	102020GS	WASHER FLAT M8 & 5/16"	1
3	102191GS	FASTENER (FIR TREE) 4.8*12.2MM	4
4	102142GS	FAN PLASTIC 8**6 BLADE (DRILL HOLE TO 8.5MM)	1
5	102397GS	ROTOR BOLT 270MM	1
6	102118GS	SPACER 4MM	4
7	102136GS	SPACER 24MM	2
8	102111GS	VIBRATION MOUNT 32MM DIAMETER	2
9	102029GS	NUT FLANGE M8-1.25	10
10	102145GS	DIPSTICK	1
11	102194GS	WASHER RUBBER 80*34*1.5MM	1
12	102144GS	OIL-FILL EXTENSION TUBE	1
13	102146GS	SWITCH TEMPERATURE	1
14	102026GS	SCREW SET	2
15	102033GS	VIBRATION MOUNT 45 DEGREE SOFT	1
16	102031GS	VIBRATION MOUNT 45 DEGREE HARD	1
17	102207GS	PLUG OIL DRAIN	1
18	102151GS	OIL DRAIN HOSE	1
19	102208GS	UNION ADAPTOR	1
20	102209GS	WASHER SEAL	1
21	102415GS	DEFLECTOR EXHAUST	1
22	102398GS	MUFFLER	1
23	102166GS	SCREW SELF DRILL #8*12.7 PPHD	2
24	102156GS	BRACKET EXHAUST MOUNTING	1
25	102304GS	GASKET EXHAUST	2
26	102409GS	MANIFOLD EXHAUST	1

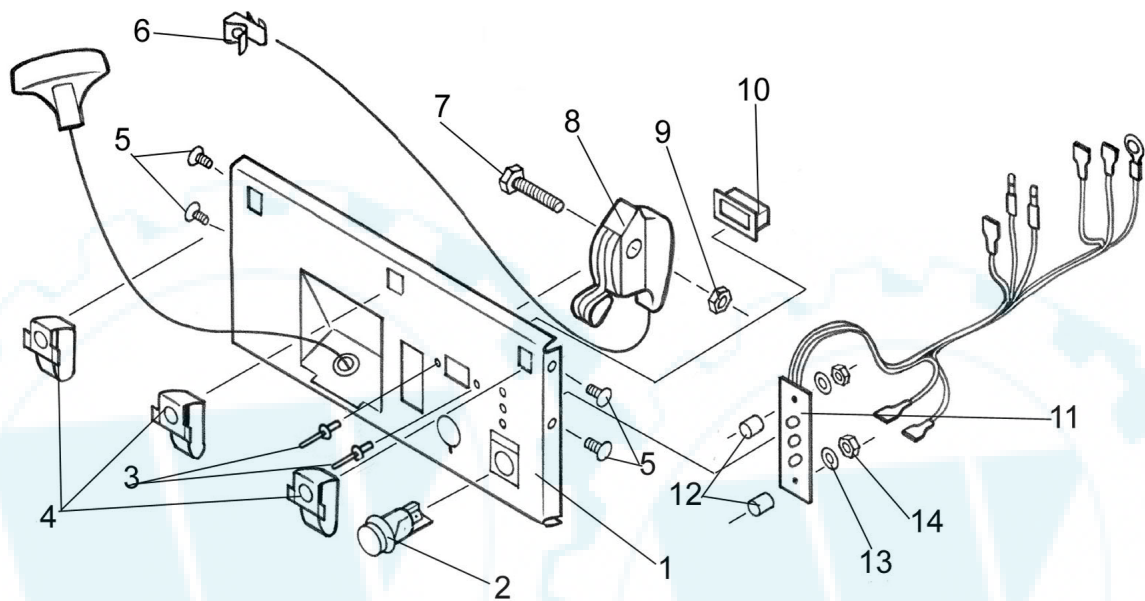
Model No. HPP1602-0

PAGE 5 OF 11

Ihr Ersatzteilspezialist im Internet



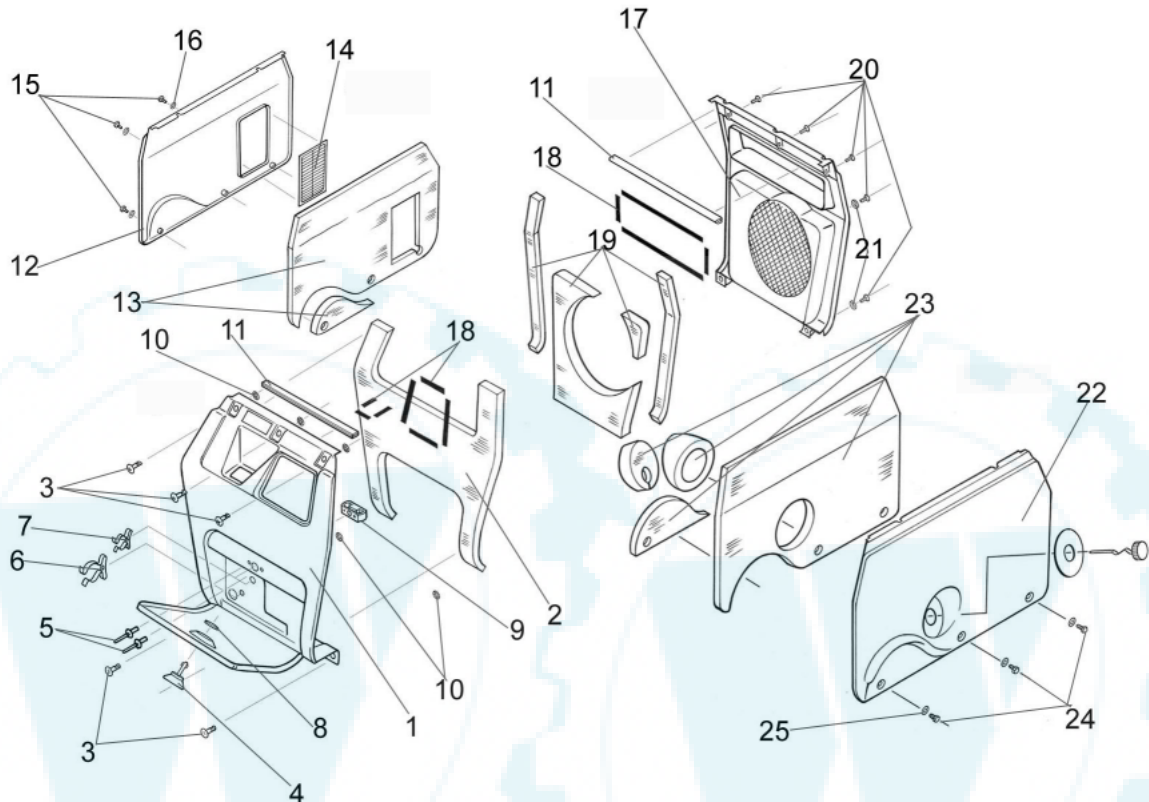
Engine Control Panel



ITEM	PART ID	PART DESCRIPTION	QTY
1	102141GS	CONTROL PANEL ENGINE	1
2	102147GS	SWITCH PUSH BUTTON RED	1
3	102113GS	RIVET POP 4MM * 10MM	2
4	102178GS	FASTENER RECEPTACLE 1/4 TURN	3
5	102165GS	SCREW SELFTAP 5.5*1.8*13MM	4
6	102175GS	CLIP CONTROL CABLE STOP	1
7	102123GS	BOLT M6-1.0X35MM BLACKENED	1
8	102143GS	CHOKE/THROTTLE LEVER	1
9	102101GS	NUT NYLOCK M6-1.0	1
10	102125GS	HOUR METER, MAINTENANCE REMINDER	1
11	102174GS	WARNING LIGHT ASSEMBLY	1
12	102197GS	SPACER NYLON M4*7.9*6.4MM	2
13	102199GS	WASHER FLAT M4	2
14	102198GS	NUT NYLOCK M4-0.7	2



Acoustic Panels



ITEM	PART ID	PART DESCRIPTION	QTY
1	102126GS	PANEL ENGINE END	1
2	102180GS	ACOUSTIC FOAM (PANEL 188694)	1
3	102179GS	FASTENER STUD RAPIER 7MM	5
4	102183GS	FASTENER STUD PLASTIC KNOB	1
5	102164GS	RIVET POP CSHD 3.2*11MM	4
6	102162GS	PIPE-CLIP 1" OD	1
7	102163GS	PIPE CLIP 3/4"	1
8	102182GS	FASTENER RECEPTACLE 1/4 TURN	1
9	102196GS	RETAINER 1/4 TURN FASTENER DART	1
10	102195GS	RETAINER 1/4 TURN FASTENER 7MM	5
11	102181GS	SEAL EDGE MOUNTING 2MM PANEL	2
12	102128GS	PANEL EXHAUST SIDE (INCLUDES GRILL)	1
13	102185GS	ACOUSTIC FOAM (PANEL 188696)	1
14	102150GS	GRILL (AIR OUT)	1
15	102201GS	SCREW SET M6*20 SLOTTED HEAD	3
16	102105GS	WASHER PLAIN M6	3
17	102127GS	PANEL OUTLET END INC. FAN COWLING & GRILL	1
18	102192GS	FOAM SEALING TAPE3*6MM	1
19	102184GS	ACOUSTIC FOAM(PANEL 188695) 4 PIECES	1
20	102201GS	SCREW SET M6*20 SLOTTED HEAD	5
21	102105GS	WASHER PLAIN M6	2
22	102129GS	PANEL OIL FILL SIDE	1
23	102186GS	ACOUSTIC FOAM (PANEL 188699) 4 PIECES	1
24	102201GS	SCREW SET M6*20 SLOTTED HEAD	3
25	102105GS	WASHER PLAIN M6	3

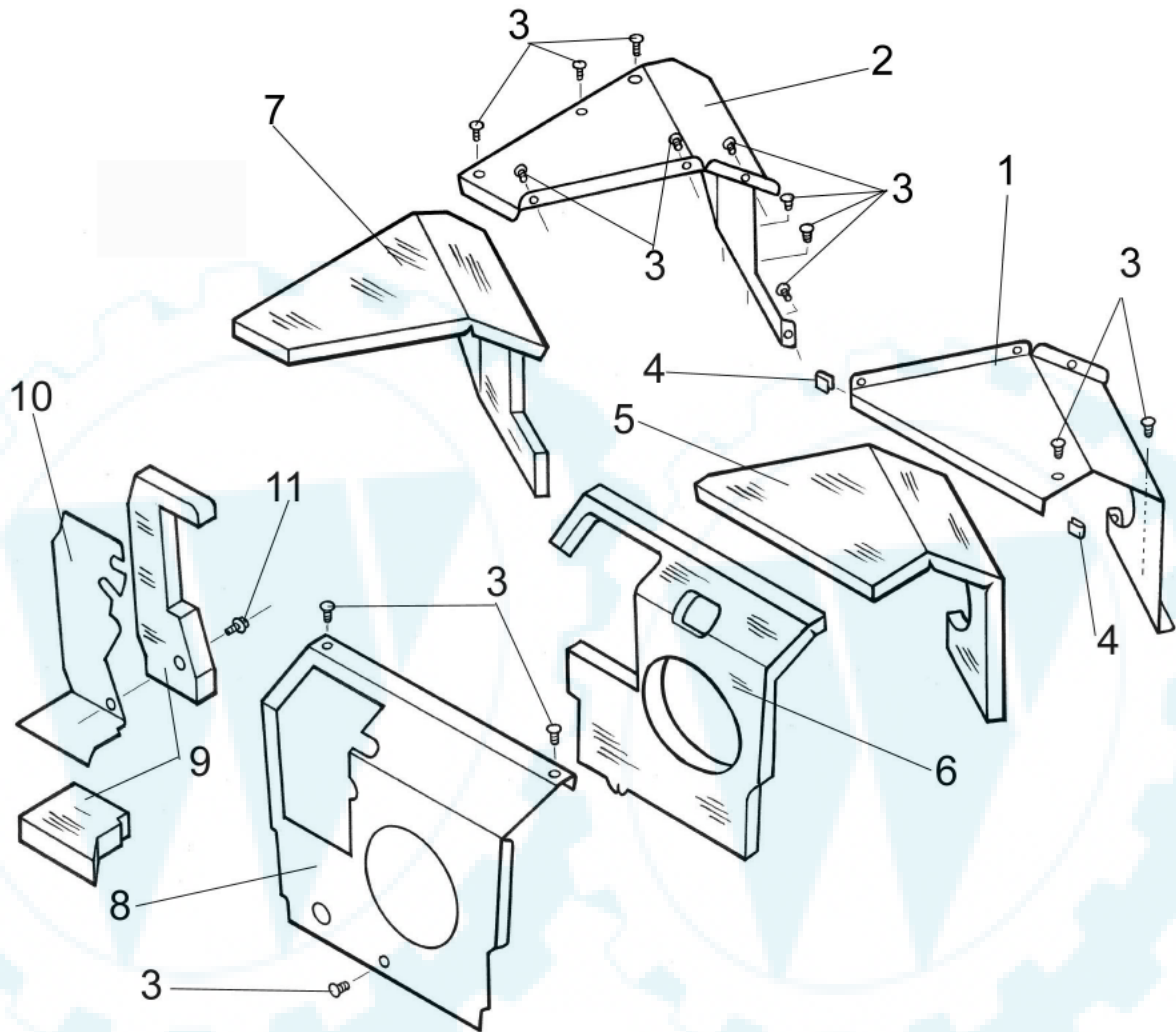
Model No. HPP1602-0

PAGE 7 OF 11

Ihr Ersatzteilspezialist im Internet



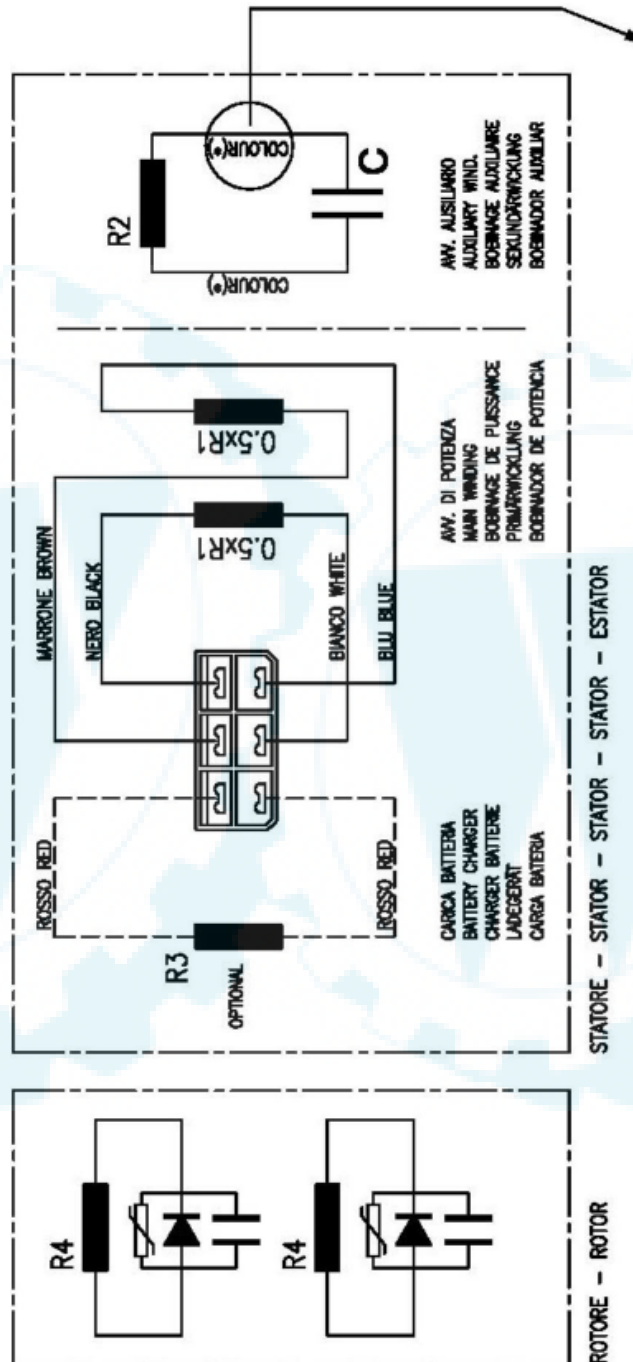
Air Ducting Assembly



1	102152GS	DUCTING PANEL 1. ALTERNATOR END	1
2	102153GS	DUCTING PANEL 2. ALTERNATOR END	1
3	102193GS	SCREW TAPTITE PPHD 4.2*1.4*8MM	14
4	102169GS	EDGE PANEL FASTENER	2
5	102170GS	ACOUSTIC FOAM (PANEL AK20)	1
6	102172GS	ACOUSTIC FOAM (PANEL AK22)	1
7	102171GS	ACOUSTIC FOAM (PANEL AK21)	1
8	102154GS	DUCTING PANEL 3. ENGINE END	1
9	102189GS	ACOUSTIC FOAM (PANEL AK27)	1
10	102155GS	HEATSHIELD CARBURETTOR	1
11	102102GS	SCREW TAPTITE M5-0.8 * 10MM	1



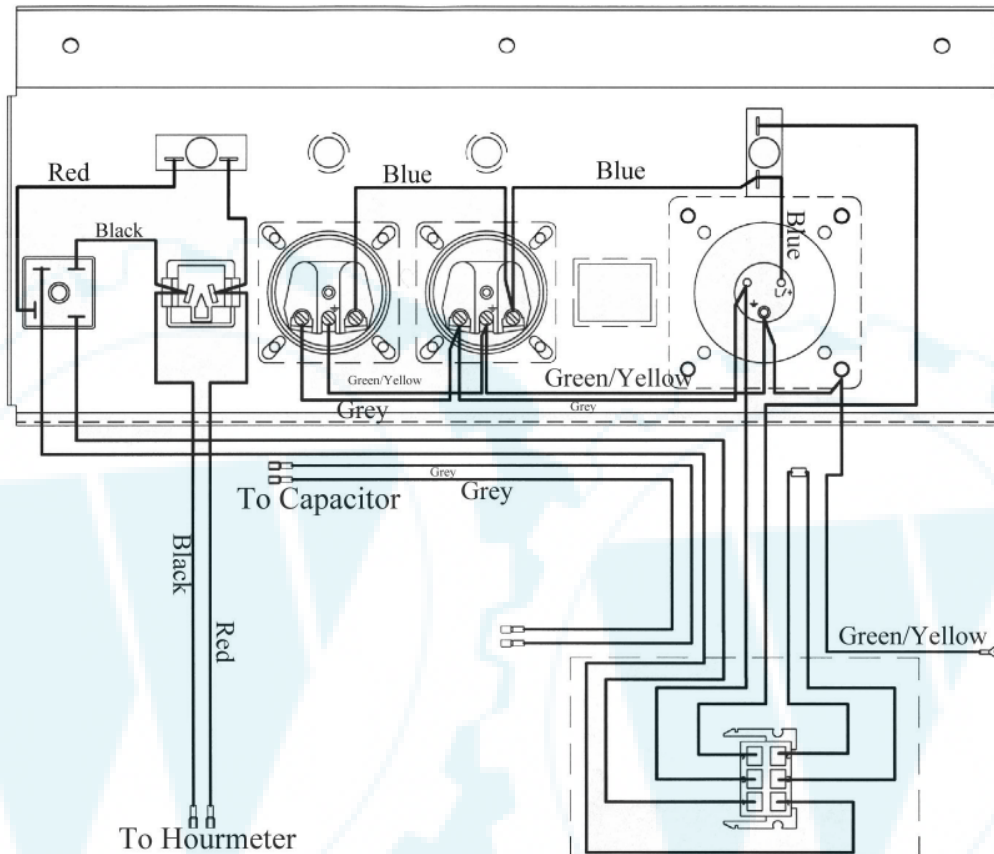
Alternator Wiring Diagram



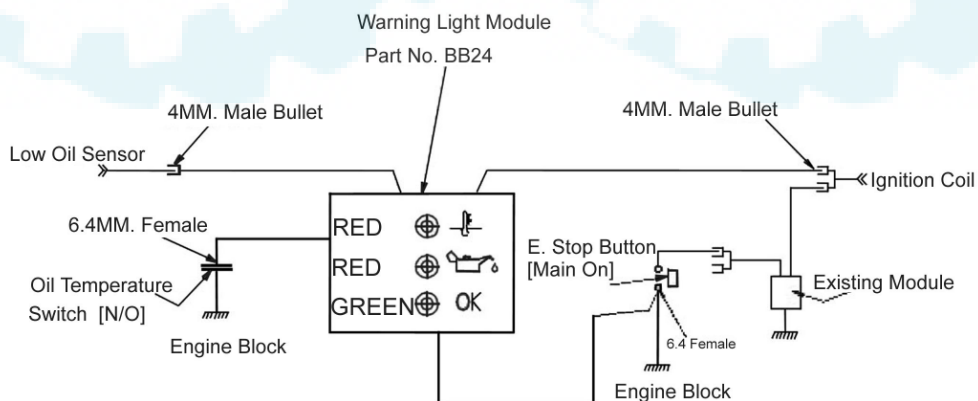
RESISTANCE VALUES AT 20 °C
ROTOR 2.1 OHMS
POWER 1.23 OHMS
EXCITATION 2.4 OHMS



Panel Wiring Diagram

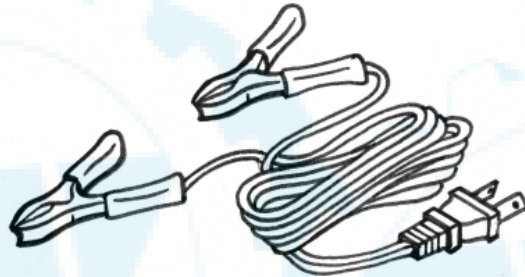


Maintenance Wiring Diagram





Tools and Battery Cable



Part ID	Part Description	Qty
102110GS	Wrench - Spark Plug	1
102100GS	Cable Battery Charge	1

Decal & Manual Items *Not Shown

PART ID	PART DESCRIPTION	QTY
102158GS	DECAL BSQ4500	2
102048GS	DECAL GND	1
102041GS	DECAL CAUTION HOT	1
102076GS	DECAL ELECTRICAL HAZARD	1
102157GS	DECAL, PANEL ENGINE CONTROL	1
102077GS	DECAL WARNING READ MANUAL	1
102203GS	WHEEL KIT INSTRUCTION SHEET	1
102065GS	MANUAL OWNERS BS2012	1