



B S P 5 0 0 0

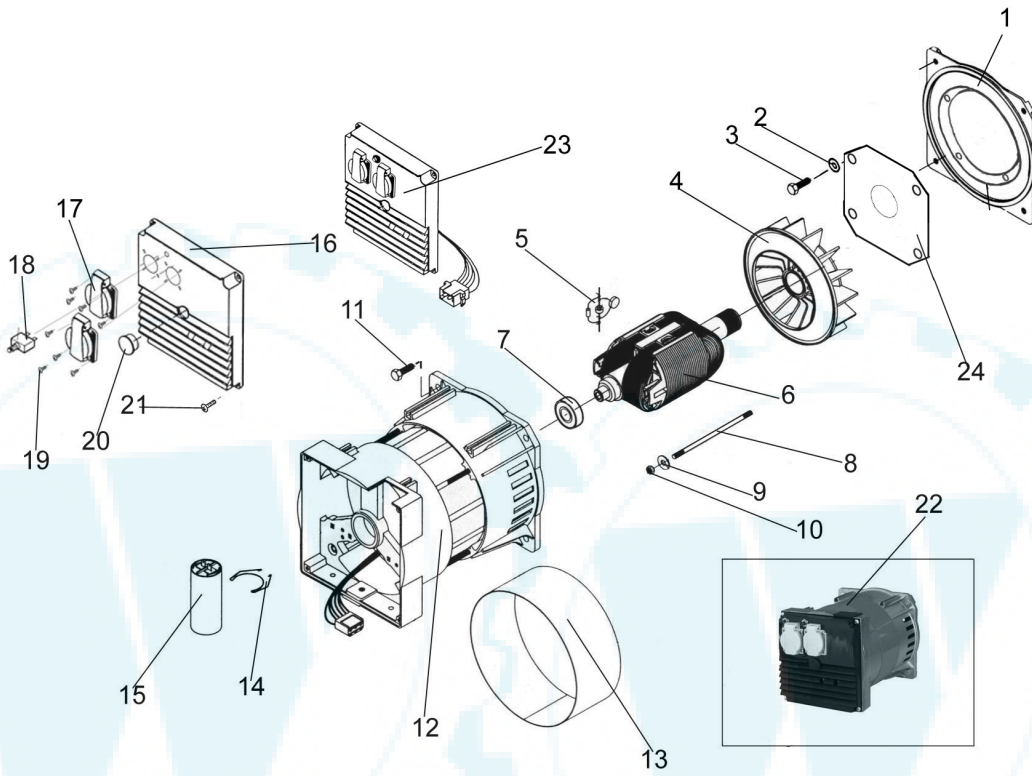
PARTS LIST



Model No. HPP1599-0 BSP5000
Manual No. 102258GS Rev 0



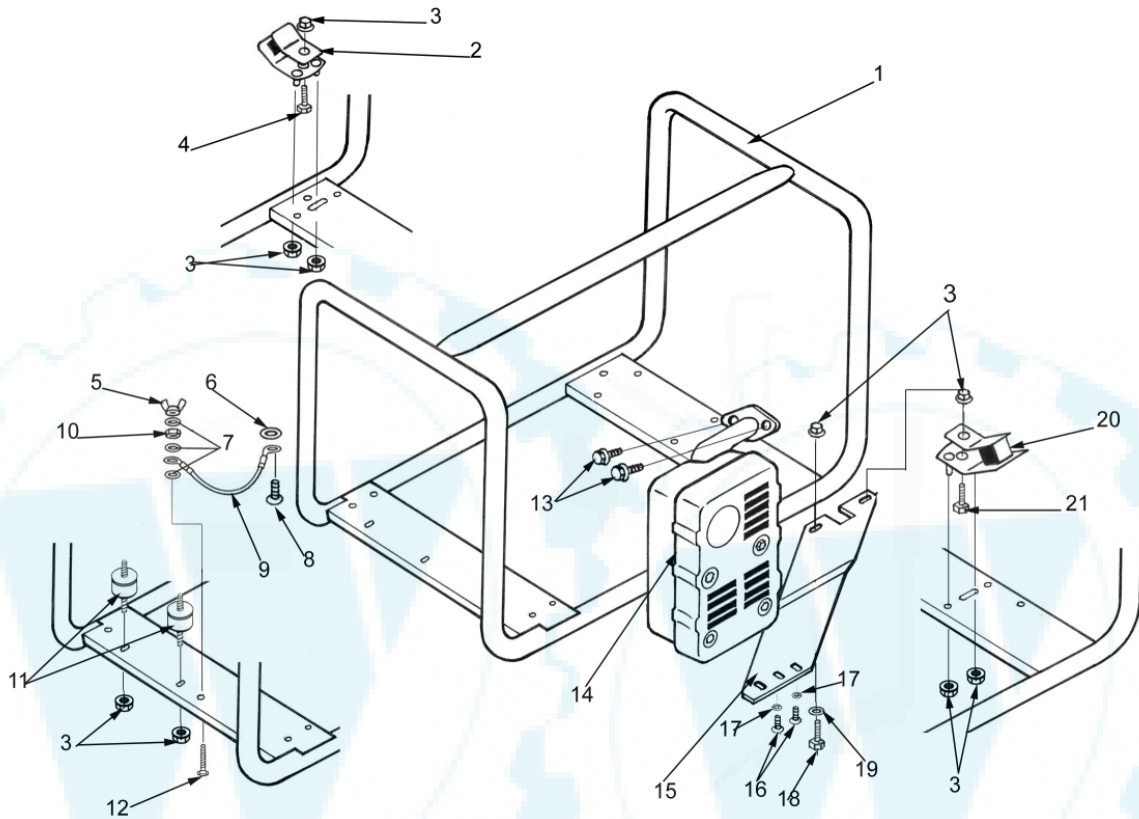
Alternator with Outlet Panel



ITEM	PARTID	PARTDESCRIPTION	QTY
1	102138GS	FLANGE PLATE	1
2	102099GS	WASHER LOCK M10/ 3/8 OXY BLACK	4
3	102098GS	SCREW CAP 3/8" UNC X 1"	4
4	102073GS	ROTOR FAN SINCRO	1
5	102052GS	DIODE & VARISTOR ASSY	2
6	102217GS	ROTOR ASSY SINCRO GP3.5	1
7	102038GS	ROTOR BEARING	1
8	102382GS	ROTOR BOLT 235MM M8-1.25	1
9	102020GS	WASHER FLAT M8 & 5/16"	1
10	102017GS	NUT NYLOCK M8-1.25 TYPE T	1
11	102035GS	SCREW SET 5/16"UNF X 3/4"	4
12	102218GS	STATOR ASSEMBLY SINCRO GP3.5/EP4.2	1
13	102094GS	STATOR COVER BAND	1
14	102083GS	CAPACITOR CLIP EP SERIES	1
15	102251GS	CAPACITOR 35UF	1
16	102075GS	OUTLET PANEL BLANK (FITTINGS REMOVED)	1
17	102030GS	SOCKET OUTLET G/S	2
18	102133GS	CIRCUIT BREAKER 15A	1
19	102040GS	SCREW PLASTITE PPHD NO6 * 3/8"	8
20	102085GS	END CAP PLASTIC PLUG	1
21	102087GS	SCREW MC PPHD M5*10MM	4
22	102221GS	ALTERNATOR SINCRO EP4.2	1
23	102222GS	OUTLET PANEL ASSY	1
24	102252GS	GUARD FINGER	1



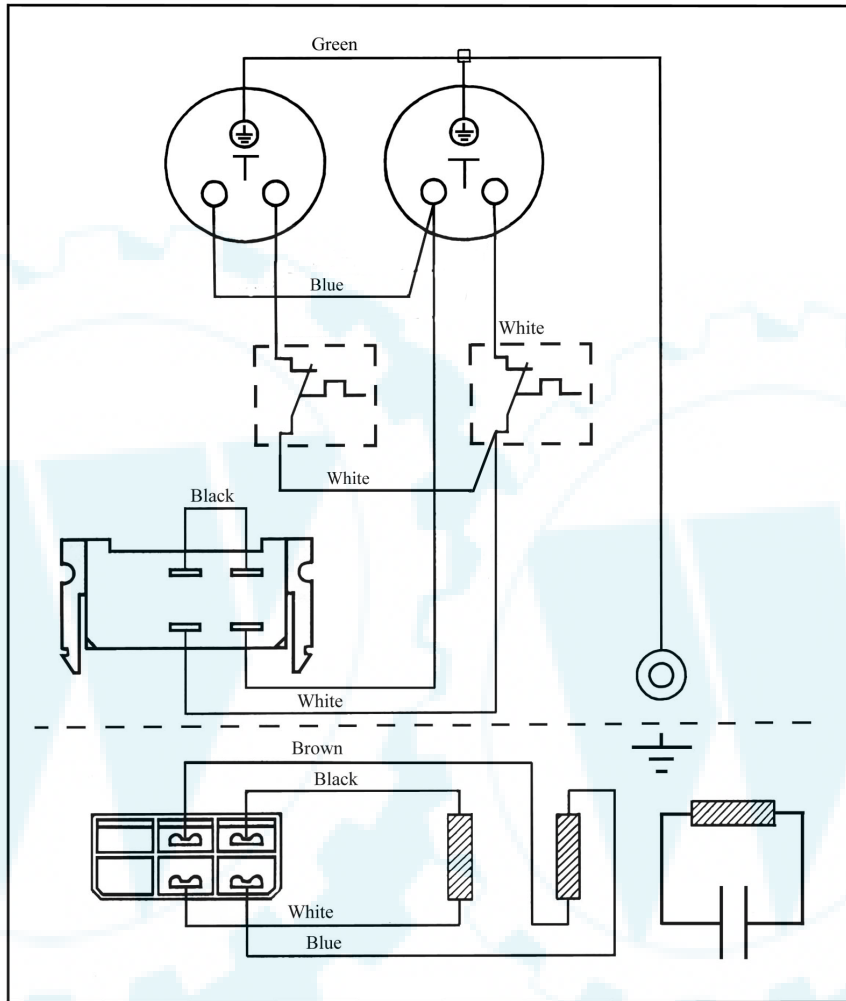
Frame Mounts and EPA



ITEM	PARTID	PARTDESCRIPTION	QTY
1	102253GS	CRADLE PP5000	1
2	102033GS	VIBRATION MOUNT 45 DEGREE SOFT	1
3	102029GS	NUT FLANGE M8-1.25	8
3	102029GS	NUT FLANGE M8-1.25	1
4	102026GS	SCREW SET	1
5	102036GS	NUT WING M6-1.0	1
6	102024GS	WASHER SHAKEPROOF M8 INT	1
7	102362GS	WASHER SHAKEPROOF 1/4"	3
8	102117GS	SCREW SET M8-1.25X12 PLATED	1
9	102050GS	LEAD EARTH ASSY 145MM	1
10	102028GS	NUT FULL M6-1.0	1
11	102034GS	VIBRATION MOUNT 32MM DIAMETER	2
12	102037GS	SCREW SET M6-1.0X25MM PLATED	1
13	102363GS	SCREW SET 5/16" UNC * 3/4"	2
14	102255GS	MUFFLER INTEK 8	1
15	102364GS	BRACKET EXHAUST	1
16	102027GS	SCREW SET HHD M6-1.0*12MM	2
17	102018GS	WASHER SPRING M6 & 1/4"	2
18	102026GS	SCREW SET	1
19	102020GS	WASHER FLAT M8 & 5/16"	1
20	102031GS	VIBRATION MOUNT 45 DEGREE HARD	1
21	102264GS	BOLT M8-1.25 X40	1



Panel Wiring Diagram



RESISTANCE VALUES AT 20 °C

ROTOR 2.1 Ohms

POWER 1.23 Ohms

EXCITATION 2.9 Ohms

Decal & Manual Items *Not Shown

PART ID	PART DESCRIPTION	QTY
102048GS	DECAL GND	1
102077GS	DECAL WARNING READ MANUAL	1
102076GS	DECAL ELECTRICAL HAZARD	1
102256GS	TAPE ADD OIL WARNING	1
102041GS	DECAL CAUTION HOT	1
102257GS	DECAL BSP5000 B & S 400 X 80MM	1
102065GS	MANUAL OWNERS BS2012	1