



G-Force 1600

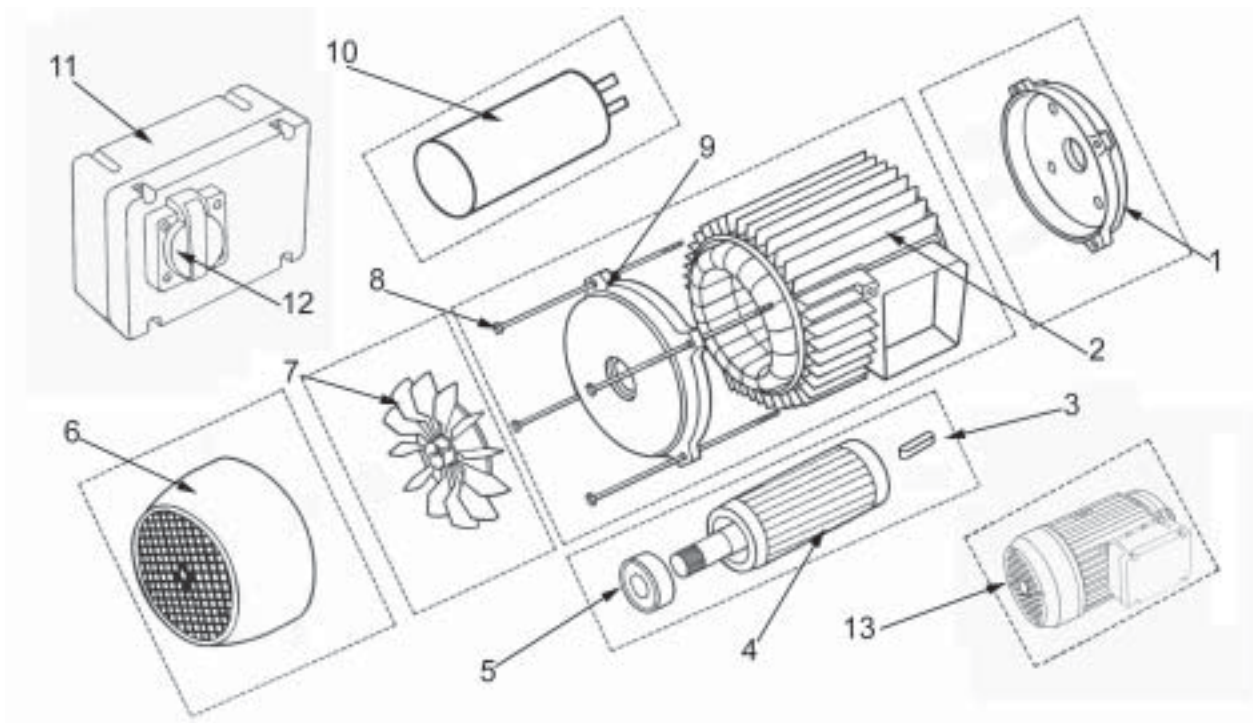
PARTS LIST



Model No. 1819-0 G-Force 1600
Manual No. 102639GS Rev 0



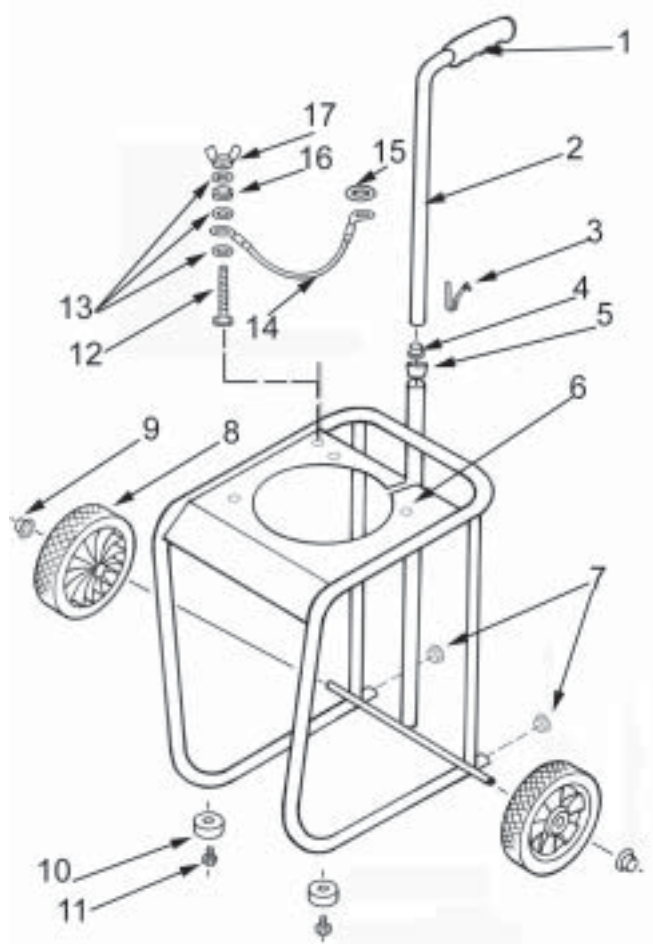
Alternator & Outlet Panel



ITEM	PART ID	PART DESCRIPTION	QTY
1	102572GS	FLANGE ALTERNATOR	1
2	102573GS	STATOR TEKEL 1KW	1
3	102576GS	WOODRUFF KEY NO 505	1
4	102574GS	ROTOR TEKEL 1KW	1
5	102575GS	BEARING ROTOR TEKEL 1KW	1
6	102579GS	FAN GUARD TEKEL 1KW	1
7	102577GS	FAN TEKEL 1KW	1
8	102591GS	BOLT STATOR M5*160MM	4
9	102578GS	BEARING CARRIER TEKEL 1KW	1
10	102293GS	CAPACITOR 40UF	1
11	B3983	OUTLET BOX COMPLETE SOGA 1.2KW G/S	1
12	102640GS	SOCKET OUTLET FRENCH	1
13	102571GS	ALTERNATOR TEKEL 1KVA G/S (USE102570GS) *	1
*	102570GS	ALTERNATOR SOGA 1.2 KVA G/S	1



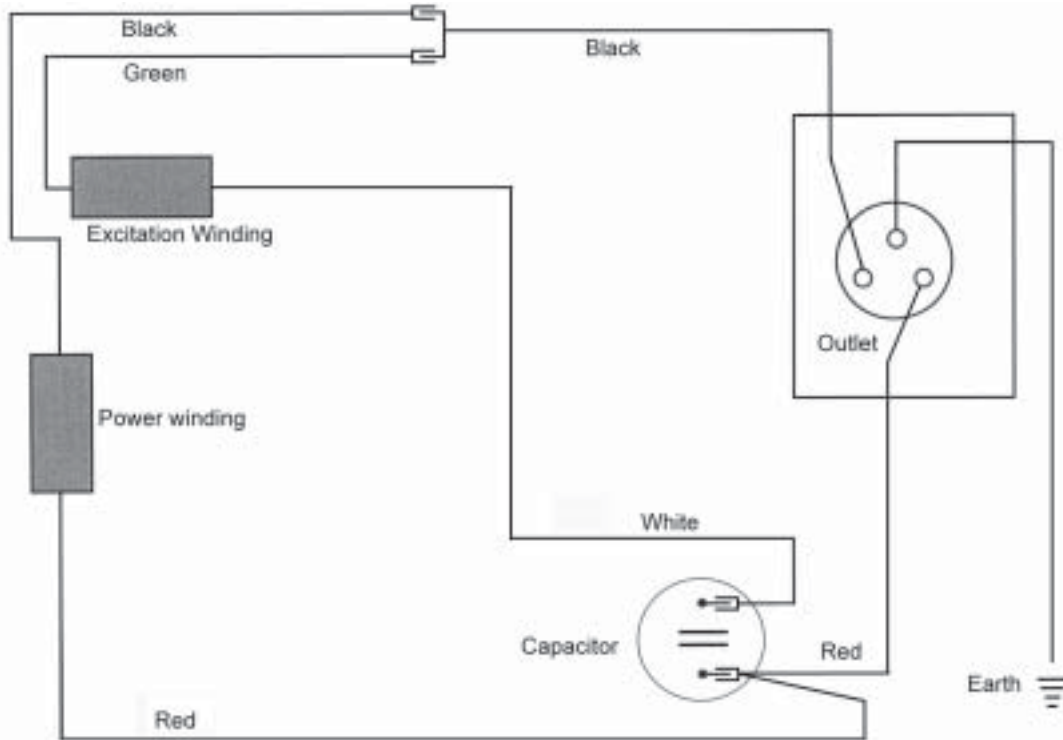
Frame and Fittings



ITEM	PART ID	PART DESCRIPTION	QTY
1	102465GS	GRIP 3/4" HANDLE BLACK	1
2	102583GS	FRAME HANDLE	1
3	102584GS	SPRING CLIP 7/8" TUBE	1
4	102467GS	FERRULE PLASTIC PLUG 3/4" TUBE	2
5	102582GS	ANTI-RATTLE RING	1
6	102586GS	FRAME CRADLE VT1400	1
7	102585GS	PLUG BLACK 3/4"/16SWG TUBE	2
8	102461GS	WHEEL 7"	2
9	102462GS	PUSHNUT	2
10	102463GS	VIBRATION MOUNT EG SERIES	4
11	102229GS	SCREW MACHINE HHD M8-1.25*16MM	2
12	102037GS	SCREW SET M6-1.0X25MM PLATED	1
13	102021GS	WASHER SHAKEPROOF 1/4" & M6 INT	3
14	102378GS	LEAD EARTH ASSY 125MM	1
15	102024GS	WASHER SHAKEPROOF M8 INT	1
16	102028GS	NUT FULL M6-1.0	1
17	102036GS	NUT WING M6-1.0	1



Alternator Wiring Diagram



RESISTANCE VALUES AT 20 °C
 POWER 2.03 OHMS
 EXCITATION 5.7 OHMS

Decal & Manual Items *Not Illustrated

PART ID	PART DESCRIPTION	QTY
102041GS	DECAL CAUTION HOT	1
102589GS	DECAL G-FORCE 1300	1
102048GS	DECAL GND	1
102076GS	DECAL ELECTRICAL HAZARD	1
102077GS	DECAL WARNING READ MANUAL	1
102590GS	MANUAL GENERIC-GFORCE	1