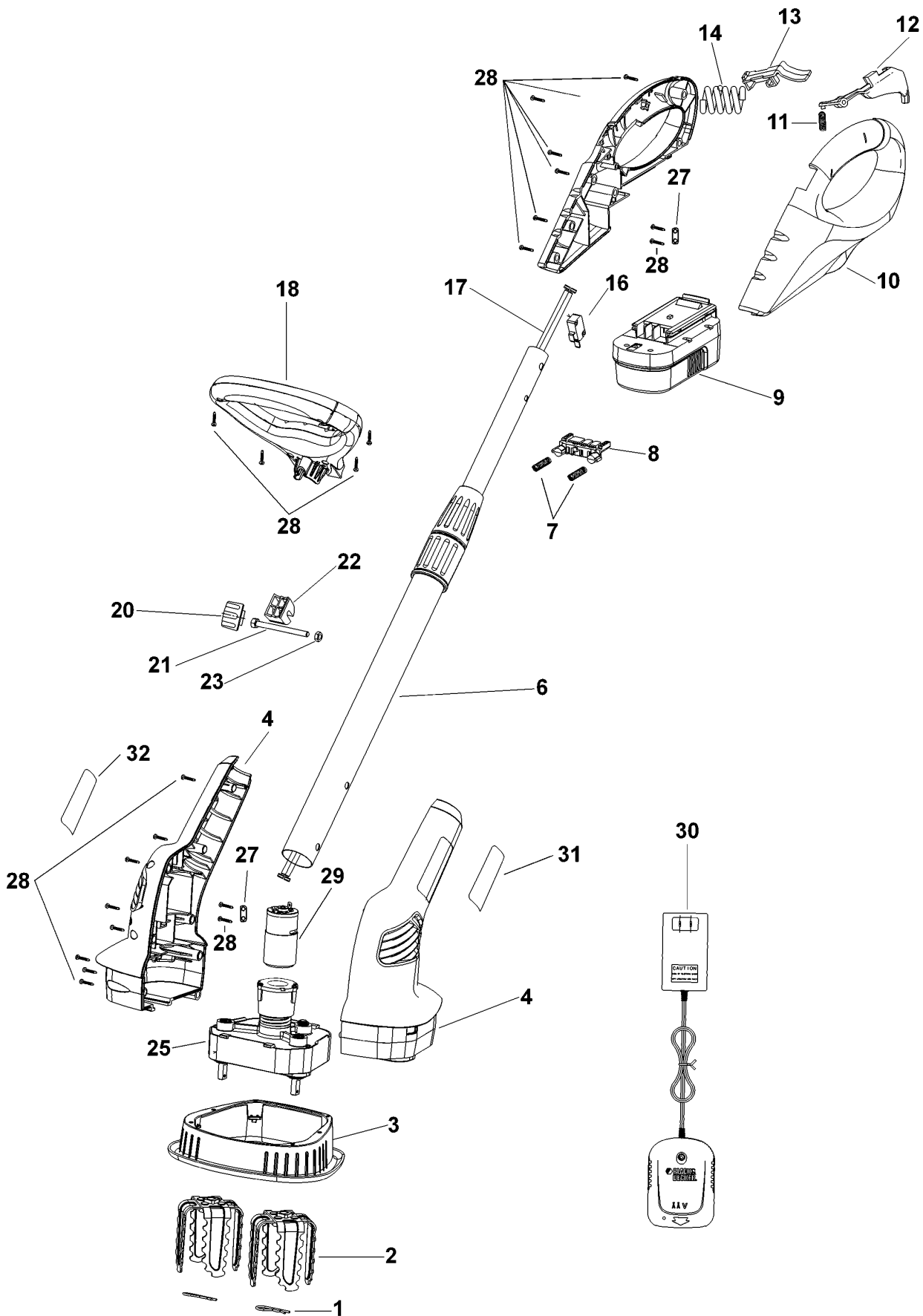


ELEKTRO-UNKRAUTJÄTER

GXC1000---A

TYPE 1



©

ELEKTRO-UNKRAUTJÄTER

GXC1000---A

TYPE 1



| Pos. Nr | Ersatzteilnummer | Beschreibung | Preis | Variants | |
|---------|------------------|--------------|-------------------|----------|-----------|
| 1 | 2 | 90506985 | HALTEKLAMMER | | |
| 2 | 2 | 90505847 | MESSER ZSB | | |
| 3 | 1 | 90507227 | RADKRANZ | | |
| 4 | 1 | 90507213-01 | MOTORGEHAUSE ZSB | | |
| 6 | 1 | 90509611 | ROHR ZSB | | |
| 7 | 2 | 5100035-03 | FEDER | | |
| 8 | 1 | 5100034-00 | ANSCHLUSSBLOCK | | |
| 9 | 1 | 90511893 | ACCU-PACK 18V | GB | GXC1000 |
| 9 | 1 | 90511893 | ACCU-PACK 18V | QW | GXC1000 |
| 9 | 1 | 5100385-54 | ACCU 18V - 1.5AH | QW | GXC1000NM |
| 9 | 1 | 90511682 | ACCU-PACK 18V | GB | GXC1000P |
| 10 | 1 | 90512654-01 | GRIFF ZSB | | |
| 11 | 1 | 5104136-00 | FEDER | | |
| 12 | 1 | 5104135-01 | SCHALTGRIFF | | |
| 13 | 1 | 5104137-01 | FESTSTELLKNOPF | | |
| 14 | 1 | 5104138-00 | FEDER | | |
| 16 | 1 | 5104141-00 | SCHALTER | | |
| 17 | 1 | 90509072 | MOTORKABEL | | |
| 18 | 1 | 90511888 | UNTERER GRIFF | | |
| 18 | 1 | 90511888 | UNTERER GRIFF | | |
| 20 | 1 | 5104152-00 | KNOPF | | |
| 21 | 1 | 5104151-00 | BOLZEN | | |
| 22 | 1 | 90508846 | EINSATZ | | |
| 23 | 1 | 5104148-00 | MUTTER | | |
| 25 | 1 | 90511421 | MOTOR + GETR.GEH. | | |
| 25 | 1 | 90505852 | GETRIEBE ZSB | | |
| 27 | 2 | 5100573-00 | KABELKLEMME | | |
| 28 | 22 | 5103541-00 | SCHRAUBE | | |
| 29 | 1 | 90510705 | MOTOR ZSB | | |
| 30 | 1 | 90500849 | LADEGERAET GB | GB | |
| 30 | 1 | 90500845 | LADEGERAET (EURO) | QW | |
| 31 | 1 | 90509353 | AUFKLEBER | GB | |
| 31 | 1 | 90509353 | AUFKLEBER | QW | |
| 32 | 1 | 90509355 | WARNSCHILD | GB | |
| 32 | 1 | 90509355 | WARNSCHILD | QW | |
| 33 | 1 | 90507220 | ABZUG | | |
| 34 | 1 | 90509356 | WARNSCHILD | | |