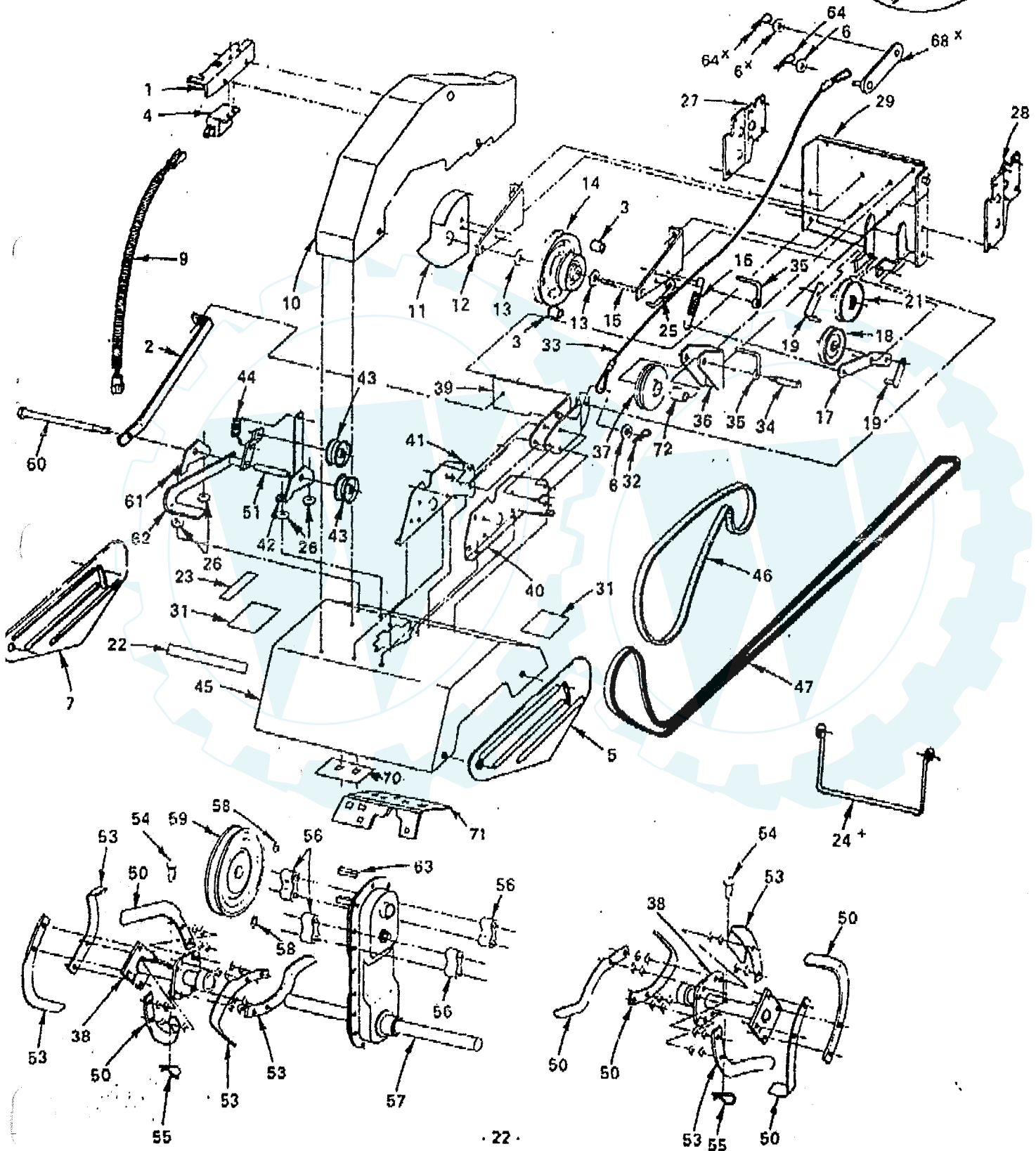
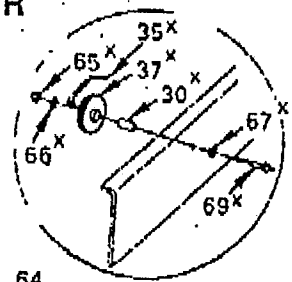


21" TILLER ATTACHMENT -- MODEL NUMBER TS150CR

www.ersatzteil-service.de



REPAIR PARTS

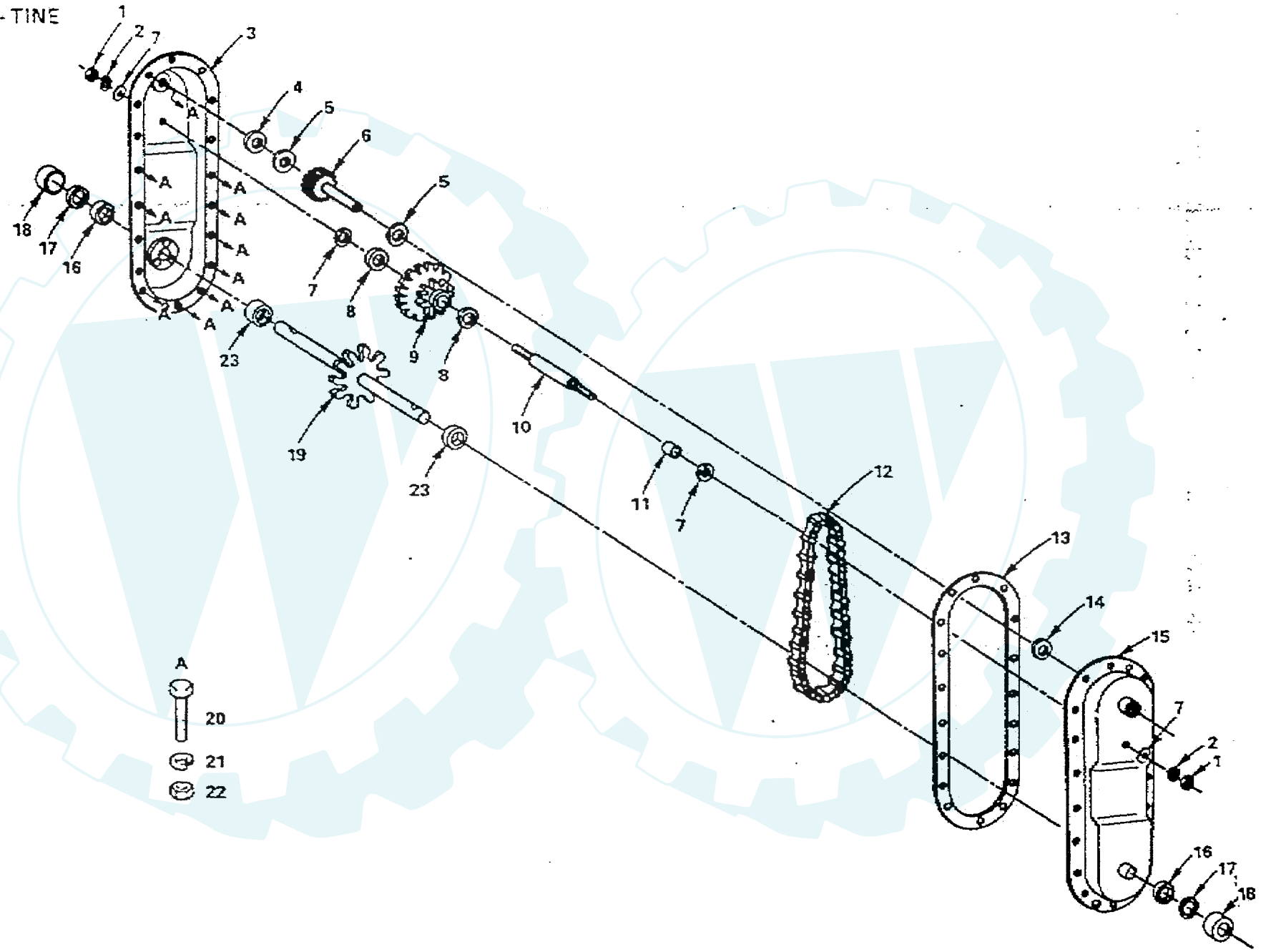
21" TILLER ATTACHMENT -- MODEL NUMBER TS150CR

KEY NO.	PART NO.	DESCRIPTION	KEY NO.	PART NO.	DESCRIPTION
1	105211X	Bracket - Switch, Interlock	33	104031X	Cable - Lift
2	105187X	Support - Arm	34	STD523725	* Bolt - Fin. Hex 3/8 - 16 x 2 - 1/2
3	146J	Bearing - Needle	35	104007X	Guide - Cable
4	104445X	Switch - Interlock	36	104010X	Bracket - Pulley & Cable
5	108710X	Shield - Side, Outer, R.H.	37	104006X	Pulley - Cable
6	19131416	Washer - 13/32 x 7/8 x 16 Ga.	38	104048X	Tine Assembly
7	108711X	Shield - Side, Outer, L.H.	39	104056X	Bar Assembly - Lift
9	102993X	Harness - Tiller	40	4435J	Bracket - R.H.
10	104039X	Guard Assembly - Belt, Secondary	41	102988X	Bracket - L.H.
11	104055X	Guard Assembly - Belt, Pulley	42	104042X	Bracket Assembly - Support, Clutch
12	104019X	Support - Pulley, - Reduction, L.H.	43	9178R	Pulley - Idler
13	1370H	Washer - Thrust 5/8 x 1.10 x 1/32	44	102981X	Spring - Extension
14	104053X	Pulley - Assembly, Reduction w/Brg's.	45	104060X	Shield Assembly - Tine
15	104052X	Support Assembly - Pulley, Reduction, R.H.	46	104022X	V-Belt - Secondary
16	104023X	Spring Extension	47	123642X	V-Belt - Primary
17	104003X	Arm - V-Idler	50	101193M	Tine - R.H., 14"
18	104012X	Pulley - V-Idler	51	102985X	Bushing - Pivot, Clutch
19	104051X	Keeper Assembly - Belt, V-Idler	53	101194M	Tine - L.H., 14"
21	4371J	Pulley - Idler, 3 - 3/4	54	4929H	Rivet - Pan Hd, Drilled
22	279J	Decal - Sears	55	3146R	Clip - Hairpin
23	4781J	Decal - Instruction	56	4445J	Spacer - Gearcase
24	102999X	Snubber - Belt	57	104058X	Transmission Assembly
25	120803X	Guide - Cable	58	STD503103	* Screw - Set Hex Sk. 5/16 - 18 x 3/8
26	19111610	Washer 11/32 x 1 x 10 Ga.	59	4370J	Sheave - Trans. 7
27	108664X	Plate Assembly - Attachment, L.H.	60	102992X	Bolt - Fin. Hex 3/8-16 x 5-1/4
28	108663X	Plate Assembly - Attachment, R.H.	61	102986X	Bracket - Support, Clutch
29	123598X	Plate Assembly - Attachment, Center	62	104041X	Handle Assembly - Clutch
30	109135X	Bushing 5/16 x 5/8 x 1 - 1/2	63	2649M	Key - Sq. 3/16 x 1.125
31	104476X	Decal - Warning	64	4939M	Spring - Retainer
32	4940M	Spring - Retainer	65	73680500	Nut - Crownlock 5/16 - 18
			66	19111212	Washer 11/32 x 3/4 x 12 Ga.
			67	19112010	Washer 11/32 x 1 - 1/4 x 10 Ga.
			68	109077X	Link Assembly - Lift
			69	STD523127	* Bolt - Hex 5/16 - 18 x 2 - 3/4
			----	123754X	Owners Manual
			70	120808X	Plate - Tine Shield Rear
			71	120809X	Plate - Tine Shield Front
			72	104032X	Bushing - 3/8 x 5/8 x 1 1/2

* STANDARD HARDWARE--PURCHASE LOCALLY

21" TILLER ATTACHMENT -- MODEL NUMBER TS150CR

TRANSMISSION - TINE



- A
- 20
- 21
- 22

26

FROM : RYP-REPAIR PARTS TO : 9196213555 1992.04-28 08:36PM #254 P.05/07

REPAIR PARTS

21" TILLER ATTACHMENT -- MODEL NUMBER TS150CR

TRANSMISSION - TINE

KEY NO.	PART NO.	DESCRIPTION
--	104058X	Transmission Assembly - Tine
1	STD541037	*Nut - Hex 3/8 - 16
2	STD551137	*Lockwasher 3/8
3	104046X	Cover Assembly - L.H. with Bearing (Key No. 4)
4	5020J	Bearing - Needle
5	1370H	Race - Bearing, Thrust
6	677A479	Shaft Assembly - Input
7	4358J	Washer
8	100413K	Bearing - Needle
9	677A480	Sprocket Assembly with Bearings (Key No's. 8)
10	6656J	Shaft - Intermediate
11	106389X	Spacer

KEY NO.	PART NO.	DESCRIPTION
12	4427J	Chain - Roller, 46P
13	7785J	Gasket - Gearcase
14	4895H	Bearing - Needle
15	104047X	Cover Assembly - R.H. with Bearing (Key No. 14)
16	9674R	Seal - Oil
17	9676R	Seal - Ring, Rubber
18	9672R	Cup - Formed
19	677A482	Shaft Assembly - Tine
20	STD523106	*Bolt - Hex 5/16 - 18 x 5/8
21	STD551131	*Lockwasher 5/16
22	STD541031	*Nut - Hex 5/16 - 18
23	104689X	Spacer
---	6066J	Grease Plastilub No. 1 (not furnished with your tiller)

*STANDARD HARDWARE-PURCHASE LOCALLY

- 27 -

FROM : AYP-REPAIR PARTS TO : 9196213655 1992.04-28 08:37PM #264 P.07/07

REPAIR PARTS

www.ersatzteil-service.de

21" TILLER ATTACHMENT -- MODEL NUMBER TS150CR

KEY NO.	PART NO.	DESCRIPTION
1	17531208	Screw - Hex Washer Hd, No. 12 - 14 x 1/2
2	STD522505	* Bolt - Fin. Hex Plt, 1/4 - 20 x 1/2
3	STD523717	* Bolt - Fin. Hex 3/8 - 16 x 1 - 3/4
4	73680600	Nut - Crownlock, 3/8 - 16
5	104030X	Bolt - Shoulder 7/16 - .625
6	STD551043	* Washer - 15/32 x 15/16 x 16 Ga.
7	73680700	Nut - Crownlock, 7/16 - 14
8	74760716	Bolt - Hex Fin, 7/16 - 14 x 1
9	STD551143	* Lockwasher, 7/16
10	72110506	Sq. Neck Carriage Bolt Sht. Shld. Ptd. 5/16 - 18 x 3/4
11	72110508	Sq. Neck Carriage Bolt Sht. Shld. Ptd. 5/16 - 18 x 1
12	STD523707	* Bolt - Fin. Hex 3/8 - 16 x 3/4
13	STD551137	* Lockwasher - 3/8
14	74760656	Bolt - Fin. Hex 3/8 - 16 x 3 - 1/2
15	STD541037	* Nut - Hex ASF 3/8 - 16
16	STD623710	* Bolt - Fin. Hex - 3/8 - 24 x 1 Gr. 5
17	STD541137	* Nut - ASF Hex - 3/8 - 24
18	STD623715	* Bolt - Fin. Hex 3/8 - 24 x 1 - 1/2 Gr. 5
19	STD523715	* Bolt - Fin. Hex 3/8 - 16 x 1 - 1/2
20	73680400	Crown Locknut 1/4 - 20
21	STD523107	* Bolt - Fin. Hex 5/16 - 18 x 3/4
22	STD551131	* Lockwasher, 5/16
23	17490508	Screw - Hex Washer Thd. RL 5/16 - 18 x 1/2
24	STD523710	* Bolt - Hex 3/8 - 16 x 1
25	17490520	Screw - Hex Washer Head Thd. Rolling 5/16 - 18 x 1 - 1/4
26	17490512	Screw - Hex Washer Hd, Thd, Rolling 5/16 - 18 x 3/4
27	19111216	Washer 11/32 x 3/4 x 16 Ga.
28	STD523106	* Bolt - Hex 5/16 - 18 x 5/8
29	19111116	Washer 11/32 x 11/16 x 16 Ga.
30	STD541031	* Nut - Hex 5/16 - 18
31	73690600	Locknut 3/8

* STANDARD HARDWARE - PURCHASE LOCALLY

+ USED ON ALL MODELS EXCEPT YT16 YARD TRACTOR,
MODEL NO. 917.255850, 254350, 254360, 254580, 254680,
254760, AND 254761