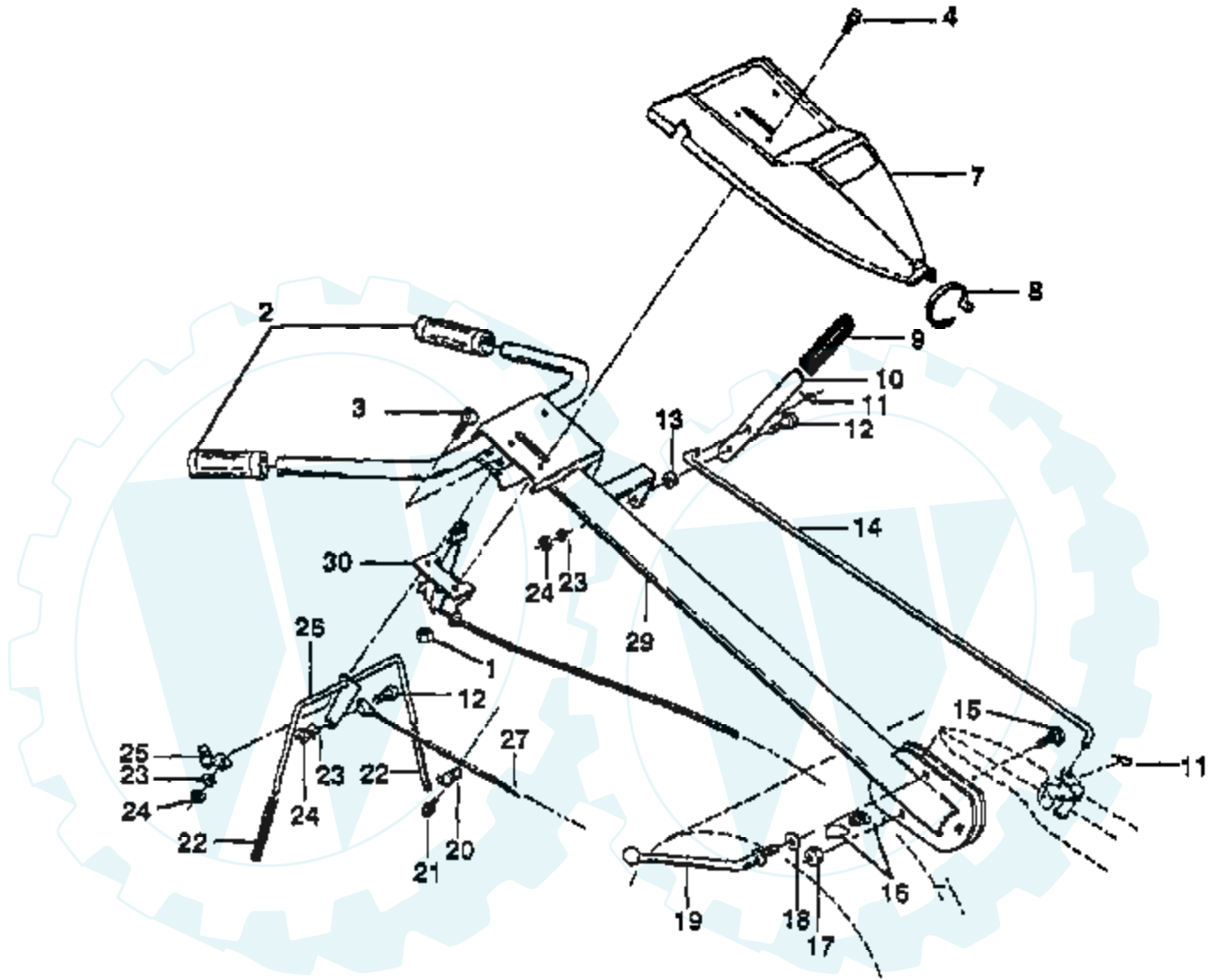


## 5 HP 17" CRT TILLER -- MODEL NUMBER YRT5B

### HANDLE ASSEMBLY



**NOTE:** All component dimensions given in U.S. inches.  
1 inch = 25.4 mm

Ref #	Part Number	Qty	Description
1	73731000		NUT
2	9266R		SUB= 624A78
3	72140404		BOLT
4	71091008		SCREW
7	126951X		"PANEL,CONT TI"
8	104164X		TIE CABLE CRT
9	8206H		GRIP T
10	109335X		SHIFT HANDLE CRT
11	4497H		RETAINER M
12	81328		SHOULDER BOLT ST
13	109313X		GROMMET CRT
14	109337X		SHIFT ROD CRT
15	72110608		BOLT D
16	109229X		LOCK CRT
17	5394H		SUB= 73930600
18	19131611		WASHER CRT
19	109228X		LEVER LOCK CRT
20	9484R		CONDIUT CLIP T
21	86777		SUB= 750097
22	102604X		GRIP BAR CRT
23	10040400		LOCKWASHER
24	73220400		SUB= 50675
25	102744X		SUB= 102744X431
26	105216X		"ASSY CONTROL, BAR"
27	102162X		CABLE.CLUTCH.CRT
29	127013X423		SUB= 155117
30	127012X		"CONT,THROTTLE"
	127485X		NLA
	127486X		NLA
	104322X		NLA
	124172X		NLA
	110614X		DECAL TI