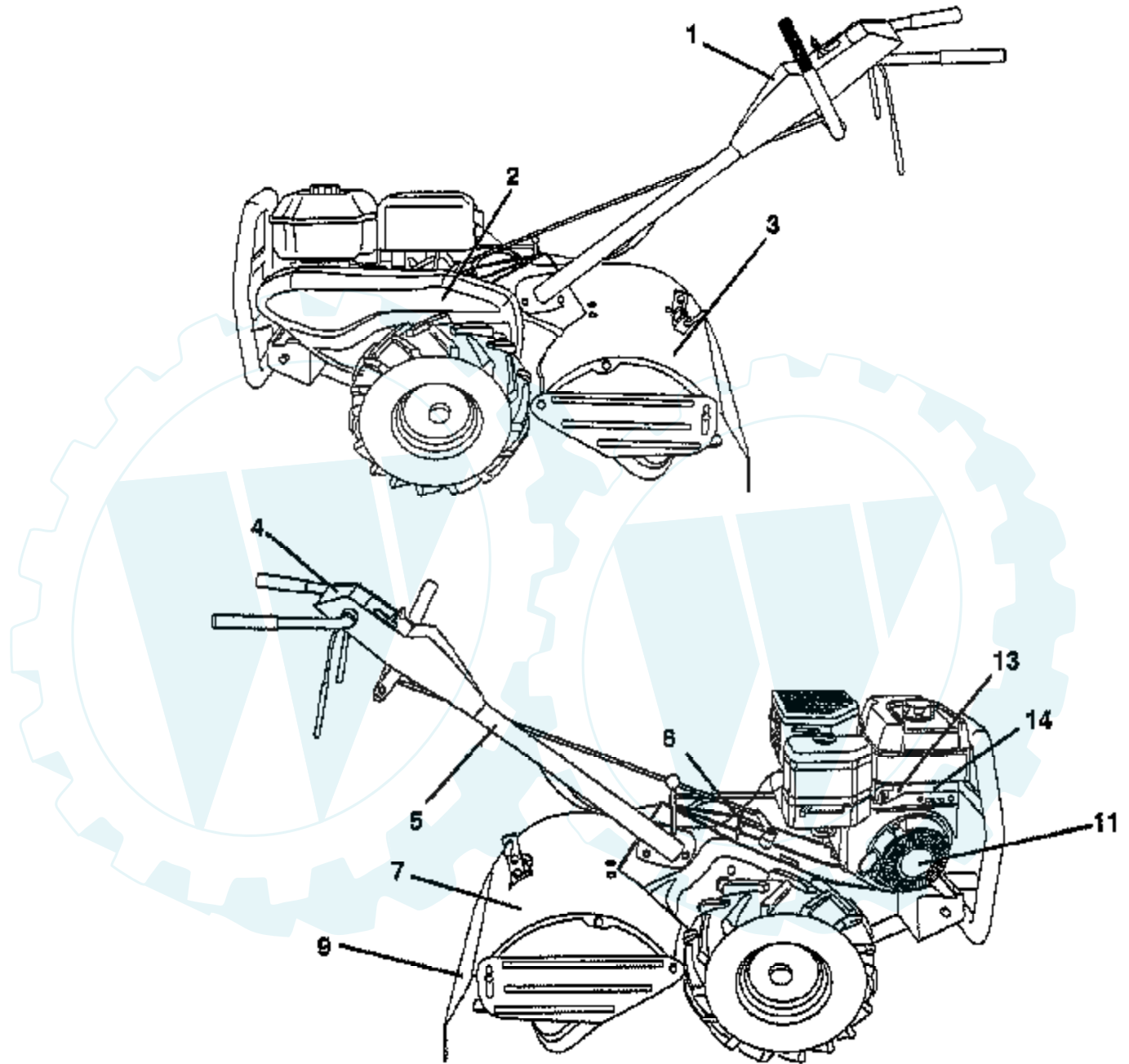


TILLER - MODEL NO. YPRTT6B

DECALS

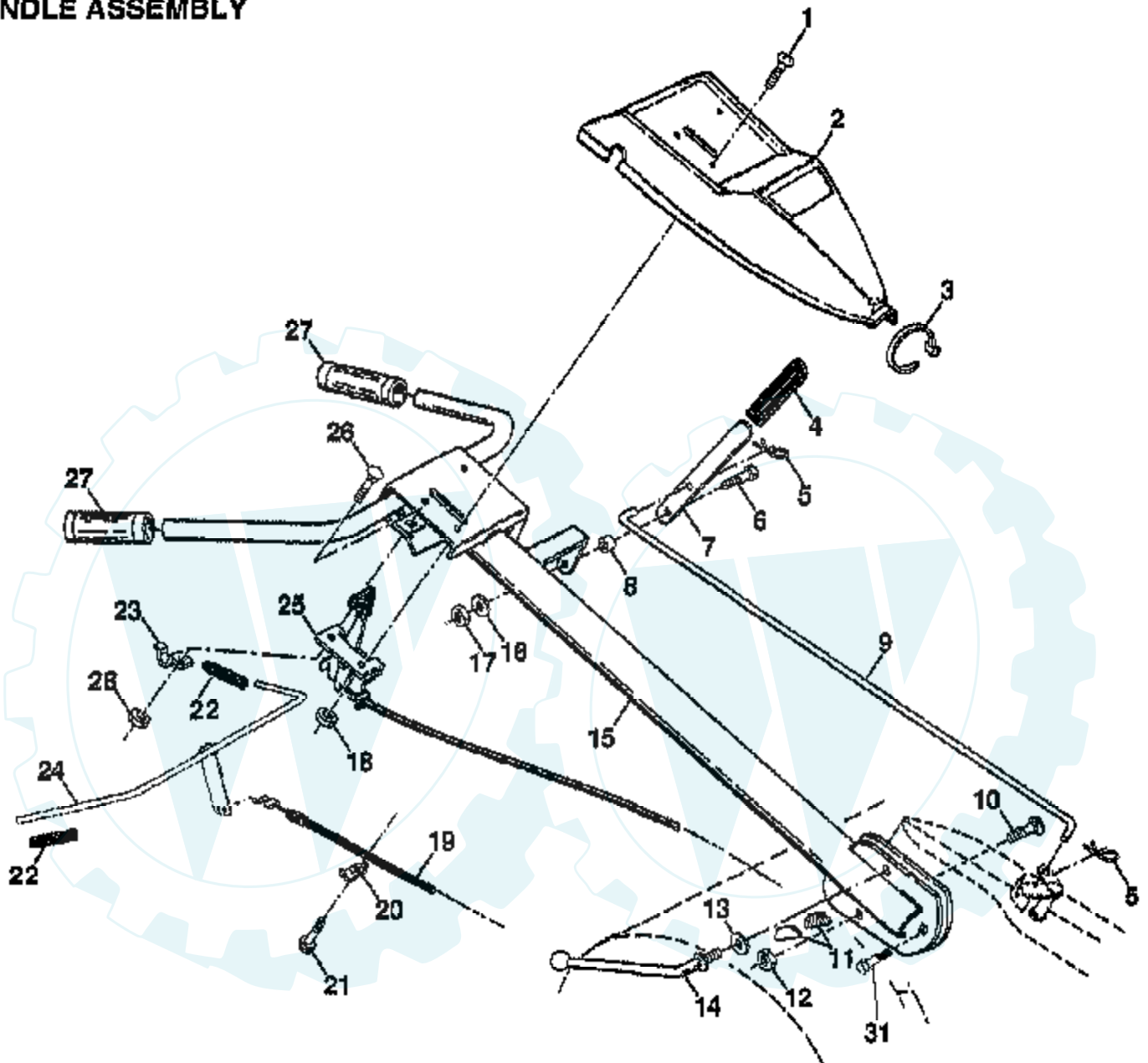


Ref #	Part Number	Qty	Description
1	156687		DECAL PANEL CNTRL
2	169148		DECAL
3	156715		DECAL SHIELD TINE
4	136942		DECAL.INSTRUCTION
5	110614X		DECAL TI
6	102180X		DECAL CRT
7	162384		DECAL.CAUTION
9	120076X		SUB= 120075X
11	166854		"DECAL,ENGINEOHP REF"
13	166856		DECAL, CHOKE
14	167483		DECAL
	169150		MANUAL.O.YPRTT6B.E
	169151		MANUAL, OWNER'S



TILLER - MODEL NO. YPRTT6B

HANDLE ASSEMBLY

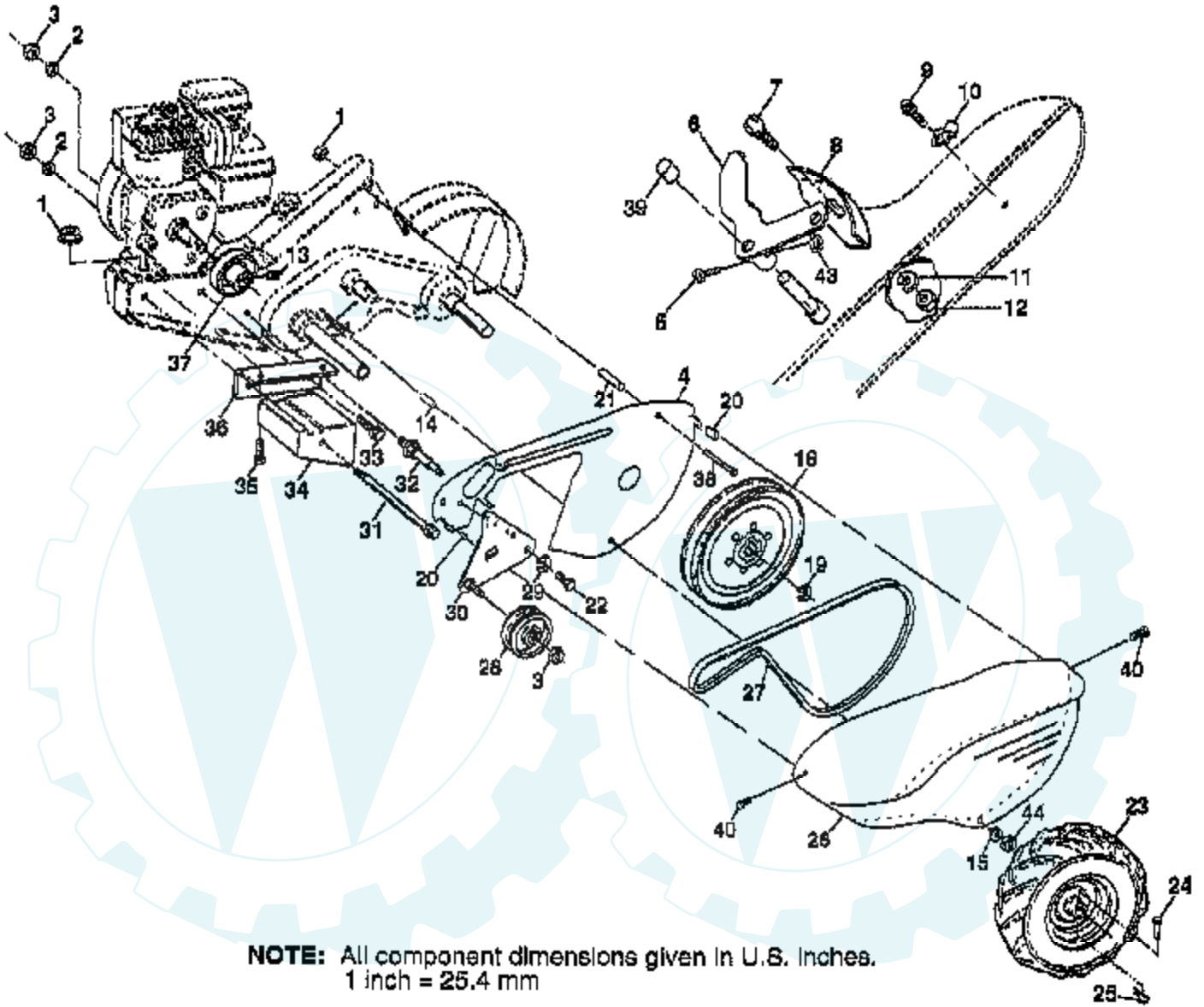


NOTE: All component dimensions given in U.S. Inches.
1 inch = 25.4 mm

Ref #	Part Number	Qty	Description
1	71191008		SCREW.PNHD.10-24
2	126951X		"PANEL,CONT TI"
3	104164X		TIE CABLE CRT
4	8206H		GRIP T
5	4497H		RETAINER M
6	81328		SHOULDER BOLT ST
7	109335X		SHIFT HANDLE CRT
8	109313X		GROMMET CRT
9	109337X		SHIFT ROD CRT
10	72110608		BOLT D
11	109229X		LOCK CRT
12	73930600		LOCKNUT
13	19131611		WASHER CRT
14	109228X		LEVER LOCK CRT
15	150256X428		SUB= 150256X431
16	10040400		LOCKWASHER
17	73220400		SUB= 50675
18	73731000		NUT
19	159231		CABLE.CLUTCH
20	9484R		CONDIUT CLIP T
21	86777		SUB= 750097
22	102604X		GRIP BAR CRT
23	102744X		SUB= 102744X431
24	159228		BAR ASM CONTROL
25	164743		CONTROL.THROTTLE
26	72140404		BOLT
27	9266R		SUB= 624A78
28	73510400		NUT
31	150696		BOLT PIVOT

TILLER - MODEL NO. YPRTT6B

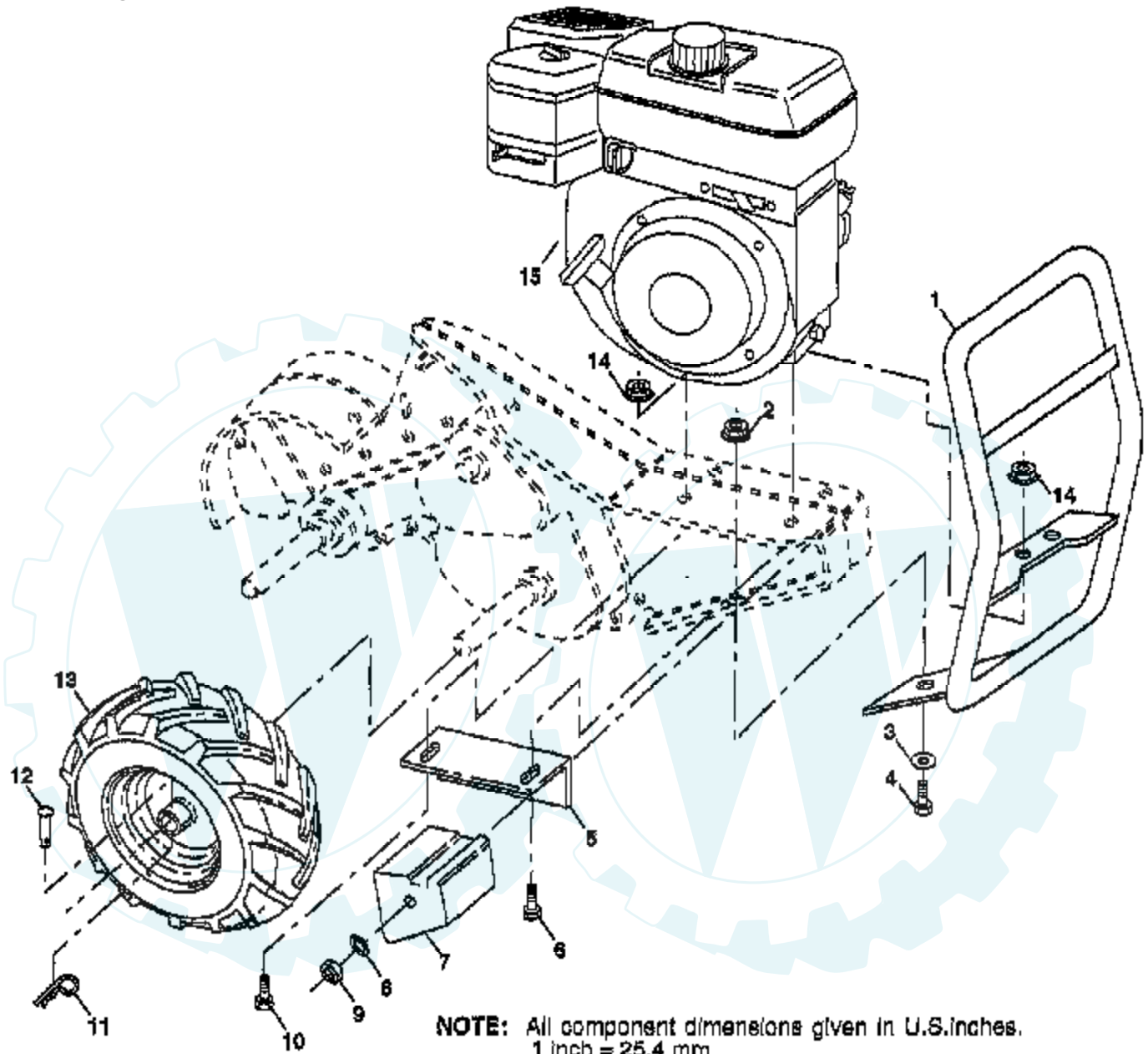
MAINFRAME, LEFT SIDE



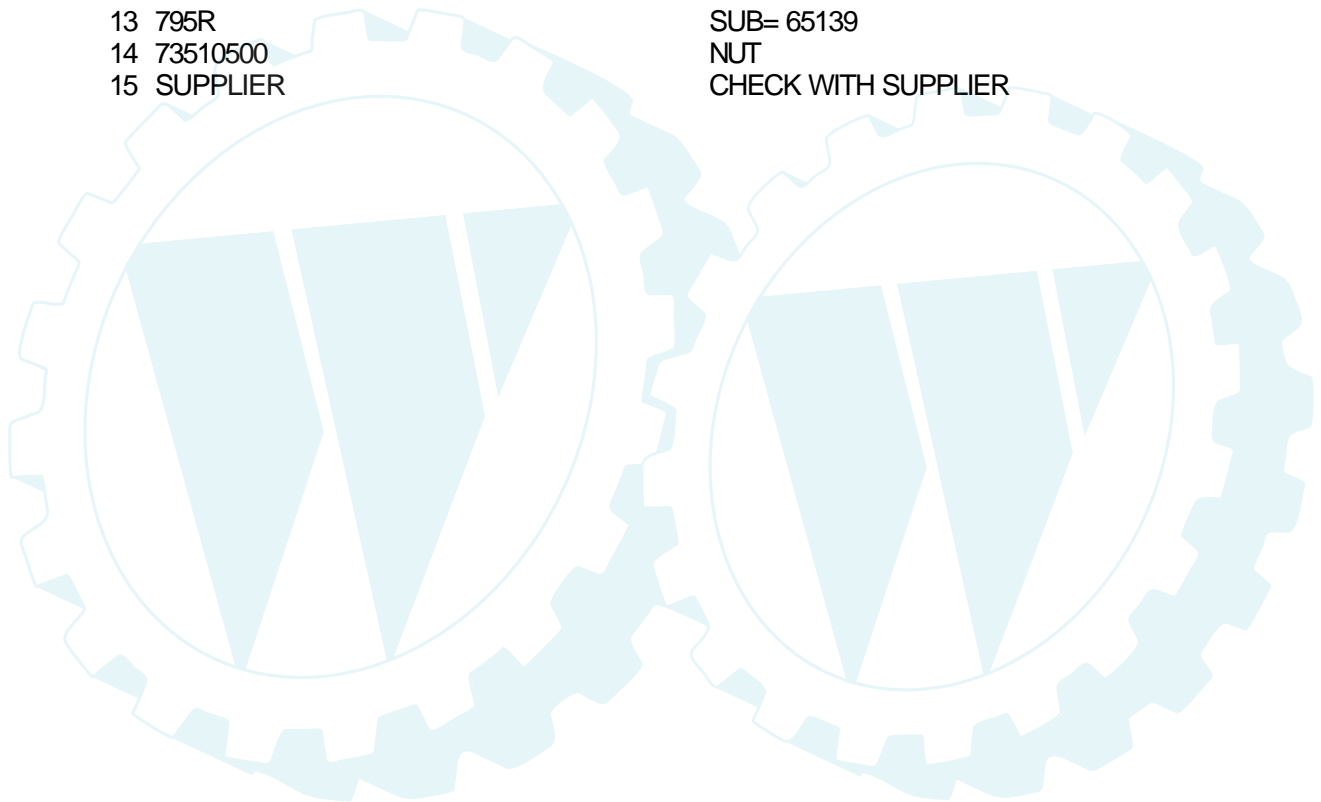
Ref #	Part Number	Qty	Description
1	73510500		NUT
2	10040600		LOCKWASHER
3	73220600		NUT.HEX.3/8-16UNC
4	165710		SHIELD.INNER.BELT
5	154734		"SCREW-LEVER,SHI"
6	110111X		LEVER ASM CRT
7	72110404		BOLT
8	8700J		PANEL TI
9	86777		SUB= 750097
10	9484R		CONDIUT CLIP T
11	10040400		LOCKWASHER
12	73220400		SUB= 50675
13	23230506		SET SCREW
14	156117		SPACER-SPLIT
15	19111116		WASHER
16	145102		SHEAVE.TRANS.
19	12000028		SUB= 2267J
20	165504		NUT J CLIP #8
21	110652X		SPACER CRT
22	74770508		BOLT.FIN.HX.5/16-24X1/2
23	5015J		TIRE TI
23	128952		RIM
23	795R		SUB= 65139
24	126875X		RIVET.DRILL.1.75
25	4497H		RETAINER M
26	165501X428		GUARD.BELT
27	132801		BELT-V
28	104679X		PULLEY-IDLER TI
29	12000032		KLIP RING
30	159229		BRACKET ASM IDLER
31	102384X		BOLT CRT
32	102141X		SHIFT ARM CRT
33	74760616		BOLT
34	102383X		COUNTERWEIGHT CRT
35	74760532		BOLT
36	102331X		BRACKET LH CRT
37	130812		ENGINE PULLEY
38	74760544		SUB= 74780544
39	140062		CAP PLUNGER BLACK
40	165503		SCREW HX WSH.HD#8-18X1/2
43	69180		LOCKNUT
44	73800500		NUT

TILLER - MODEL NO. YPRTT6B

MAINFRAME, RIGHT SIDE

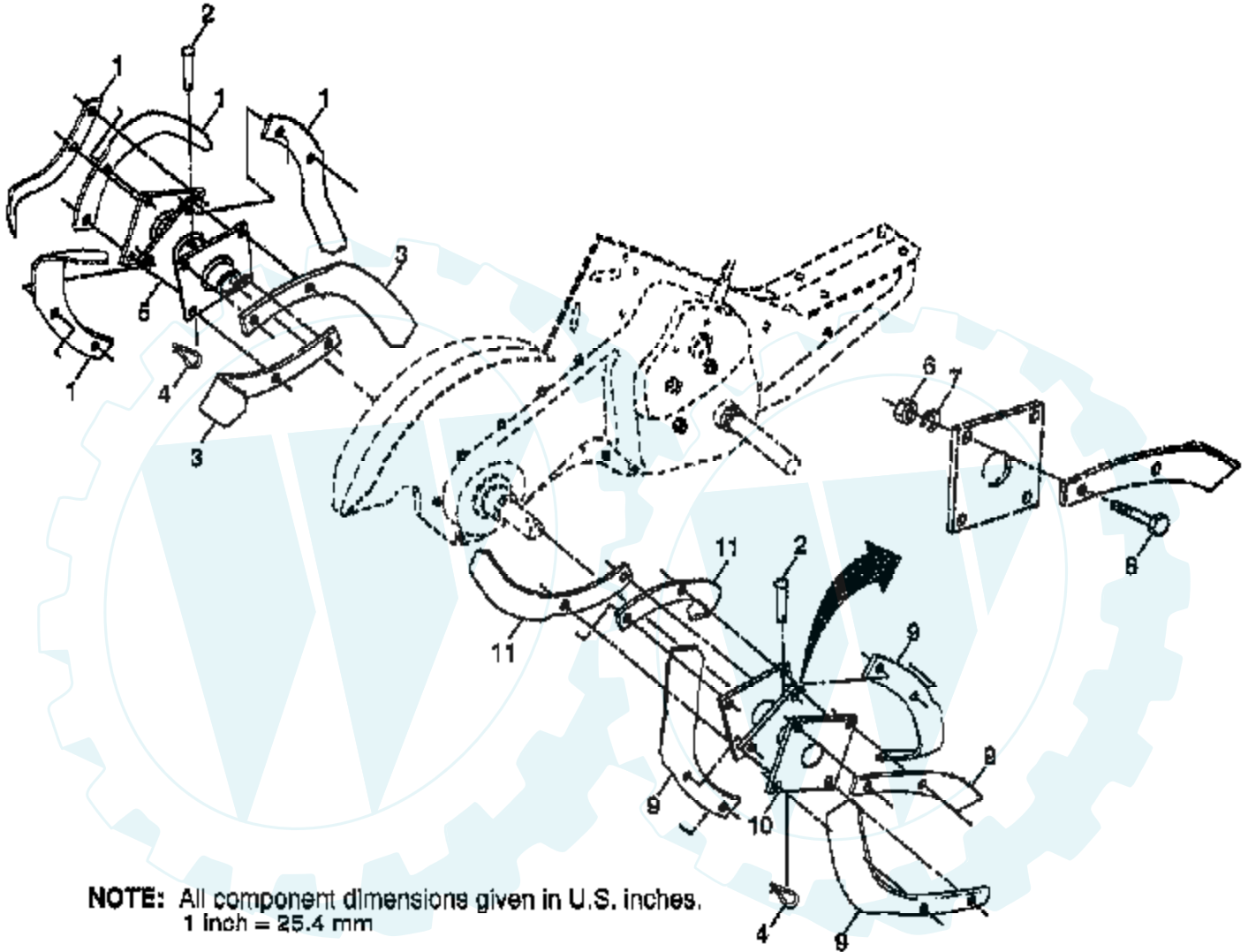


Ref #	Part Number	Qty	Description
1	166532		BUMPER ASM.TILLER
2	73970500		LOCKNUT TI
3	19111116		WASHER
4	74760512		BOLT
5	102332X		BRACKET RH CRT
6	74760532		BOLT
7	102173X		COUNTERWEIGHT CRT
8	10040600		LOCKWASHER
9	73220600		NUT.HEX.3/8-16UNC
10	74760524		BOLT.HEX.5/16-1.5
11	4497H		RETAINER M
12	126875X		RIVET.DRILL.1.75
13	5015J		TIRE TI
13	128952		RIM
13	795R		SUB= 65139
14	73510500		NUT
15	SUPPLIER		CHECK WITH SUPPLIER



TILLER - MODEL NO. YPRTT6B

TINE ASSEMBLY

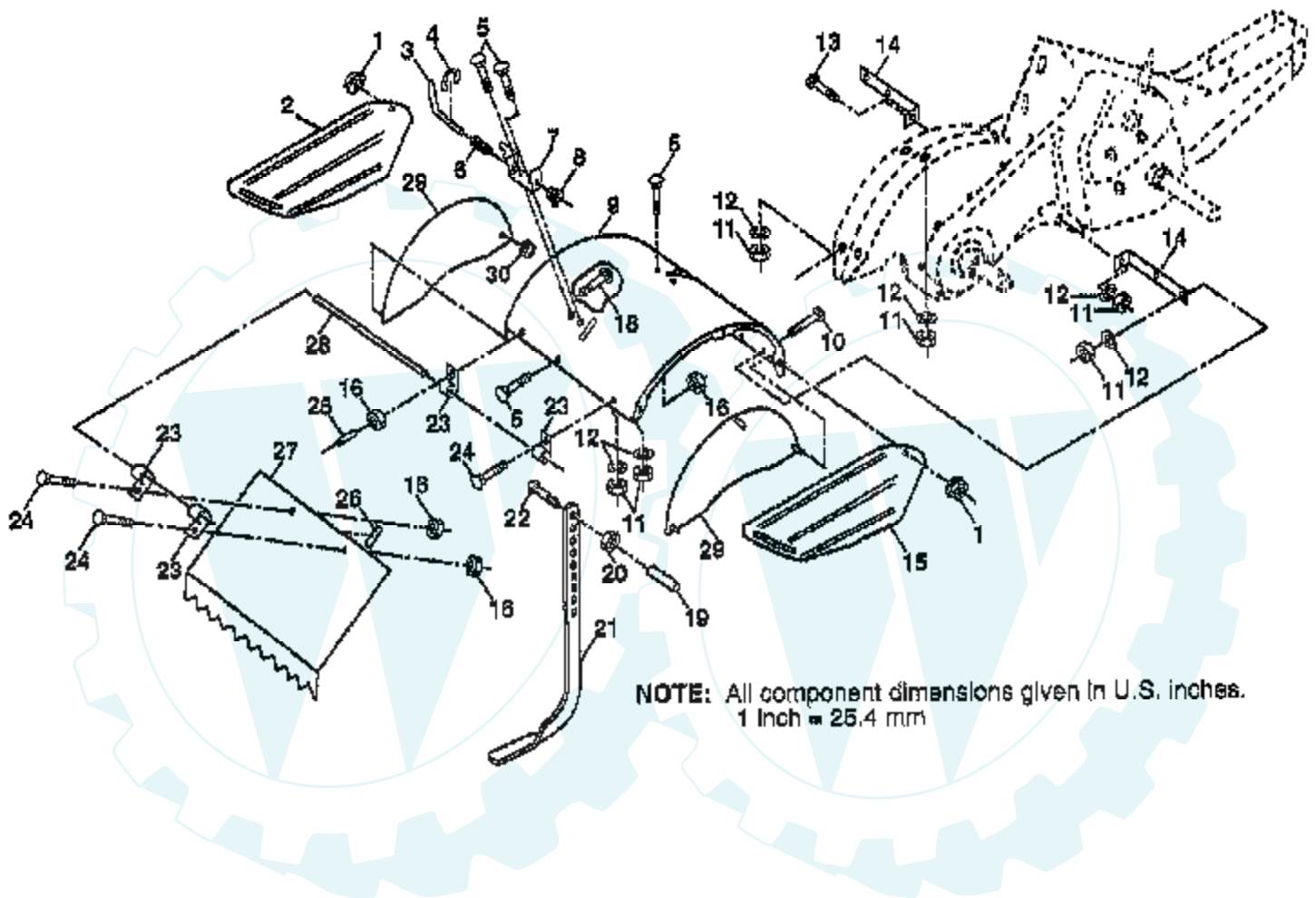


Ref #	Part Number	Qty	Description
1	4459J		SUB= 6554J
2	132673		PIN.CLEVIS.SHEAR
3	6554J		"TINE.LH.12""
4	3146R		RETAINER.SPRING
5	132727		HUB&PLATE ASM LH
6	73610600		SUB= 7810H
7	10040600		LOCKWASHER
8	74610616		BOLT
9	4460J		SUB= 6555J
10	132728		HUB&PLATE ASM RH
11	6555J		"TINE.RH.12""

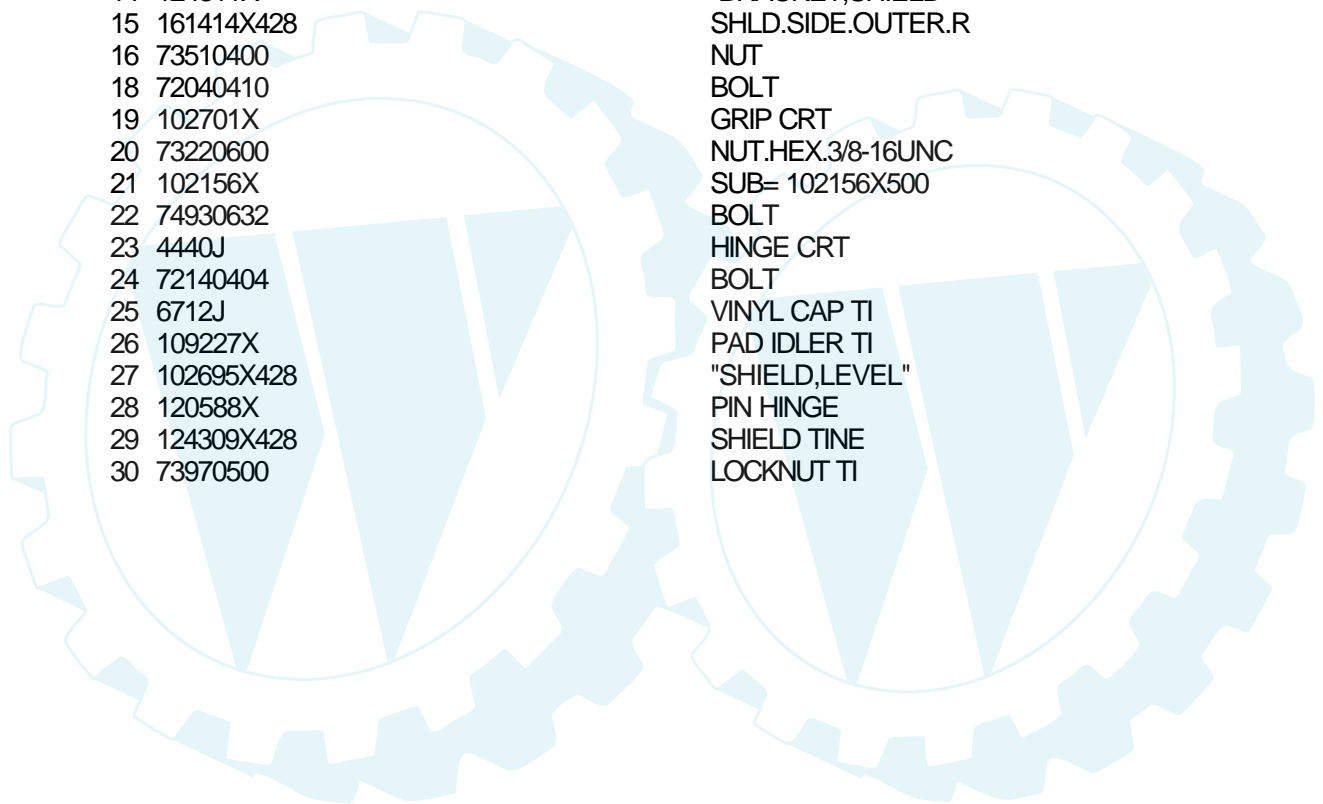


TILLER - MODEL NO. YPRTT6B

TINE SHIELD

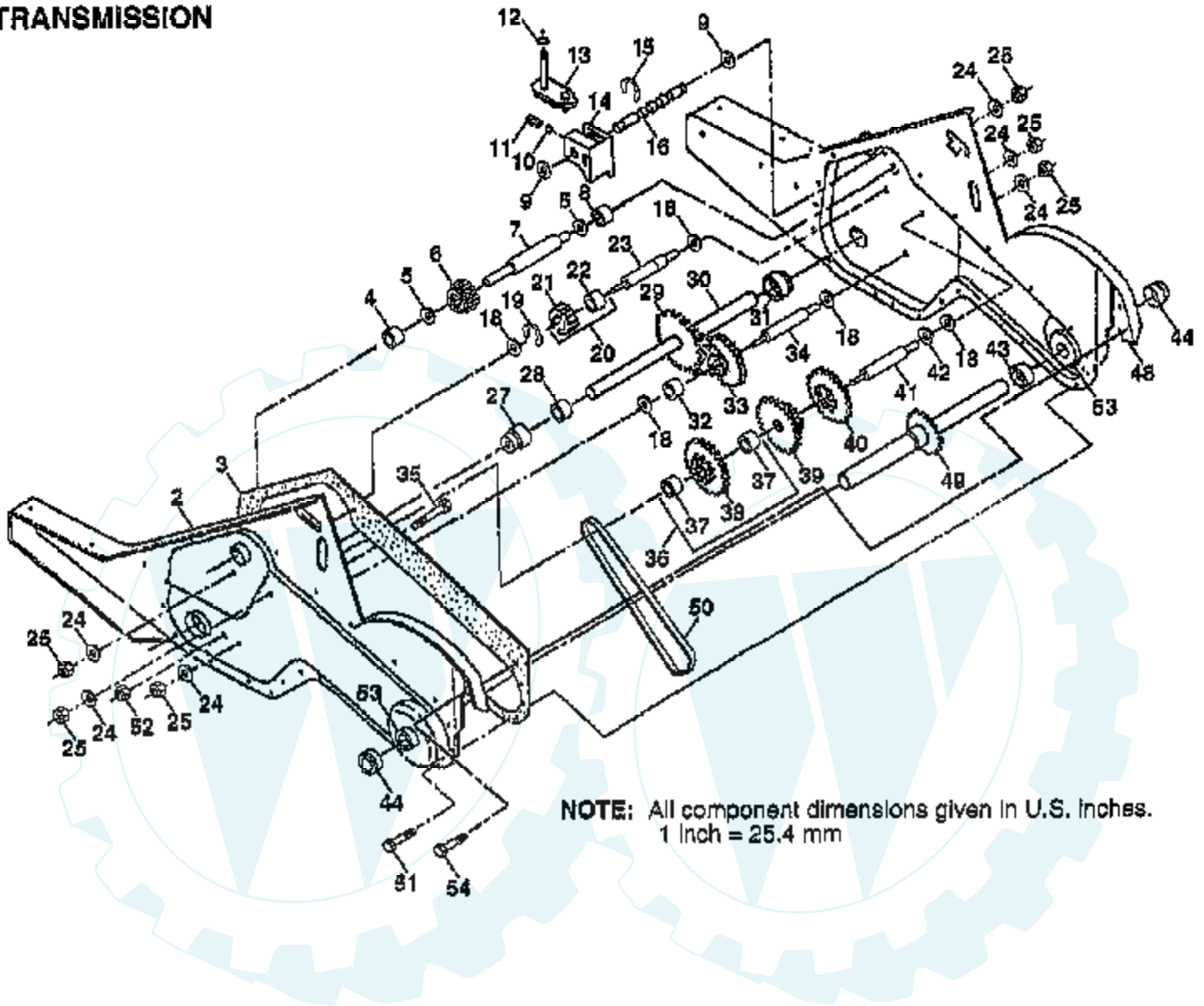


Ref #	Part Number	Qty	Description
1	98000129		NUT
2	161415X428		SHLD.SIDE.OUTER.L
3	8393J		STAKE PIN TI
4	12000036		KLIP RING TI
5	72140506		BOLT
6	8394J		SPRING TI
7	8392J		LATCH BRACKET TI
8	109230X		SPRING CRT
9	124289X428		SHIELD TINE
10	72140508		BOLT
11	73220500		NUT.HEX.5/16-18
12	10040500		LOCKWASHER
13	72110510		BOLT
14	124311X		"BRACKET,SHIELD"
15	161414X428		SHLD.SIDE.OUTER.R
16	73510400		NUT
18	72040410		BOLT
19	102701X		GRIP CRT
20	73220600		NUT.HEX.3/8-16UNC
21	102156X		SUB= 102156X500
22	74930632		BOLT
23	4440J		HINGE CRT
24	72140404		BOLT
25	6712J		VINYL CAP TI
26	109227X		PAD IDLER TI
27	102695X428		"SHIELD,LEVEL"
28	120588X		PIN HINGE
29	124309X428		SHIELD TINE
30	73970500		LOCKNUT TI



TILLER - MODEL NO. YPRTT6B

TRANSMISSION



Ref #	Part Number	Qty	Description
1	165728		SUB= 166656
2	165729		GEARCASE LH W/BEARING
3	161963		GASKET.GEARCASE
4	5020J		NEEDLE BRNG LT
5	1370H		"T, BEARING"
6	137335		GEAR PINION INPUT
7	145101		"SHAFT.INPUT."D""
8	4895H		"TI, BEARING"
9	154467		WASHER SEAL
10	7392M		SUB= 100482K
11	100371K		SPRING-SHIFT CRT
12	106160X		O-RING TI
13	142145		BRACKET ASM SHIFT
14	8353J		SHIFT FORK TI
15	12000039		KLIP RING
16	154466		SHAFT.SHIFTER
18	4358J		WASHER
19	12000040		KLIP RING
20	102114X		GEAR ASSY CRT
21	102115X		GEAR-REV IDLR CRT
22	6803J		NEEDLE BEARING TI
23	102111X		SHAFT CRT
24	10040700		LOCKWASHER
25	73610700		NUT.ASF.HEX.7/16
27	143009		BEARING.SHAFT.LH.
28	106390X		BUSHING TI
29	102134X		CHAIN CRT
30	150737		GROUND SHAFT ASSY
31	143008		BEARING.SHAFT.RH.
32	106388X		SPACER TI
33	102121X		SPRCKT 8 GEAR CRT
34	102112X		SHFT 2ND RED. CRT
35	102101X		SCRW WHIZ LOK CRT
36	154355		SPROCKET.ASM.W/BR
37	4422J		BEARING
38	154356		SUB= 154355
39	105345X		GEAR TI
40	105346X		GEAR TI
41	8358J		REDUCTION SHFT TI
42	4220R		BRNG RACE
43	106146X		SPACER TI
44	155236		SEAL ASM-OIL
48	165732		GEARCASE RH W/BEARING
49	132688		TINE SHAFT
50	106147X		CHAIN.50 LINK TI
51	17720408		SCREW
52	73220500		NUT.HEX.5/16-18
53	165140		KIT.BEARING
54	17720412		SCREW 1/4-20X3/4
	6066J		GREASE PREMIUM-1