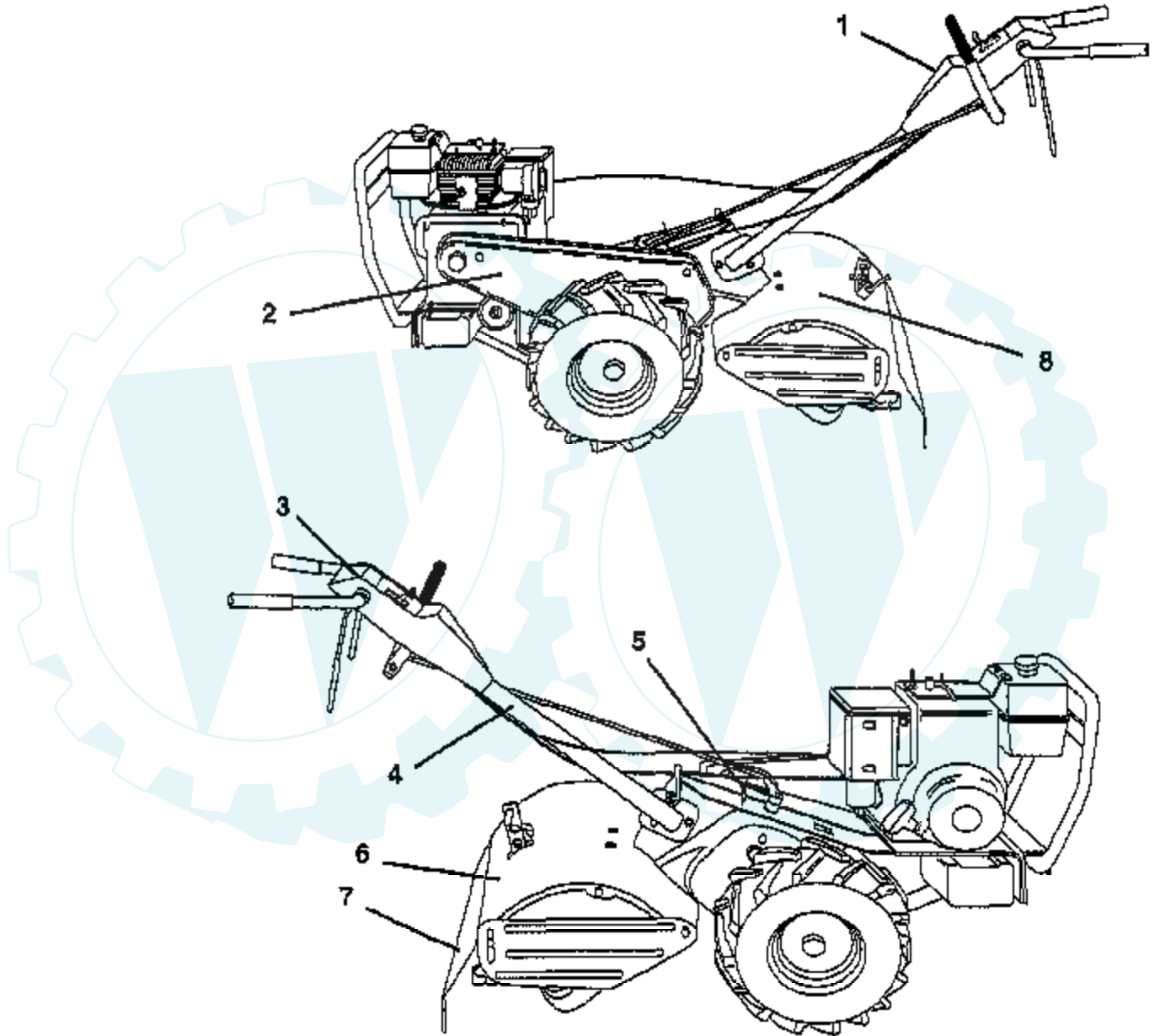


TILLER -- MODEL NO. YPQRT9A

DECALS

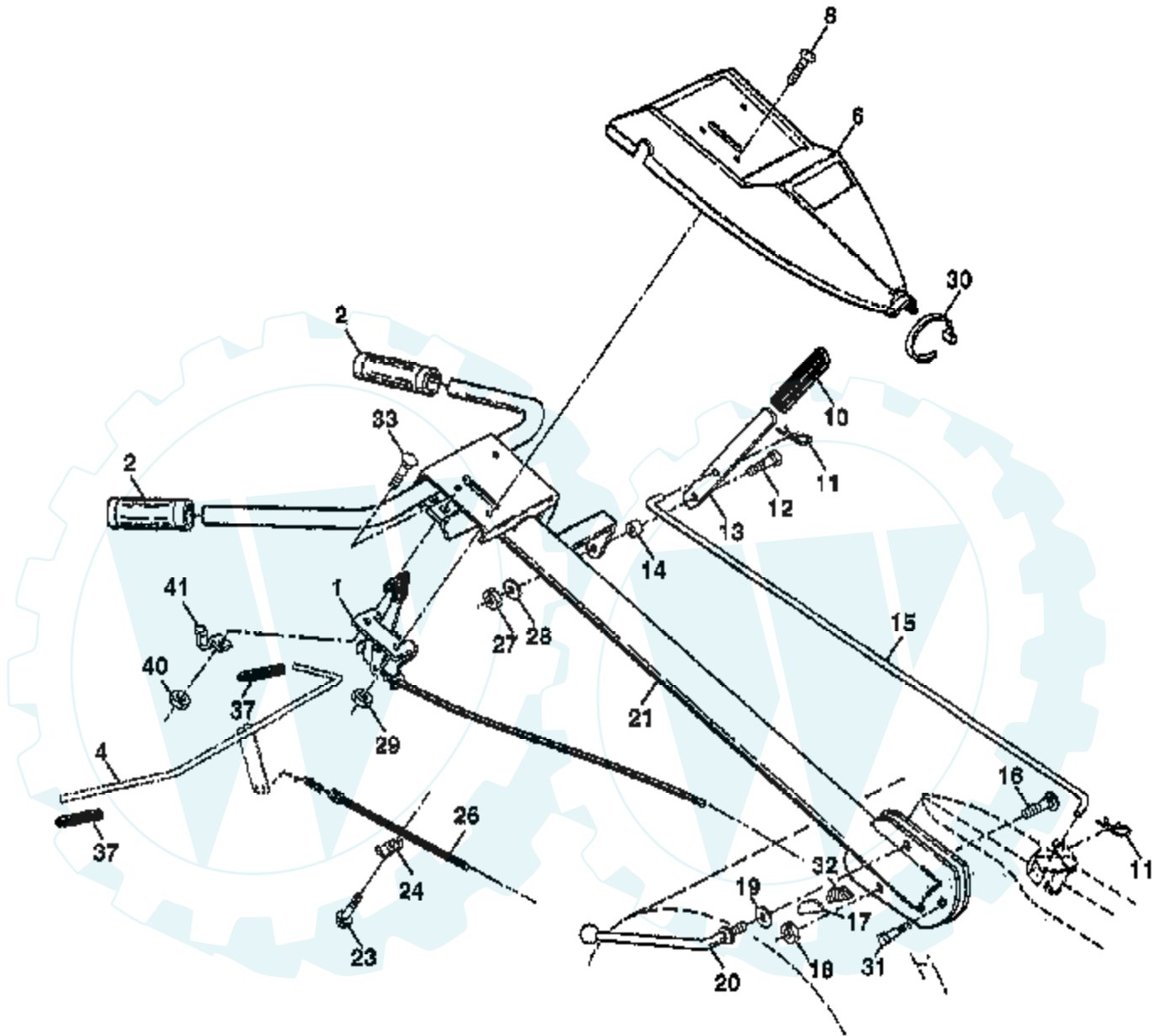


Ref #	Part Number	Qty	Description
1	156687		DECAL PANEL CNTRL
2	156685		DECAL GUARD BELT
3	139385		DECAL INST PNL 21
4	110614X		DECAL TI
5	138546		DECAL.SHIFT.IND.
6	162384		DECAL.CAUTION
7	120076X		SUB= 120075X
8	156686		DECAL SHIELD TINE
	169758		MANUAL, OWNER'S (ENGLISH)
	169759		MANUAL, OWNER'S (FRENCH)



TILLER--MODEL NUMBER YPQRT9A

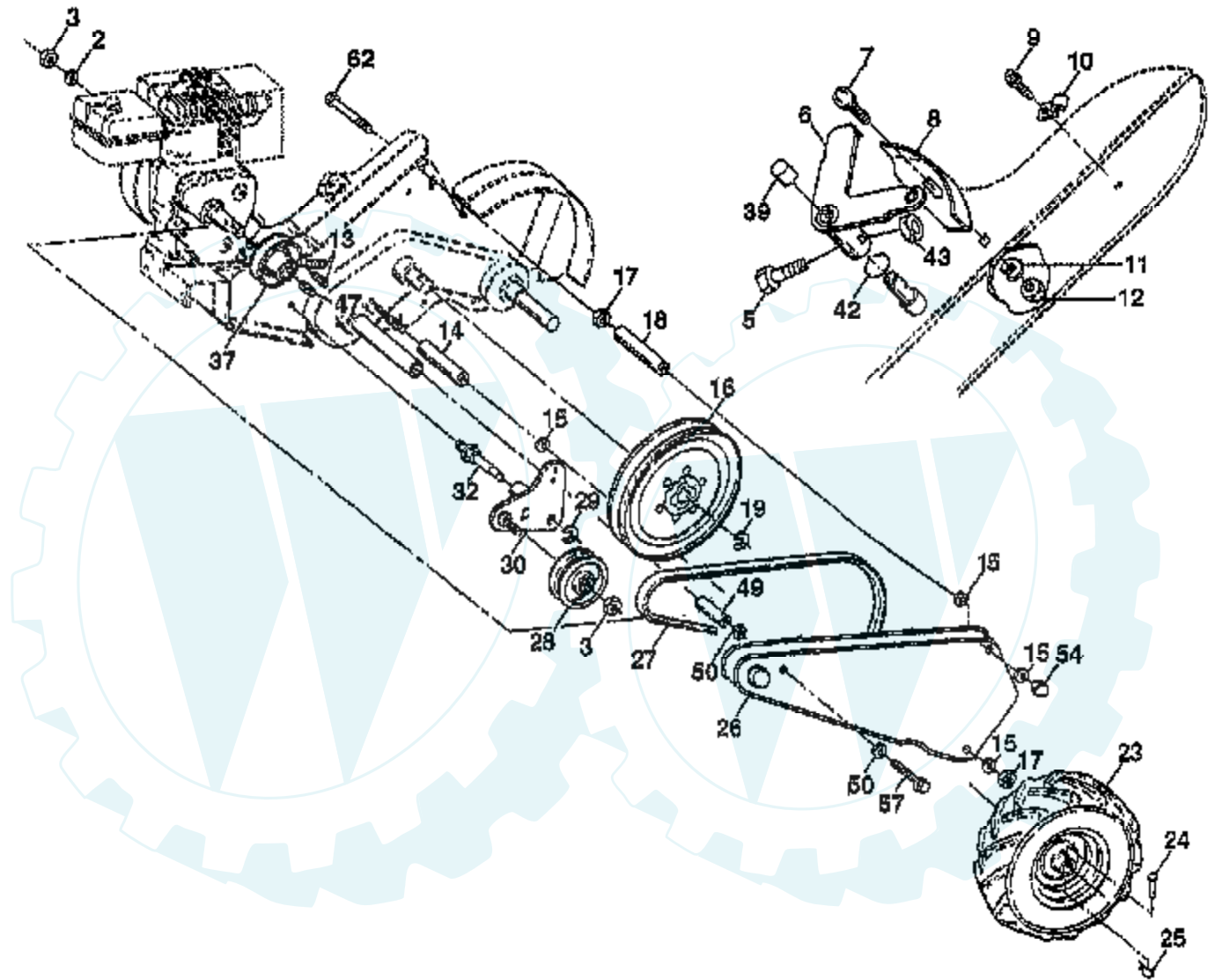
HANDLE ASSEMBLY



Ref #	Part Number	Qty	Description
1	138305		CONTROL.THROTTLE
2	9266R		SUB= 624A78
4	159228		BAR ASM CONTROL
6	126951X		"PANEL,CONT TI"
8	71191008		SCREW.PNHD.10-24
10	8206H		GRIP T
11	4497H		RETAINER M
12	81328		SHOULDER BOLT ST
13	109335X		SHIFT HANDLE CRT
14	109313X		GROMMET CRT
15	138400		ROD.SHIFT
16	72110608		BOLT D
17	109229X		LOCK CRT
18	73930600		LOCKNUT
19	19131611		WASHER CRT
20	109228X		LEVER LOCK CRT
21	150256X428		SUB= 150256X431
23	86777		SUB= 750097
24	9484R		CONDIUT CLIP T
26	159607		CABLE.CLUTCH
27	73220400		SUB= 50675
28	10040400		LOCKWASHER
29	73731000		NUT
30	104164X		TIE CABLE CRT
31	150696		BOLT PIVOT
32	138283		LOCK.HANDLE
33	72140404		BOLT
37	102604X		GRIP BAR CRT
40	73510400		NUT
41	102744X		SUB= 102744X431

TILLER -- MODEL NO. YPQRT9A

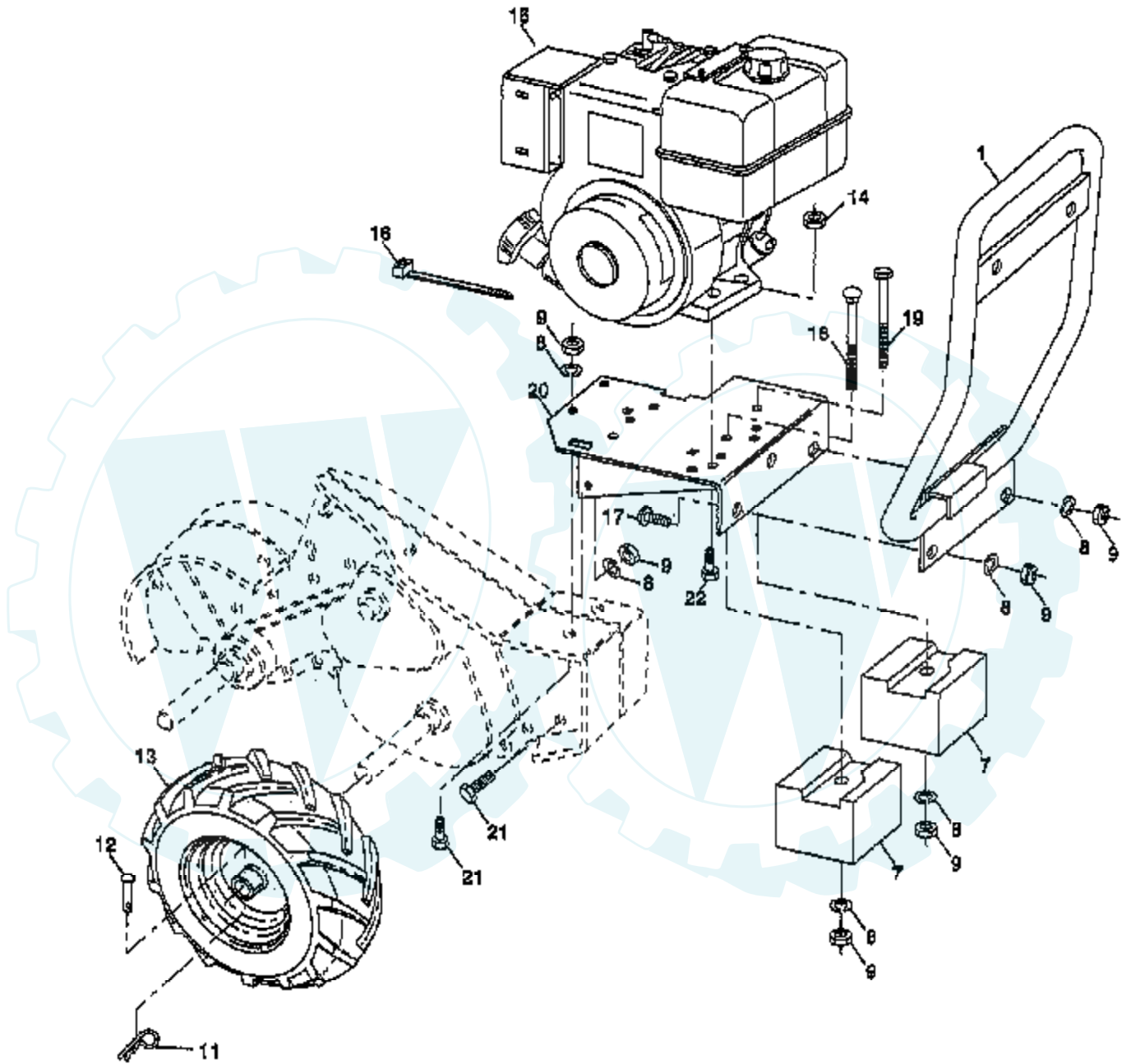
MAINFRAME, LEFT SIDE



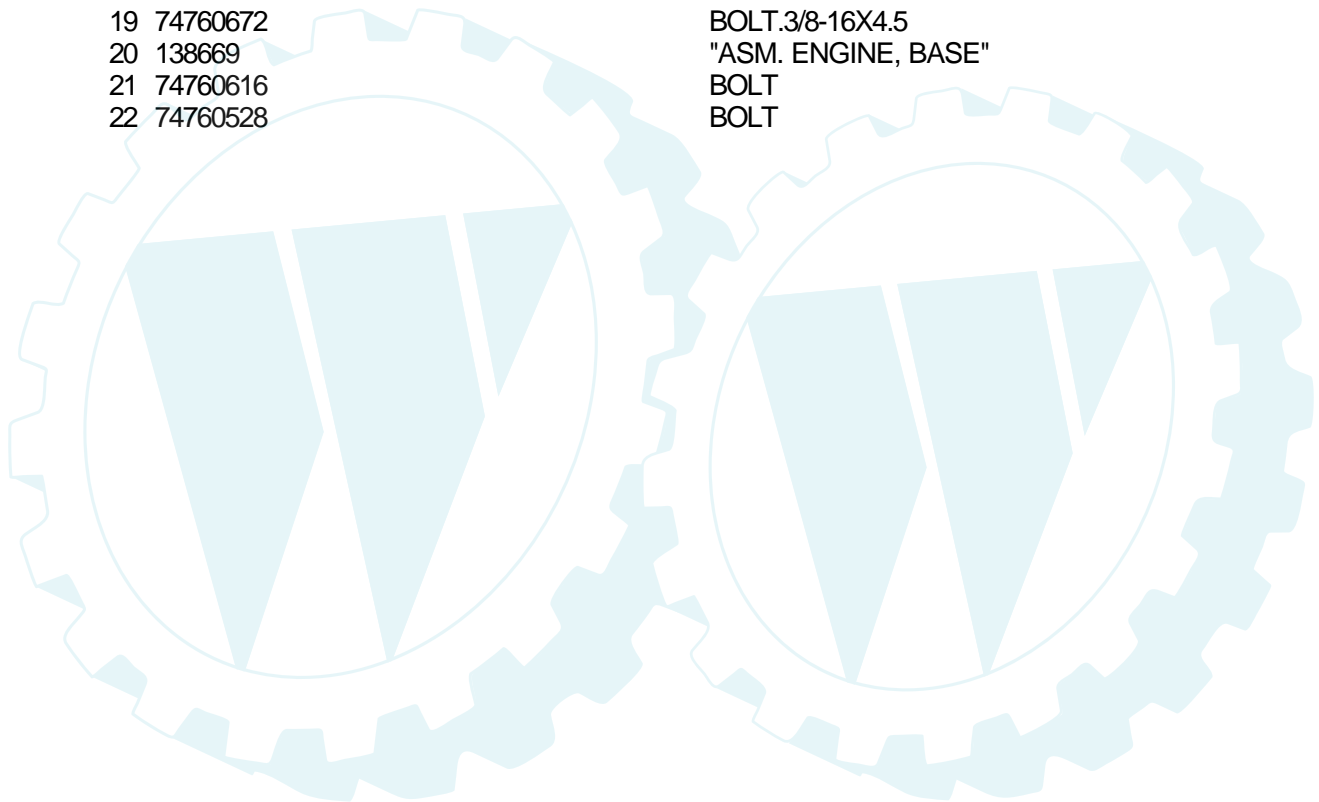
Ref #	Part Number	Qty	Description
2	10040600		LOCKWASHER
3	73220600		NUT.HEX.3/8-16UNC
5	154734		"SCREW-LEVER,SHI"
6	110111X		LEVER ASM CRT
7	72110404		BOLT
8	8700J		PANEL TI
9	86777		SUB= 750097
10	9484R		CONDIUT CLIP T
11	10040400		LOCKWASHER
12	73220400		SUB= 50675
13	23230506		SET SCREW
14	8382J		SPACER TI
15	19111116		WASHER
16	145102		SHEAVE.TRANS.
17	73220500		NUT.HEX.5/16-18
18	8381J		SPACER TI
19	12000028		SUB= 2267J
23	5015J		TIRE TI
23	138417		RIM.16X4X8.WHT
23	795R		SUB= 65139
24	4929H		RIVET.PAN HD.1.75
25	4921H		SPRING.RETAINER
26	102818X428		GUARD BELT
27	138399		BELT.DRIVE
28	104679X		PULLEY-IDLER TI
29	12000032		KLIP RING
30	159229		BRACKET ASM IDLER
32	139401		SHAFT.IDLER
37	4368J		SHEAVE CRT
39	140062		CAP PLUNGER BLACK
42	106160X		O-RING TI
43	69180		LOCKNUT
47	4914H		KEY TI
49	157486		SPACER SPLIT
50	19171616		WASHER
54	104214X		NUT TI
57	74770844		BOLT1/2-20UNF2.75
62	74930572		BOLT TI

TILLER -- MODEL NO. YPQRT9A

MAINFRAME, RIGHT SIDE

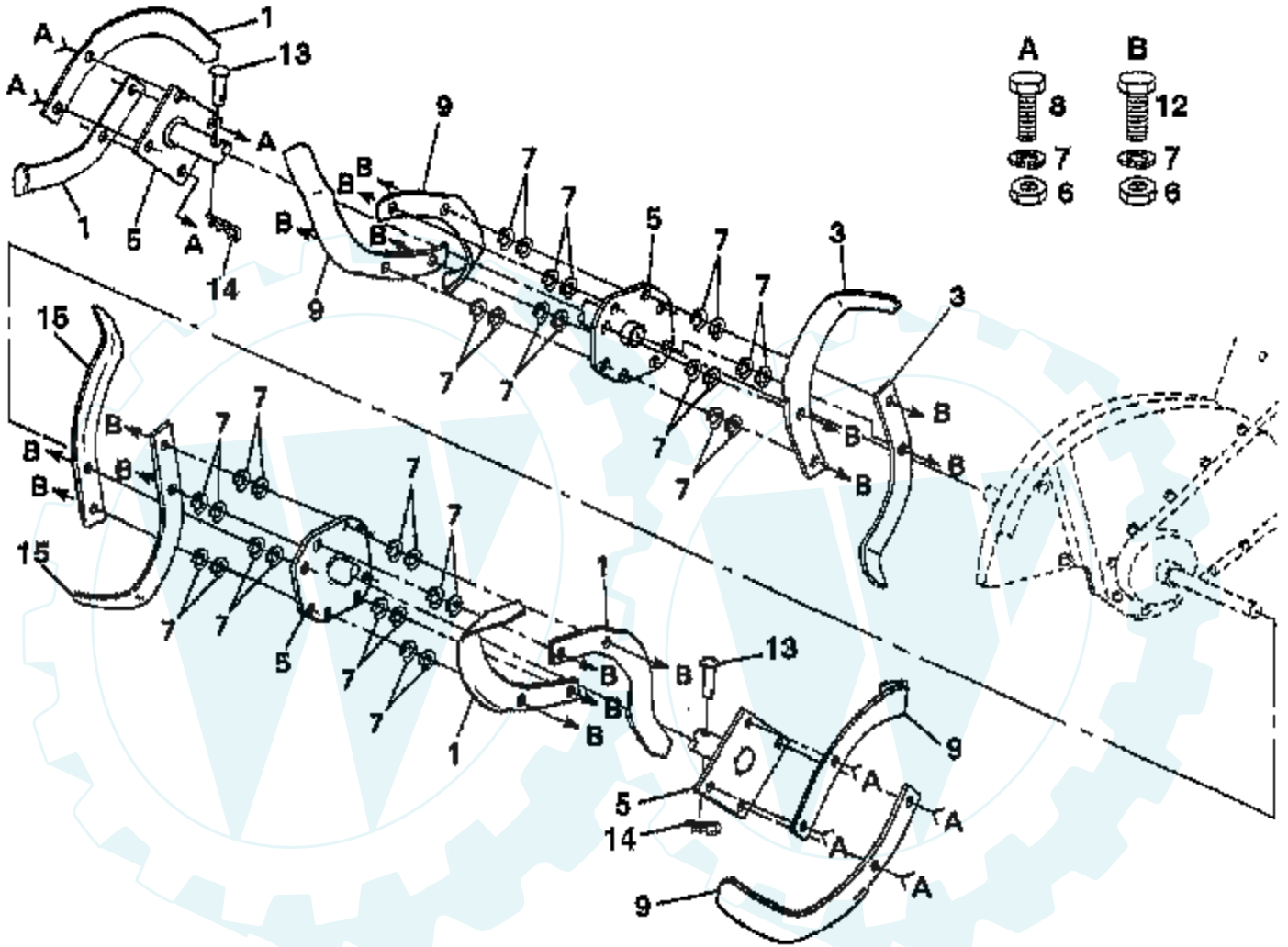


Ref #	Part Number	Qty	Description
1	138402		BUMPER.ASM
7	8450J		COUNTERWEIGHT CRT
8	10040600		LOCKWASHER
9	73220600		NUT.HEX.3/8-16UNC
11	4921H		SPRING.RETAINER
12	4929H		RIVET.PAN HD.1.75
13	5015J		TIRE TI
13	138417		RIM.16X4X8.WHT
13	795R		SUB= 65139
14	73510500		NUT
15	SUPPLIER		CHECK WITH SUPPLIER
16	7192J		WIRE TIE
17	72140608		SUB= 72110608
18	72470636		BOLT CRT
19	74760672		BOLT.3/8-16X4.5
20	138669		"ASM. ENGINE, BASE"
21	74760616		BOLT
22	74760528		BOLT



TILLER -- MODEL NO. YPQRT9A

TINE ASSEMBLY

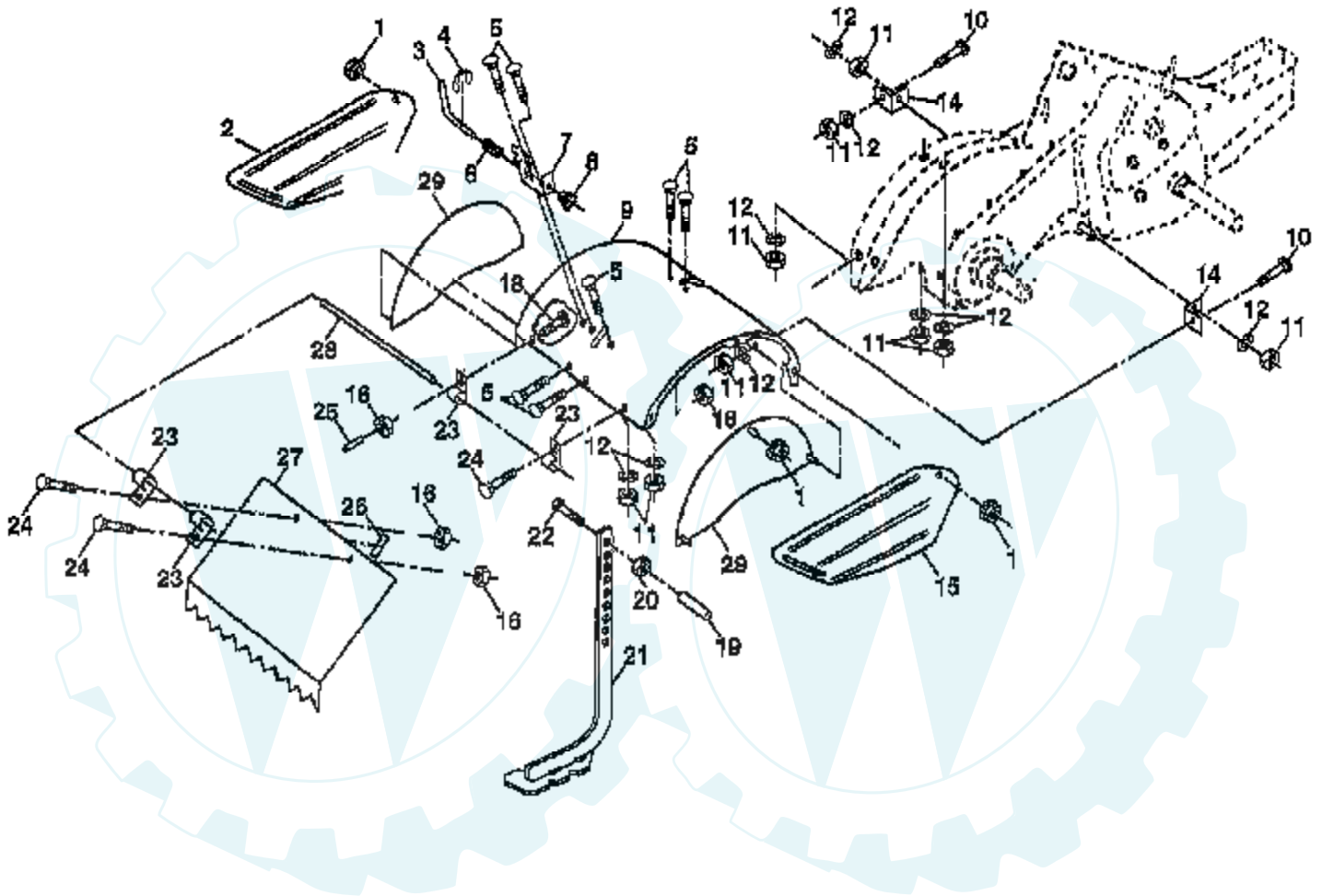


Ref #	Part Number	Qty	Description
1	6556J		SUB= 101194M
3	101194M		TINE.LH.CRT
5	100445L		TINE ASSY CRT
6	73610600		SUB= 7810H
7	10040600		LOCKWASHER
8	74610616		BOLT
9	6557J		SUB= 101193M
12	74610624		BOLT.3/8-24X1-1/2
13	4929H		RIVET.PAN HD.1.75
14	3146R		RETAINER.SPRING
15	101193M		TINE RH CRT



TILLER -- MODEL NO. YPQRT9A

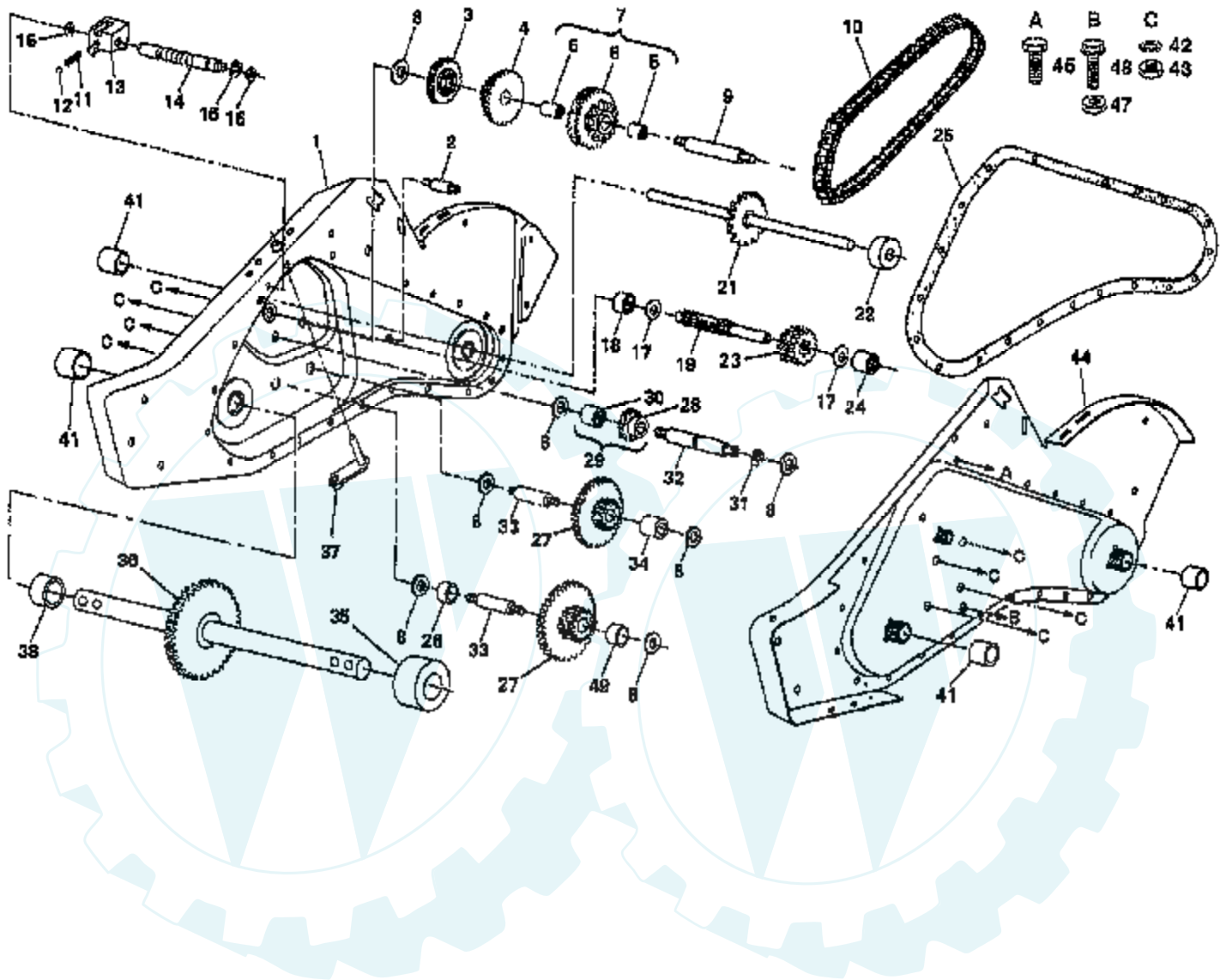
TINE SHIELD



Ref #	Part Number	Qty	Description
1	98000129		NUT
2	161416X428		SHIELD.SIDE.OUTER.LH
3	8393J		STAKE PIN TI
4	12000036		KLIP RING TI
5	72140506		BOLT
6	8394J		SPRING TI
7	8392J		LATCH BRACKET TI
8	109230X		SPRING CRT
9	104178X428		SHIELD TINE
10	72140508		BOLT
11	73220500		NUT.HEX.5/16-18
12	10040500		LOCKWASHER
14	8386J		TINE SHLD BRKT TI
15	161417X428		SHIELD.SIDE.OUTER.RH
16	73220400		SUB= 50675
18	72040410		BOLT
19	102701X		GRIP CRT
20	73220600		NUT.HEX.3/8-16UNC
21	138420		STAKE.ASM.DEPTH
22	74930632		BOLT
23	4440J		HINGE CRT
24	72140408		BOLT.1/4-20X1/2
25	6712J		VINYL CAP TI
26	109227X		PAD IDLER TI
27	102713X428		SHIELD LEVELING
28	138609		PIN.HINGE
29	104084X428		SHIELD TINE

TILLER--MODEL NO. YPQRT9A

TRANSMISSION



Ref #	Part Number	Qty	Description
1	162163		SUB= 162170
2	8370J		BOLT TI
3	8547J		REVERSE GEAR TI
4	8546J		CLUSTER GEAR TI
5	100413K		"CRT, BEARING"
6	674A291		SUB= 674A290
7	674A290		SPROCKET ASSY TI
8	4358J		WASHER
9	8358J		REDUCTION SHFT TI
10	8371J		CHAIN TI
11	100371K		SPRING-SHIFT CRT
12	7392M		SUB= 100482K
13	8353J		SHIFT FORK TI
14	8354J		SHIFT SHAFT TI
15	12000039		KLIP RING
16	154467		WASHER SEAL
17	1370H		"T, BEARING"
18	4895H		"TI, BEARING"
19	150695		SHAFT INPUT
21	105378X		SHAFT TINE CRT
22	106181X		SPACER CRT
23	8359J		INPUT PINION TI
24	5020J		NEEDLE BRNG LT
25	164396		GASKET.GEARCASE
26	106389X		SPACER CRT
27	100433M		GEAR CLUSTER CRT
28	8357J		REVERSE GEAR TI
29	674A289		GEAR ASSY TI
30	6803J		NEEDLE BEARING TI
31	12000040		KLIP RING
32	8356J		REVERSE SHAFT TI
33	100016K		SHAFT CRT
34	106392X		SPACER CRT
35	106394X		SPACER CRT
36	100436L		SHAFT ASSY CRT
37	142145		BRACKET ASM SHIFT
38	106393X		SPACER CRT
41	155236		SEAL ASM-OIL
42	10040700		LOCKWASHER
43	73610700		NUT.ASF.HEX.7/16
44	162165		"GEARCASE ASSY,LH"
45	17720510		SCREW 5/16-18X5/8
47	73220500		NUT.HEX.5/16-18
48	100107K		BOLT TI
49	106391X		SPACER CRT
	6066J		GREASE PREMIUM-1
	162169		SUB= 165806
	162170		KIT.GEARCASE L&RH