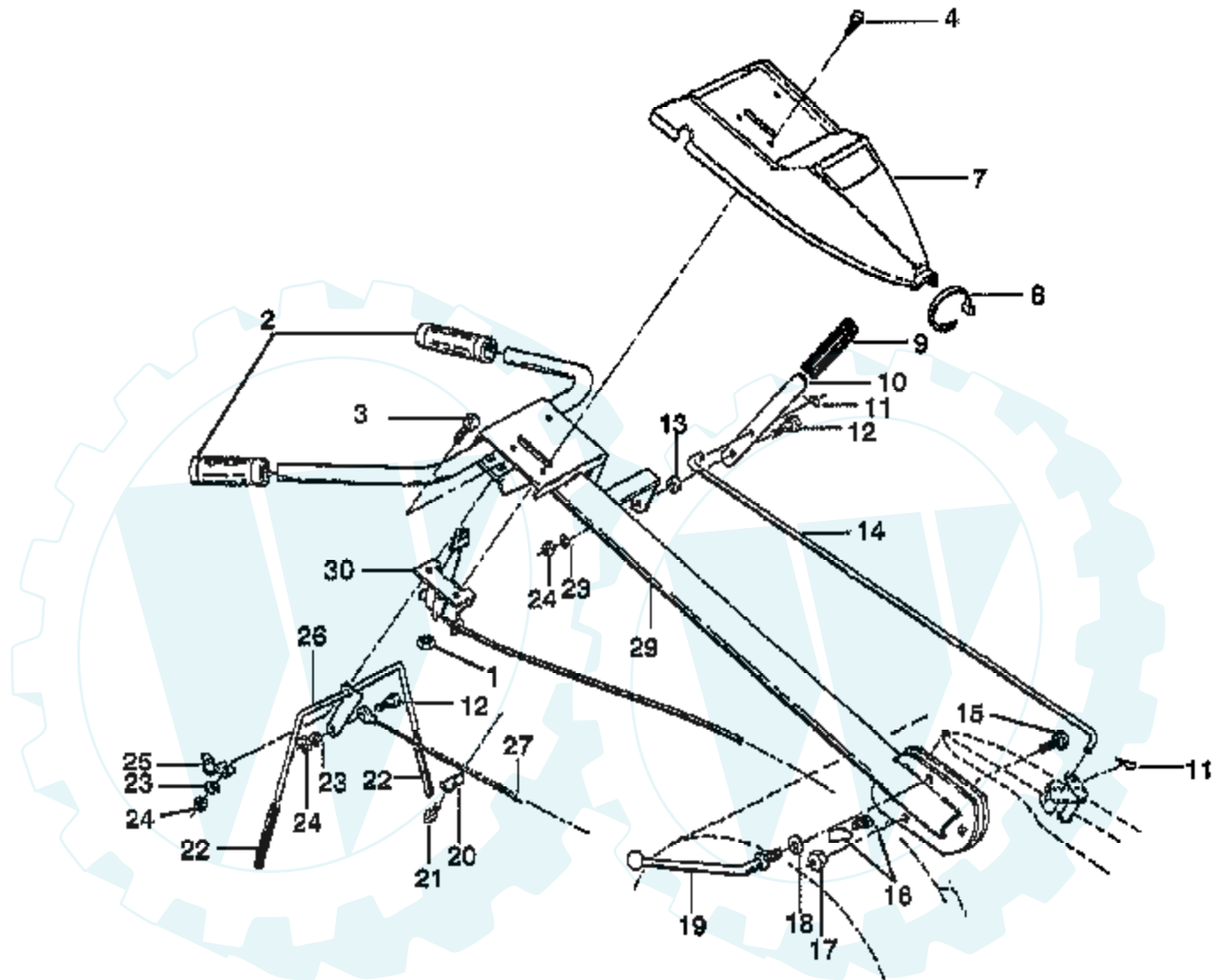


## 5 HP 17" CRT TILLER - - MODEL NUMBER YERT5B

### HANDLE ASSEMBLY

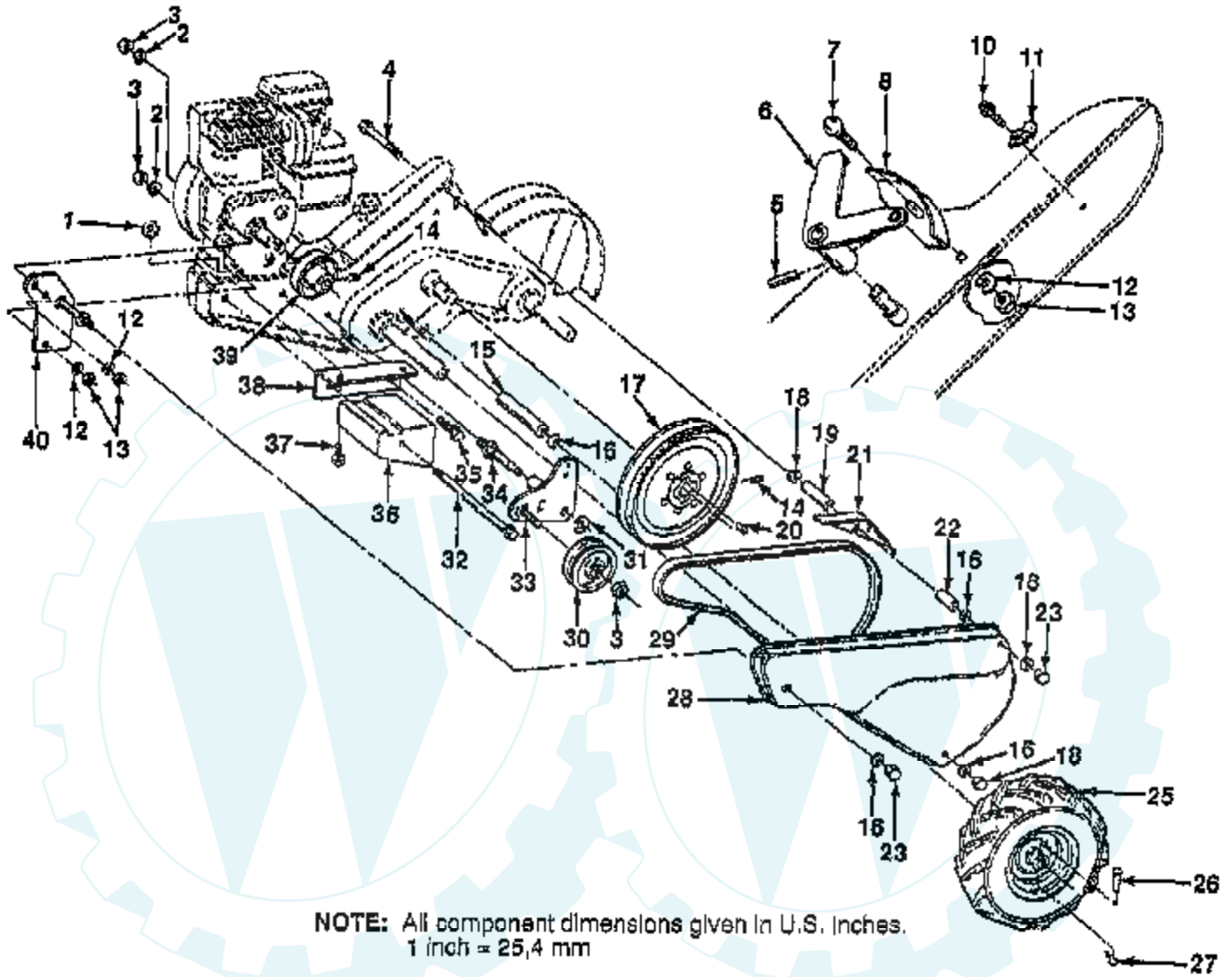


**NOTE:** All component dimensions given in U.S. inches.  
1 inch = 25,4 mm

Ref #	Part Number	Qty	Description
1	73731000		NUT
2	9266R		SUB= 624A78
3	72140404		BOLT
4	71091008		SCREW
7	126951X		"PANEL,CONT TI"
8	104164X		TIE CABLE CRT
9	8206H		GRIP T
10	109335X		SHIFT HANDLE CRT
11	4497H		RETAINER M
12	81328		SHOULDER BOLT ST
13	109313X		GROMMET CRT
14	109337X		SHIFT ROD CRT
15	72110608		BOLT D
16	109229X		LOCK CRT
17	5394H		SUB= 73930600
18	19131611		WASHER CRT
19	109228X		LEVER LOCK CRT
20	9484R		CONDIUT CLIP T
21	86777		SUB= 750097
22	102604X		GRIP BAR CRT
23	10040400		LOCKWASHER
24	73220400		SUB= 50675
25	102744X		SUB= 102744X431
26	105216X		"ASSY CONTROL, BAR"
27	102162X		CABLE.CLUTCH.CRT
29	127013X423		SUB= 155117
30	127012X		"CONT,THROTTLE"
	128696		"MANUAL,OWNERS"
	128697		OWNER'S MANUAL FRENCH
	104322X		NLA
	124172X		NLA
	110614X		DECAL TI

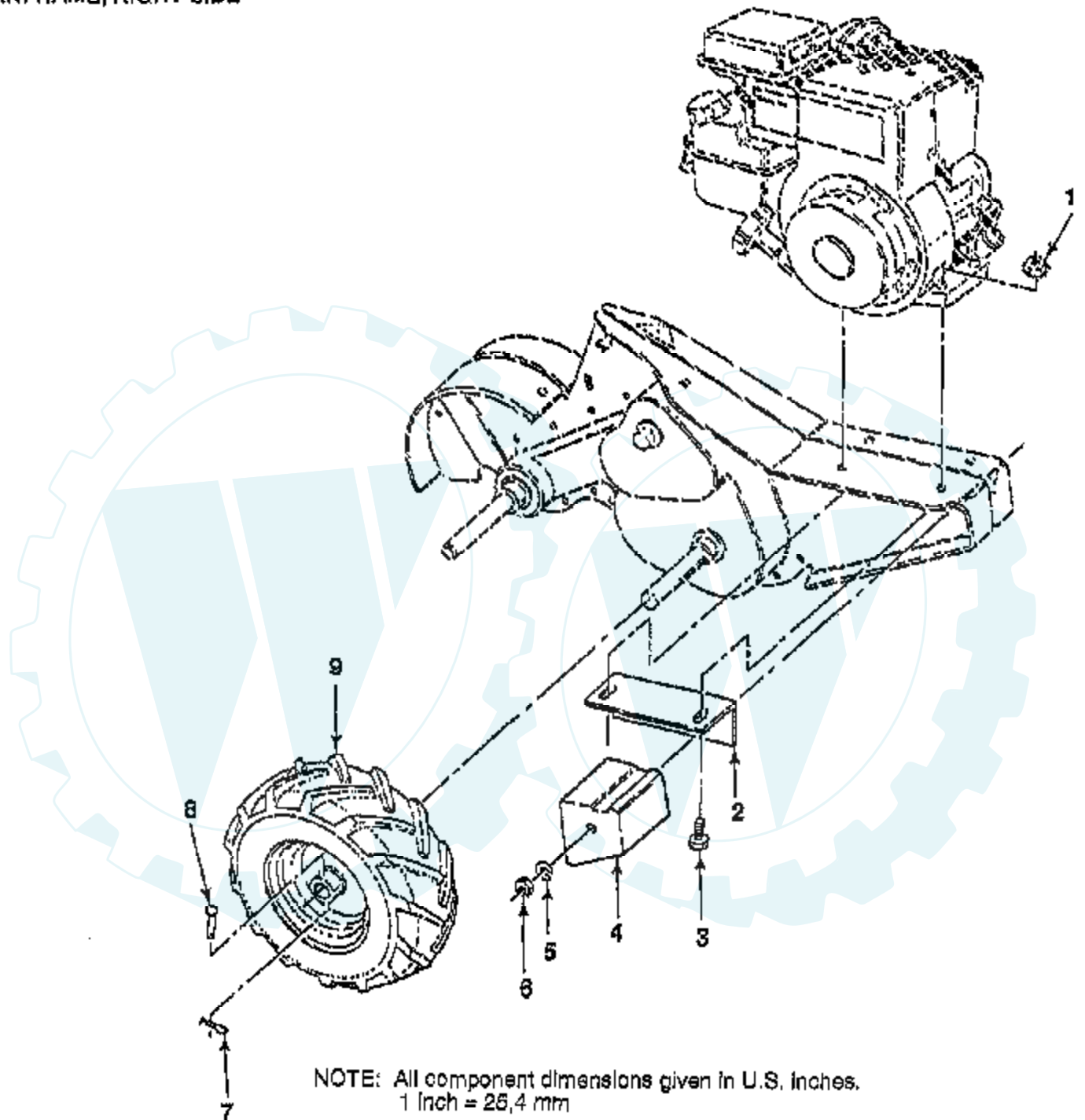
### 5 HP 17" CRT TILLER - - MODEL NUMBER YERT5B

#### MAINFRAME, LEFT SIDE



Ref #	Part Number	Qty	Description
1	73510500		NUT
2	10040600		LOCKWASHER
3	73220600		NUT.HEX.3/8-16UNC
4	74930576		BOLT-HEX TI
5	1572H		SUB= 2882J
6	110111X		LEVER ASM CRT
7	72110404		BOLT
8	8700J		PANEL TI
10	86777		SUB= 750097
11	9484R		CONDIUT CLIP T
12	10040400		LOCKWASHER
13	73220400		SUB= 50675
14	23230506		SET SCREW
15	120938X		SPACER
16	19111116		WASHER
17	100473M		"SHEAVE 10"" CRT"
18	73220500		NUT.HEX.5/16-18
19	110651X		SPACER CRT
20	2649M		KEY T
21	110653X		GUARD CRT
22	110652X		SPACER CRT
23	104214X		NUT TI
25	102190X		TIRE.CHV.13X5.0-6
25	109208X		SUB= 124258X
25	795R		SUB= 65139
26	126875X		RIVET.DRILL.1.75
27	4497H		RETAINER M
28	102148X423		SUB= 131159X505
29	102143X		SUB= 132672
30	104679X		PULLEY-IDLER TI
31	12000032		KLIP RING
32	102384X		BOLT CRT
33	105611X		SUB= 918105611X
34	102141X		SHIFT ARM CRT
35	74760616		BOLT
36	102383X		COUNTERWEIGHT CRT
37	74760524		BOLT.HEX.5/16-1.5
38	102331X		BRACKET LH CRT
39	102142X		SUB= 130816
40	102376X		BRACKET ASSY CRT
	104323X		NLA
	124173X		NLA

**5 HP 17" CRT TILLER - - MODEL NUMBER YERT5B**  
**MAINFRAME, RIGHT SIDE**

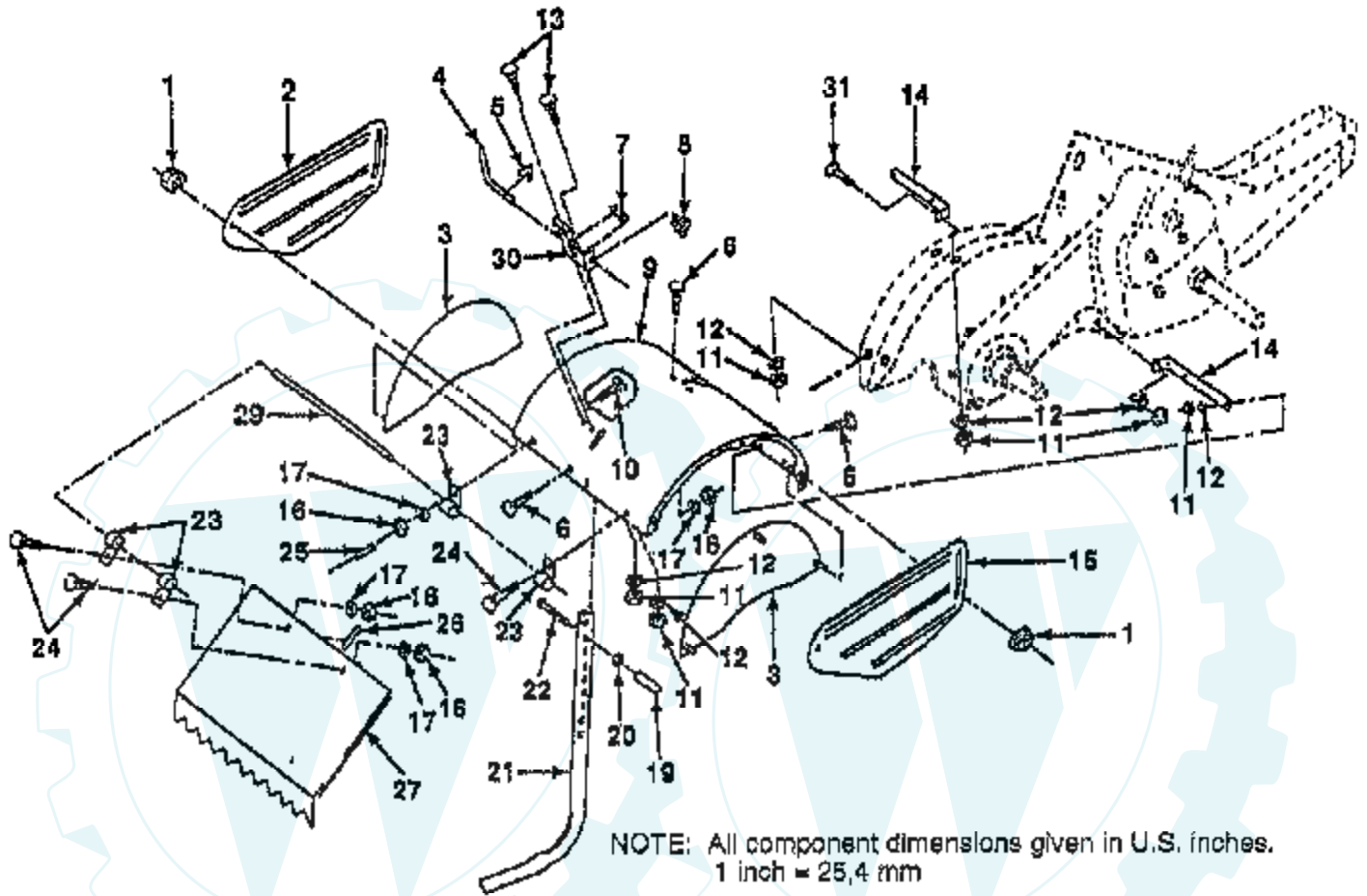


Ref #	Part Number	Qty	Description
1	73510500		NUT
2	102332X		BRACKET RH CRT
3	74760524		BOLT.HEX.5/16-1.5
4	102173X		COUNTERWEIGHT CRT
5	10040600		LOCKWASHER
6	73220600		NUT.HEX.3/8-16UNC
7	4497H		RETAINER M
8	126875X		RIVET.DRILL.1.75
9	102190X		TIRE.CHV.13X5.0-6
9	109208X		SUB= 124258X
9	795R		SUB= 65139
	110719X		NLA
	121543X		SUB= 271948
	110612X		DECAL TI



### 5 HP 17" CRT TILLER - - MODEL NUMBER YERT5B

#### TINE SHIELD

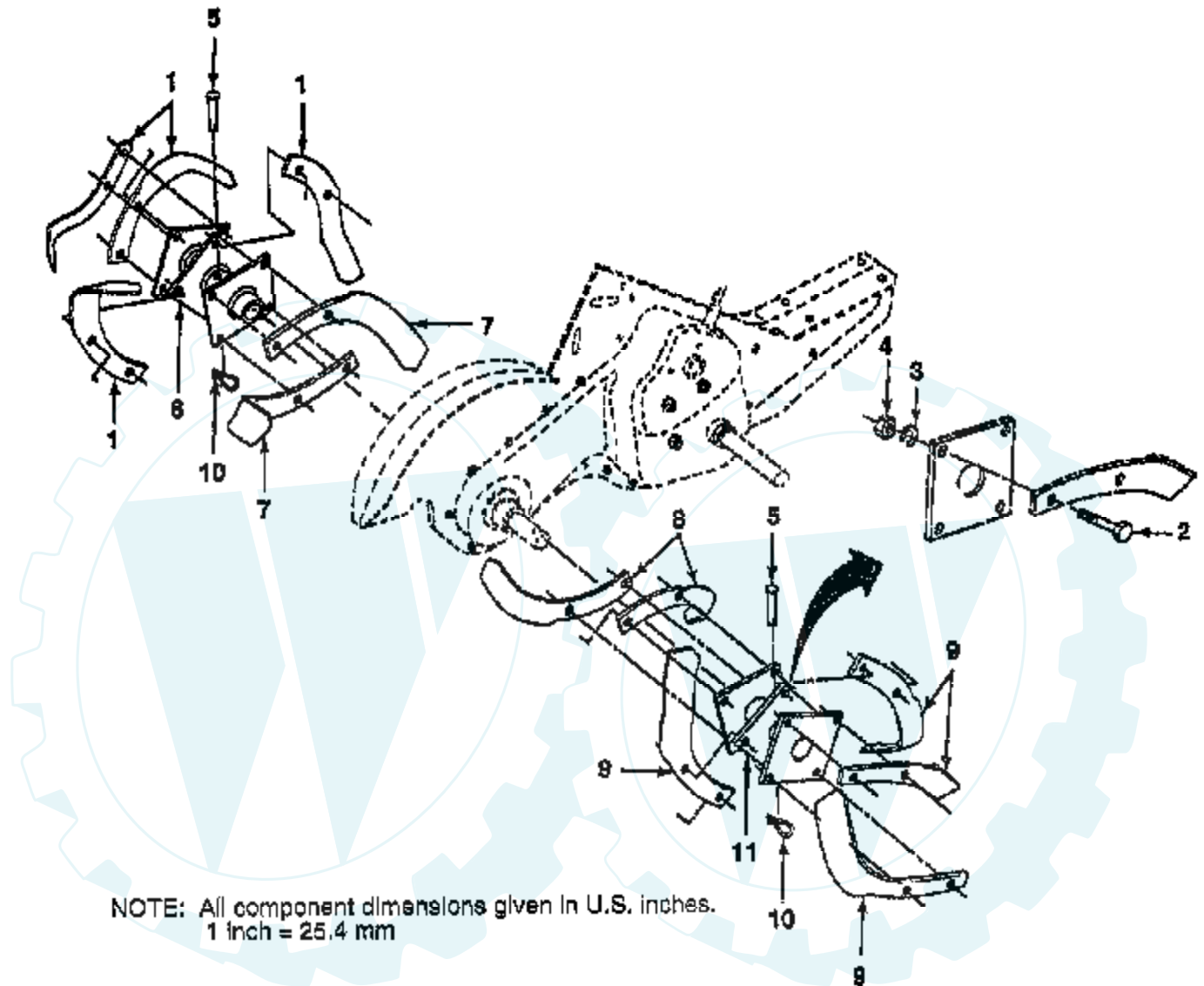


Ref #	Part Number	Qty	Description
1	98000129		NUT
2	104086X423		SUB= 104086X505
3	104085X423		SUB= 104085X505
4	8393J		STAKE PIN TI
5	12000036		KLIP RING TI
6	72140506		BOLT
7	8394J		SPRING TI
8	109230X		SPRING CRT
9	102326X423		SUB= 102326X505
10	72040410		BOLT
11	73220500		NUT.HEX.5/16-18
12	10040500		LOCKWASHER
13	72110508		BOLT CRT
14	124343X		BRKT SHIELD TINE
15	104101X423		SUB= 104101X505
16	73220400		SUB= 50675
17	10040400		LOCKWASHER
19	102701X		GRIP CRT
20	73220600		NUT.HEX.3/8-16UNC
21	102156X		SUB= 102156X500
22	74930632		BOLT
23	4440J		HINGE CRT
24	72140404		BOLT
25	6712J		VINYL CAP TI
26	109227X		PAD IDLER TI
27	102695X423		SUB= 102695X505
29	120588X		PIN HINGE
30	8392J		LATCH BRACKET TI
31	72110510		BOLT
	124171X		NLA
	120076X		SUB= 120075X



### 5 HP 17" CRT TILLER - - MODEL NUMBER YERT5B

#### TINES



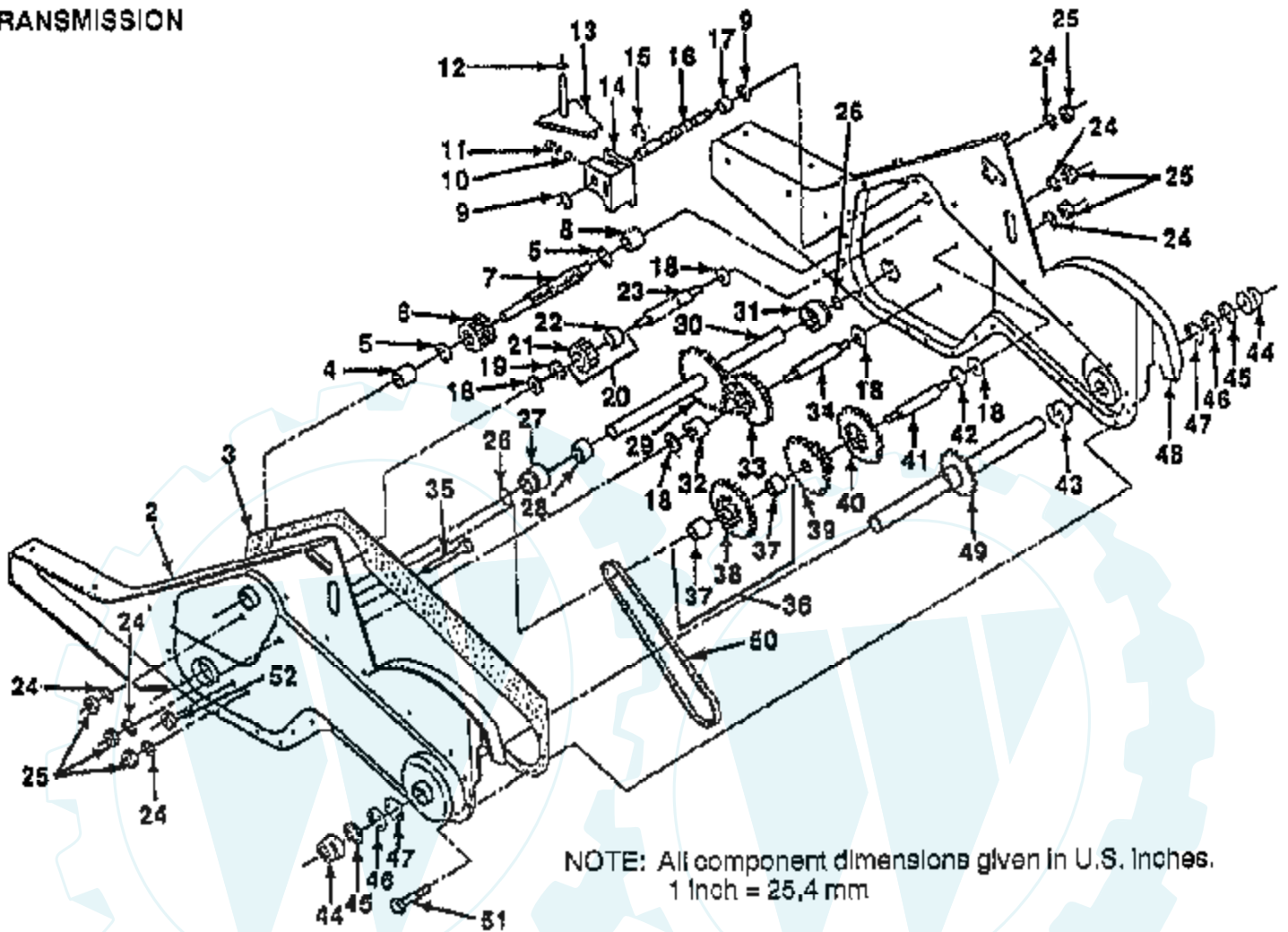
NOTE: All component dimensions given in U.S. inches.  
1 inch = 25.4 mm

Ref #	Part Number	Qty	Description
1	4459J		SUB= 6554J
2	74610616		BOLT
3	10040600		LOCKWASHER
4	73610600		SUB= 7810H
5	4929H		RIVET.PAN HD.1.75
6	102380X		TINE ASSY LH CRT
7	6554J		"TINE.LH.12""
8	6555J		"TINE.RH.12""
9	4460J		SUB= 6555J
10	3146R		RETAINER.SPRING
11	102382X		TINE ASSY RH CRT



### 5 HP 17" CRT TILLER -- MODEL NUMBER YERT5B

#### TRANSMISSION



Ref #	Part Number	Qty	Description
1	121146X		SUB= 155112
2	121147X		SUB= 150698
3	106211X		GASKET TI
4	5020J		NEEDLE BRNG LT
5	1370H		"T, BEARING"
6	102113X		PINION-INPUT CRT
7	102110X		SHAFT-INPUT CRT
8	4895H		"TI, BEARING"
9	102136X		WASHER SEAL CRT
10	7392M		SUB= 100482K
11	100371K		SPRING-SHIFT CRT
12	106160X		O-RING TI
13	102107X		ARM ASSY CRT
14	8353J		SHIFT FORK TI
15	12000039		KLIP RING
16	102109X		SHAFT SHIFT CRT
17	104159X		SPACER SPLIT CRT
18	4358J		WASHER
19	12000040		KLIP RING
20	102114X		GEAR ASSY CRT
21	102115X		GEAR-REV IDLR CRT
22	6803J		NEEDLE BEARING TI
23	102111X		SHAFT CRT
24	10040700		LOCKWASHER
25	73610700		NUT.ASF.HEX.7/16
26	102128X		O RING CRT
27	102100X		"CRT, BEARING"
28	106390X		BUSHING TI
29	102134X		CHAIN CRT
30	109204X		SUB= 150737
31	102106X		SUB= 918102106X
32	106388X		SPACER TI
33	102121X		SPRCKT 8 GEAR CRT
34	102112X		SHFT 2ND RED. CRT
35	102101X		SCRW WHIZ LOK CRT
36	106141X		SUB= 137300
37	4422J		BEARING
38	106142X		SUB= 137300
39	105345X		GEAR TI
40	105346X		GEAR TI
41	8358J		REDUCTION SHFT TI
42	4220R		BRNG RACE
43	106146X		SPACER TI
44	9672R		CUP.FORMED.
45	102144X		RING SPIRAL CRT
46	9676R		SUB= 147344
47	9674R		SUB= 147344
48	121745X		SUB= 150700
49	106144X		SHAFT ASSY TI
50	106147X		CHAIN.50 LINK TI
51	17580408		SCREW CRT
52	73220500		NUT.HEX.5/16-18
	6066J		GREASE PREMIUM-1