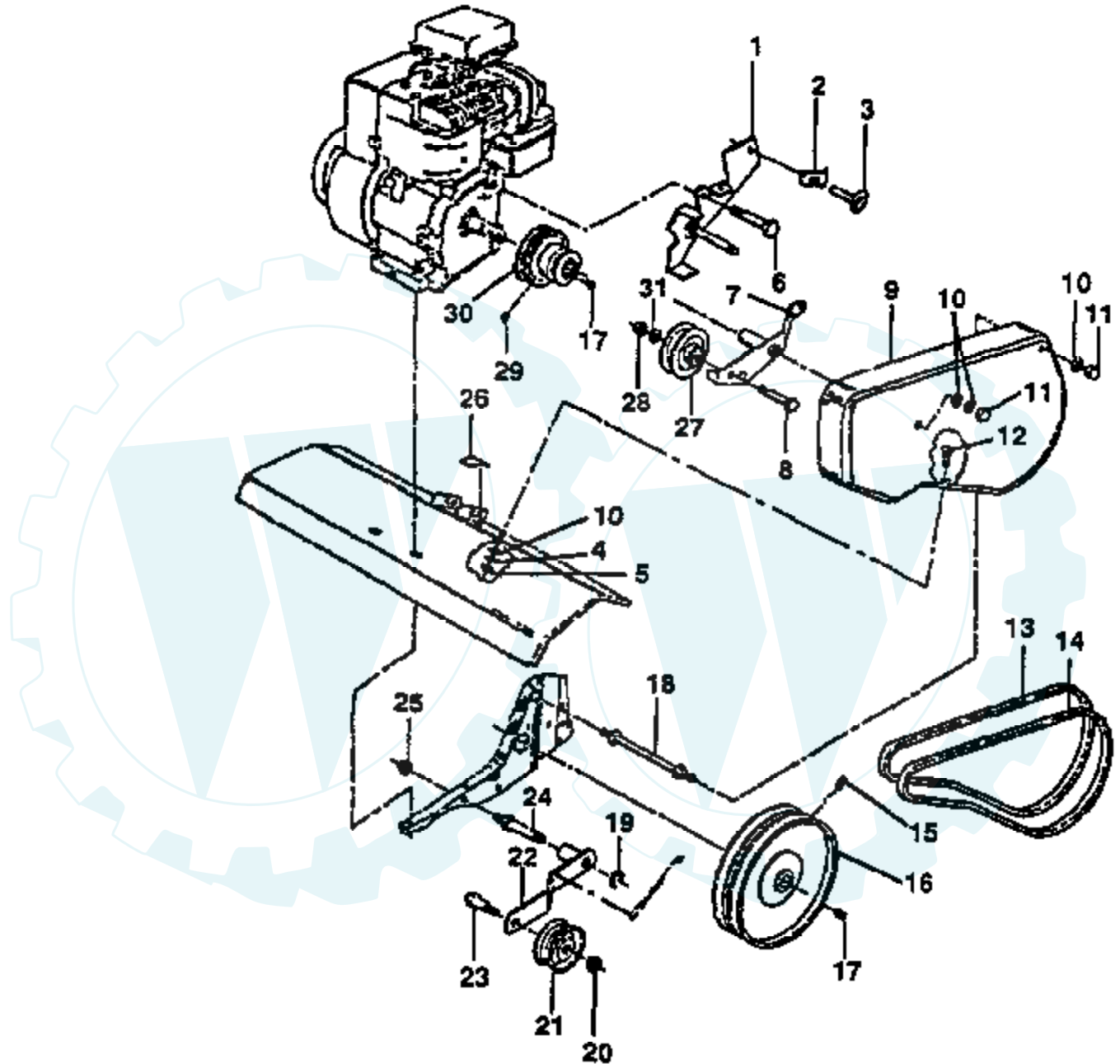


5 HP 26" TILLER - - MODEL NUMBER XF550A

BELT GUARD AND PULLEY ASSEMBLY



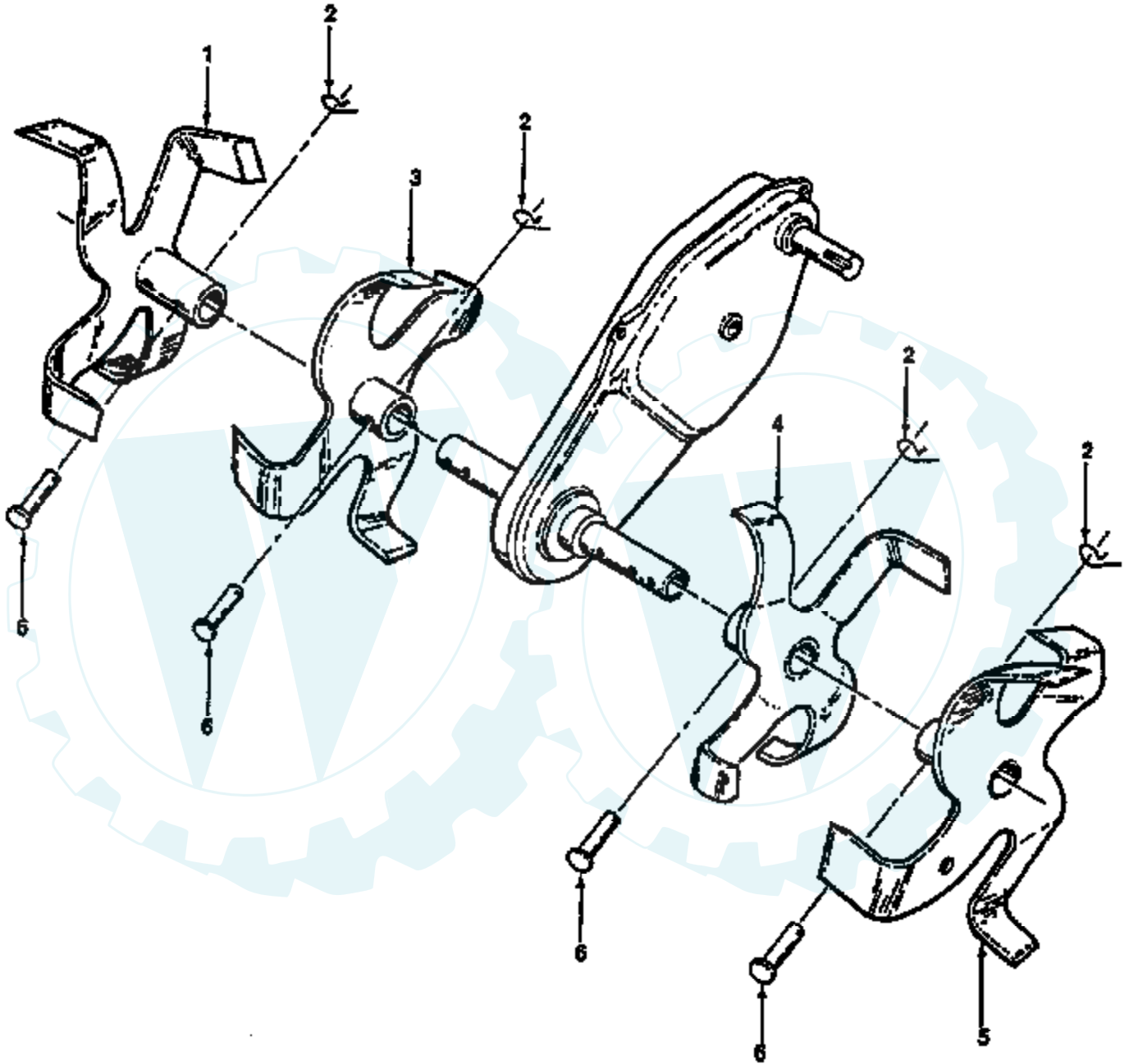
***STANDARD HARDWARE—PURCHASE LOCALLY**
NOTE: All component dimensions given in U.S. inches.
1 inch = 25.4 mm

Ref #	Part Number	Qty	Description
1	123643X		SUB= 159268
2	9484R		CONDIUT CLIP T
3	86777		SUB= 750097
4	10040400		LOCKWASHER
5	73220400		SUB= 50675
6	74770812		SCREW
7	106953X		REV IDLER ARM TI
8	74760624		SUB= 74930624
9	106970X475		"GRD,BELT"
10	19091016		WASHER
11	104213X		NUT-CAP TI
12	72140405		BOLT T
13	4833H		SUB= 133035
14	2614J		SUB= TH3H440
15	23230506		SET SCREW
16	2607J		SHEAVE TI
17	2649M		KEY T
18	110550X		BOLT TI
19	12000036		KLIP RING TI
20	73350600		NUT
21	9178R		SUB= 75673
22	674A30		IDLER ARM TI
23	74760620		SUB= 74780620
24	106968X		SHAFT IDLER TI
25	73350500		JAM NUT TI
26	109227X		PAD IDLER TI
27	2009J		PULLEY W/SPACER
28	73220600		NUT.HEX.3/8-16UNC
29	23200404		SET SCREW
30	101189L		ENGINE PULLEY TI
31	19131316		WASHER
	127700		DECAL, LOGO

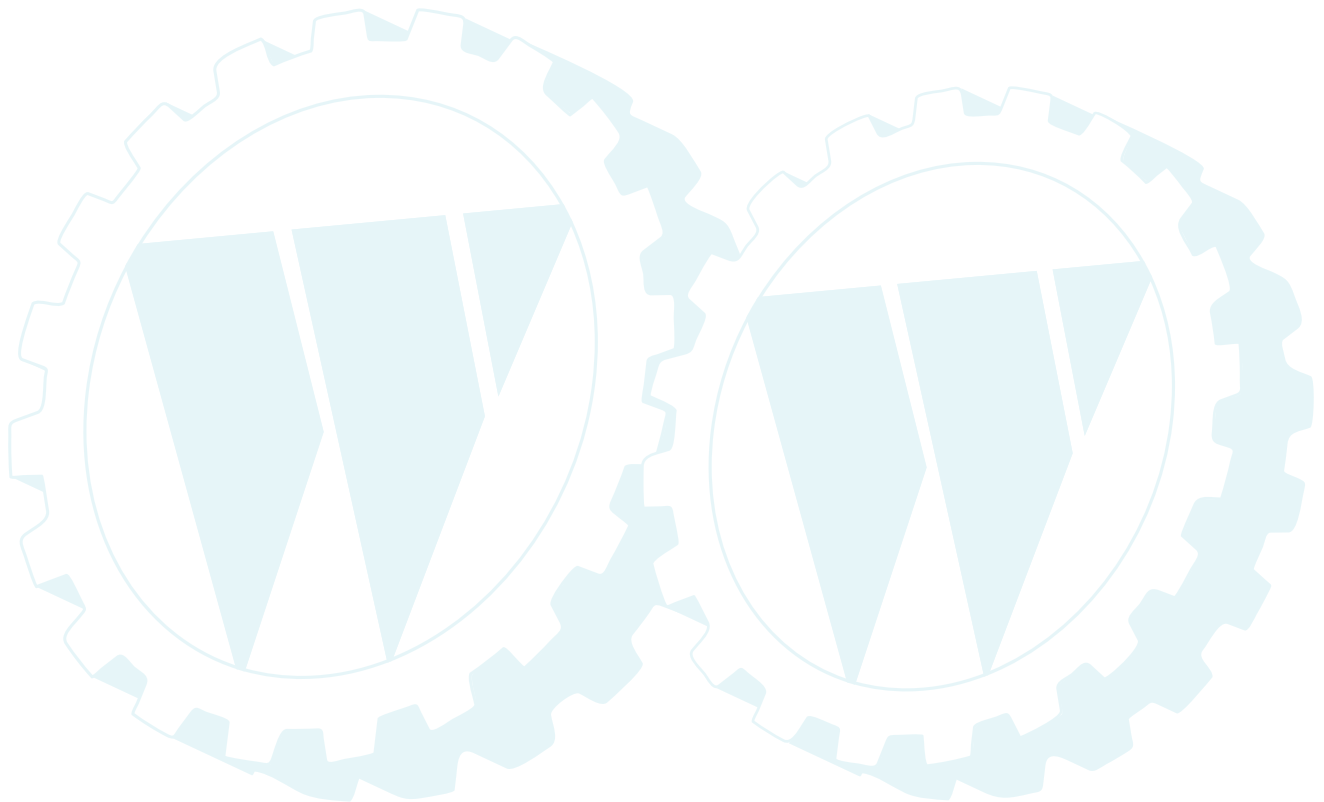
Ref #	Part Number	Qty	Description
1	71091008		SCREW
5	127046X475		"BRKT,HANDLE"
6	72140512		BOLT
7	127011X		SUB= 532127011
8	73731000		NUT
9	73680500		SUB= 73690500
10	19111116		WASHER
11	9266R		SUB= 624A78
12	2623J		SUB= 2623J500
13	19121414		WASHER
14	63688		SUB= 136376
16	100196K		SUB= 106932X
17	3066J		CABLE CLUTCH T
18	2635J		CONTROL LEVER TI
19	23200405		SCREW
20	12000027		E-RING
21	101248K		ROD REVERSE TI
22	1778E		RIVET.RD.HD.DRILL
23	2613J		REVERSE ROD TI
24	19131316		WASHER
25	76020412		COTTER PIN
26	76020308		SUB= 3145
27	471J		BOLT CT
28	10040500		LOCKWASHER
29	73220500		NUT.HEX.5/16-18
30	98000129		NUT
31	72140506		BOLT
32	674A150475		"PANEL,HDLE"
33	72110510		BOLT
34	2624J		SUB= 2624J500
	121751X		DECAL, THROTTLE
	121753X		DECAL REVERSE
	120431X		DECAL TI
	127698		DECAL, LOGO
	127699		DECAL, HP
	127697X		NLA

5 HP 26" TILLER - - MODEL NUMBER XF550A

TINES

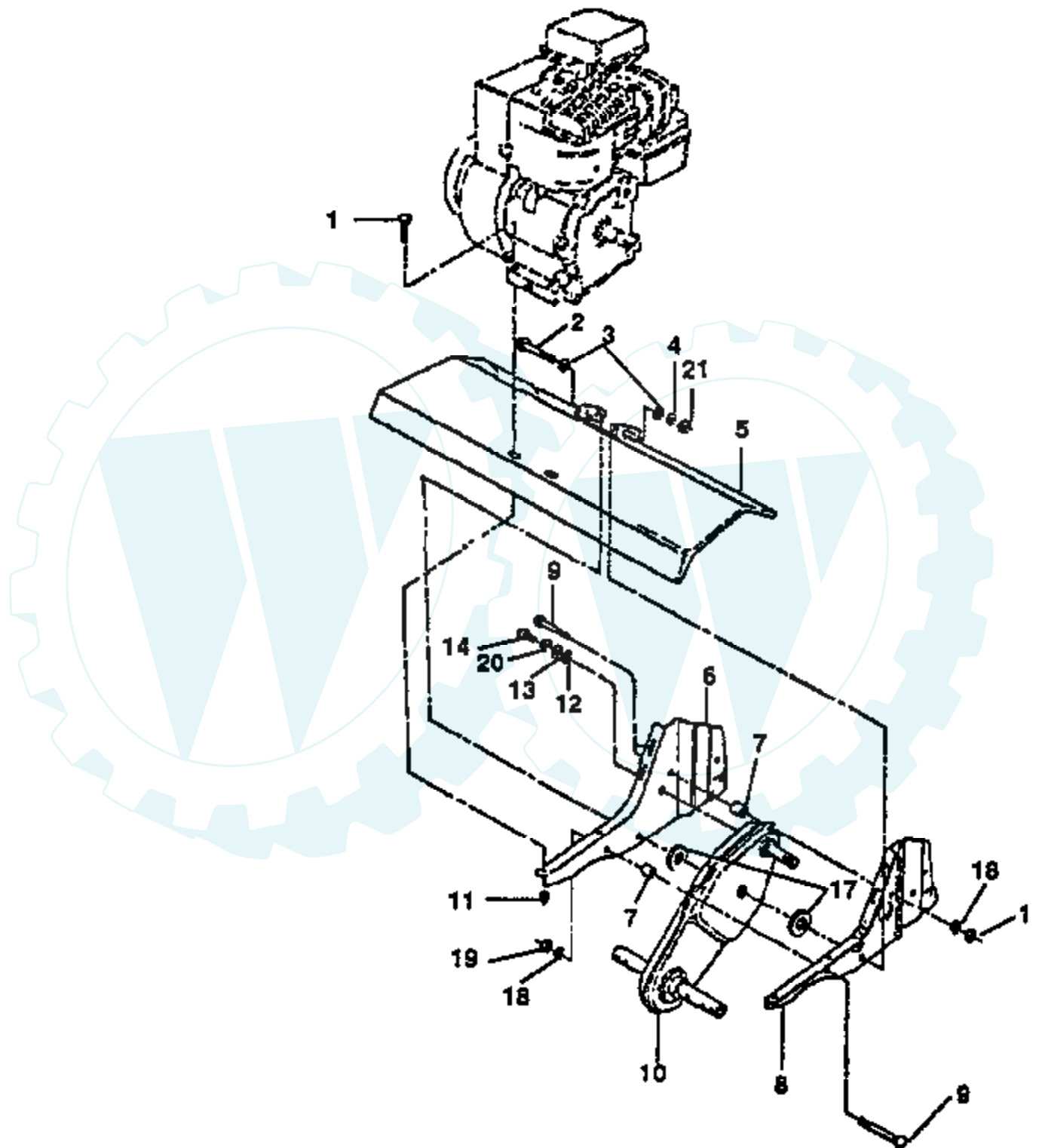


Ref #	Part Number	Qty	Description
1	100746M		TINE WELDMENT TI
2	3146R		RETAINER.SPRING
3	674A43		TINE TI
4	674A42		TINE TI
5	100744M		TINE WELDMENT TI
6	4929H		RIVET.PAN HD.1.75



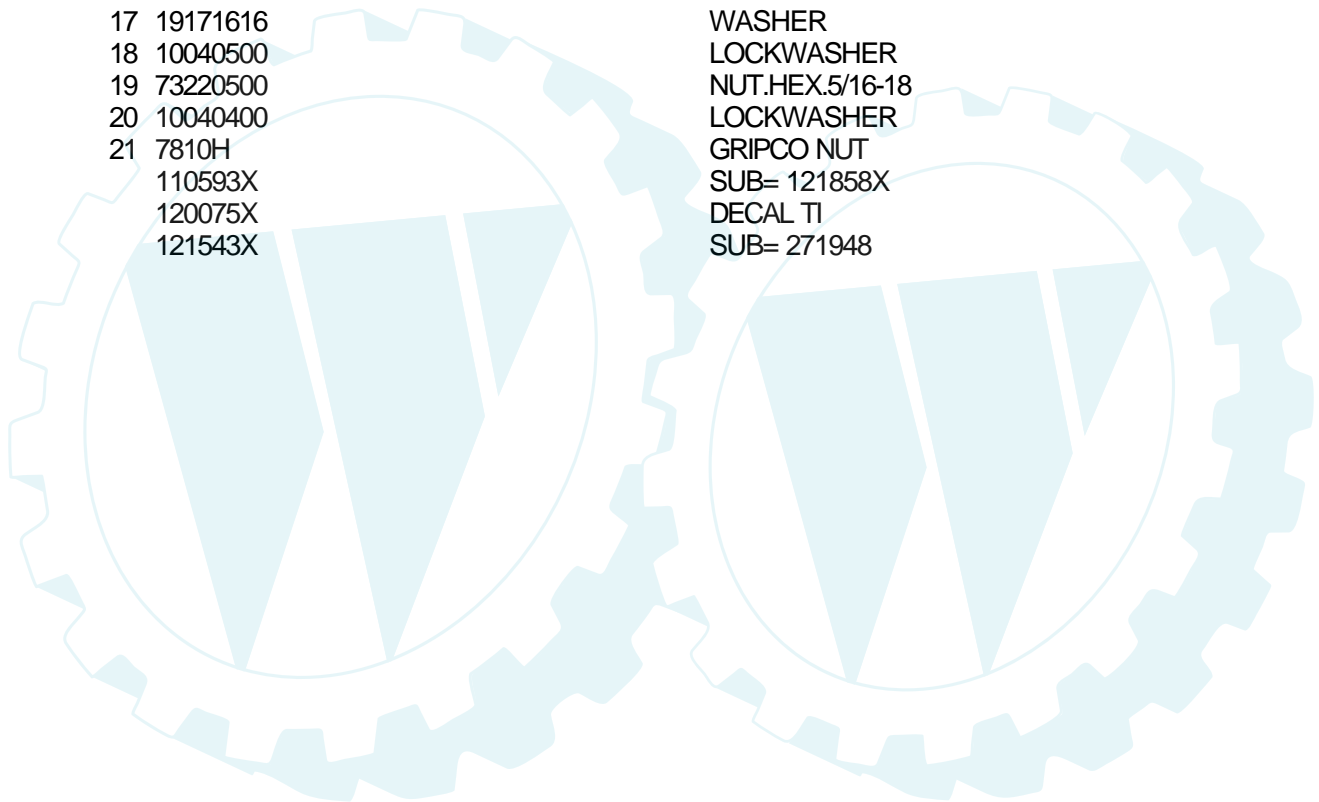
TRANSMISSION

5 HP 26" TILLER - - MODEL NUMBER XF550A

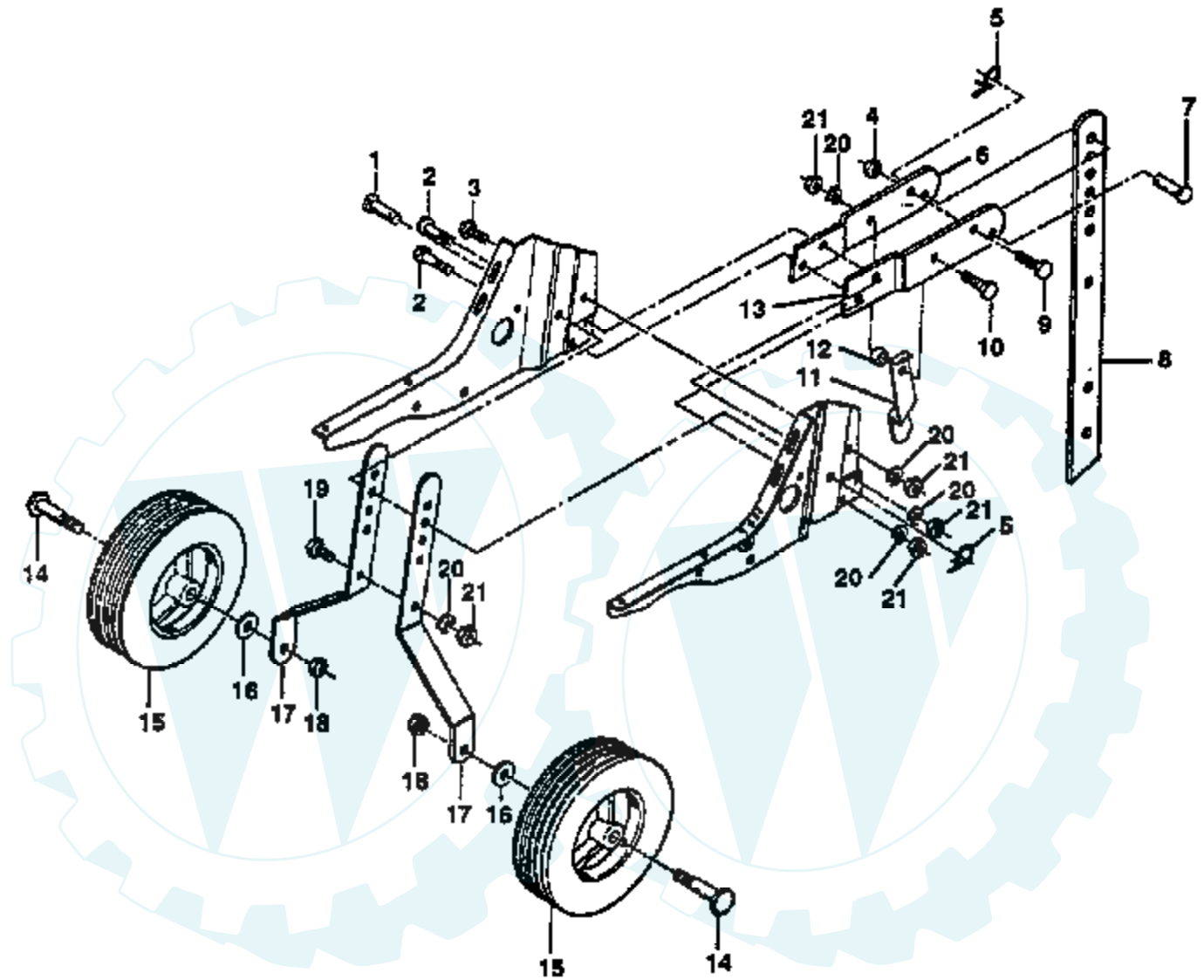


***STANDARD HARDWARE—PURCHASE LOCALLY**
NOTE: All component dimensions given in U.S. inches.
1 inch = 25.4 mm

Ref #	Part Number	Qty	Description
1	74760524		BOLT.HEX.5/16-1.5
2	74610652		BOLT.3/8-24X3.75
3	19131311		WASHER
4	10040600		LOCKWASHER
5	9057R475		"SHIELD,TINE "
6	1949J		SUB= 1949J500
7	9173R		SPLIT SPACER RT
8	110519X		BRACKET.ENG.LH.
9	74760544		SUB= 74780544
10	126669X		SUB= 532126669
11	73510500		NUT
12	19091412		WASHER
13	19092016		WASHER
14	74610412		BOLT
17	19171616		WASHER
18	10040500		LOCKWASHER
19	73220500		NUT.HEX.5/16-18
20	10040400		LOCKWASHER
21	7810H		GRIPCO NUT
	110593X		SUB= 121858X
	120075X		DECAL TI
	121543X		SUB= 271948



**5 HP 26" TILLER - - MODEL NUMBER XF550A
WHEEL AND DEPTH STAKE ASSEMBLY**



***STANDARD HARDWARE—PURCHASE LOCALLY**

**NOTE: All component dimensions given in U.S. inches.
1 inch = 25.4 mm**

Ref #	Part Number	Qty	Description
1	9194R		DRILLED RIVET RT
2	74760520		BOLT
3	74760512		BOLT
4	7810H		GRIPCO NUT
5	4921H		SPRING.RETAINER
6	1952J		SUB= 1952J500
7	326J		SUB= 4929H
8	122233X		SUB= 2582J
9	74610624		BOLT.3/8-24X1-1/2
10	74760524		BOLT.HEX.5/16-1.5
11	5388J		STAKE SPRING TI
12	120958X		WASHER
13	1951J		SUB= 1951J500
14	121117X		BOLT SHOULDER
15	9188R		SUB= 107644X
16	19131311		WASHER
17	9190R		SUB= 9190R500
18	73680600		SUB= 73690600
19	74760516		SUB= 77394
20	10040500		LOCKWASHER
21	73220500		NUT.HEX.5/16-18

