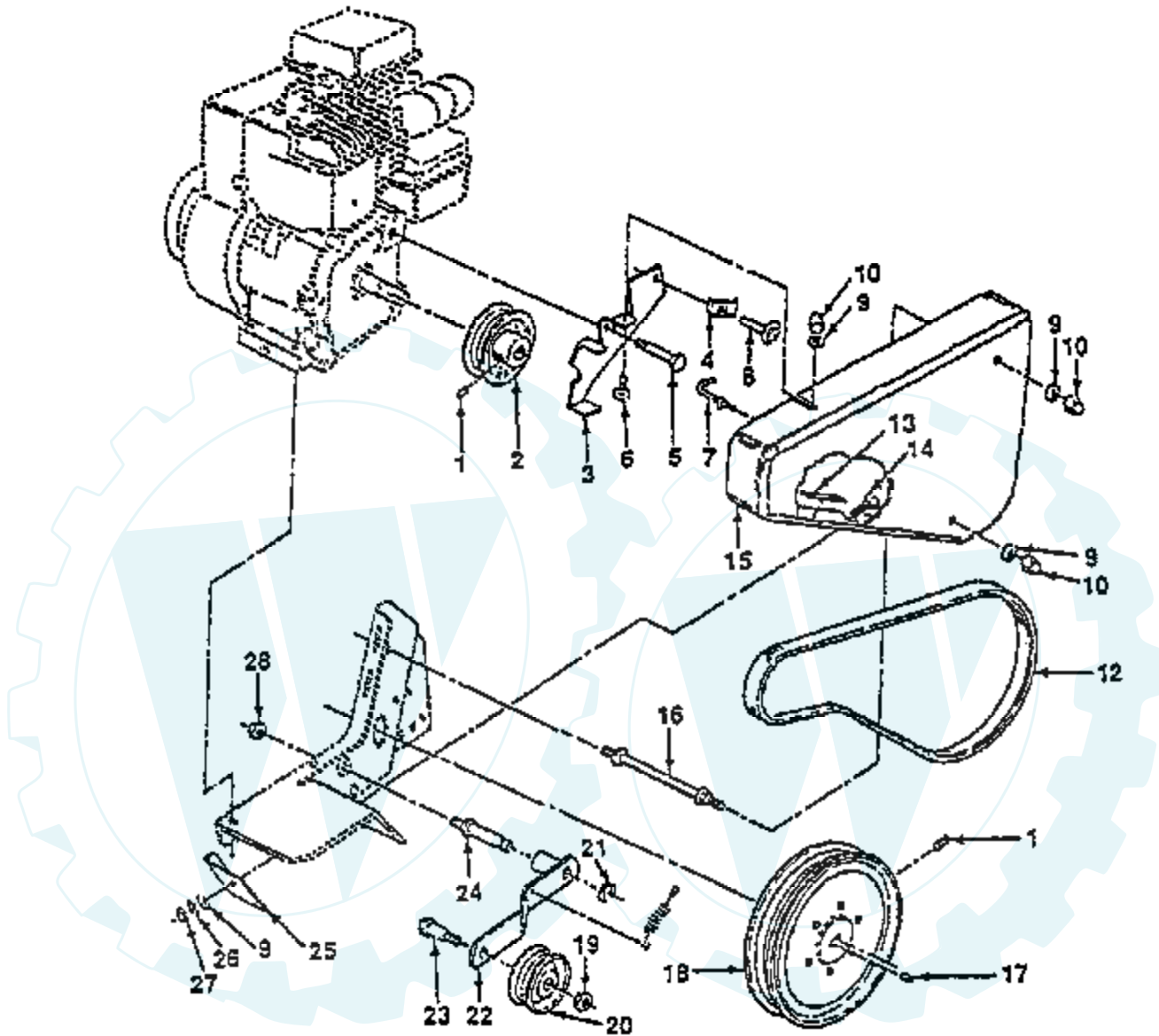
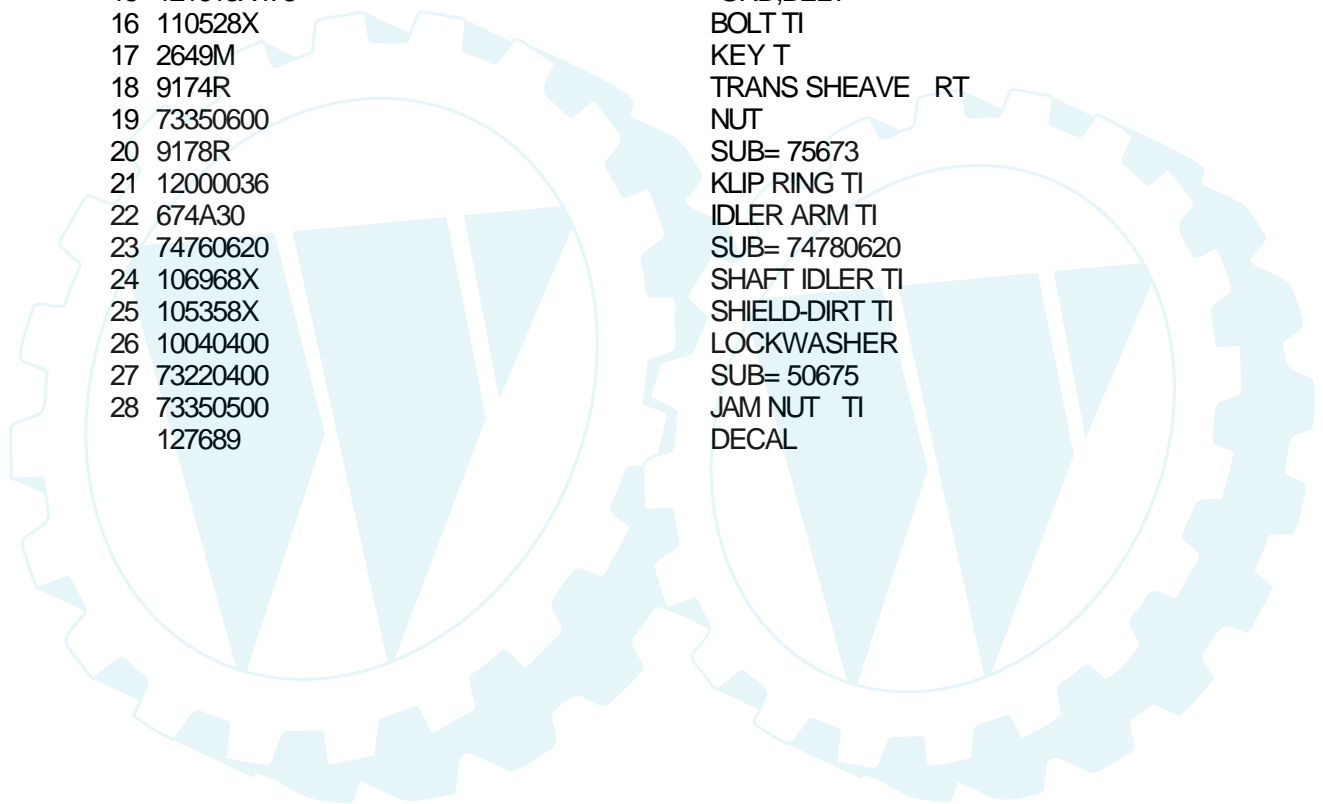


3 HP TILLER - - MODEL NUMBER XF300A BELT GUARD AND PULLEY ASSEMBLY



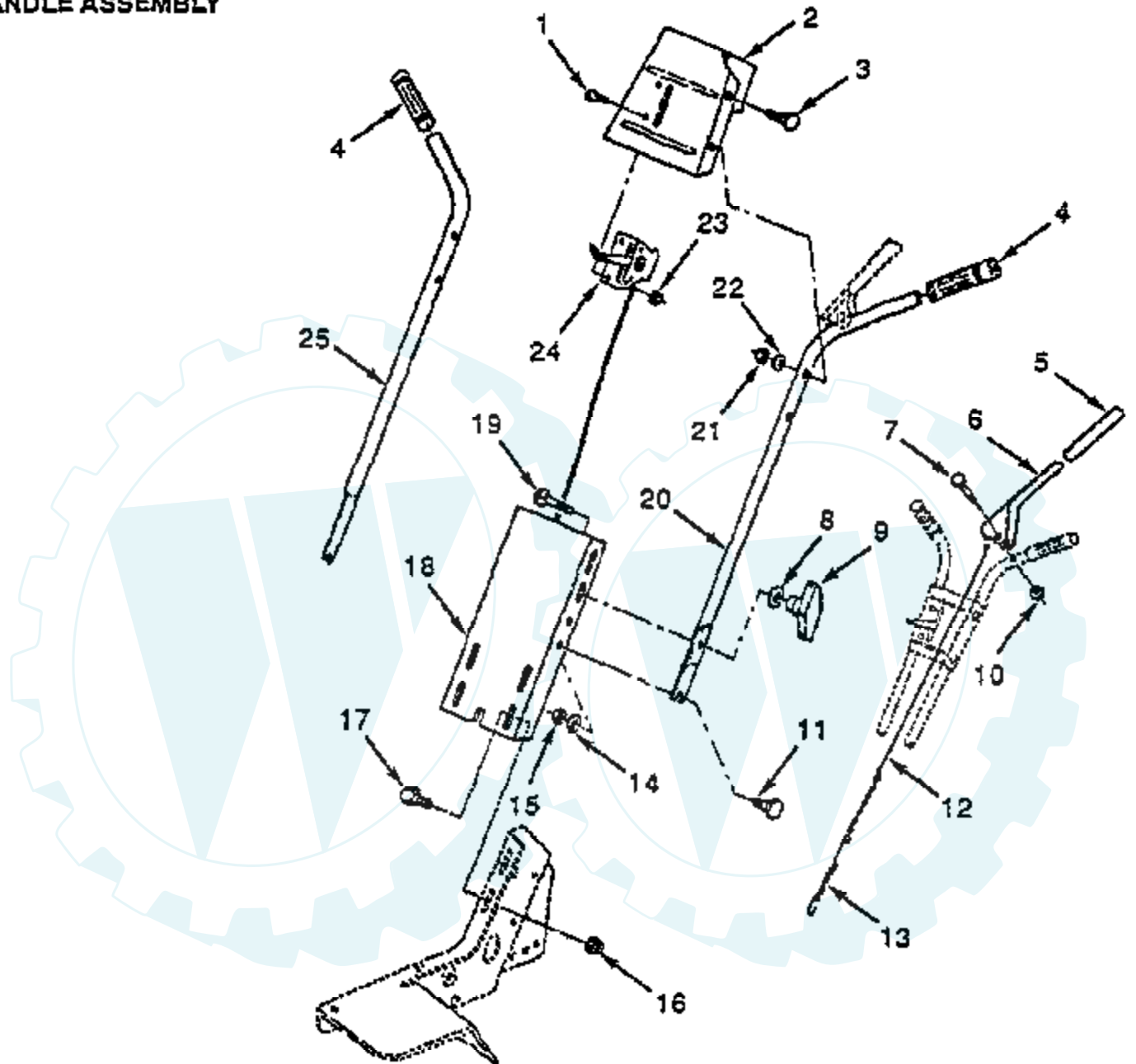
* STANDARD HARDWARE - PURCHASE LOCALLY
NOTE: All component dimensions given in U.S. inches.
1 inch = 25.4 mm

Ref #	Part Number	Qty	Description
1	23230506		SET SCREW
2	7417J		PULLEY
3	122955X		BRKT ASSY
4	9484R		CONDIUT CLIP T
5	74770812		SCREW
6	72140404		BOLT
7	121463X		KEEPER BELT
8	86777		SUB= 750097
9	19091016		WASHER
10	104213X		NUT-CAP TI
12	9179R		SUB= TH3H390
13	109227X		PAD IDLER TI
14	72140406		BOLT T
15	121613X475		"GRD,BELT"
16	110528X		BOLT TI
17	2649M		KEY T
18	9174R		TRANS SHEAVE RT
19	73350600		NUT
20	9178R		SUB= 75673
21	12000036		KLIP RING TI
22	674A30		IDLER ARM TI
23	74760620		SUB= 74780620
24	106968X		SHAFT IDLER TI
25	105358X		SHIELD-DIRT TI
26	10040400		LOCKWASHER
27	73220400		SUB= 50675
28	73350500		JAM NUT TI
	127689		DECAL



HANDLE ASSEMBLY

3 HP TILLER -- MODEL NUMBER XF300A

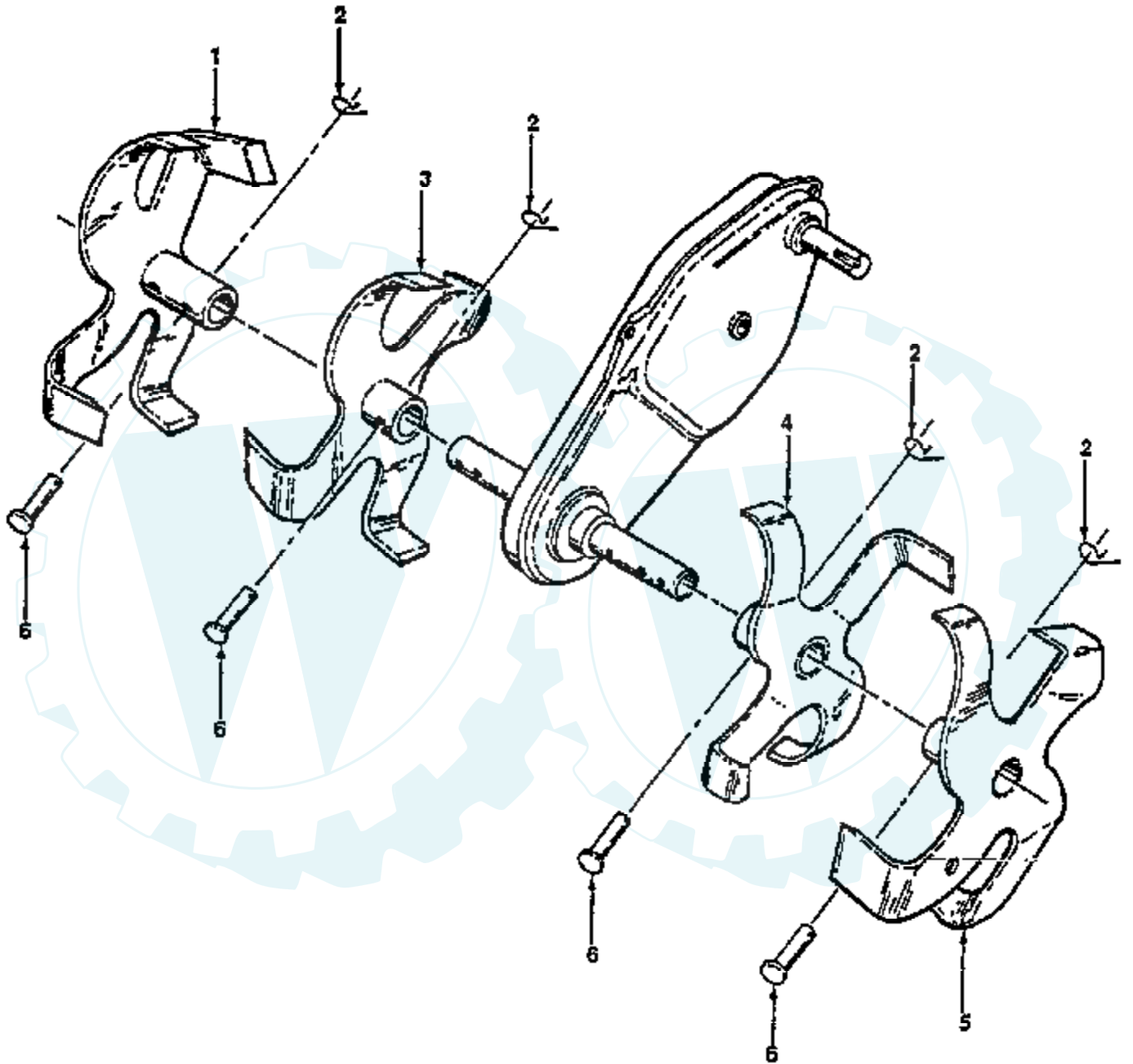


* STANDARD HARDWARE - PURCHASE LOCALLY
NOTE: All component dimensions given in U.S. inches
1 inch = 25.4 mm

Ref #	Part Number	Qty	Description
1	71091008		SCREW
2	127046X475		"BRKT,HANDLE"
3	72140512		BOLT
4	9266R		SUB= 624A78
5	8206H		GRIP T
6	3069J		SUB= 164937
7	74760524		BOLT.HEX.5/16-1.5
8	19121414		WASHER
9	63688		SUB= 136376
10	1685H		SUB= 68478
11	471J		BOLT CT
12	3067J		SUB= 100382K
13	3070J		SPRING EXT TI
14	10040500		LOCKWASHER
15	73220500		NUT.HEX.5/16-18
16	98000129		NUT
17	72140506		BOLT
18	2626J475		"PANEL,HANDLE "
19	72110510		BOLT
20	2621J		SUB= 154127
21	73680500		SUB= 73690500
22	19111116		WASHER
23	73731000		NUT
24	127011X		SUB= 532127011
25	2622J		SUB= 159764
	127688		NLA
	121751X		DECAL, THROTTLE
	120431X		DECAL TI
	110613X		DECAL TI
	127687X		"MANUAL,OWNERS"

3 HP TILLER - - MODEL NUMBER XF300A

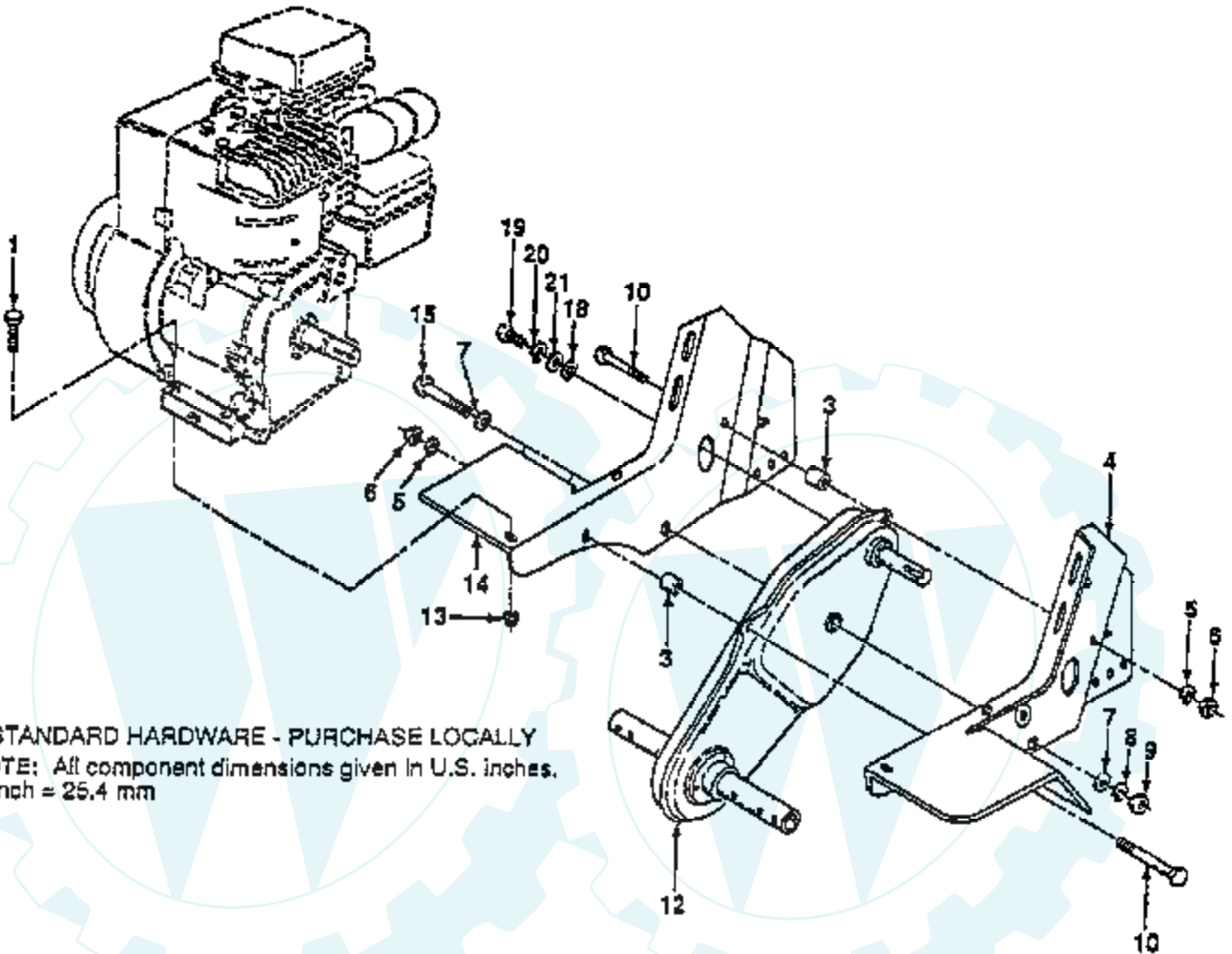
TINE ASSEMBLY



Ref #	Part Number	Qty	Description
1	106860X		TINE ASSY RH
2	4921H		SPRING.RETAINER
3	106858X		TINE ASSY RH
4	106857X		TINE INN LH TI
5	106859X		TINE ASS'Y LH
6	9194R		DRILLED RIVET RT



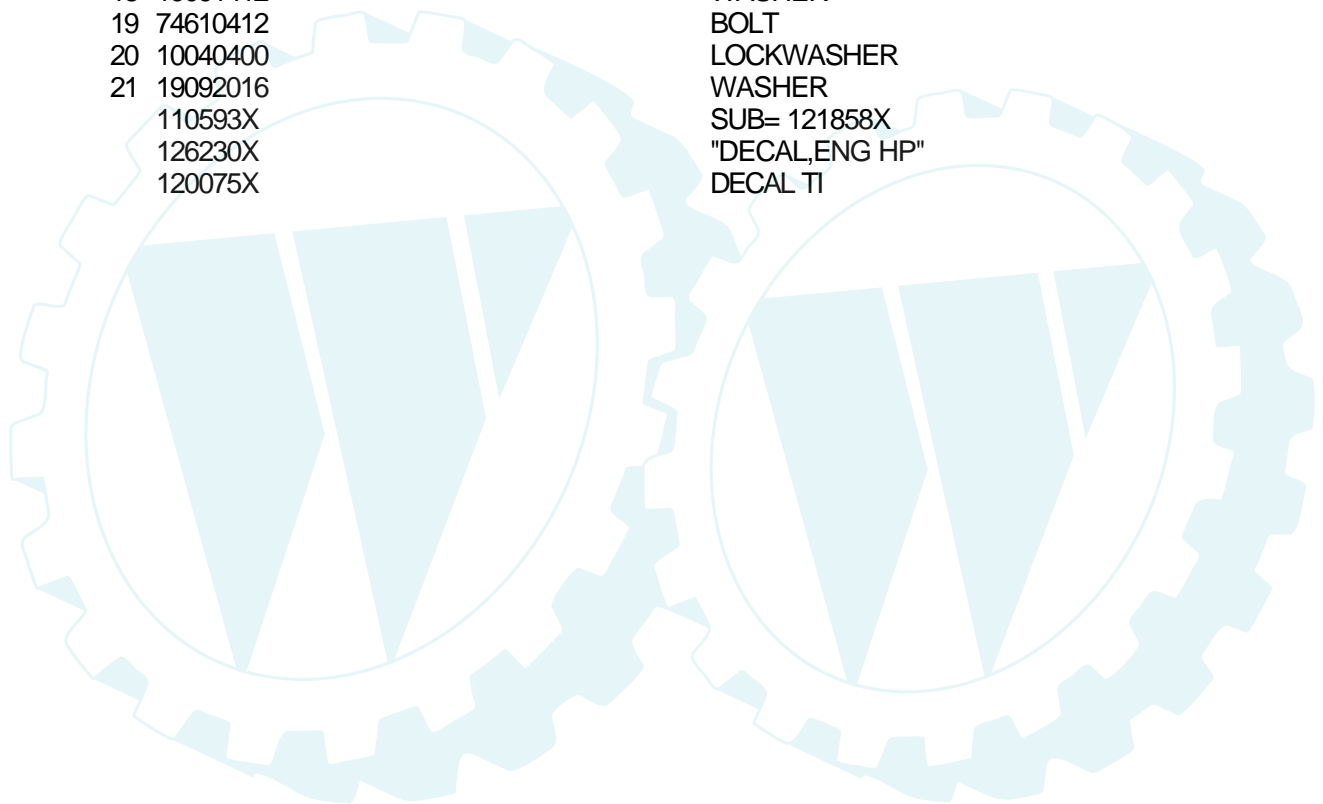
3 HP TILLER - - MODEL NUMBER XF300A TRANSMISSION AND TINE SHIELD ASSEMBLY



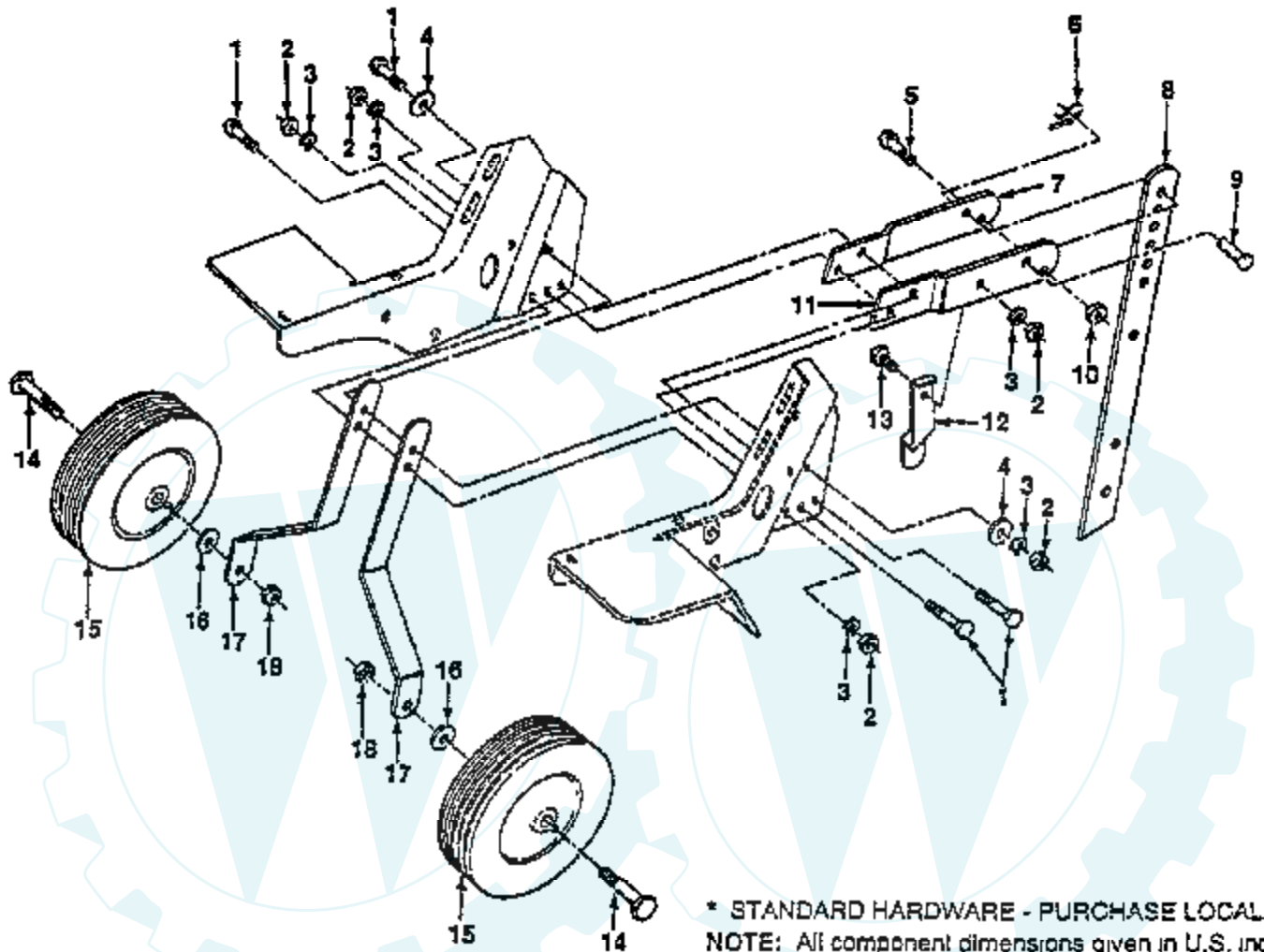
* STANDARD HARDWARE - PURCHASE LOCALLY

NOTE: All component dimensions given in U.S. inches.
1 inch = 25.4 mm

Ref #	Part Number	Qty	Description
1	74760524		BOLT.HEX.5/16-1.5
3	9173R		SPLIT SPACER RT
4	110510X475		"BRKT,ENG LH "
5	10040500		LOCKWASHER
6	73220500		NUT.HEX.5/16-18
7	19131311		WASHER
8	10040600		LOCKWASHER
9	7810H		GRIPCO NUT
10	74760544		SUB= 74780544
12	105391X		SUB= 918105391X
13	73510500		NUT
14	2606J475		"BRKT,ENG RH"
15	74610652		BOLT.3/8-24X3.75
18	19091412		WASHER
19	74610412		BOLT
20	10040400		LOCKWASHER
21	19092016		WASHER
	110593X		SUB= 121858X
	126230X		"DECAL,ENG HP"
	120075X		DECAL TI



3 HP TILLER - - MODEL NUMBER XF300A WHEEL AND DEPTH STAKE ASSEMBLY



* STANDARD HARDWARE - PURCHASE LOCALLY
NOTE: All component dimensions given in U.S. inches.
1 inch = 25.4 mm

Ref #	Part Number	Qty	Description
1	74760520		BOLT
2	73220500		NUT.HEX.5/16-18
3	10040500		LOCKWASHER
4	19121414		WASHER
5	74610624		BOLT.3/8-24X1-1/2
6	4921H		SPRING.RETAINER
7	318J		STAKE.SUPT.TILLER
8	9193R		SUB= 9193R500
9	9551R		DRILLED RIVET RT
10	7810H		GRIPCO NUT
11	317J		SUB= 317J500
12	325J		STAKE SPRING CT
13	74760512		BOLT
14	121117X		BOLT SHOULDER
15	9186R		SUB= STD333760
16	19131311		WASHER
17	9189R		SUB= 674H4
18	73680600		SUB= 73690600

