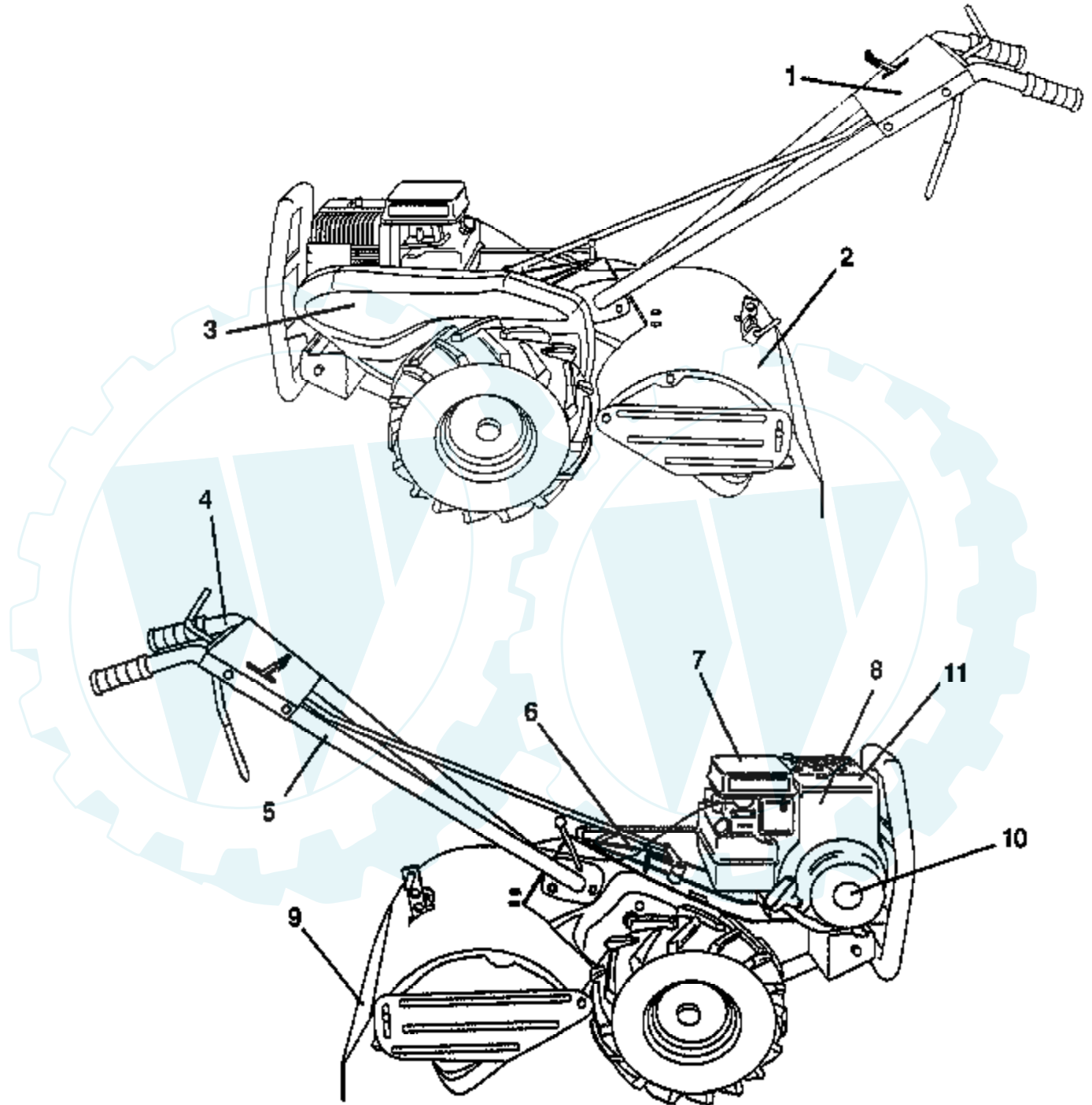
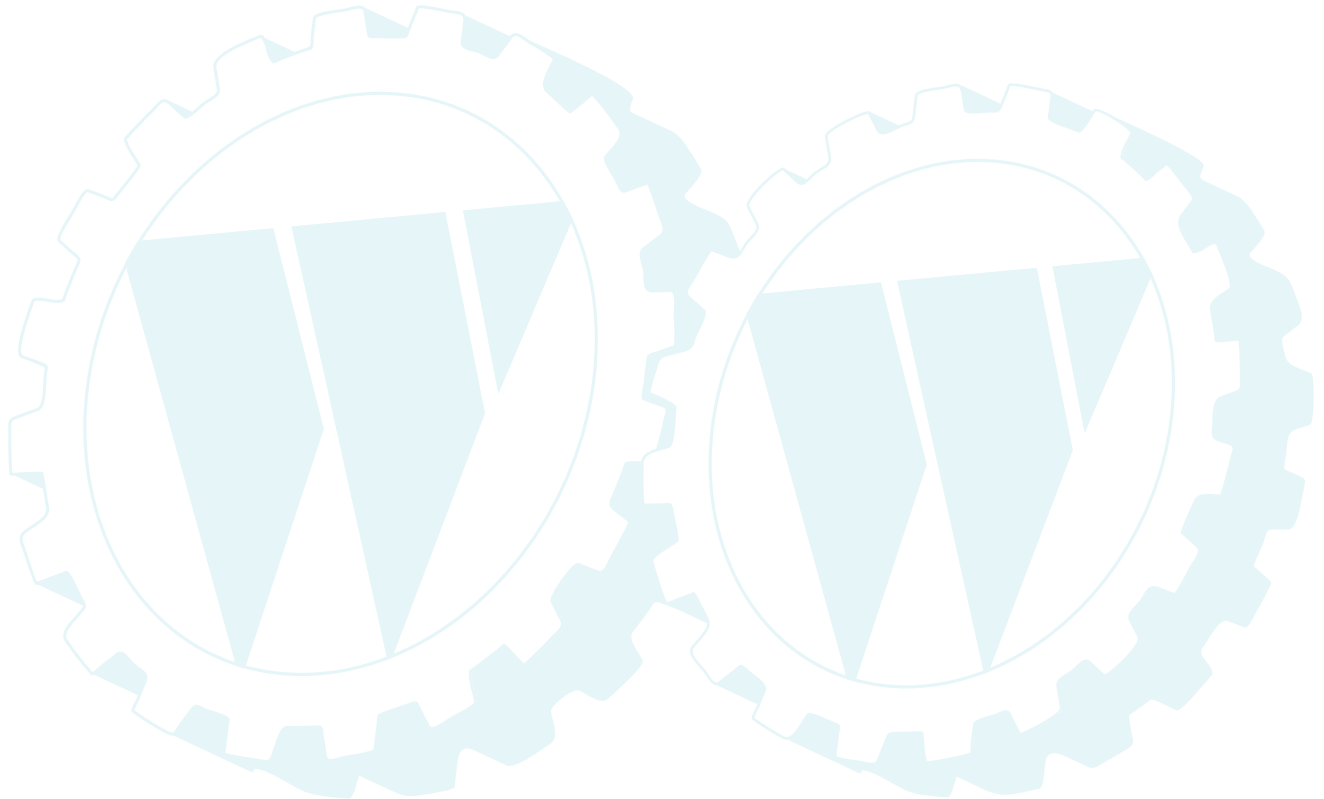


## TILLER - - MODEL NUMBER WERX500C

### DECALS

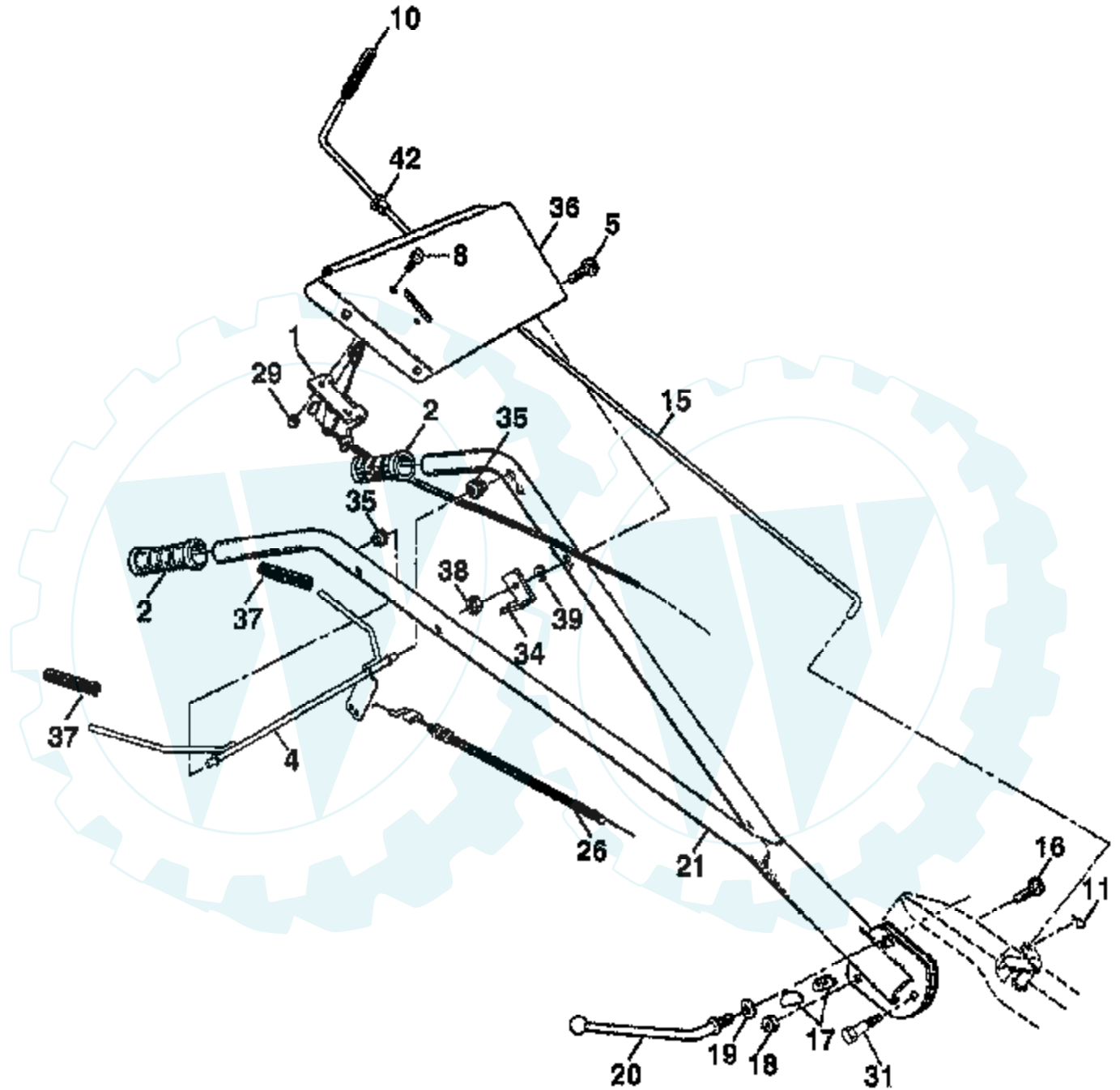


Ref #	Part Number	Qty	Description
1	162846		DECAL.LOGO
2	162878		DECAL.DESCRPTION
3	166572		"DECAL,LOGO"
4	110678X		NLA
5	159877		DECAL-PLACEMENT
6	102180X		DECAL CRT
7	110612X		DECAL TI
8	171803		DECAL
9	156129		DECAL-WARNING
10	171804		DECAL
11	145437		DECAL.EURO.ST.CE.
	172844		OWNER'S MANUAL-EURO
	172845		OWNER'S MANUAL-SCAND
	172846		REPAIR PARTS MANUAL

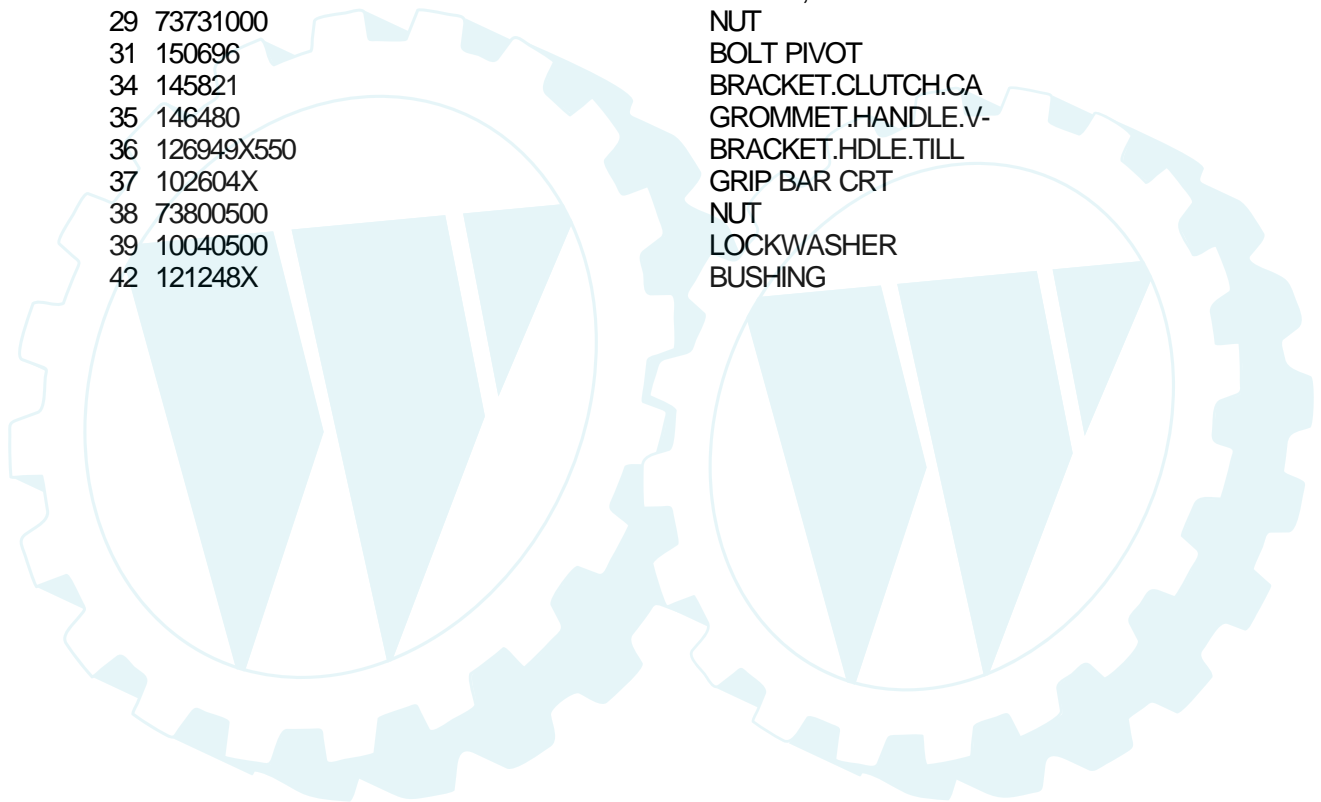


## TILLER - - MODEL NUMBER WERX500C

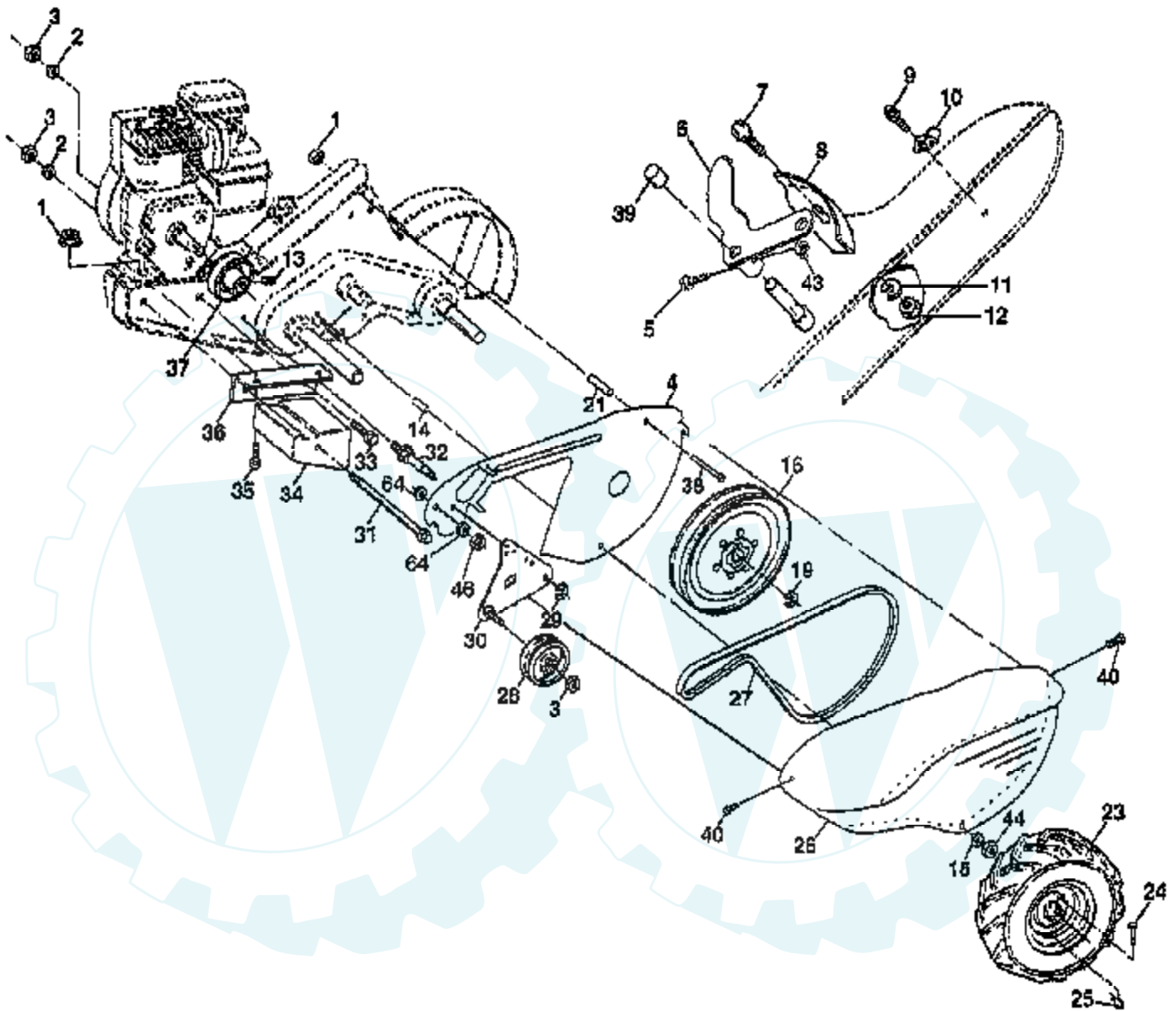
### HANDLE ASSEMBLY



Ref #	Part Number	Qty	Description
1	127012X		"CONT,THROTTLE"
2	150744		"GRIP,HANDLE"
4	159227		BAR CONTROL
5	72110514		BOLT CARRIAGE CRT
8	71191008		SCREW.PNHD.10-24
10	8389J		GRIP TI
11	4497H		RETAINER M
15	108281X		ROD SHIFT CRT
16	72110608		BOLT D
17	109229X		LOCK CRT
19	19131611		WASHER CRT
20	109228X		LEVER LOCK CRT
21	150217		HANDLE
26	159232		"CABLE, CLUTCH"
29	73731000		NUT
31	150696		BOLT PIVOT
34	145821		BRACKET.CLUTCH.CA
35	146480		GROMMET.HANDLE.V-
36	126949X550		BRACKET.HDLE.TILL
37	102604X		GRIP BAR CRT
38	73800500		NUT
39	10040500		LOCKWASHER
42	121248X		BUSHING

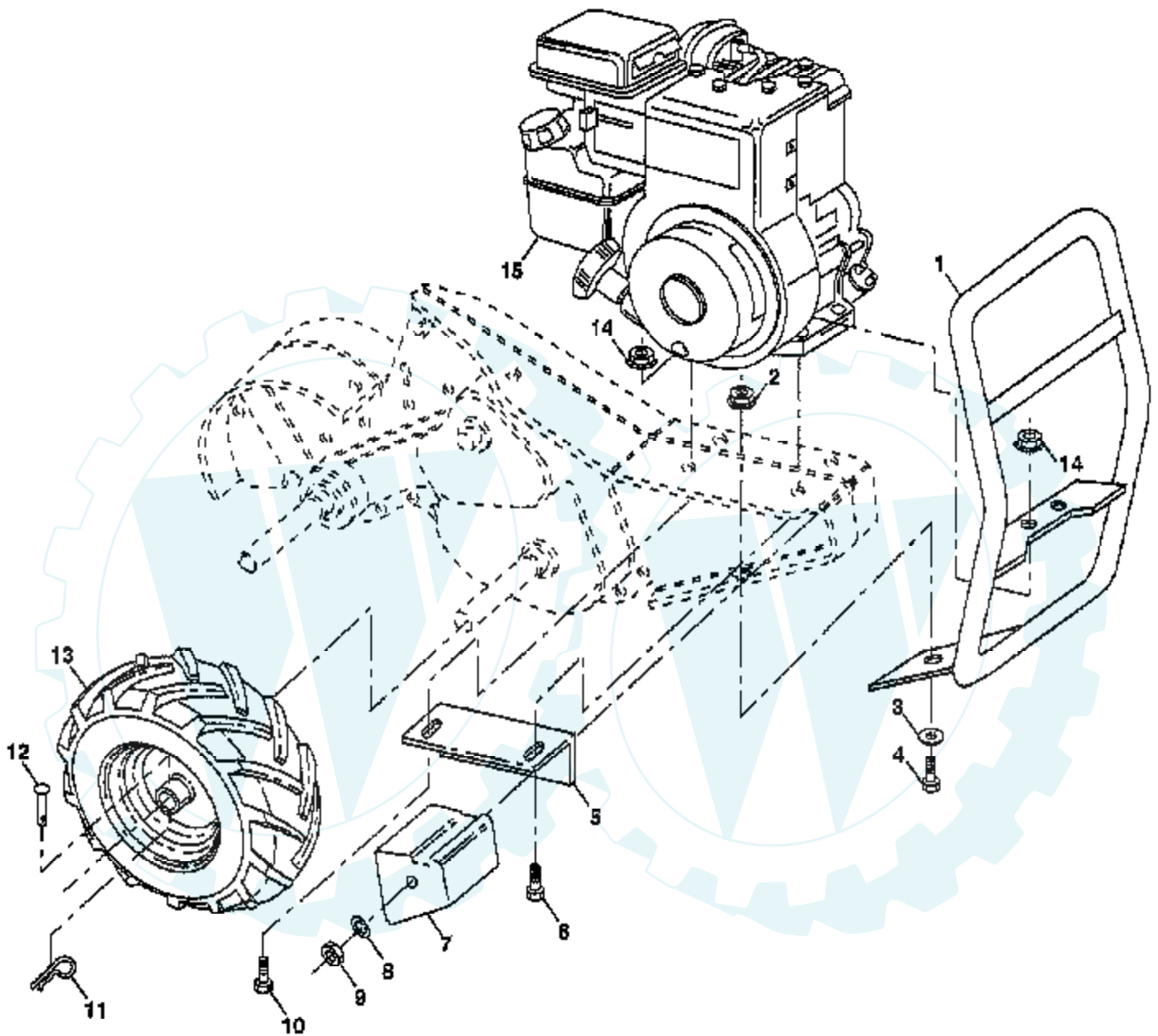


### TILLER - - MODEL NUMBER WERX500C MAINFRAME, LEFT SIDE

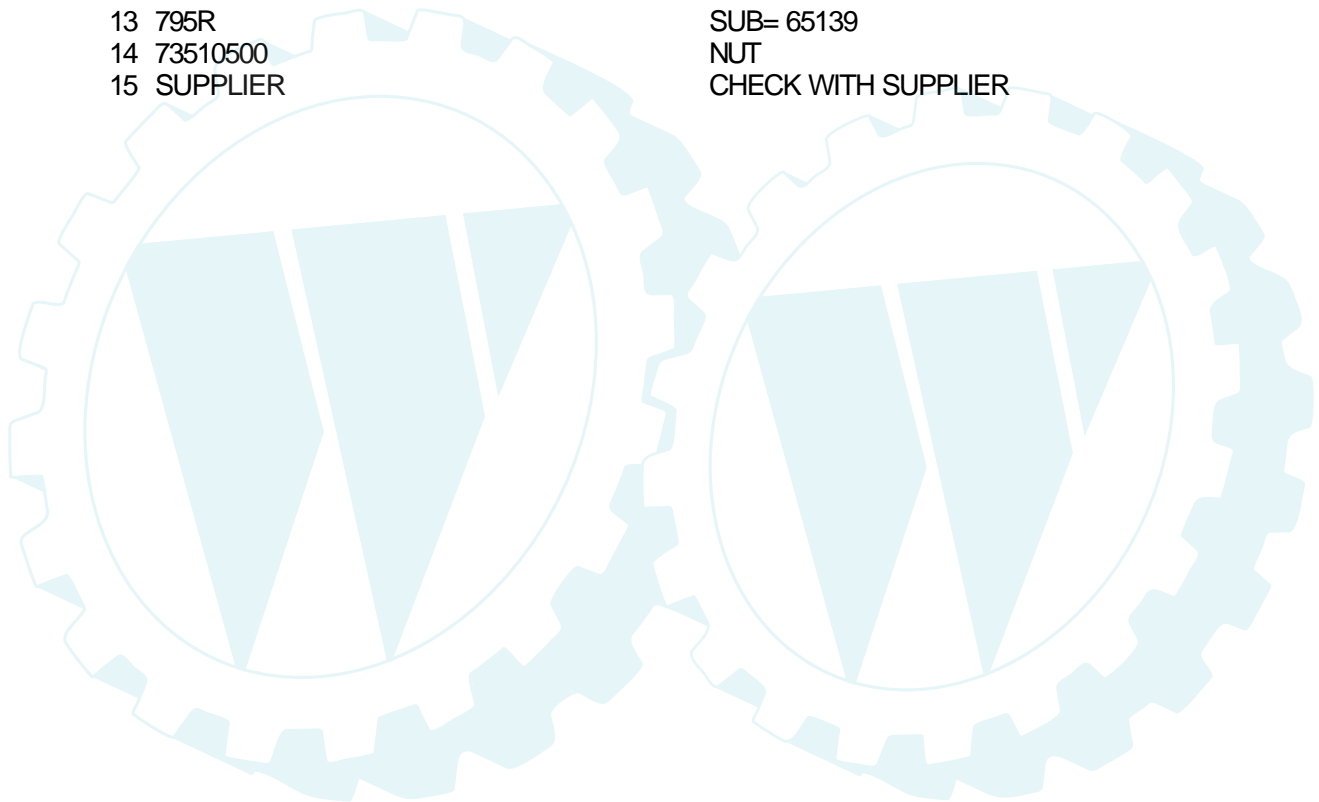


Ref #	Part Number	Qty	Description
1	73220500		NUT.HEX.5/16-18
2	10040600		LOCKWASHER
3	73220600		NUT.HEX.3/8-16UNC
4	170127		SHIELD
5	154734		"SCREW-LEVER,SHI"
6	110111X		LEVER ASM CRT
7	72110404		BOLT
8	8700J		PANEL TI
9	86777		SUB= 750097
10	9484R		CONDIUT CLIP T
11	10040400		LOCKWASHER
12	73220400		SUB= 50675
13	23230506		SET SCREW
14	156117		SPACER-SPLIT
15	19111116		WASHER
16	145102		SHEAVE.TRANS.
19	12000028		SUB= 2267J
21	110652X		SPACER CRT
22	74770508		BOLT.FIN.HX.5/16-24X1/2
23	5015J		TIRE TI
23	128952		RIM
23	795R		SUB= 65139
24	126875X		RIVET.DRILL.1.75
25	4497H		RETAINER M
26	165501X550		GUARD.BELT
27	132801		BELT-V
28	104679X		PULLEY-IDLER TI
29	12000032		KLIP RING
30	159229		BRACKET ASM IDLER
31	102384X		BOLT CRT
32	102141X		SHIFT ARM CRT
33	74760616		BOLT
34	102383X		COUNTERWEIGHT CRT
35	74760524		BOLT.HEX.5/16-1.5
36	102331X		BRACKET LH CRT
37	130812		ENGINE PULLEY
38	74760544		SUB= 74780544
39	140062		CAP PLUNGER BLACK
40	170488		SCREW
44	73800500		NUT

### TILLER - - MODEL NUMBER WERX500C MAINFRAME, RIGHT SIDE



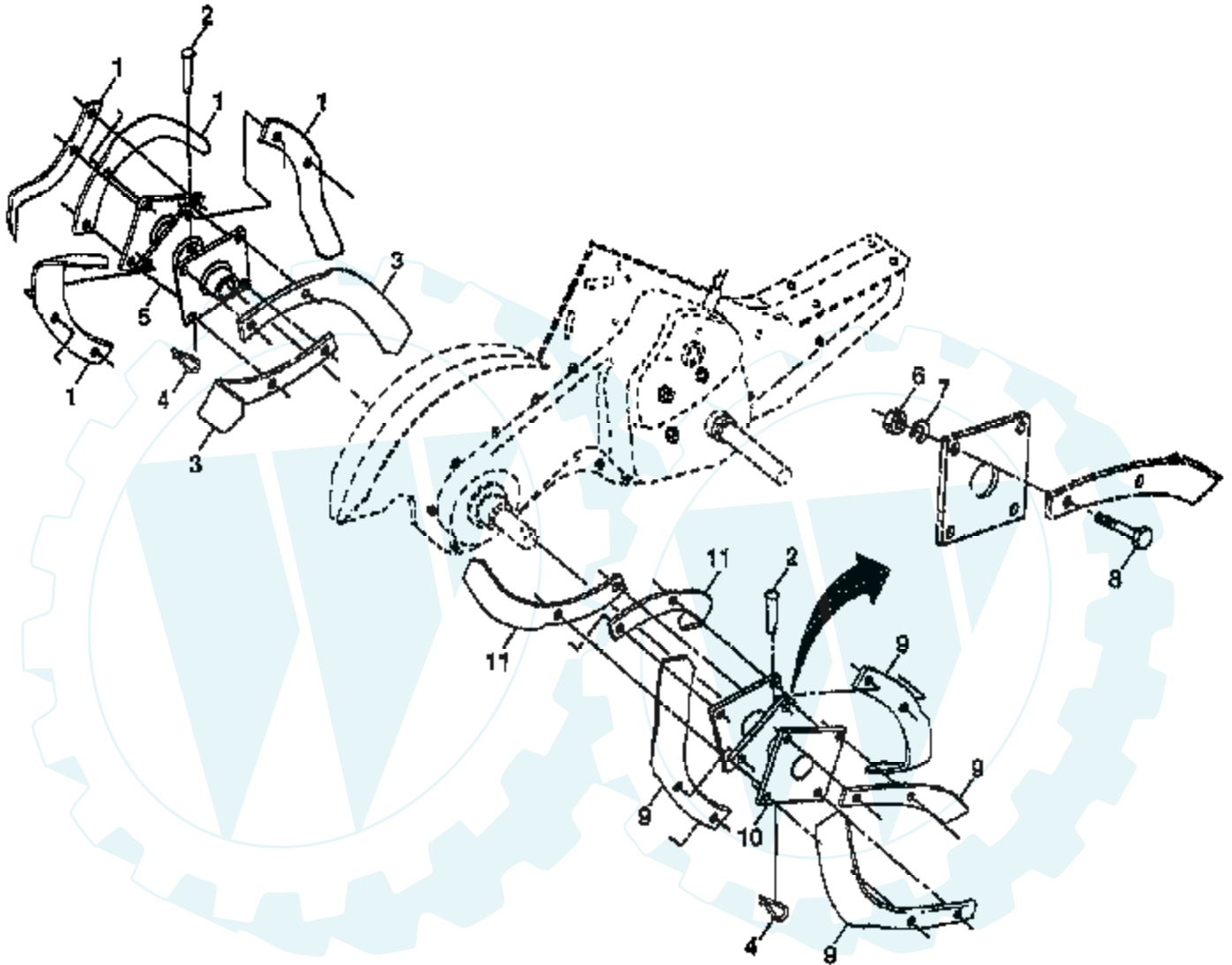
Ref #	Part Number	Qty	Description
1	166532		BUMPER ASM.TILLER
2	73970500		LOCKNUT TI
3	19111116		WASHER
4	74760512		BOLT
5	102332X		BRACKET RH CRT
6	74760532		BOLT
7	102173X		COUNTERWEIGHT CRT
8	10040600		LOCKWASHER
9	73220600		NUT.HEX.3/8-16UNC
10	74760524		BOLT.HEX.5/16-1.5
11	4497H		RETAINER M
12	126875X		RIVET.DRILL.1.75
13	5015J		TIRE TI
13	128952		RIM
13	795R		SUB= 65139
14	73510500		NUT
15	SUPPLIER		CHECK WITH SUPPLIER





## TILLER - - MODEL NUMBER WERX500C

### TINE ASSEMBLY

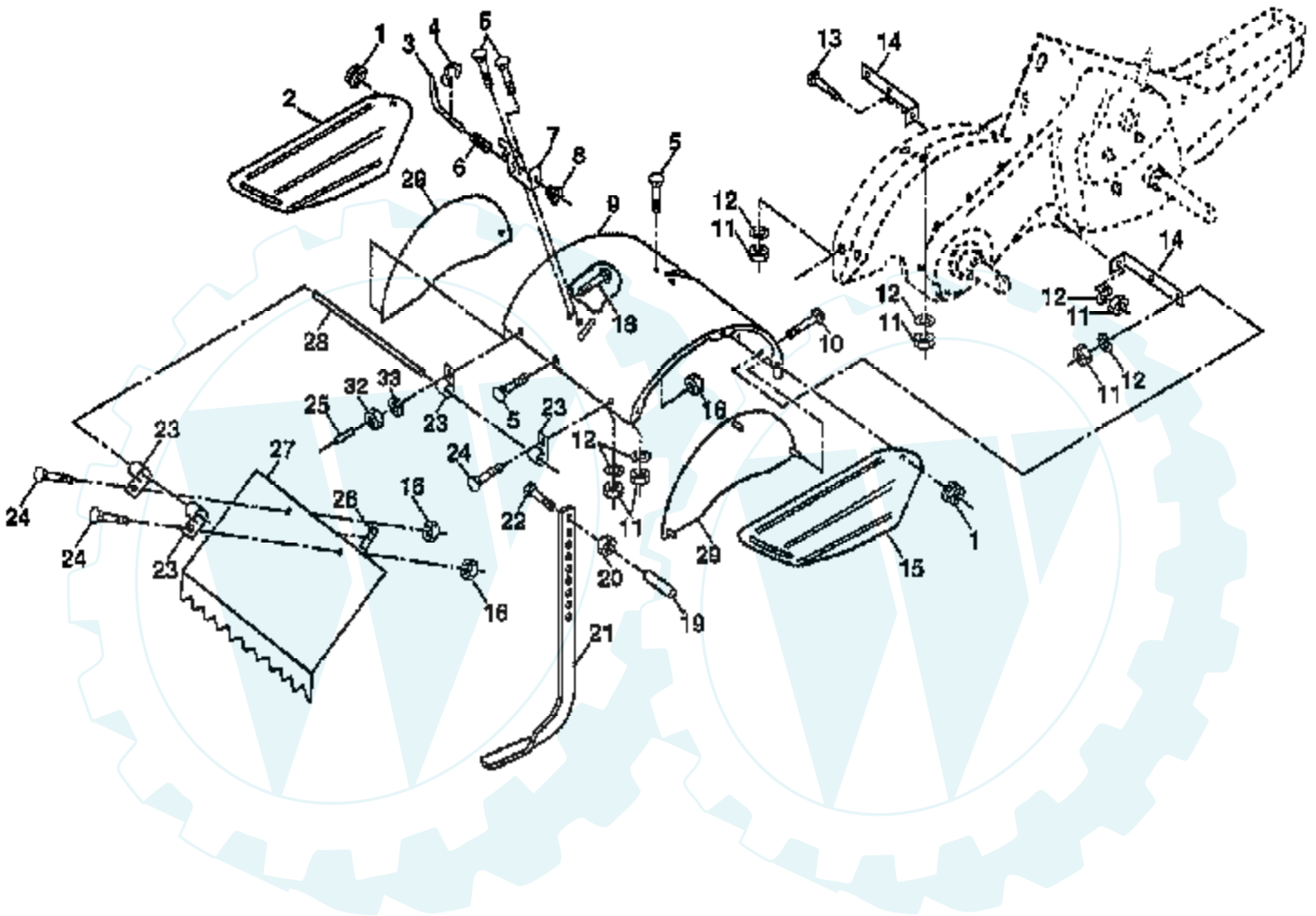


Ref #	Part Number	Qty	Description
1	4459J		SUB= 6554J
2	132673		PIN.CLEVIS.SHEAR
3	6554J		"TINE.LH.12""
4	3146R		RETAINER.SPRING
5	132727		HUB&PLATE ASM LH
6	73610600		SUB= 7810H
7	10040600		LOCKWASHER
8	74610616		BOLT
9	4460J		SUB= 6555J
10	132728		HUB&PLATE ASM RH
11	6555J		"TINE.RH.12""



## TILLER - - MODEL NUMBER WERX500C

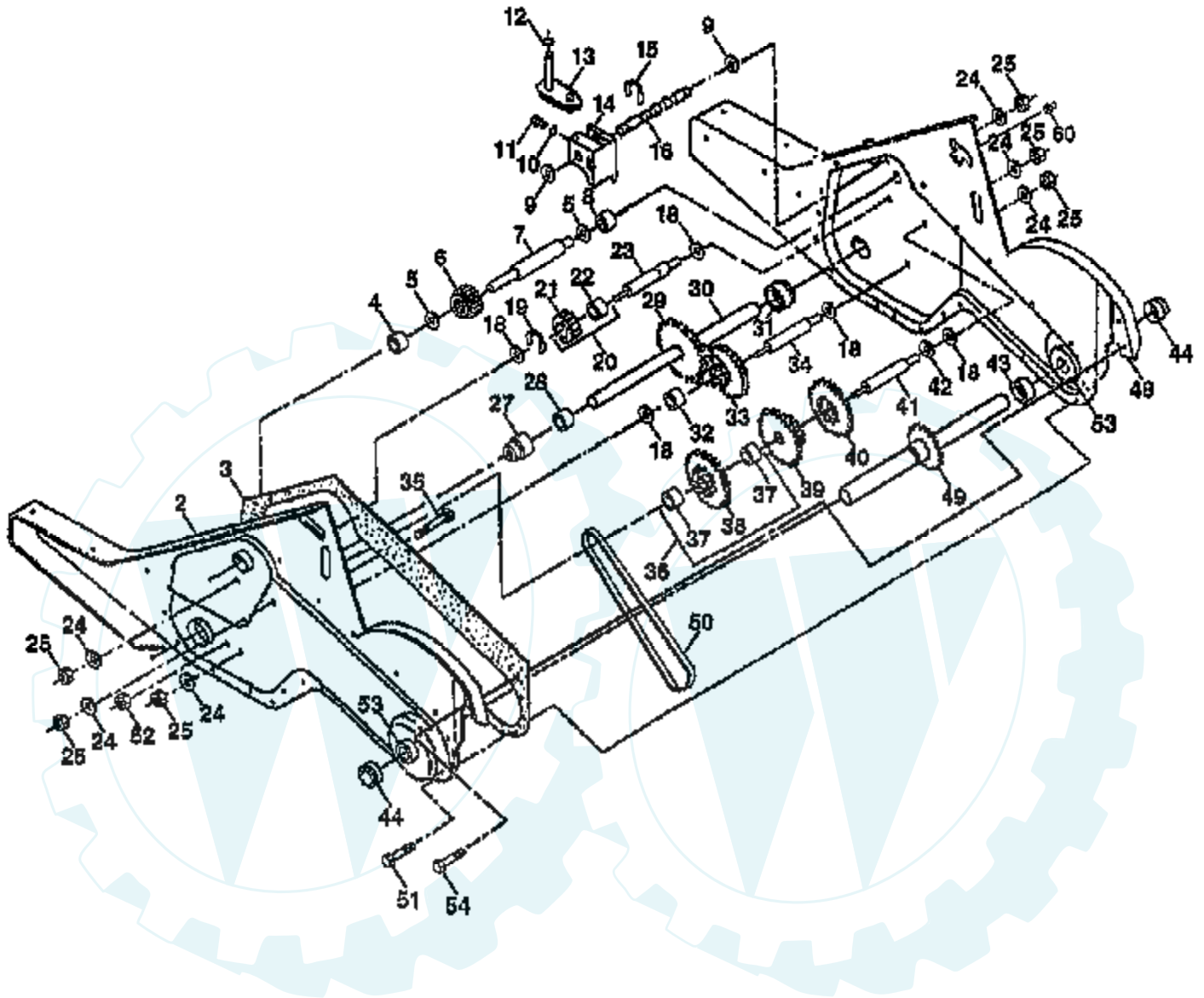
### TINE SHIELD



Ref #	Part Number	Qty	Description
1	73900500		"NUT HEX,LOCK,FLAN"
2	161415X550		SHIELD.SIDE.OUTER.LH
3	8393J		STAKE PIN TI
4	12000036		KLIP RING TI
5	72140506		BOLT
6	8394J		SPRING TI
7	8392J		LATCH BRACKET TI
8	109230X		SPRING CRT
9	124289X550		SHIELD.TINE
10	72140508		BOLT
11	73220500		NUT.HEX.5/16-18
12	10040500		LOCKWASHER
13	72110510		BOLT
14	124311X		"BRACKET,SHIELD"
15	161414X550		SHIELD.SIDE.OUTER.RH
16	73900400		NUT T
18	72040410		BOLT
19	102701X		GRIP CRT
20	73220600		NUT.HEX.3/8-16UNC
21	102156X		SUB= 102156X500
22	74930632		BOLT
23	4440J		HINGE CRT
24	72140404		BOLT
25	6712J		VINYL CAP TI
26	109227X		PAD IDLER TI
27	102695X550		SHIELD.LEVELING
28	120588X		PIN HINGE
29	124309X550		SHIELD.TINE
30	73970500		LOCKNUT TI
32	73220400		SUB= 50675
33	10040400		LOCKWASHER

### TILLER - - MODEL NUMBER WERX500C

### TRANSMISSION



Ref #	Part Number	Qty	Description
1	170337		TRANSMISSION ASSY
2	165729		GEARCASE LH W/BEARING
3	161963		GASKET.GEARCASE
4	5020J		NEEDLE BRNG LT
5	1370H		"T, BEARING"
6	137335		GEAR PINION INPUT
7	145101		"SHAFT.INPUT."D""
8	4895H		"TI, BEARING"
9	154467		WASHER SEAL
10	7392M		SUB= 100482K
11	100371K		SPRING-SHIFT CRT
12	106160X		O-RING TI
13	142145		BRACKET ASM SHIFT
14	8353J		SHIFT FORK TI
15	12000039		KLIP RING
16	154466		SHAFT.SHIFTER
18	4358J		WASHER
19	12000040		KLIP RING
20	102114X		GEAR ASSY CRT
21	102115X		GEAR-REV IDLR CRT
22	6803J		NEEDLE BEARING TI
23	102111X		SHAFT CRT
24	10040700		LOCKWASHER
25	73610700		NUT.ASF.HEX.7/16
27	143009		BEARING.SHAFT.LH.
28	106390X		BUSHING TI
29	102134X		CHAIN CRT
30	150737		GROUND SHAFT ASSY
31	143008		BEARING.SHAFT.RH.
32	106388X		SPACER TI
33	102121X		SPRCKT 8 GEAR CRT
34	102112X		SHFT 2ND RED. CRT
35	102101X		SCRW WHIZ LOK CRT
36	154355		SPROCKET.ASM.W/BR
37	4422J		BEARING
38	154356		SUB= 154355
39	105345X		GEAR TI
40	105346X		GEAR TI
41	8358J		REDUCTION SHFT TI
42	4220R		BRNG RACE
43	165732		GEARCASE RH W/BEARING
44	155236		SEAL ASM-OIL
48	170338		GEARCASE W/BEARING
49	132688		TINE SHAFT
50	106147X		CHAIN.50 LINK TI
51	17720408		SCREW
52	73220500		NUT.HEX.5/16-18
53	165140		KIT.BEARING
54	17720412		SCREW 1/4-20X3/4
60	6855M		ZERK M
	6066J		GREASE PREMIUM-1