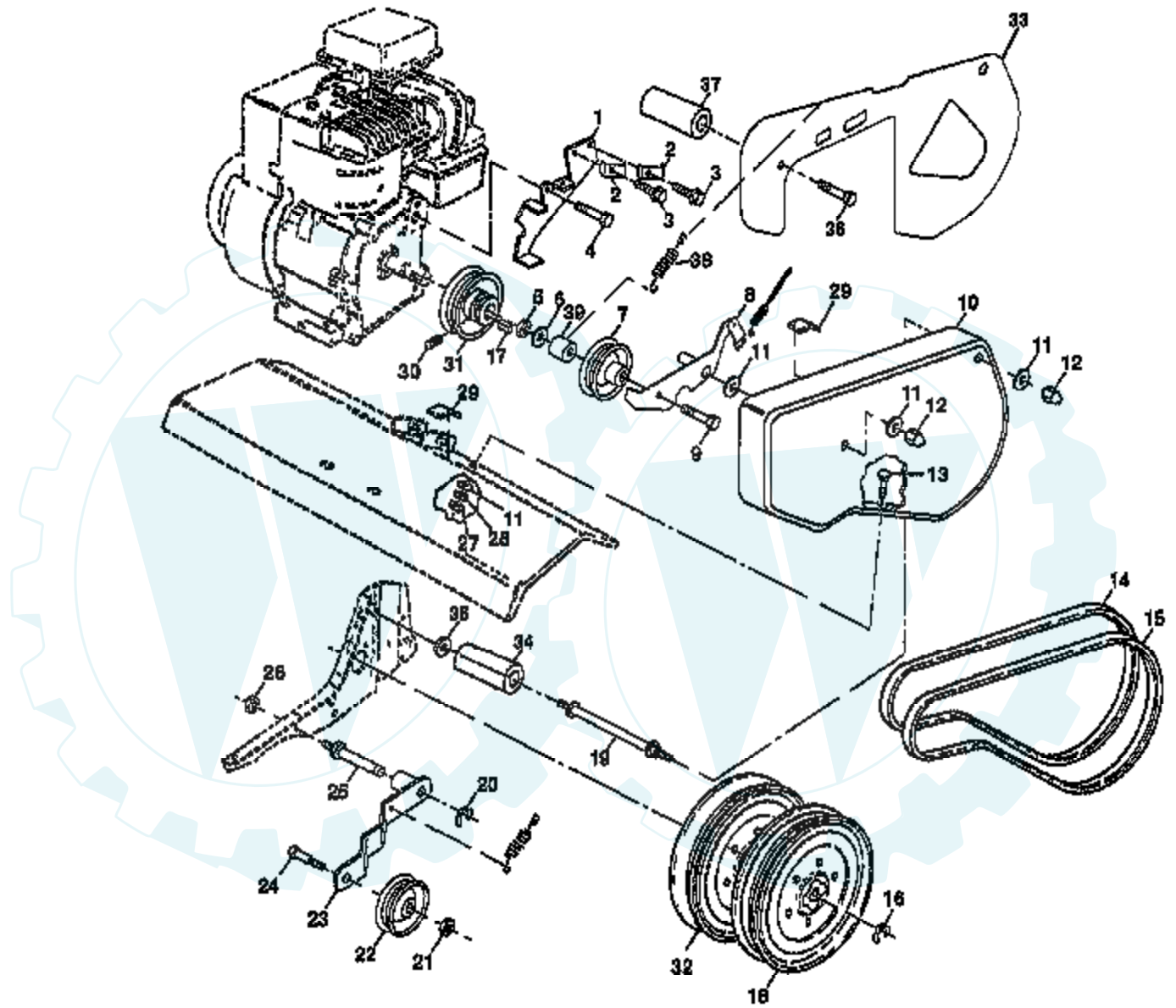


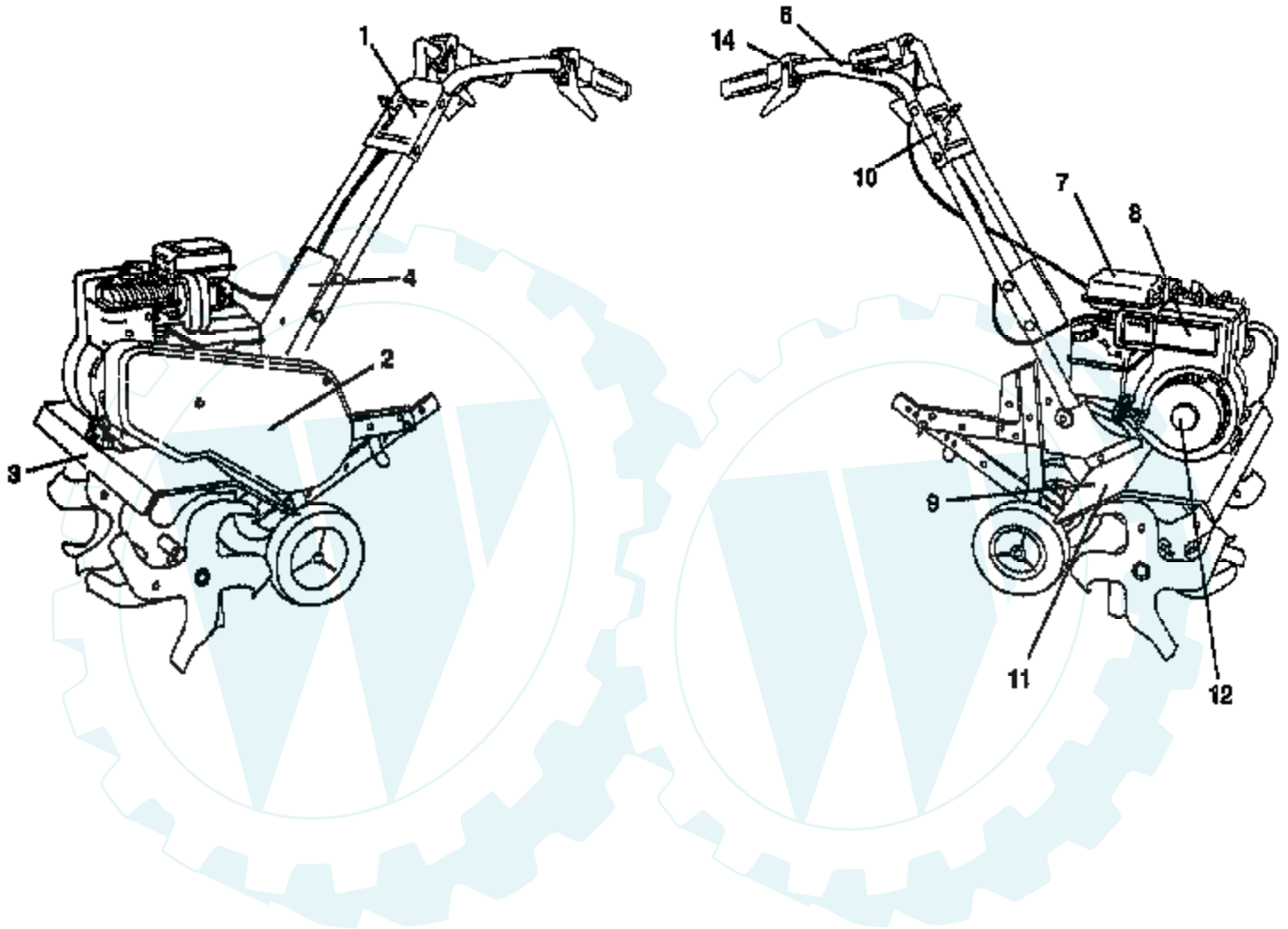
TILLER - - MODEL NUMBER WEFX550E BELT GUARD AND PULLEY ASSEMBLY



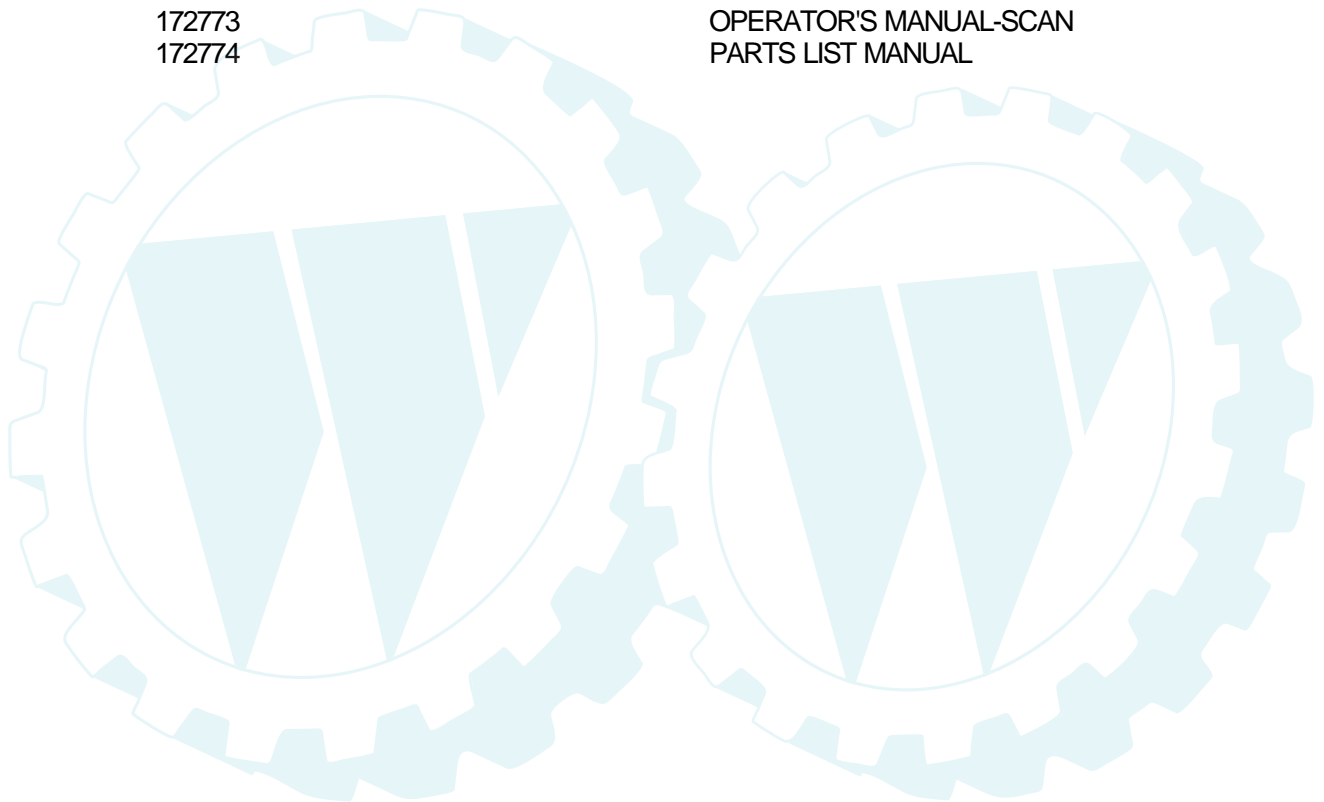
Ref #	Part Number	Qty	Description
1	166013		ASSY.BRKT.BELT GUARD
2	9484R		CONDIUT CLIP T
3	86777		SUB= 750097
4	74610812		BOLT.HEX.HEAD
5	73660600		NUTLOCK 3/8-16
6	19131316		WASHER
7	2009J		PULLEY W/SPACER
8	159238		ASSY ARM REV.IDLR
9	74760628		BOLT
10	156705X550		"GUARD,BELT"
11	19091016		WASHER
12	104213X		NUT-CAP TI
13	72140405		BOLT T
14	133035		BELT-V
15	2614J		SUB= TH3H440
16	12000028		SUB= 2267J
17	2649M		KEY T
18	151223		SHEAVE.TRANS
19	110550X		BOLT TI
20	12000036		KLIP RING TI
21	73350600		NUT
22	161806		"PULLEY,IDLER"
23	162290		"ARM, IDLER"
24	74760620		SUB= 74780620
25	106968X		SHAFT IDLER TI
26	73350500		JAM NUT TI
27	73220400		SUB= 50675
28	10040400		LOCKWASHER
29	109227X		PAD IDLER TI
30	23200404		SET SCREW
31	101189L		ENGINE PULLEY TI
32	151236		"SHEAVE,TRANS."D""
33	159234		"SHIELD,BELT GUARD"
34	156141		SPACER.SPLIT
35	19091416		WASHER
36	74330516		BOLT.5/16X24X1
37	156118		SPACER.SPLIT
38	128085		"SPRING,EXT"
39	138909		SPACER.500X384X23

TILLER - - MODEL NUMBER WEFX550E

DECALS

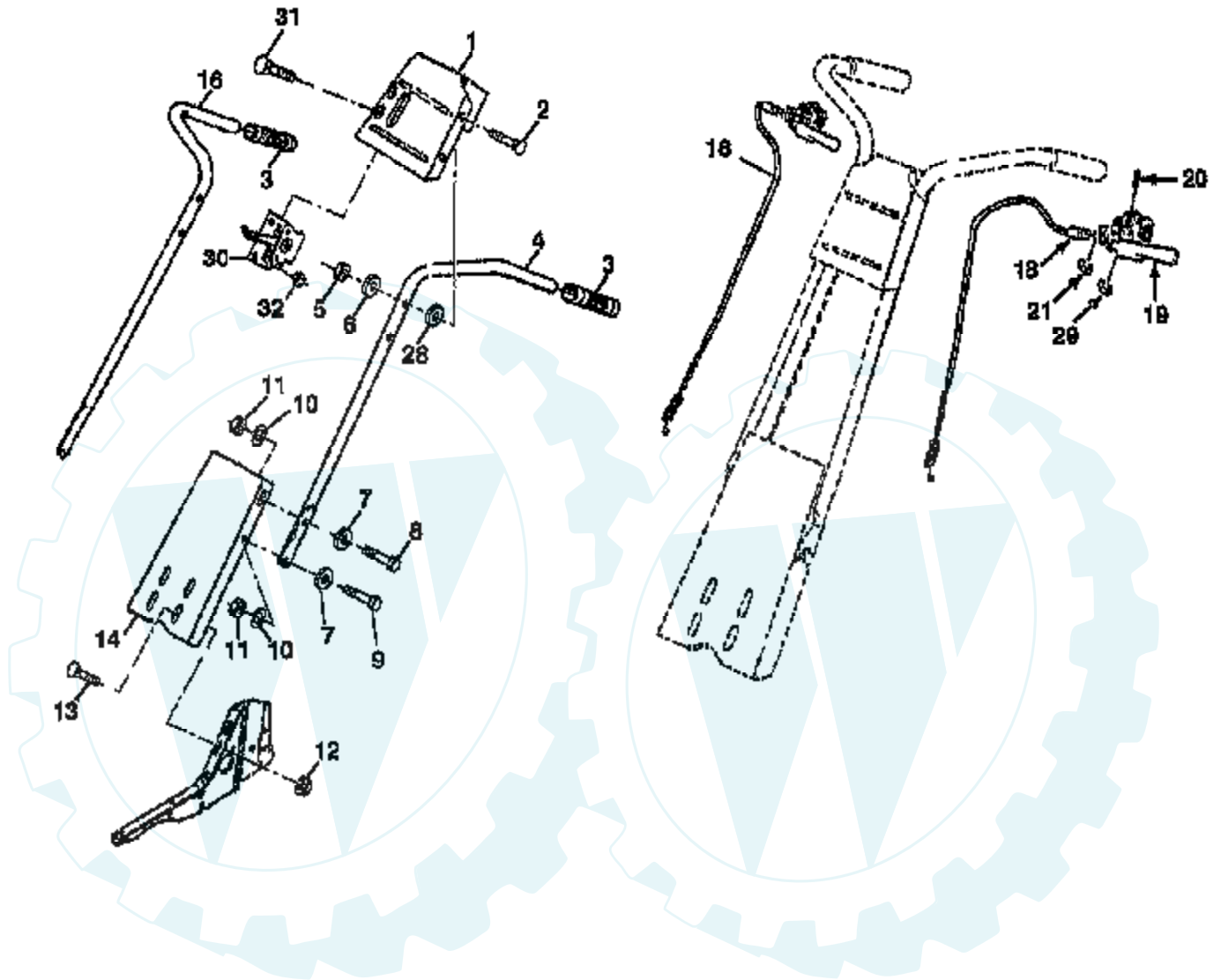


Ref #	Part Number	Qty	Description
1	162413		DECAL.LOGO.CONTROL
2	162789		DECAL.LOGO
3	162416		DECAL.DESCRPTION
4	162414		DECAL.HP.REVERSE
6	159877		DECAL-PLACEMENT
7	110612X		DECAL TI
8	171804		DECAL
9	156129		DECAL-WARNING
10	157607		"DECAL CONTROL,PNL"
11	145437		DECAL.EURO.ST.CE.
12	171803		DECAL
13	158700		DECAL.CONTROL FOR
14	158701		DECAL.CONTROL.REV
	172772		OPERATOR'S MANUAL-EURO
	172773		OPERATOR'S MANUAL-SCAN
	172774		PARTS LIST MANUAL

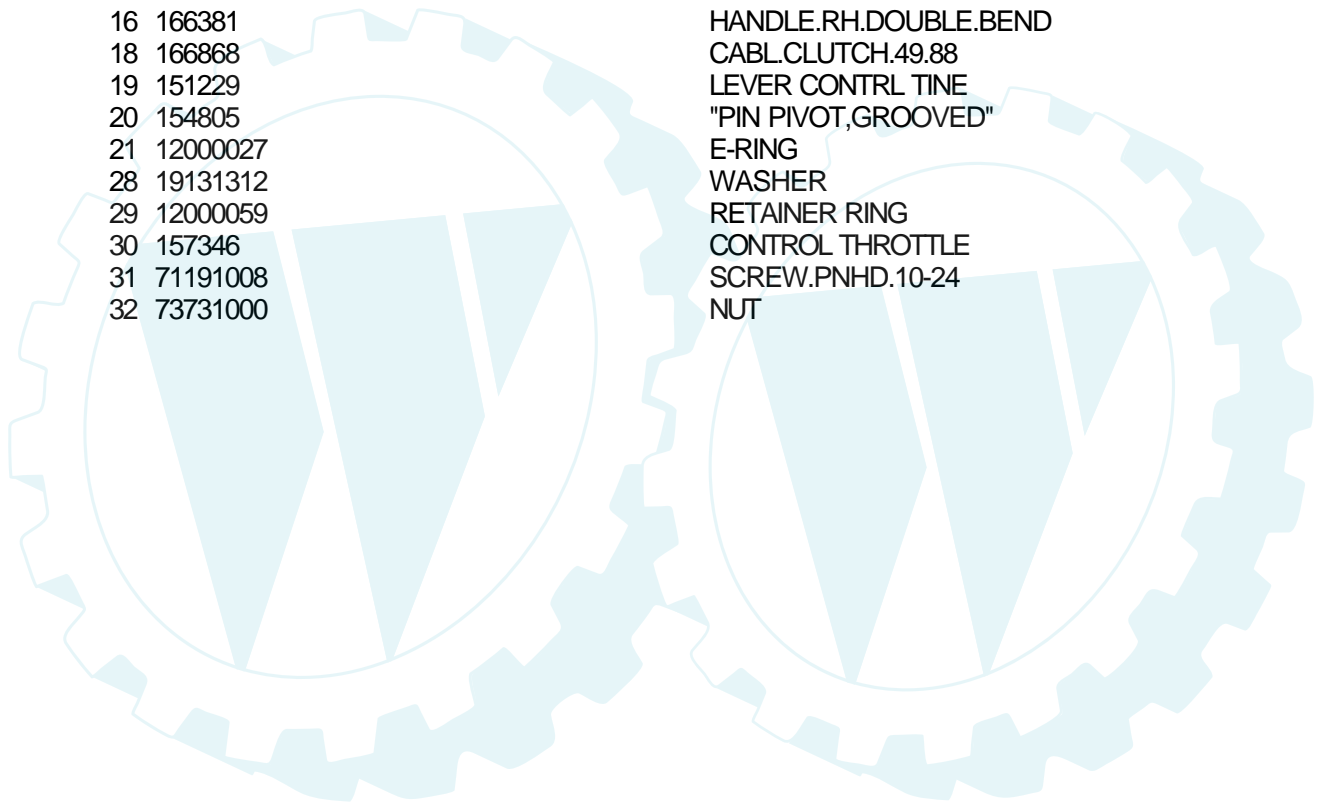


TILLER - - MODEL NUMBER WEFX550E

HANDLE ASSEMBLY

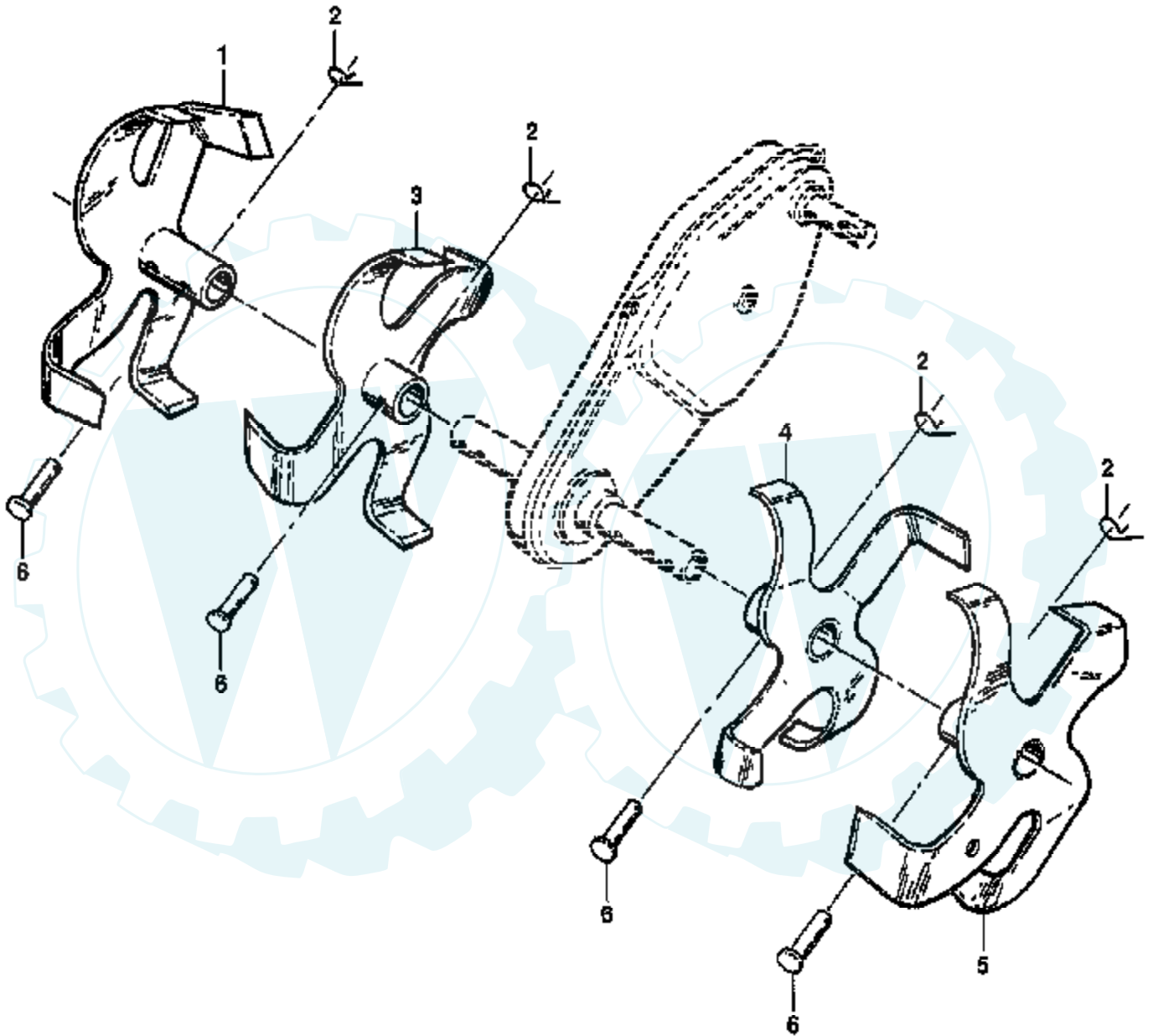


Ref #	Part Number	Qty	Description
1	127046X550		BRKT HANDLE
2	72140512		BOLT
3	9266R		SUB= 624A78
4	166376		HANDLE.LH
5	73680500		SUB= 73690500
6	19111116		WASHER
7	19121414		WASHER
8	74760516		SUB= 77394
9	74760512		BOLT
10	10040500		LOCKWASHER
11	73220500		NUT.HEX.5/16-18
12	98000129		NUT
13	72140506		BOLT
14	2626J550		PANEL.HANDLE
16	166381		HANDLE.RH.DOUBLE.BEND
18	166868		CABL.CLUTCH.49.88
19	151229		LEVER CONTRL TINE
20	154805		"PIN PIVOT,GROOVED"
21	12000027		E-RING
28	19131312		WASHER
29	12000059		RETAINER RING
30	157346		CONTROL THROTTLE
31	71191008		SCREW.PNHD.10-24
32	73731000		NUT



TILLER - - MODEL NUMBER WEFX550E

TINE ASSEMBLY

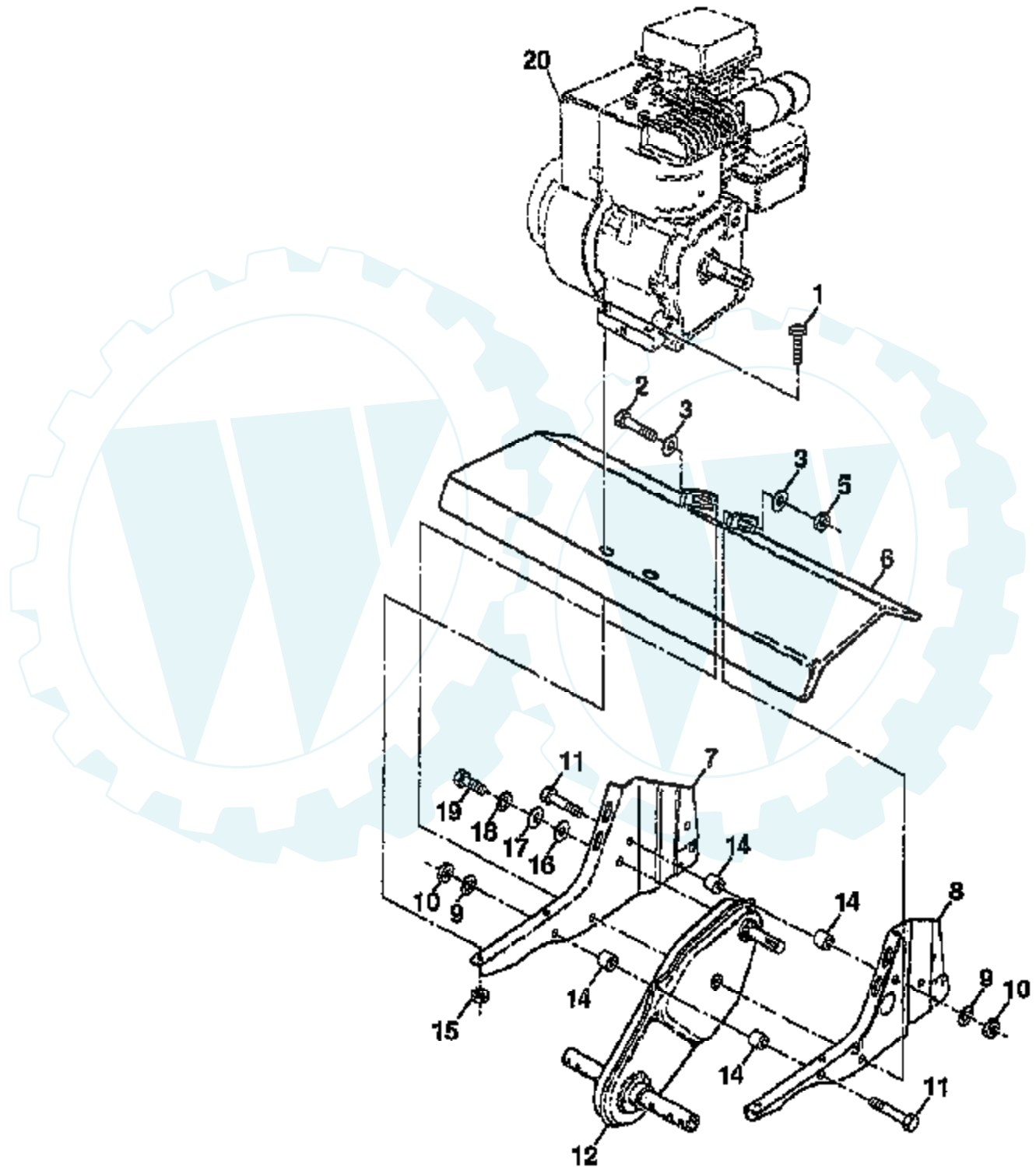


Ref #	Part Number	Qty	Description
1	156926		"TINE ASM OUTER,RH"
2	3146R		RETAINER.SPRING
3	156924		"TINE ASM INNER,RH"
4	156923		TINE ASM INNER LH
5	156925		"TINE ASM OUTER,LH"
6	4929H		RIVET.PAN HD.1.75

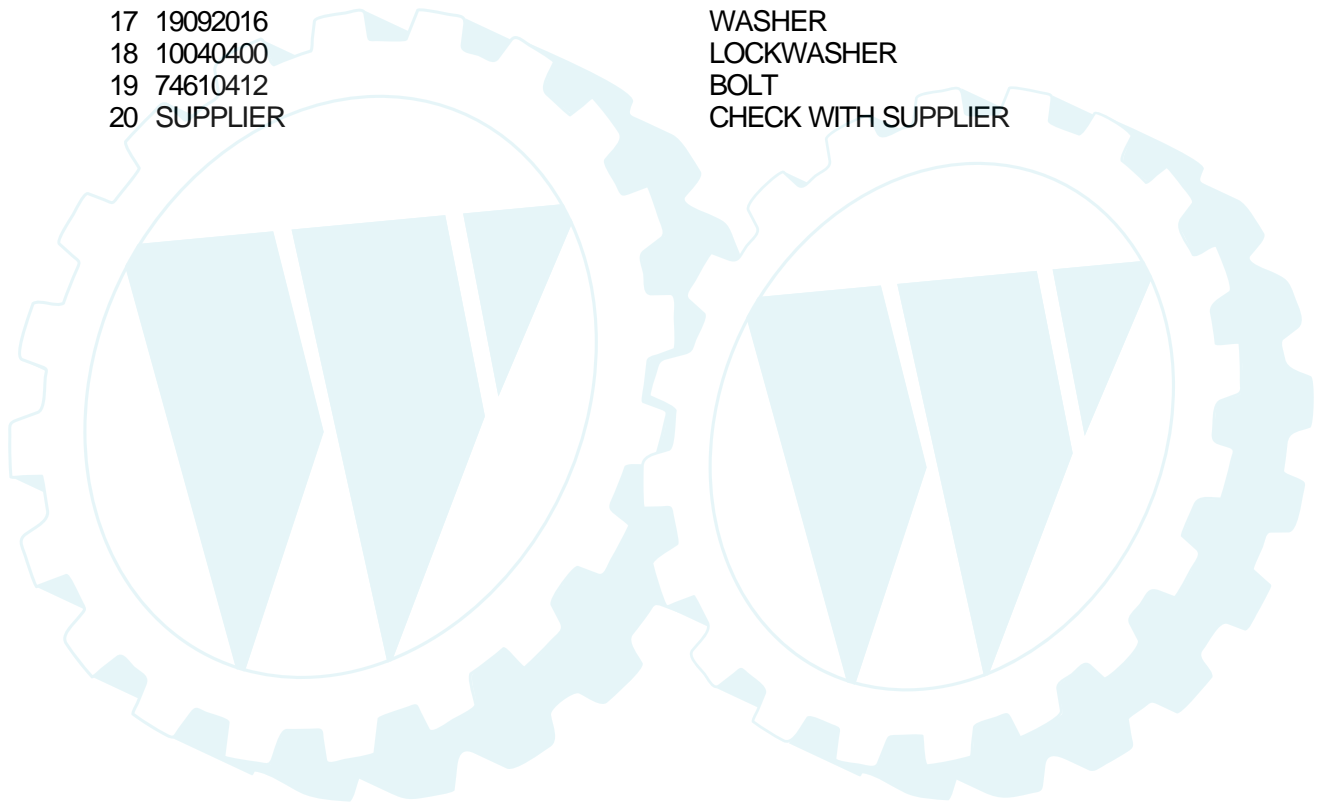


TILLER - - MODEL NUMBER WEFX550E

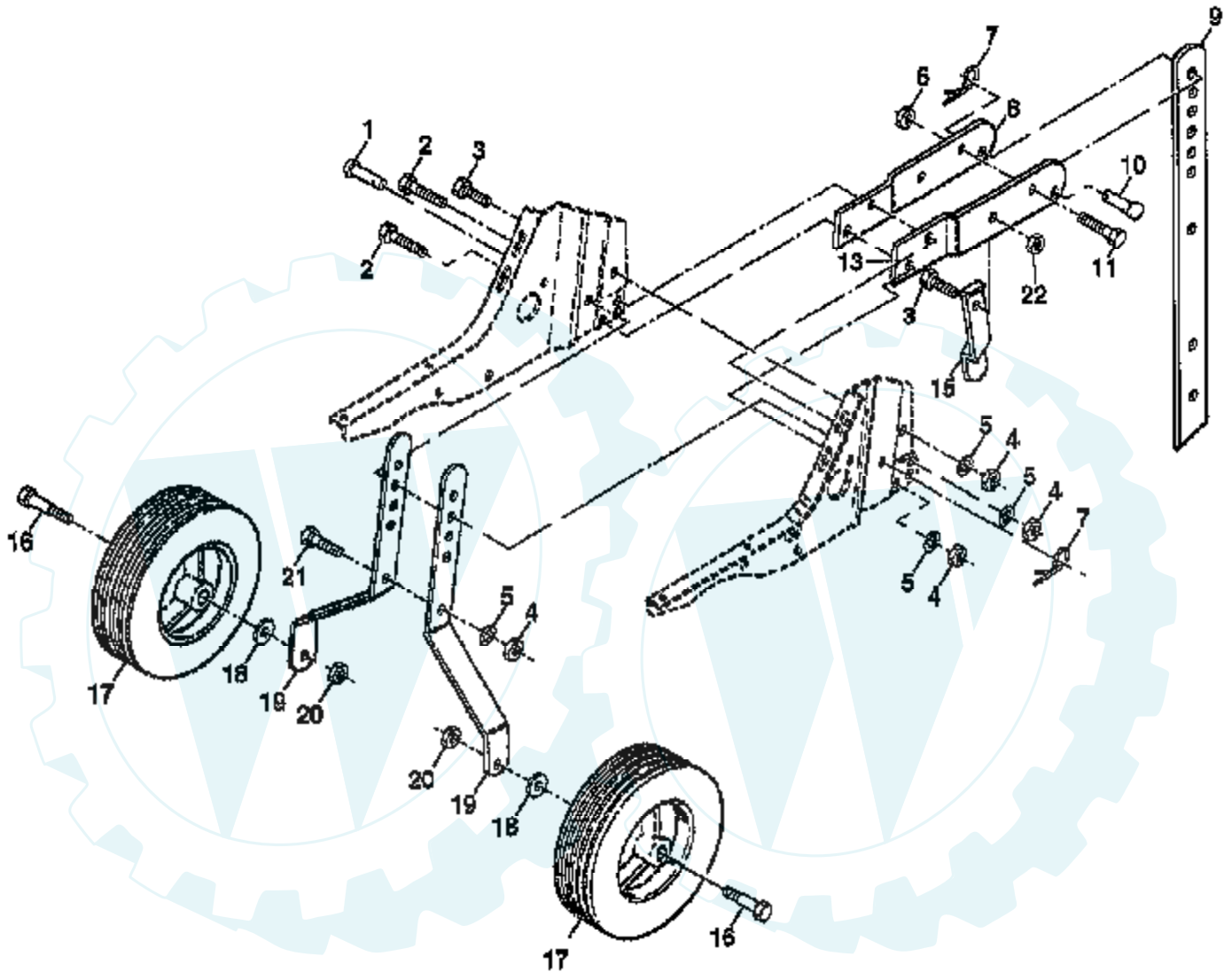
TRANSMISSION



Ref #	Part Number	Qty	Description
1	74760524		BOLT.HEX.5/16-1.5
2	74780652		BOLT HEX 3/8-16
3	19131311		WASHER
5	73800600		NUT
6	9057R550		SHIELD.TINE
7	165835		BRACKET.ENGINE.RH
8	1948J		ENGINE BRKT LH TI
9	10040500		LOCKWASHER
10	73220500		NUT.HEX.5/16-18
11	74760544		SUB= 74780544
12	151222		SUB= 165808
14	9173R		SPLIT SPACER RT
15	73510500		NUT
16	19091412		WASHER
17	19092016		WASHER
18	10040400		LOCKWASHER
19	74610412		BOLT
20	SUPPLIER		CHECK WITH SUPPLIER



TILLER - - MODEL NUMBER WEFX550E WHEEL AND DEPTH STAKE ASSEMBLY



Ref #	Part Number	Qty	Description
1	9194R		DRILLED RIVET RT
2	74760520		BOLT
3	74760512		BOLT
4	73220500		NUT.HEX.5/16-18
5	10040500		LOCKWASHER
6	73800600		NUT
7	4921H		SPRING.RETAINER
8	1952J		SUB= 1952J500
9	122233X		SUB= 2582J
10	326J		SUB= 4929H
11	74780628		BOLT
13	1951J		SUB= 1951J500
15	5388J		STAKE SPRING TI
16	121117X		BOLT SHOULDER
17	9188R		SUB= 107644X
18	19131311		WASHER
19	9190R		SUB= 9190R500
20	73680600		SUB= 73690600
21	74760516		SUB= 77394
22	73800500		NUT

