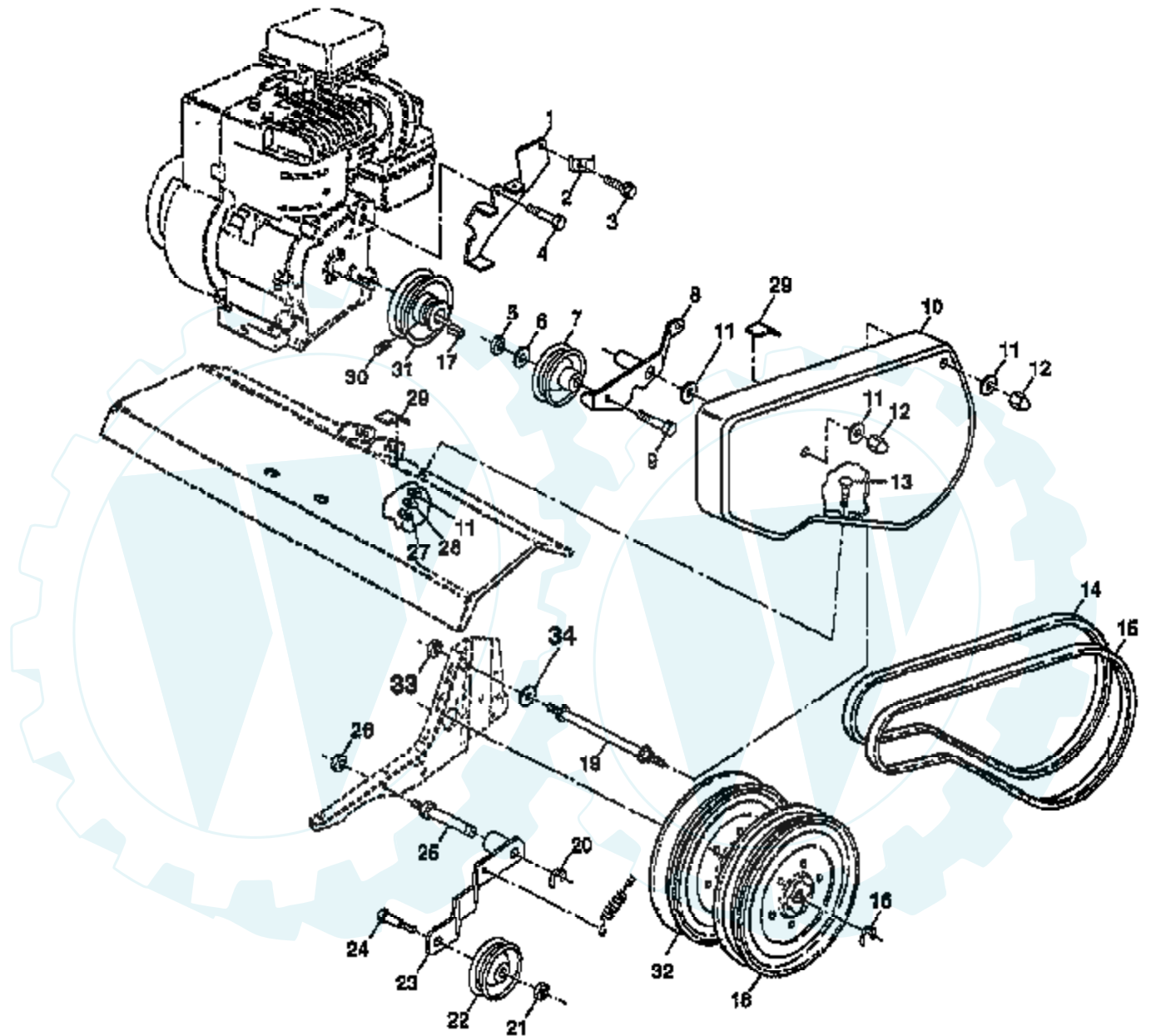


TILLER - - MODEL NUMBER WEF550L BELT GUARD AND PULLEY ASSEMBLY

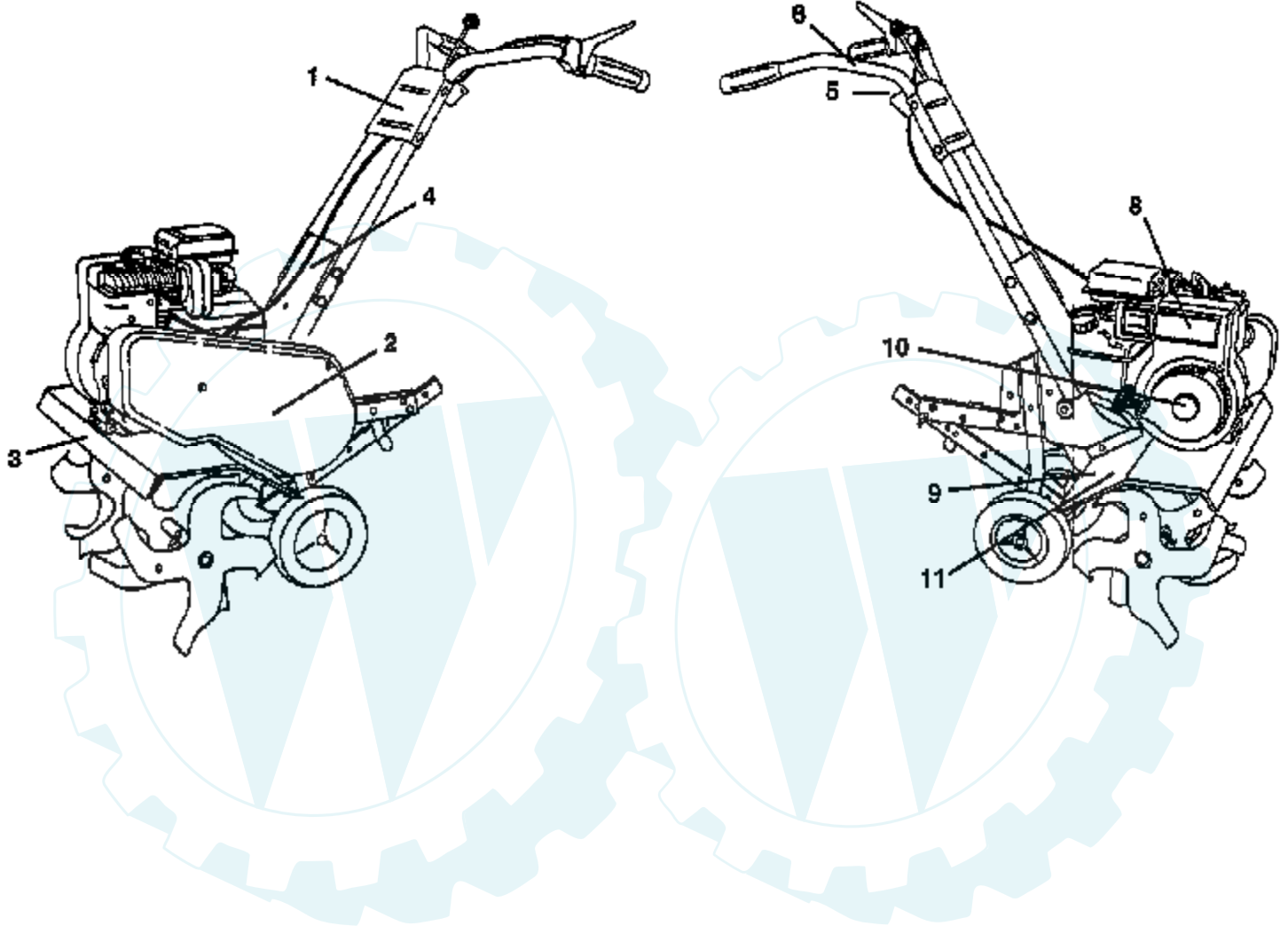


NOTE: All component dimensions given in U.S. inches.
1 inch = 25.4 mm

| Ref # | Part Number | Qty | Description |
|-------|-------------|-----|----------------------|
| 1 | 166013 | | ASSY.BRKT.BELT GUARD |
| 2 | 9484R | | CONDIUT CLIP T |
| 3 | 86777 | | SUB= 750097 |
| 4 | 74610812 | | BOLT.HEX.HEAD |
| 5 | 73220600 | | NUT.HEX.3/8-16UNC |
| 6 | 19131316 | | WASHER |
| 7 | 2009J | | PULLEY W/SPACER |
| 8 | 127180X | | ARM.ASM.REV.IDLER |
| 9 | 74760628 | | BOLT |
| 10 | 156705X550 | | "GUARD,BELT" |
| 11 | 19091016 | | WASHER |
| 12 | 104213X | | NUT-CAP TI |
| 13 | 72140406 | | BOLT T |
| 14 | 133035 | | BELT-V |
| 15 | 2614J | | SUB= TH3H440 |
| 16 | 12000028 | | SUB= 2267J |
| 17 | 2649M | | KEY T |
| 18 | 151236 | | "SHEAVE,TRANS."D"" |
| 19 | 110550X | | BOLT TI |
| 20 | 12000036 | | KLIP RING TI |
| 21 | 73350600 | | NUT |
| 22 | 161806 | | "PULLEY,IDLER" |
| 23 | 162290 | | "ARM, IDLER" |
| 24 | 74760620 | | SUB= 74780620 |
| 25 | 106968X | | SHAFT IDLER TI |
| 26 | 73350500 | | JAM NUT TI |
| 27 | 73220400 | | SUB= 50675 |
| 28 | 10040400 | | LOCKWASHER |
| 29 | 109227X | | PAD IDLER TI |
| 30 | 23200404 | | SET SCREW |
| 31 | 101189L | | ENGINE PULLEY TI |
| 32 | 151223 | | SHEAVE.TRANS |
| 33 | 73510400 | | NUT |
| 34 | 19091416 | | WASHER |

TILLER - - MODEL NUMBER WEF550L

DECALS

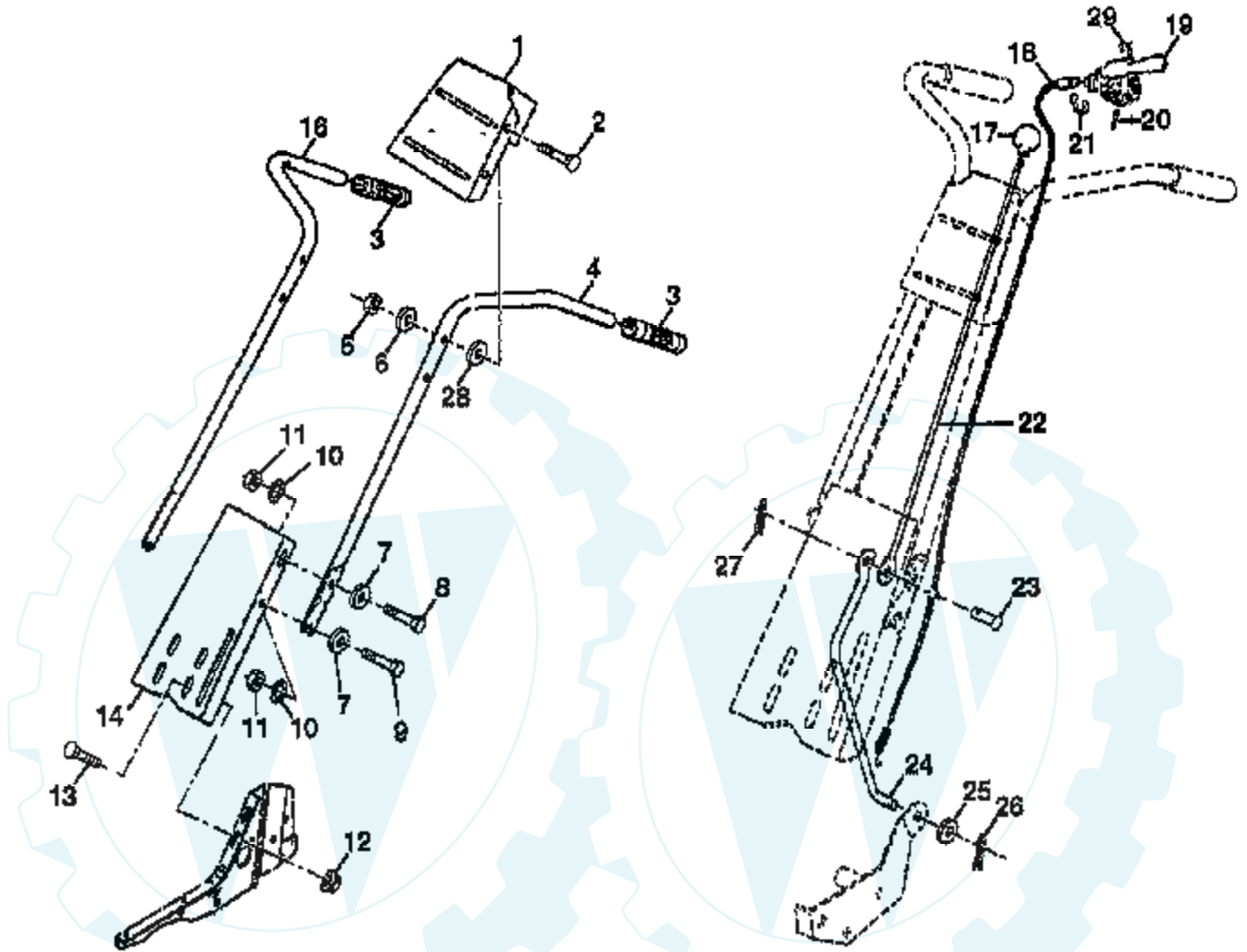


| Ref # | Part Number | Qty | Description |
|-------|-------------|-----|--------------------|
| 1 | 162413 | | DECAL.LOGO.CONTROL |
| 2 | 162789 | | DECAL.LOGO |
| 3 | 162416 | | DECAL.DESCRPTION |
| 4 | 162414 | | DECAL.HP.REVERSE |
| 5 | 121753X | | DECAL REVERSE |
| 6 | 110614X | | DECAL TI |
| 8 | 165266 | | SUB= 271948 |
| 9 | 120076X | | SUB= 120075X |
| 10 | 165278 | | SUB= 273721 |
| 11 | 162384 | | DECAL.CAUTION |
| | 168132 | | MANUAL, OWNER'S |
| | 168133 | | MANUAL, OWNER'S |



TILLER - - MODEL NUMBER WEF550L

HANDLE ASSEMBLY

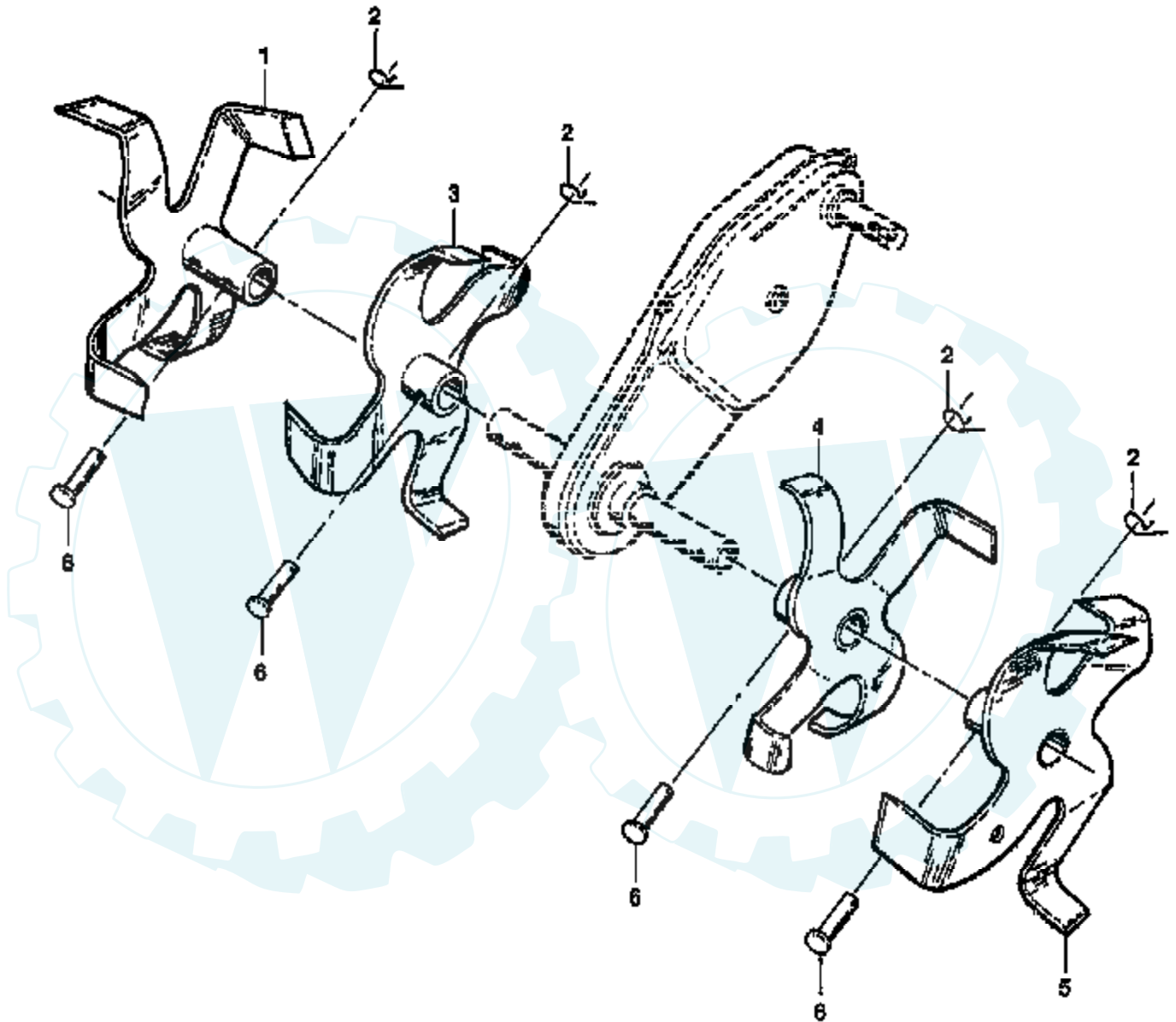


NOTE: All component dimensions are given in U.S. inches.
1 inch = 25.4 mm

| Ref # | Part Number | Qty | Description |
|-------|-------------|-----|----------------------|
| 1 | 131268X550 | | BRACKET.HDLE.TILL |
| 2 | 72140512 | | BOLT |
| 3 | 9266R | | SUB= 624A78 |
| 4 | 166376 | | HANDLE.LH |
| 5 | 73680500 | | SUB= 73690500 |
| 6 | 19111116 | | WASHER |
| 7 | 19121414 | | WASHER |
| 8 | 74760516 | | SUB= 77394 |
| 9 | 74760512 | | BOLT |
| 10 | 10040500 | | LOCKWASHER |
| 11 | 73220500 | | NUT.HEX.5/16-18 |
| 12 | 98000129 | | NUT |
| 13 | 72140506 | | BOLT |
| 14 | 674A150550 | | PANEL.HANDLE.PNT. |
| 16 | 166377 | | HANDLE.RH |
| 17 | 106932X | | KNOB T(3/8 HOLE) |
| 18 | 166868 | | CABL.CLUTCH.49.88 |
| 19 | 151229 | | LEVER CONTRL TINE |
| 20 | 154805 | | "PIN PIVOT,GROOVED" |
| 21 | 12000027 | | E-RING |
| 22 | 167692 | | ROD.REVERSE.UPPER.22 |
| 23 | 1778E | | RIVET.RD.HD.DRILL |
| 24 | 2613J | | REVERSE ROD TI |
| 25 | 19131316 | | WASHER |
| 26 | 76020412 | | COTTER PIN |
| 27 | 76020308 | | SUB= 3145 |
| 28 | 19131312 | | WASHER |
| 29 | 12000059 | | RETAINER RING |

TILLER - - MODEL NUMBER WEF550L

TINE ASSEMBLY

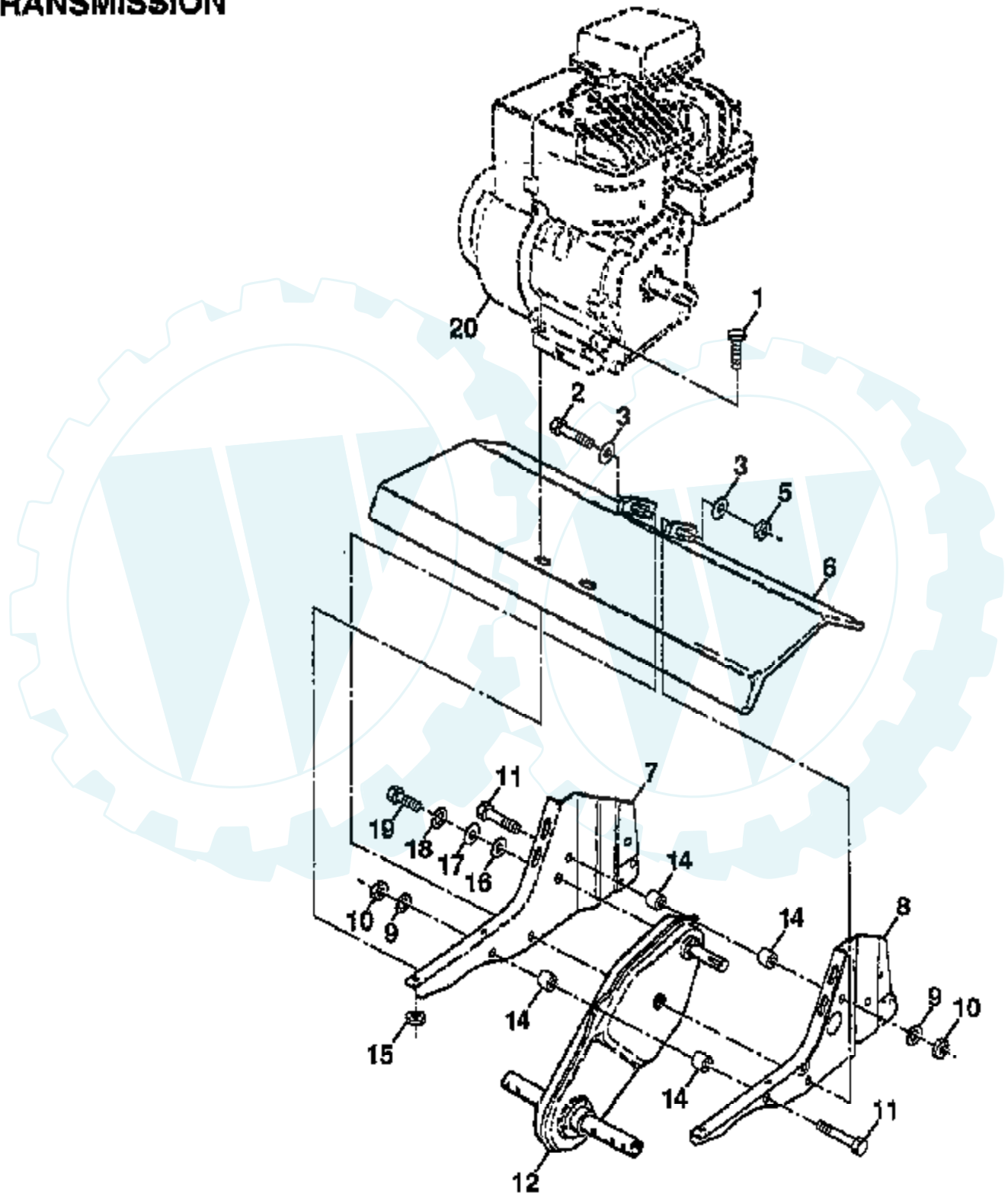


| Ref # | Part Number | Qty | Description |
|-------|-------------|-----|---------------------|
| 1 | 156926 | | "TINE ASM OUTER,RH" |
| 2 | 163552 | | RETAINER SPRING |
| 3 | 156924 | | "TINE ASM INNER,RH" |
| 4 | 156923 | | TINE ASM INNER LH |
| 5 | 156925 | | "TINE ASM OUTER,LH" |
| 6 | 4929H | | RIVET.PAN HD.1.75 |



TILLER - - MODEL NUMBER WEF550L

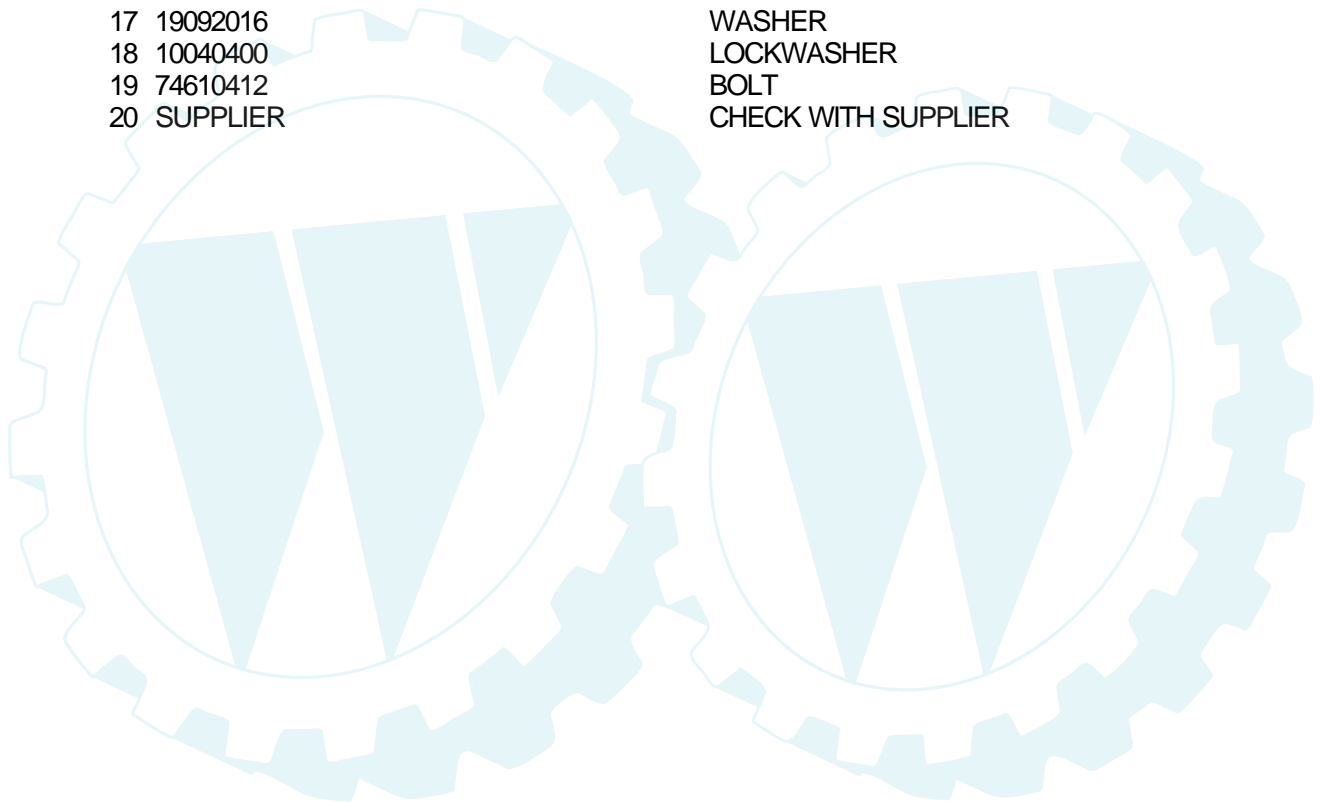
TRANSMISSION



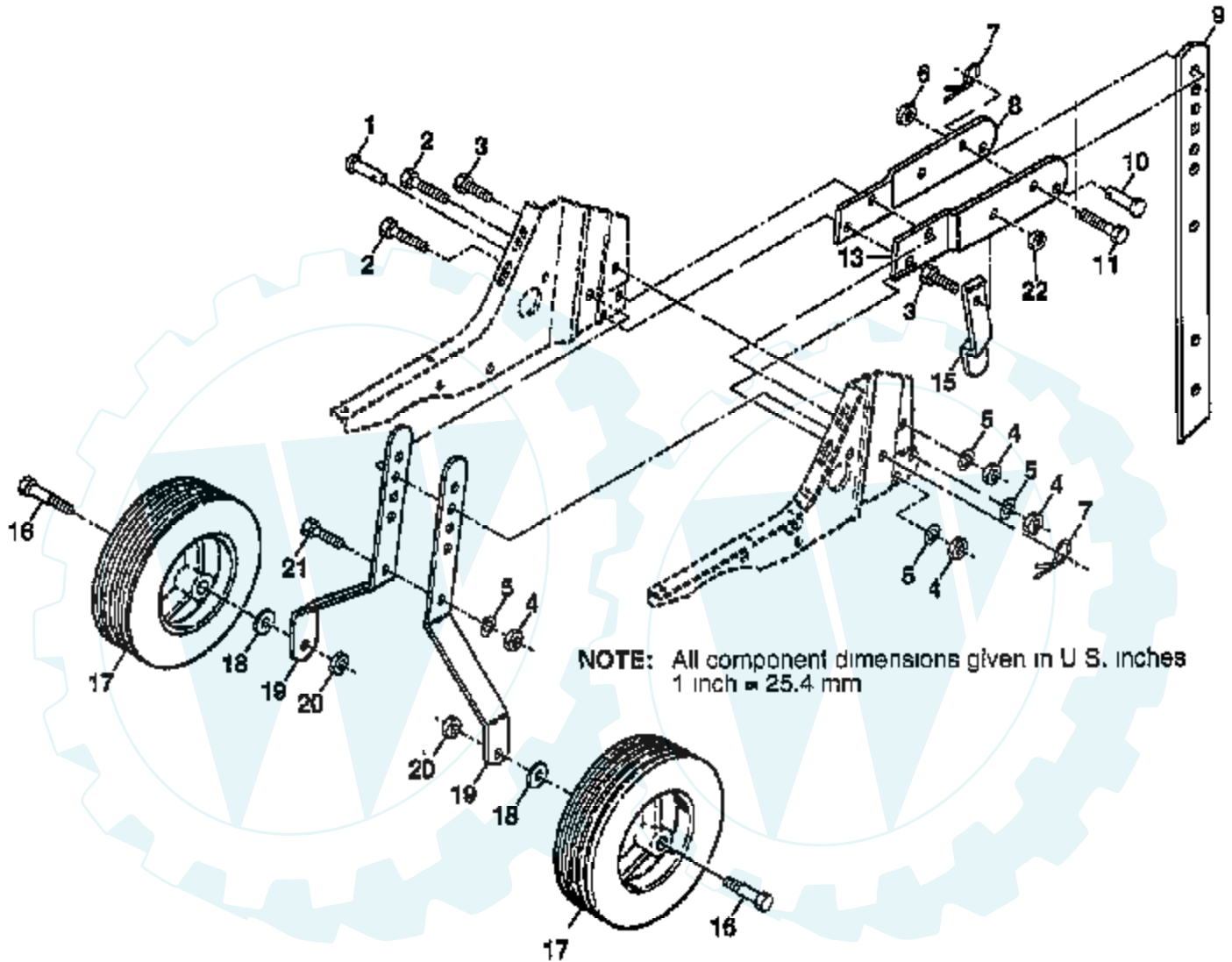
NOTE: All component dimensions given in U.S. inches.
1 inch = 25.4 mm

[Der Ersatzteilspezialist im Internet.](http://www.ersatzteil-service.de)

| Ref # | Part Number | Qty | Description |
|-------|-------------|-----|---------------------|
| 1 | 74760524 | | BOLT.HEX.5/16-1.5 |
| 2 | 74780652 | | BOLT HEX 3/8-16 |
| 3 | 19131311 | | WASHER |
| 5 | 73800600 | | NUT |
| 6 | 9056R550 | | SHIELD.PNT.TINE |
| 7 | 165835 | | BRACKET.ENGINE.RH |
| 8 | 1948J | | ENGINE BRKT LH TI |
| 9 | 10040500 | | LOCKWASHER |
| 10 | 73220500 | | NUT.HEX.5/16-18 |
| 11 | 74760544 | | SUB= 74780544 |
| 12 | 151222 | | SUB= 165808 |
| 14 | 9173R | | SPLIT SPACER RT |
| 15 | 73510500 | | NUT |
| 16 | 19091412 | | WASHER |
| 17 | 19092016 | | WASHER |
| 18 | 10040400 | | LOCKWASHER |
| 19 | 74610412 | | BOLT |
| 20 | SUPPLIER | | CHECK WITH SUPPLIER |



TILLER - - MODEL NUMBER WEF550L WHEEL AND DEPTH STAKE ASSEMBLY



| Ref # | Part Number | Qty | Description |
|-------|-------------|-----|------------------|
| 1 | 9194R | | DRILLED RIVET RT |
| 2 | 74760520 | | BOLT |
| 3 | 74760512 | | BOLT |
| 4 | 73220500 | | NUT.HEX.5/16-18 |
| 5 | 10040500 | | LOCKWASHER |
| 6 | 73800600 | | NUT |
| 7 | 4921H | | SPRING.RETAINER |
| 8 | 1952J | | SUB= 1952J500 |
| 9 | 122233X | | SUB= 2582J |
| 10 | 326J | | SUB= 4929H |
| 11 | 74780628 | | BOLT |
| 13 | 1951J | | SUB= 1951J500 |
| 15 | 5388J | | STAKE SPRING TI |
| 16 | 121117X | | BOLT SHOULDER |
| 17 | 9188R | | SUB= 107644X |
| 18 | 19131311 | | WASHER |
| 19 | 9190R | | SUB= 9190R500 |
| 20 | 73680600 | | SUB= 73690600 |
| 21 | 74760516 | | SUB= 77394 |
| 22 | 73800500 | | NUT |

