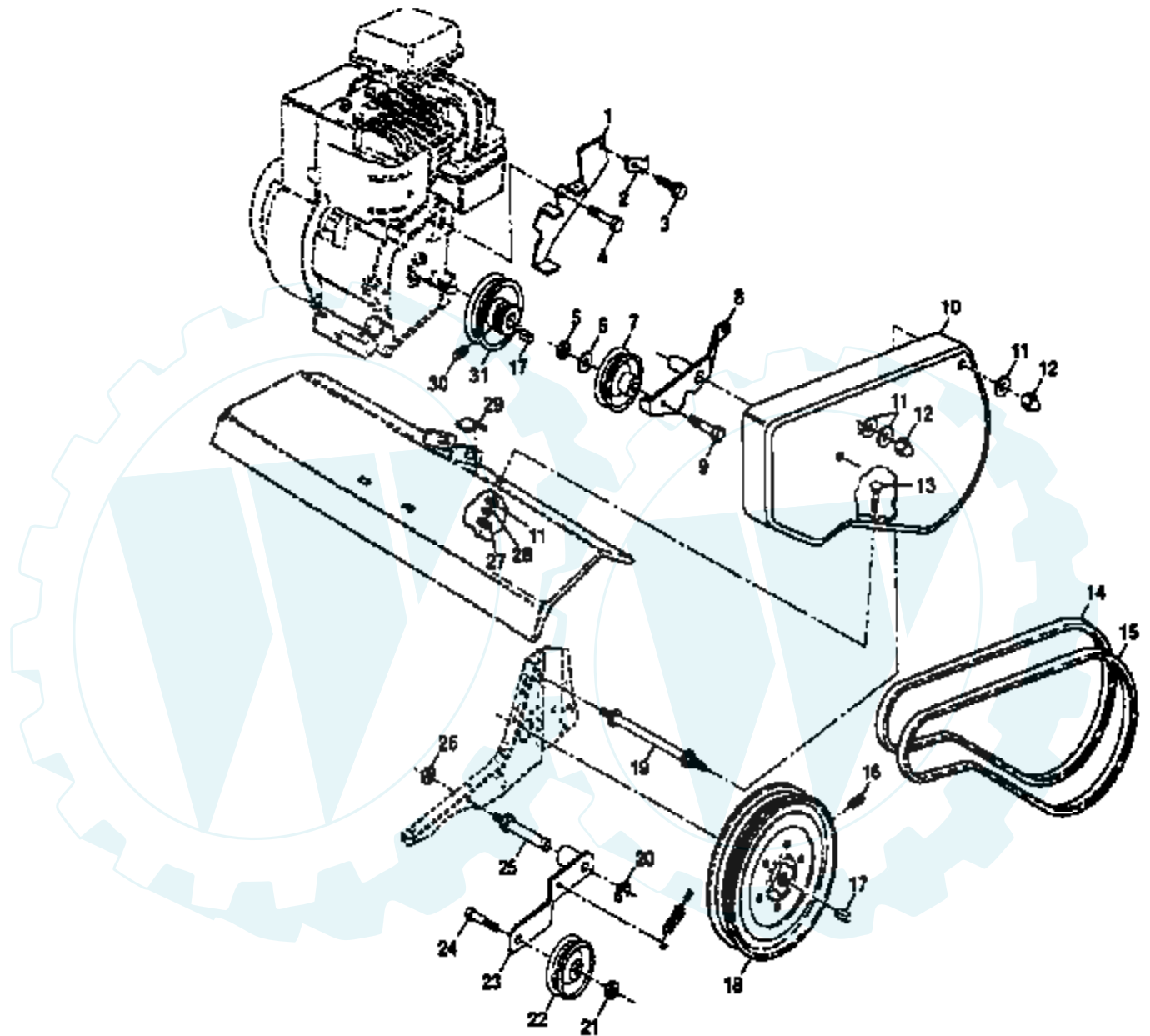


## 5 HP 26" TILLER - - MODEL NUMBER WEF550A BELT GUARD AND PULLEY ASSEMBLY

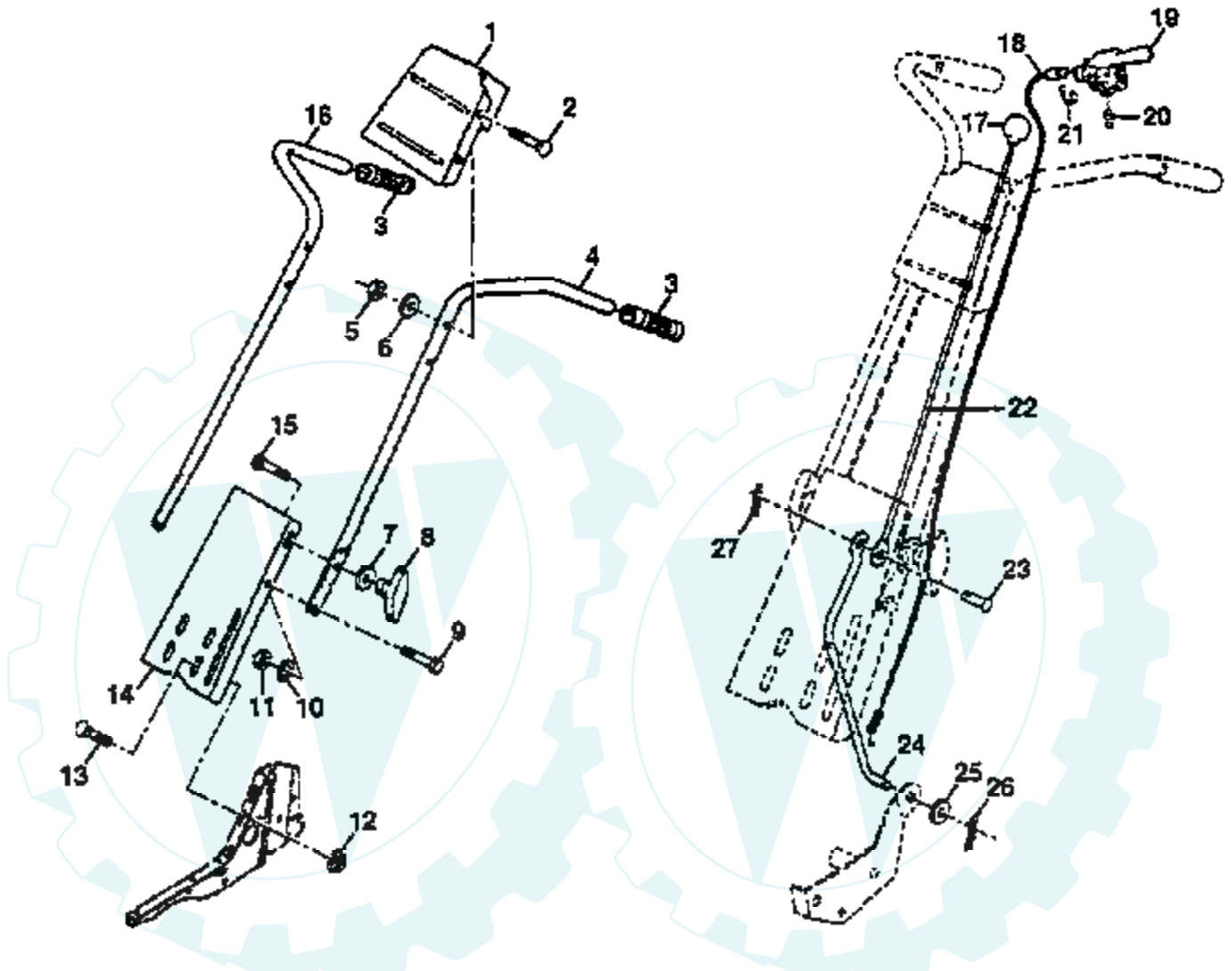


**NOTE:** All component dimensions given in U.S. inches.  
1 inch = 25.4 mm

| Ref # | Part Number | Qty | Description       |
|-------|-------------|-----|-------------------|
| 1     | 123643X     |     | SUB= 159268       |
| 2     | 9484R       |     | CONDIUT CLIP T    |
| 3     | 86777       |     | SUB= 750097       |
| 4     | 74770812    |     | SCREW             |
| 5     | 73220600    |     | NUT.HEX.3/8-16UNC |
| 6     | 2009J       |     | PULLEY W/SPACER   |
| 7     | 127180X     |     | ARM.ASM.REV.IDLER |
| 8     | 74760624    |     | SUB= 74930624     |
| 9     | 106970X419  |     | SUB= 106970X366   |
| 10    | 19091016    |     | WASHER            |
| 11    | 104213X     |     | NUT-CAP TI        |
| 12    | 72140405    |     | BOLT T            |
| 13    | 133035      |     | BELT-V            |
| 14    | 2614J       |     | SUB= TH3H440      |
| 15    | 23230506    |     | SET SCREW         |
| 16    | 2607J       |     | SHEAVE TI         |
| 17    | 2649M       |     | KEY T             |
| 18    | 110550X     |     | BOLT TI           |
| 19    | 12000036    |     | KLIP RING TI      |
| 20    | 73350600    |     | NUT               |
| 21    | 9178R       |     | SUB= 75673        |
| 22    | 674A30      |     | IDLER ARM TI      |
| 23    | 74760620    |     | SUB= 74780620     |
| 24    | 106968X     |     | SHAFT IDLER TI    |
| 25    | 73350500    |     | JAM NUT TI        |
| 26    | 73220400    |     | SUB= 50675        |
| 27    | 10040400    |     | LOCKWASHER        |
| 28    | 109227X     |     | PAD IDLER TI      |
| 29    | 23200404    |     | SET SCREW         |
| 30    | 101189L     |     | ENGINE PULLEY TI  |
| 31    | 19131316    |     | WASHER            |
|       | 134376      |     | NLA               |

### 5 HP 26" TILLER - - MODEL NUMBER WEF550A

#### HANDLE ASSEMBLY

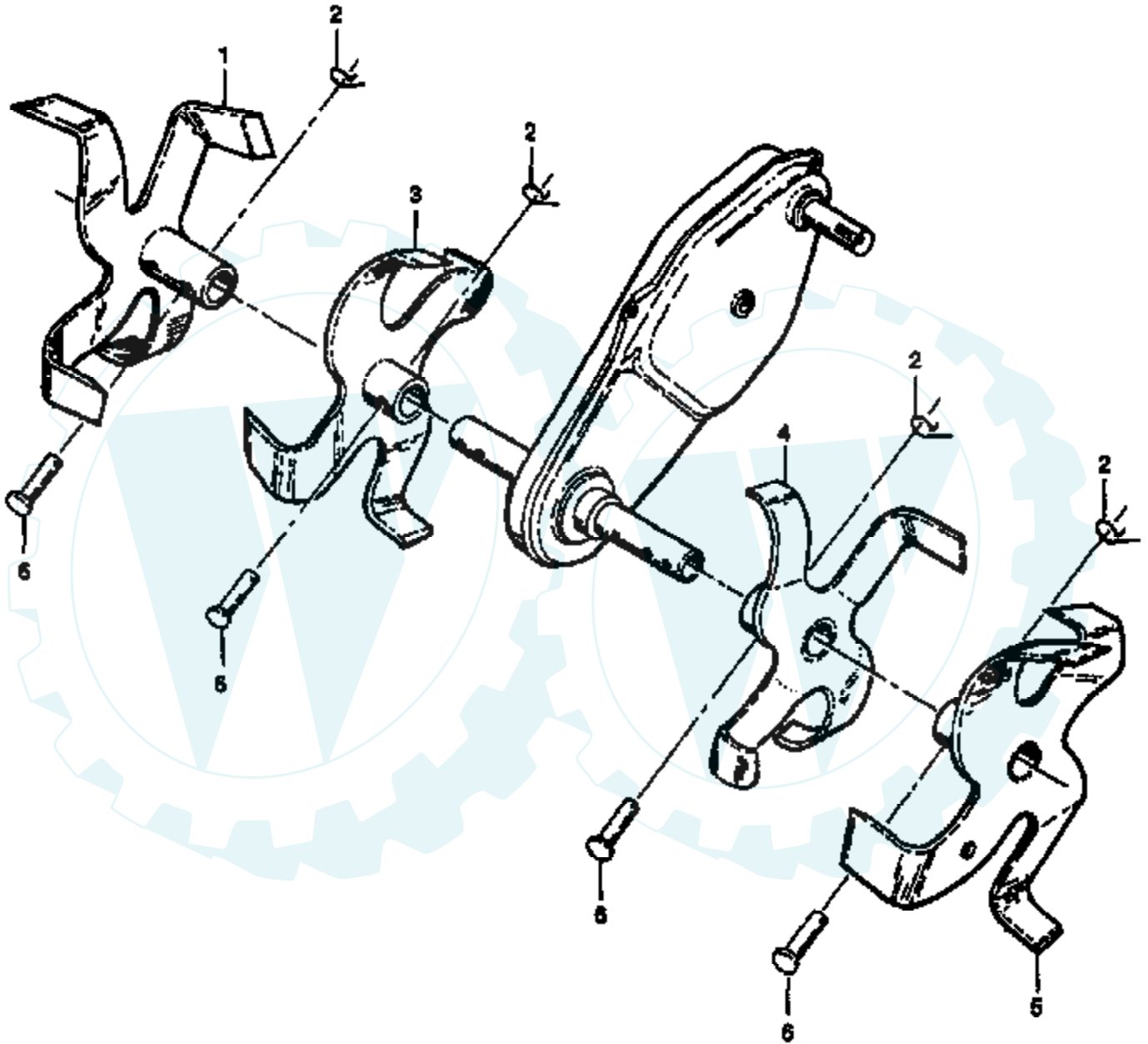


**NOTE:** All component dimensions are given in U.S. inches.  
1 inch = 25.4 mm

| Ref # | Part Number | Qty | Description       |
|-------|-------------|-----|-------------------|
| 1     | 131268X419  |     | HANDLE BRACKET    |
| 2     | 72140512    |     | BOLT              |
| 3     | 9266R       |     | SUB= 624A78       |
| 4     | 2623J       |     | SUB= 2623J500     |
| 5     | 73680500    |     | SUB= 73690500     |
| 6     | 19111116    |     | WASHER            |
| 7     | 19121414    |     | WASHER            |
| 8     | 63688       |     | SUB= 136376       |
| 9     | 471J        |     | BOLT CT           |
| 10    | 10040500    |     | LOCKWASHER        |
| 11    | 73220500    |     | NUT.HEX.5/16-18   |
| 12    | 98000129    |     | NUT               |
| 13    | 72140506    |     | BOLT              |
| 14    | 674A150419  |     | SUB= 674A150366   |
| 15    | 72110510    |     | BOLT              |
| 16    | 2624J       |     | SUB= 2624J500     |
| 17    | 106932X     |     | KNOB T(3/8 HOLE)  |
| 18    | 3066J       |     | CABLE CLUTCH T    |
| 19    | 2635J       |     | CONTROL LEVER TI  |
| 20    | 23200405    |     | SCREW             |
| 21    | 12000027    |     | E-RING            |
| 22    | 101248K     |     | ROD REVERSE TI    |
| 23    | 1778E       |     | RIVET.RD.HD.DRILL |
| 24    | 2613J       |     | REVERSE ROD TI    |
| 25    | 19131316    |     | WASHER            |
| 26    | 76020412    |     | COTTER PIN        |
| 27    | 76020308    |     | SUB= 3145         |
|       | 121753X     |     | DECAL REVERSE     |
|       | 120431X     |     | DECAL TI          |
|       | 132591      |     | NLA               |
|       | 134374      |     | MANUAL (ENG)      |

## 5 HP 26" TILLER - - MODEL NUMBER WEF550A

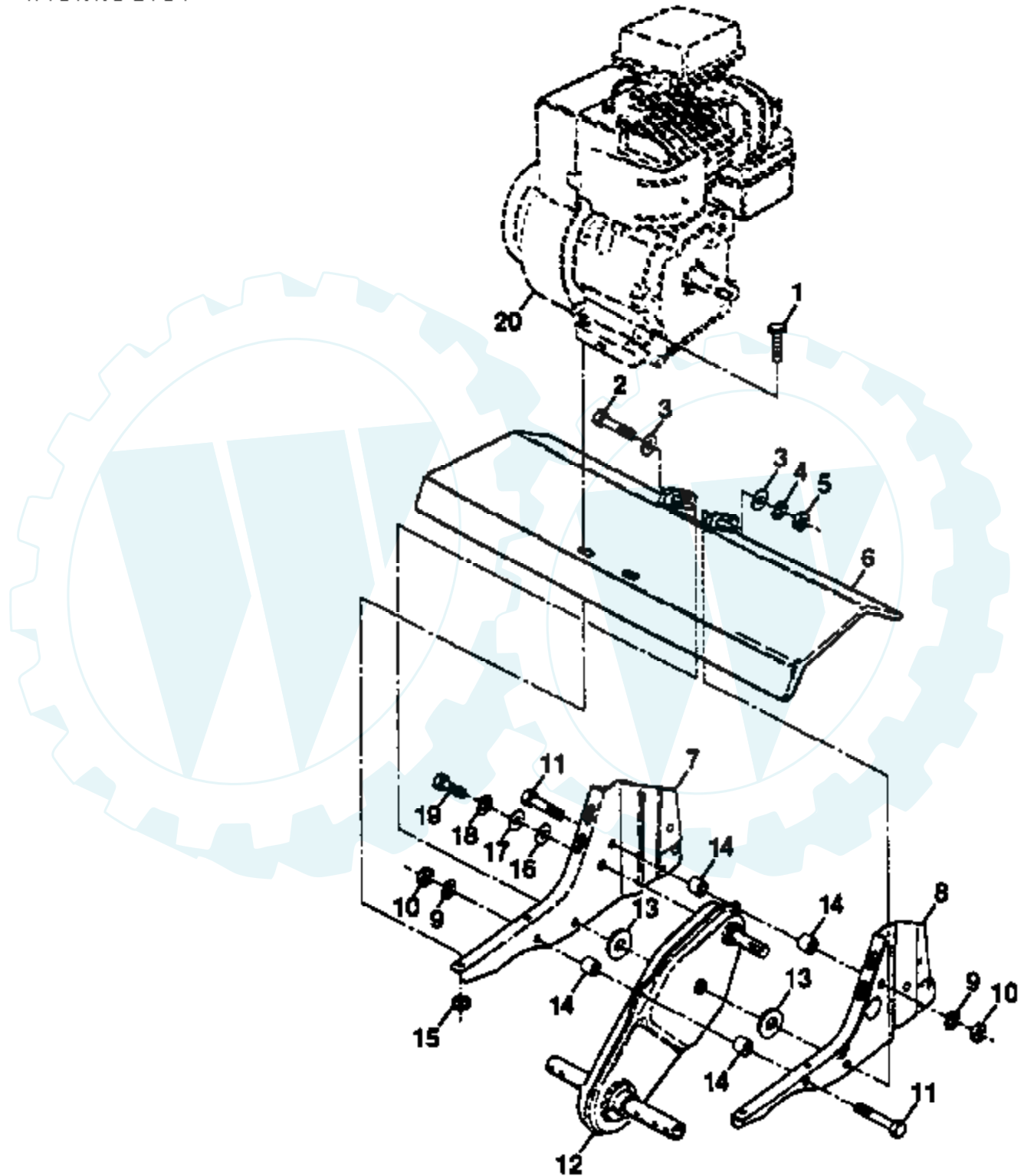
### TINE ASSEMBLY



| Ref # | Part Number | Qty | Description       |
|-------|-------------|-----|-------------------|
| 1     | 100746M     |     | TINE WELDMENT TI  |
| 2     | 3146R       |     | RETAINER.SPRING   |
| 3     | 674A43      |     | TINE TI           |
| 4     | 674A42      |     | TINE TI           |
| 5     | 100744M     |     | TINE WELDMENT TI  |
| 6     | 4929H       |     | RIVET.PAN HD.1.75 |

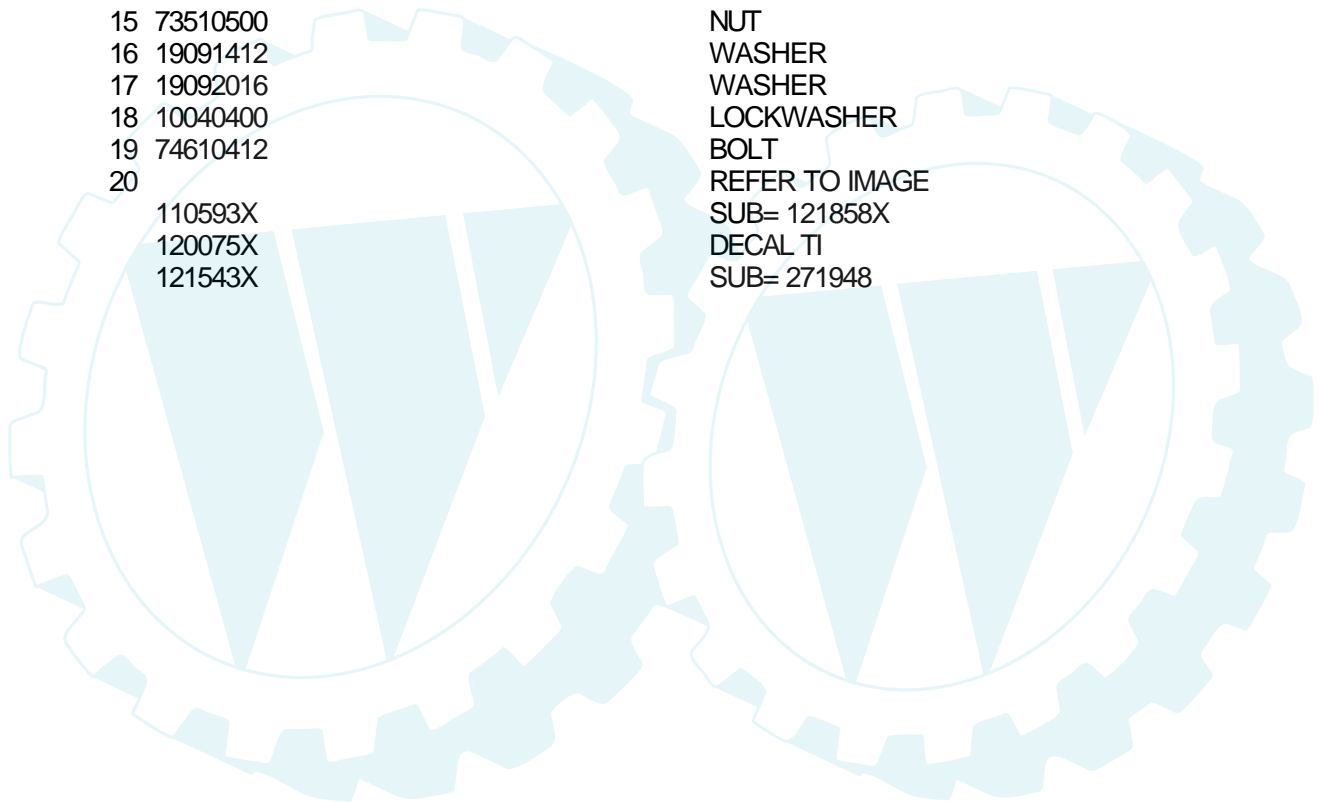


## 5 HP 26" TILLER - - MODEL NUMBER WEF550A TRANSMISSION



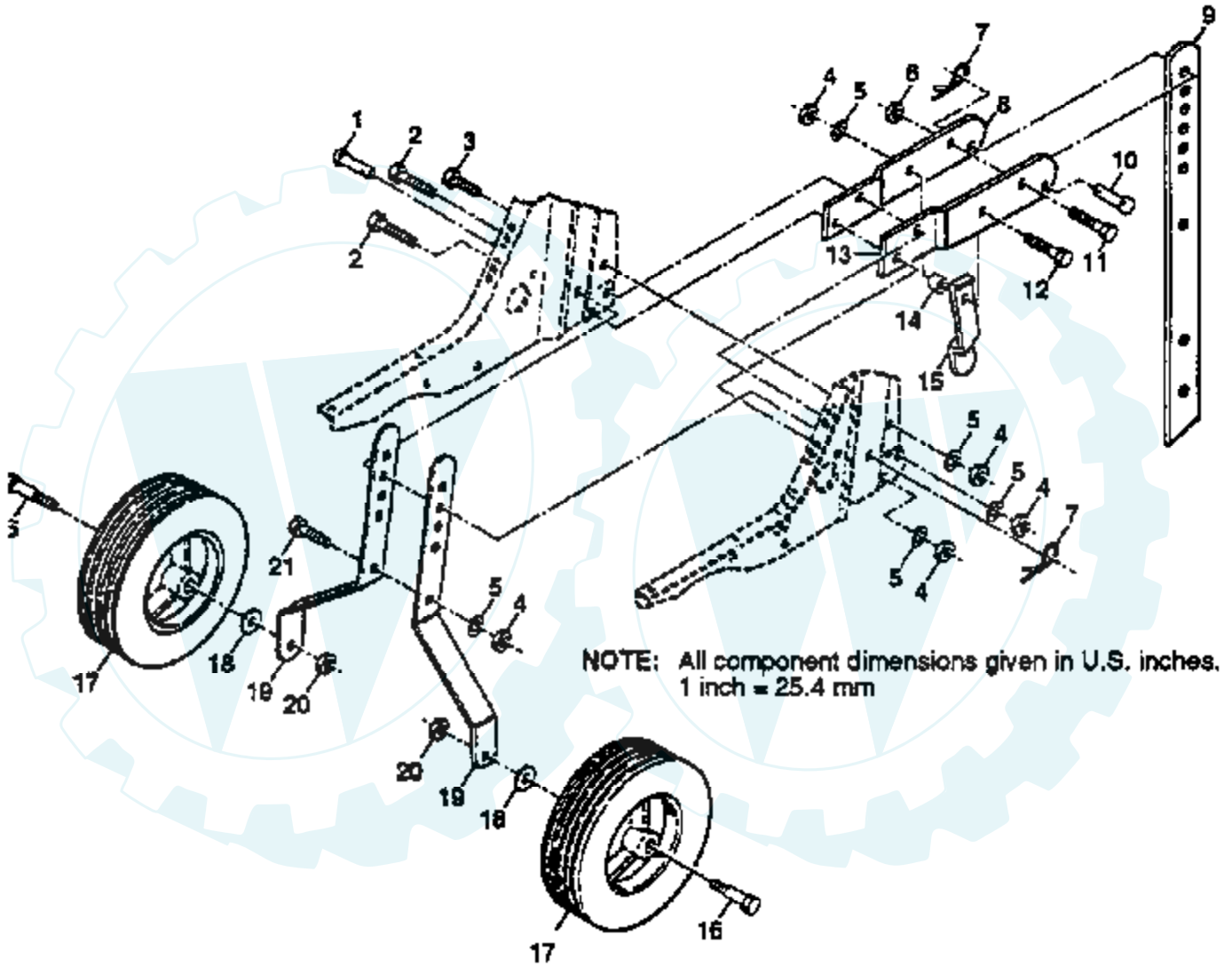
**NOTE:** All component dimensions given in U.S. inches.  
1 inch = 25.4 mm

| Ref # | Part Number | Qty | Description       |
|-------|-------------|-----|-------------------|
| 1     | 74760524    |     | BOLT.HEX.5/16-1.5 |
| 2     | 74610652    |     | BOLT.3/8-24X3.75  |
| 3     | 19131311    |     | WASHER            |
| 4     | 10040600    |     | LOCKWASHER        |
| 5     | 7810H       |     | GRIPCO NUT        |
| 6     | 9057R419    |     | SUB= 9057R366     |
| 7     | 1949J       |     | SUB= 1949J500     |
| 8     | 110519X     |     | BRACKET.ENG.LH.   |
| 9     | 10040500    |     | LOCKWASHER        |
| 10    | 73220500    |     | NUT.HEX.5/16-18   |
| 11    | 74760544    |     | SUB= 74780544     |
| 12    | 126669X     |     | SUB= 532126669    |
| 13    | 19171616    |     | WASHER            |
| 14    | 9173R       |     | SPLIT SPACER RT   |
| 15    | 73510500    |     | NUT               |
| 16    | 19091412    |     | WASHER            |
| 17    | 19092016    |     | WASHER            |
| 18    | 10040400    |     | LOCKWASHER        |
| 19    | 74610412    |     | BOLT              |
| 20    |             |     | REFER TO IMAGE    |
|       | 110593X     |     | SUB= 121858X      |
|       | 120075X     |     | DECAL T1          |
|       | 121543X     |     | SUB= 271948       |





## 5 HP 26" TILLER - - MODEL NUMBER WEF550A WHEEL AND DEPTH STAKE ASSEMBLY



| Ref # | Part Number | Qty | Description       |
|-------|-------------|-----|-------------------|
| 1     | 9194R       |     | DRILLED RIVET RT  |
| 2     | 74760520    |     | BOLT              |
| 3     | 74760512    |     | BOLT              |
| 4     | 73220500    |     | NUT.HEX.5/16-18   |
| 5     | 10040500    |     | LOCKWASHER        |
| 6     | 7810H       |     | GRIPCO NUT        |
| 7     | 4921H       |     | SPRING.RETAINER   |
| 8     | 1952J       |     | SUB= 1952J500     |
| 9     | 122233X     |     | SUB= 2582J        |
| 10    | 326J        |     | SUB= 4929H        |
| 11    | 74610624    |     | BOLT.3/8-24X1-1/2 |
| 12    | 74760524    |     | BOLT.HEX.5/16-1.5 |
| 13    | 1951J       |     | SUB= 1951J500     |
| 14    | 120958X     |     | WASHER            |
| 15    | 5388J       |     | STAKE SPRING TI   |
| 16    | 121117X     |     | BOLT SHOULDER     |
| 17    | 9188R       |     | SUB= 107644X      |
| 18    | 19131311    |     | WASHER            |
| 19    | 9190R       |     | SUB= 9190R500     |
| 20    | 73680600    |     | SUB= 73690600     |
| 21    | 74760516    |     | SUB= 77394        |

