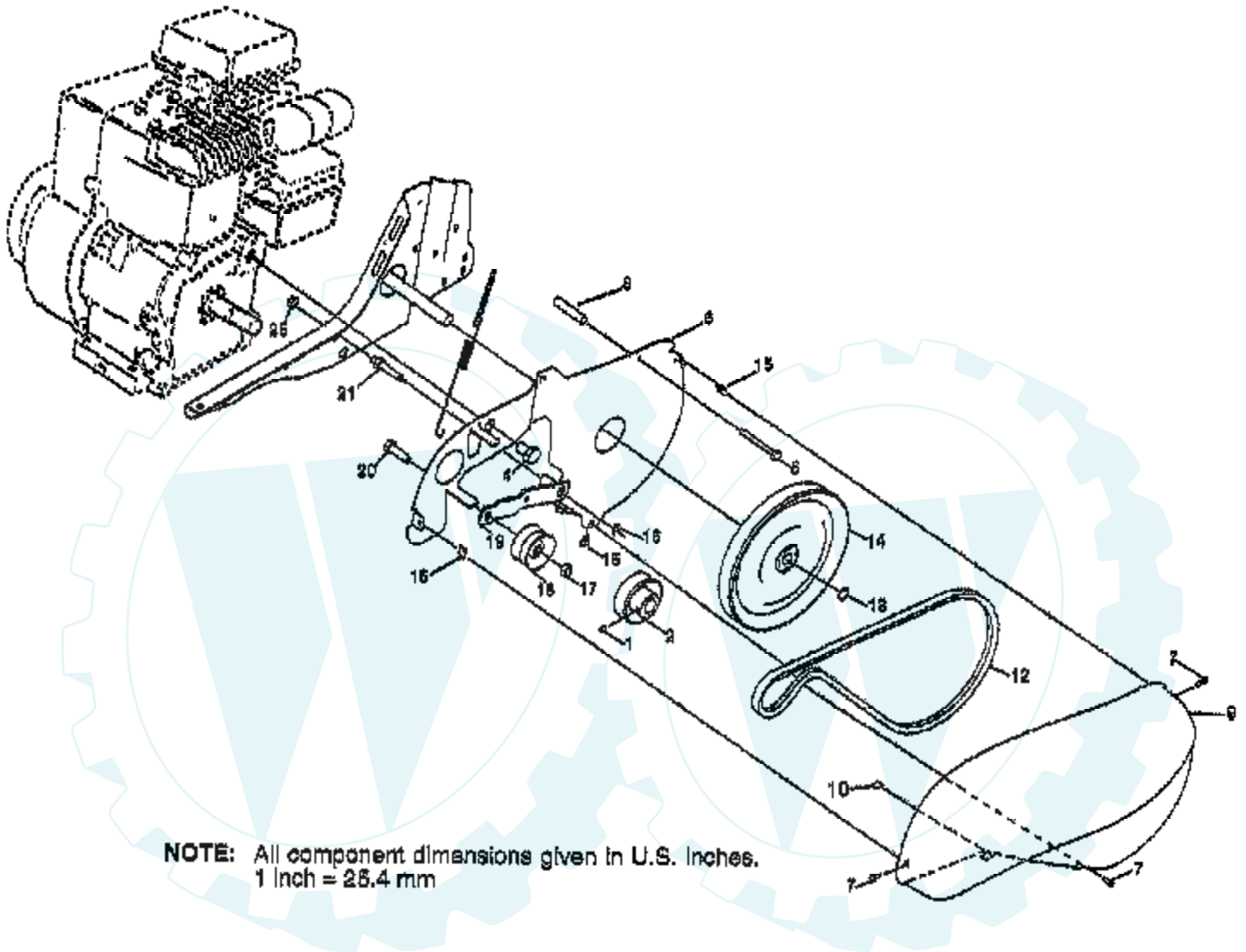
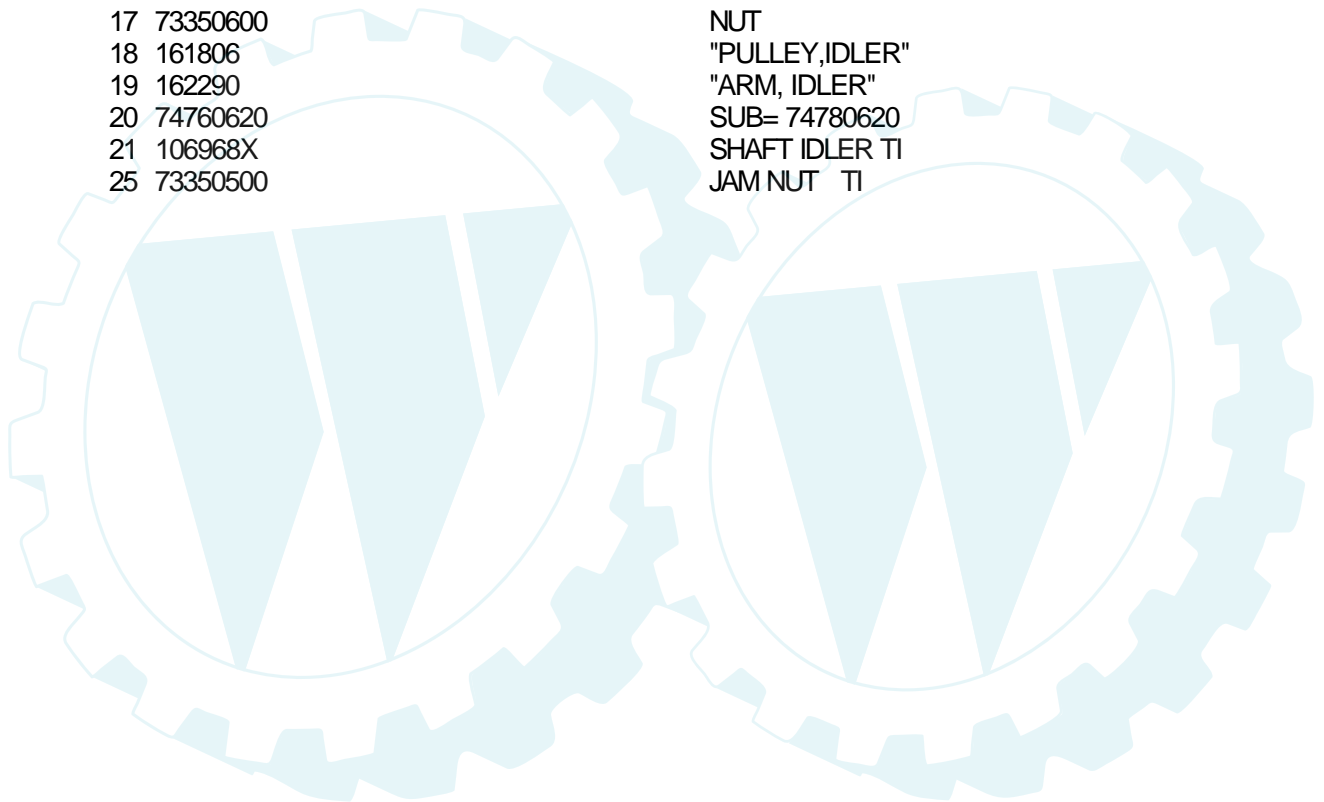


TILLER - - MODEL NUMBER WEF500G BELT GUARD AND PULLEY ASSEMBLY

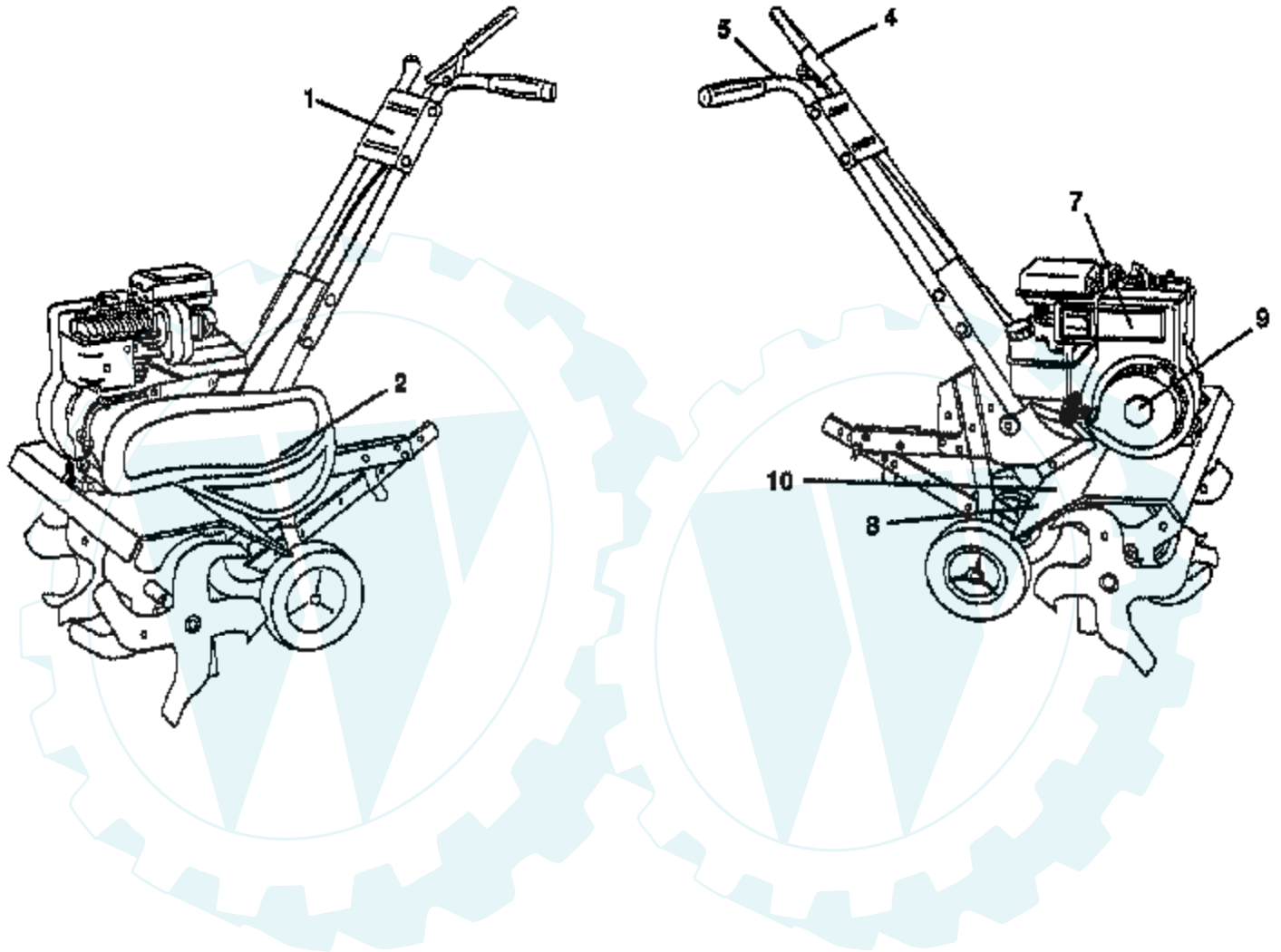


Ref #	Part Number	Qty	Description
1	23230506		SET SCREW
2	130812		ENGINE PULLEY
4	74610812		BOLT.HEX.HEAD
5	17490440		BOLT.ROLLER.1/4-20X2 1/2
6	165770		SHEILD.INNER.GUARD
7	165503		SCREW HX WSH.HD#8-18X1/2
8	139155		SPACER.SPLIT
9	165768X550		GUARD
10	109227X		PAD IDLER TI
12	9180R		V BELT STD
13	12000028		SUB= 2267J
14	151223		SHEAVE.TRANS
15	165504		NUT J CLIP #8
16	12000036		KLIP RING TI
17	73350600		NUT
18	161806		"PULLEY,IDLER"
19	162290		"ARM, IDLER"
20	74760620		SUB= 74780620
21	106968X		SHAFT IDLER TI
25	73350500		JAM NUT TI



TILLER - - MODEL NUMBER WEF500G

DECALS

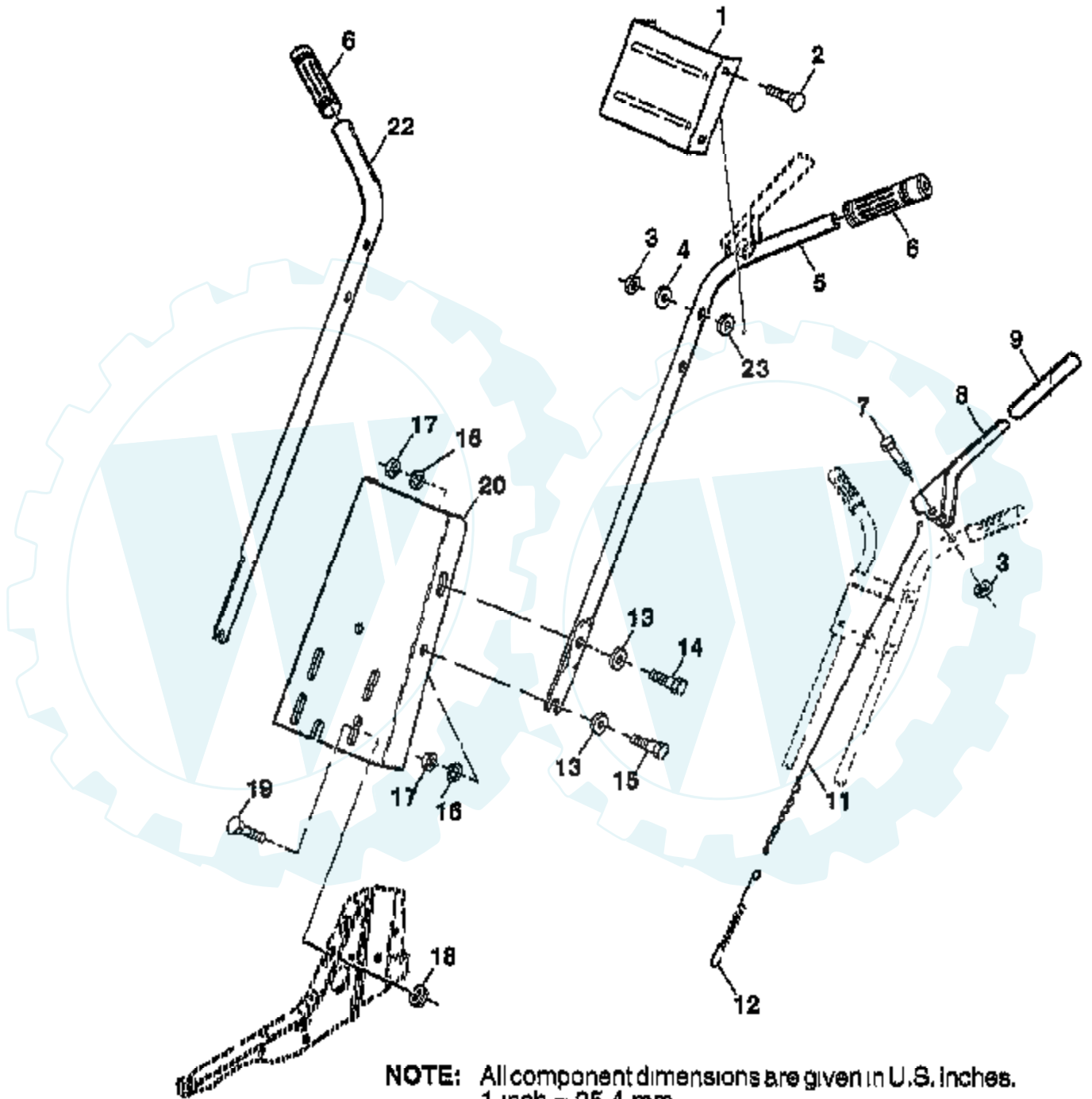


Ref #	Part Number	Qty	Description
1	162413		DECAL.LOGO.CONTROL
2	166807		DECAL
4	110613X		DECAL TI
5	110614X		DECAL TI
7	165266		SUB= 271948
8	120076X		SUB= 120075X
9	165278		SUB= 273721
10	162384		DECAL.CAUTION
	168126		MANUAL.O.WEF500E.
	168127		MANUAL, OWNER'S



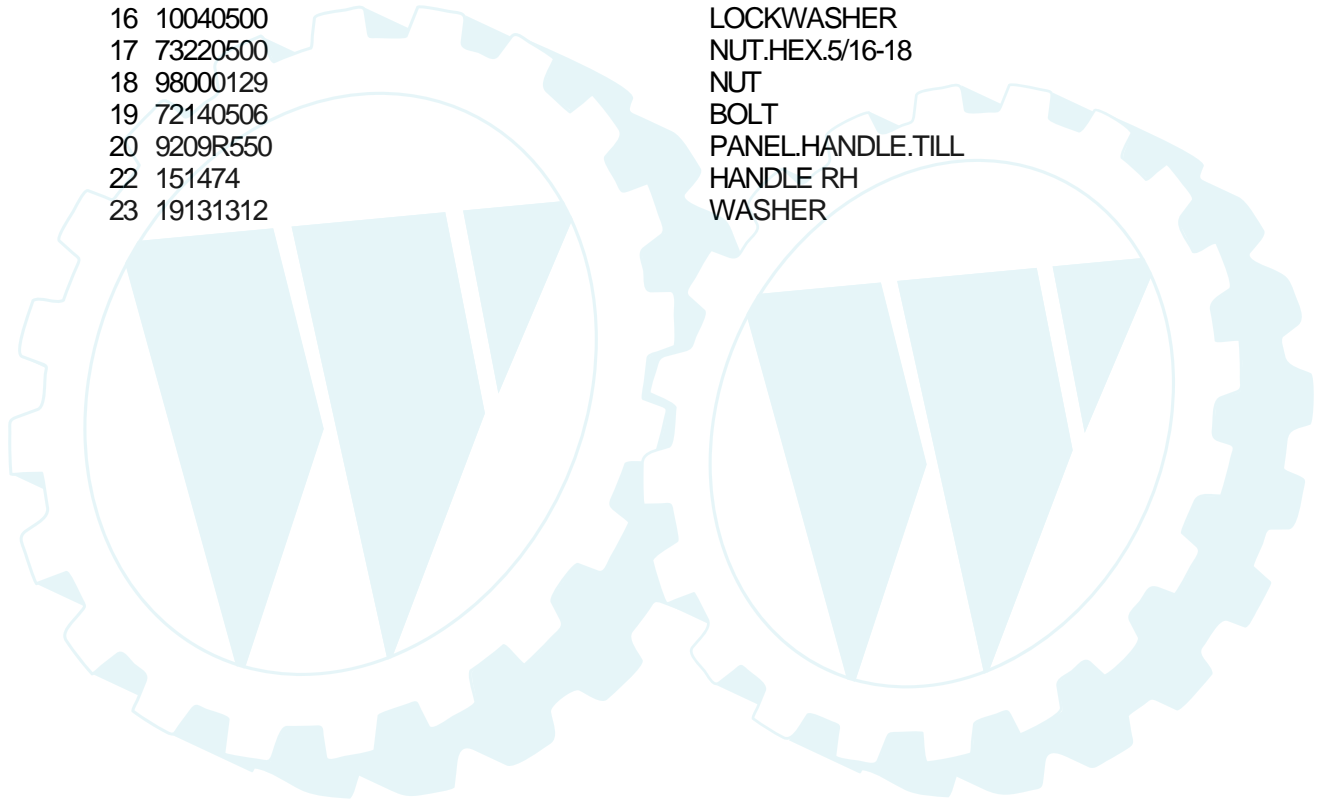
TILLER - - MODEL NUMBER WEF500G

HANDLE ASSEMBLY



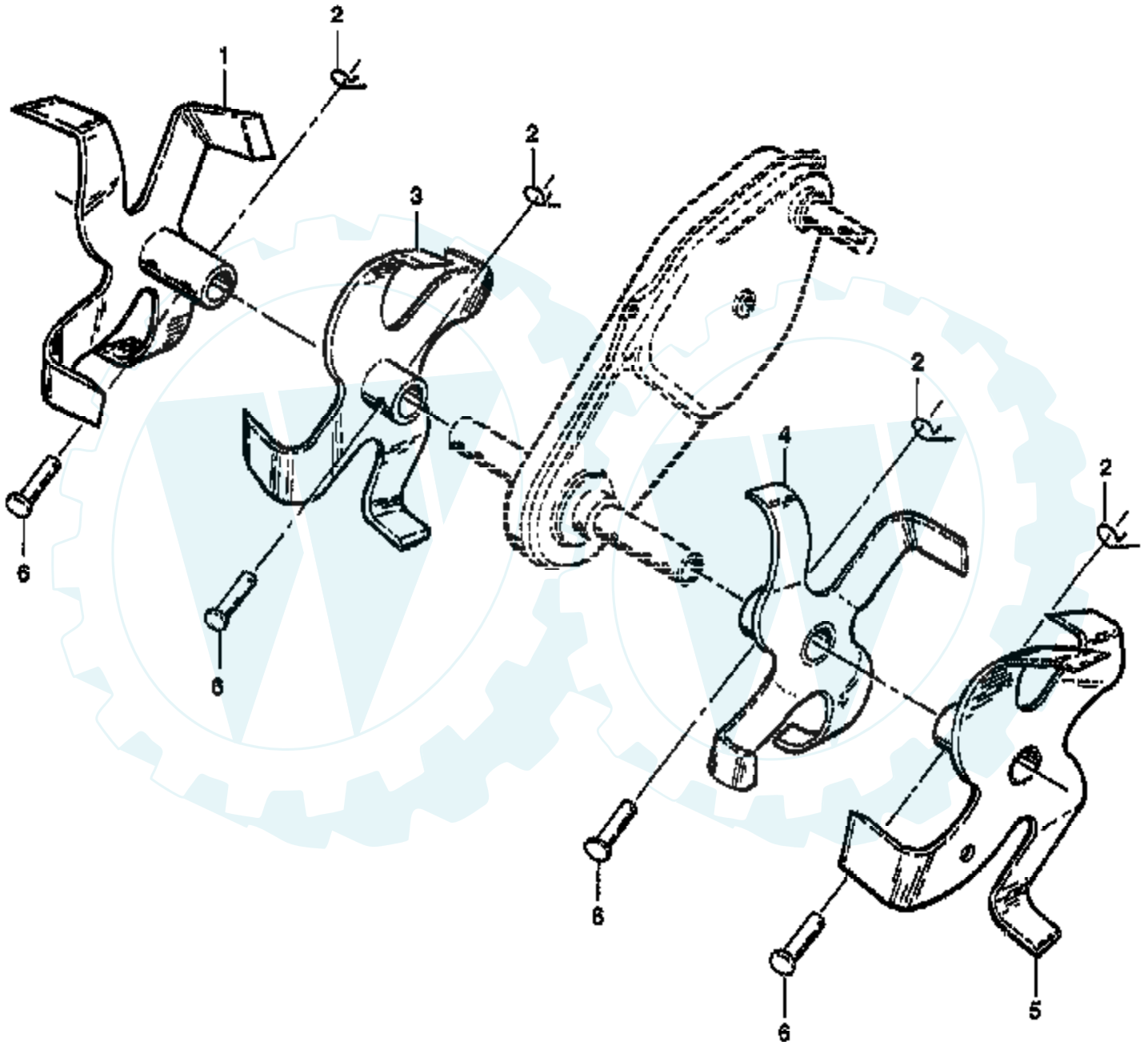
NOTE: All component dimensions are given in U.S. inches.
1 inch = 25.4 mm

Ref #	Part Number	Qty	Description
1	137176X550		PANEL.CNTRL.HDLE.
2	72140512		BOLT
3	73680500		SUB= 73690500
4	19111116		WASHER
5	151473		HANDLE LH
6	9266R		SUB= 624A78
7	74760524		BOLT.HEX.5/16-1.5
8	164937		LEVER.CONTROL.TINE
9	8206H		GRIP T
11	3067J		SUB= 100382K
12	3070J		SPRING EXT TI
13	19121414		WASHER
14	74760516		SUB= 77394
15	74760512		BOLT
16	10040500		LOCKWASHER
17	73220500		NUT.HEX.5/16-18
18	98000129		NUT
19	72140506		BOLT
20	9209R550		PANEL.HANDLE.TILL
22	151474		HANDLE RH
23	19131312		WASHER



TILLER - - MODEL NUMBER WEF500G

TINE ASSEMBLY

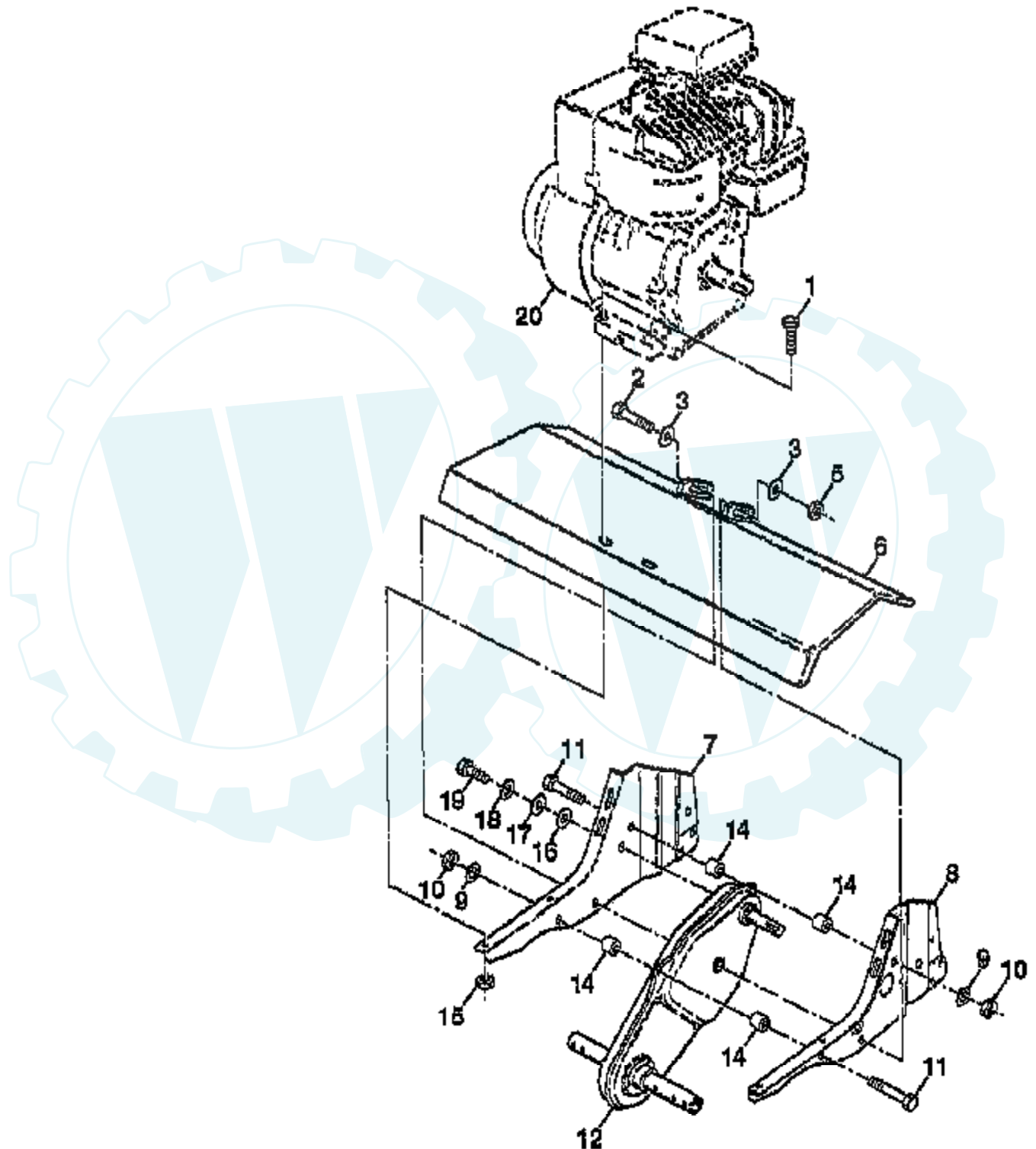


Ref #	Part Number	Qty	Description
1	156926		"TINE ASM OUTER,RH"
2	3146R		RETAINER.SPRING
3	156924		"TINE ASM INNER,RH"
4	156923		TINE ASM INNER LH
5	156925		"TINE ASM OUTER,LH"
6	4929H		RIVET.PAN HD.1.75



TILLER - - MODEL NUMBER WEF500G

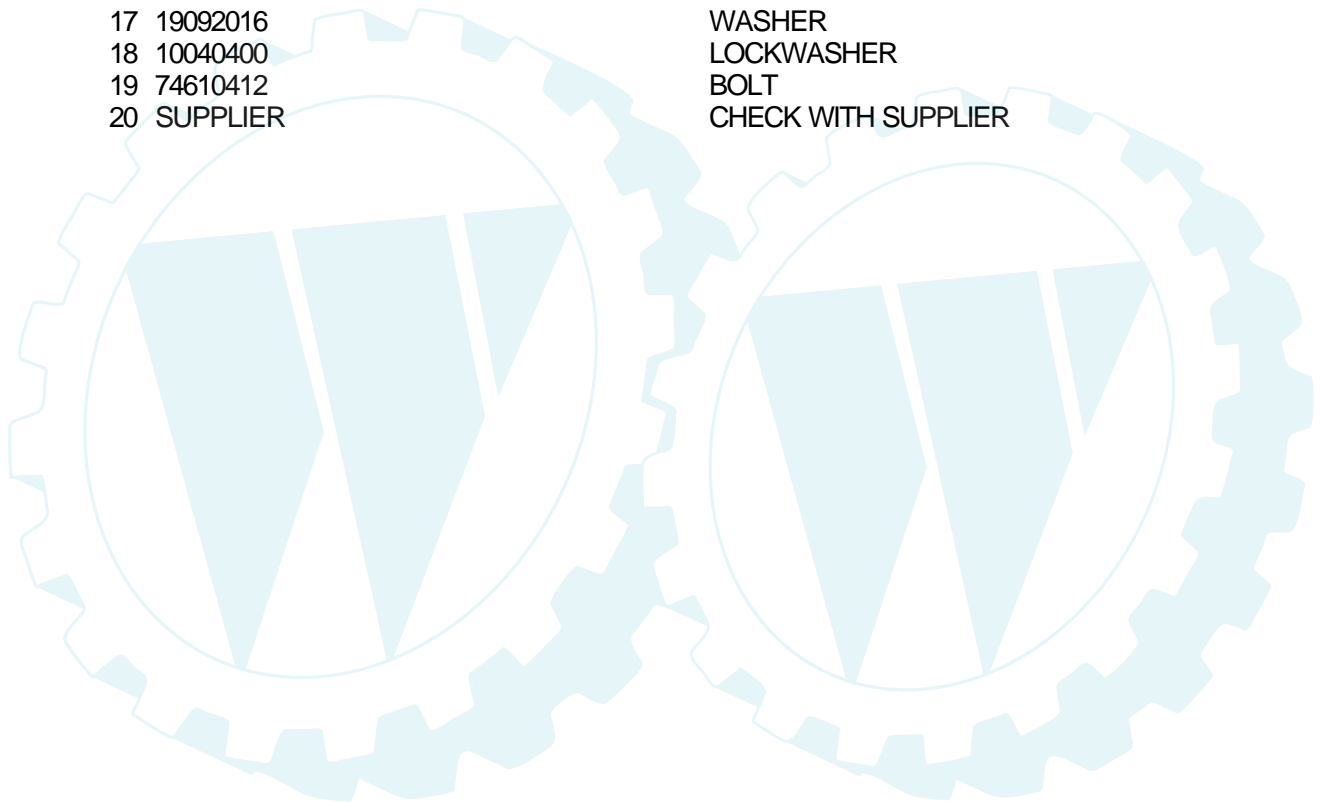
TRANSMISSION



NOTE: All component dimensions given in U.S. Inches.
1 Inch = 25.4 mm

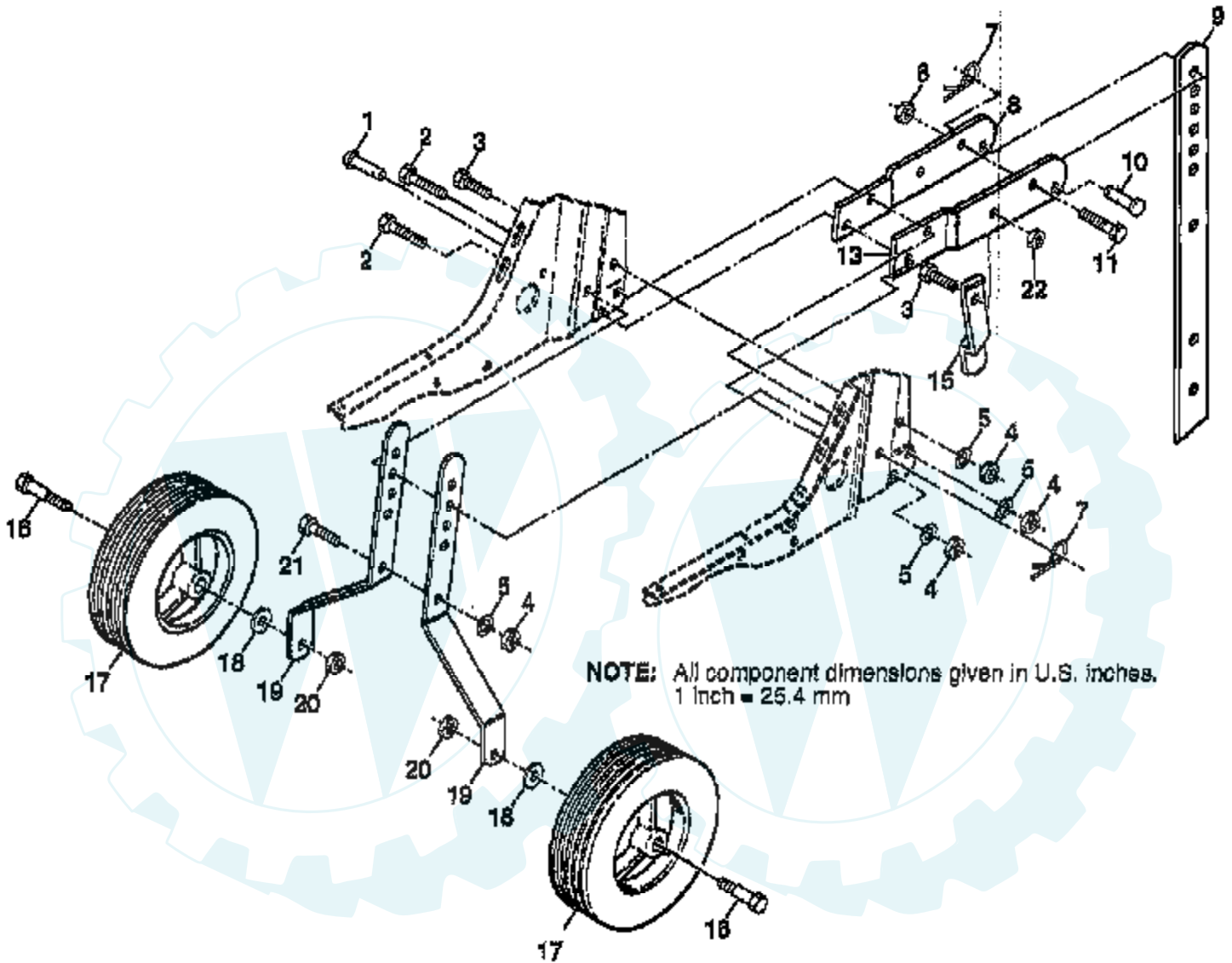
[Der Ersatzteilspezialist im Internet.](#)

Ref #	Part Number	Qty	Description
1	74760524		BOLT.HEX.5/16-1.5
2	74780652		BOLT HEX 3/8-16
3	19131311		WASHER
5	73800600		NUT
6	9056R550		SHIELD.PNT.TINE
7	165835		BRACKET.ENGINE.RH
8	165834		BRKT.ENGINE.LH
9	10040500		LOCKWASHER
10	73220500		NUT.HEX.5/16-18
11	74760544		SUB= 74780544
12	151222		SUB= 165808
14	9173R		SPLIT SPACER RT
15	73510500		NUT
16	19091412		WASHER
17	19092016		WASHER
18	10040400		LOCKWASHER
19	74610412		BOLT
20	SUPPLIER		CHECK WITH SUPPLIER



TILLER - - MODEL NUMBER WEF500G

WHEEL AND DEPTH STAKE ASSEMBLY



Ref #	Part Number	Qty	Description
1	9194R		DRILLED RIVET RT
2	74760520		BOLT
3	74760512		BOLT
4	73220500		NUT.HEX.5/16-18
5	10040500		LOCKWASHER
6	73800600		NUT
7	4921H		SPRING.RETAINER
8	1952J		SUB= 1952J500
9	122233X		SUB= 2582J
10	326J		SUB= 4929H
11	74780628		BOLT
13	1951J		SUB= 1951J500
15	5388J		STAKE SPRING TI
16	121117X		BOLT SHOULDER
17	9188R		SUB= 107644X
18	19131311		WASHER
19	9190R		SUB= 9190R500
20	73680600		SUB= 73690600
21	74760516		SUB= 77394
22	73800500		NUT

