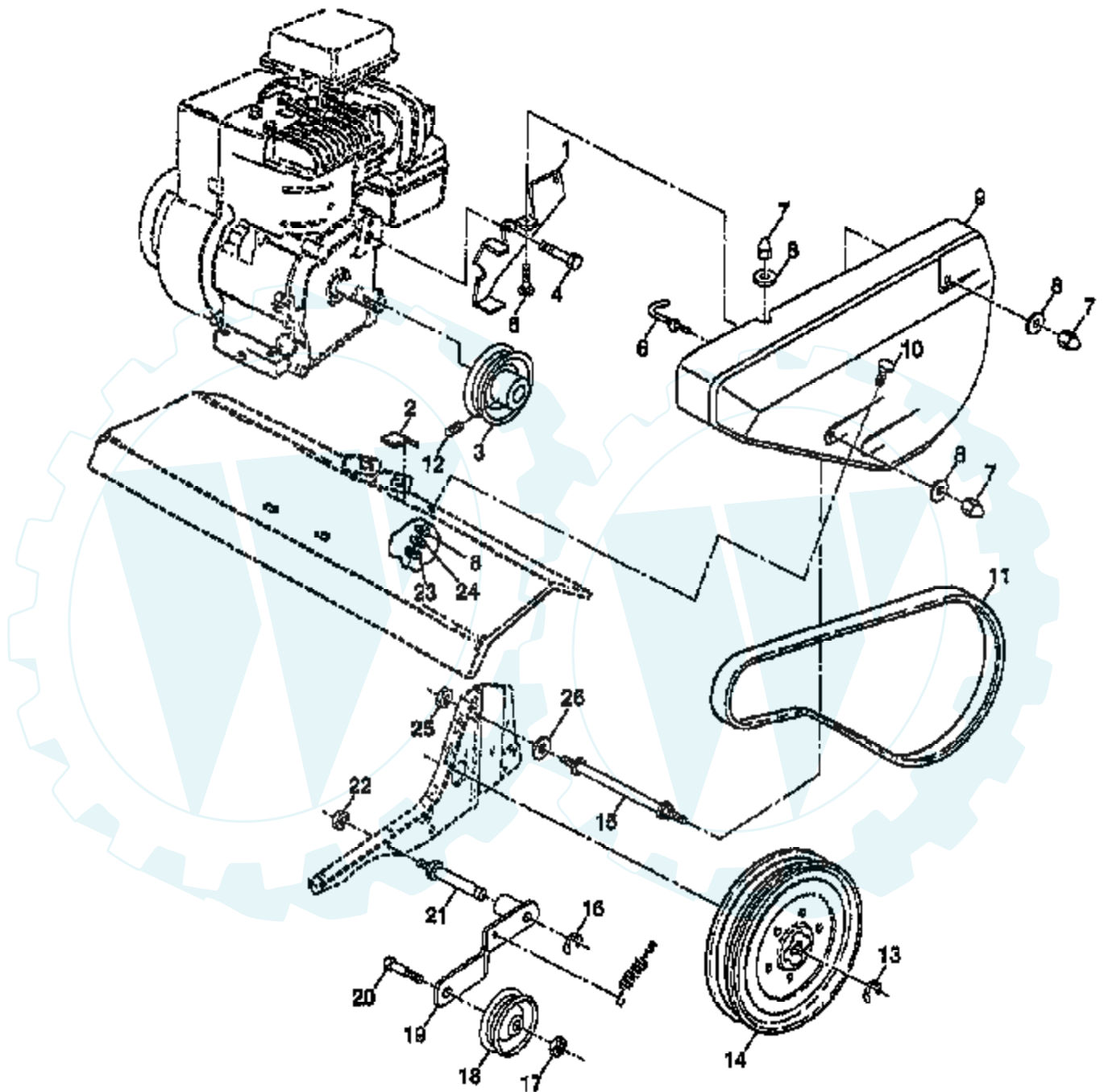


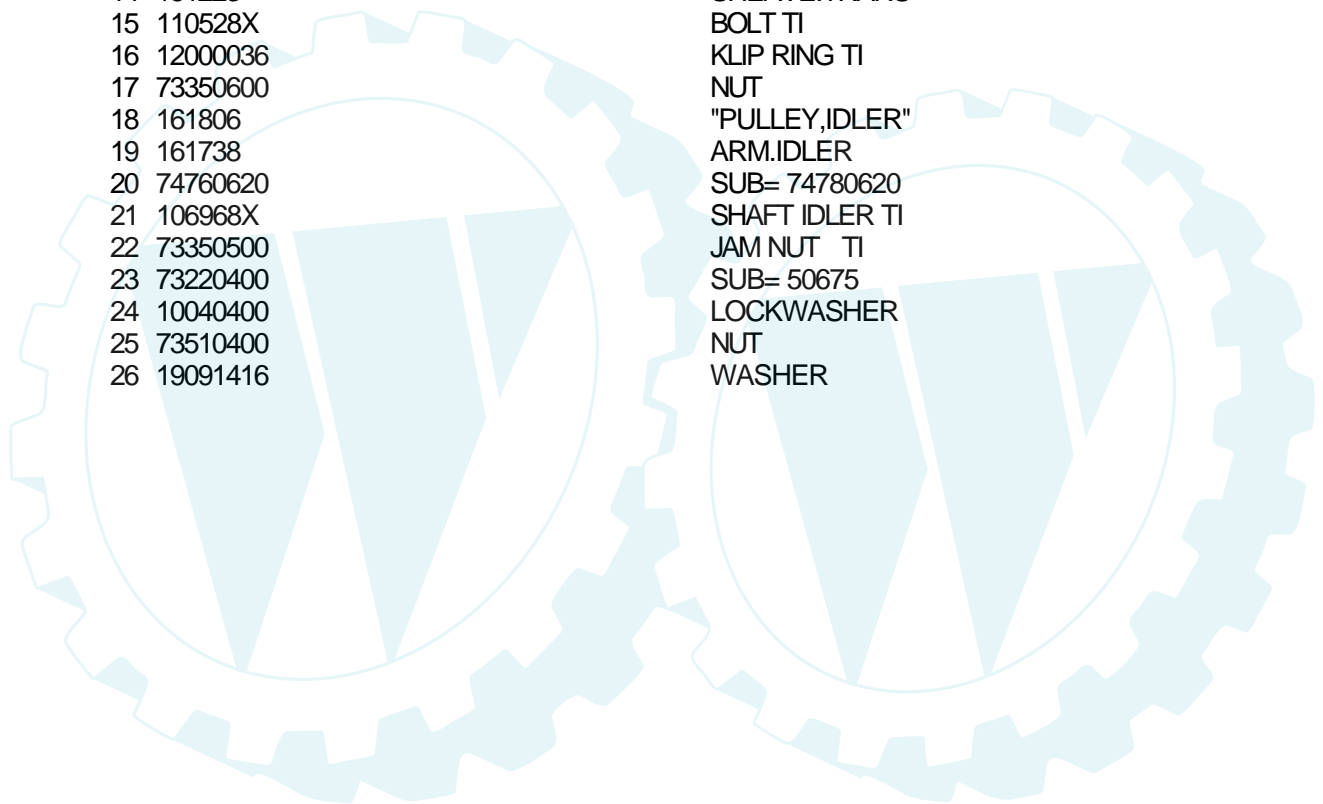
## TILLER - - MODEL NUMBER WEF500E

### BELT GUARD AND PULLEY ASSEMBLY



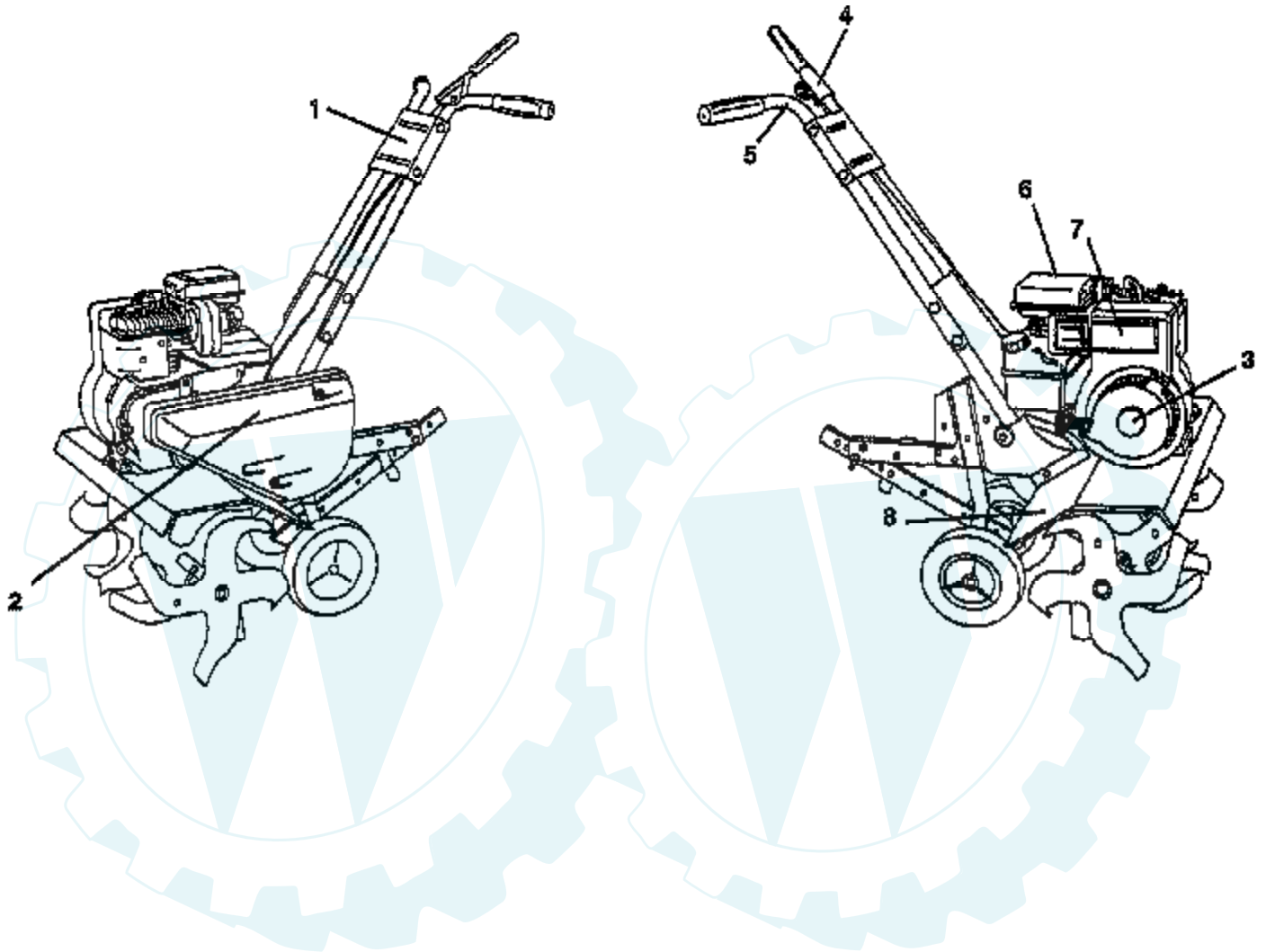
**NOTE:** All component dimensions given in U.S. inches.  
1 inch = 25.4 mm

Ref #	Part Number	Qty	Description
1	159233		BRKT GUARD BELT
2	109227X		PAD IDLER TI
3	130812		ENGINE PULLEY
4	74610812		BOLT.HEX.HEAD
5	72140404		BOLT
6	121463X		KEEPER BELT
7	104213X		NUT-CAP TI
8	19091016		WASHER
9	131158X550		GUARD.PNT.BELT
10	72140405		BOLT T
11	9180R		V BELT STD
12	23230506		SET SCREW
13	12000028		SUB= 2267J
14	151223		SHEAVE.TRANS
15	110528X		BOLT TI
16	12000036		KLIP RING TI
17	73350600		NUT
18	161806		"PULLEY,IDLER"
19	161738		ARM.IDLER
20	74760620		SUB= 74780620
21	106968X		SHAFT IDLER TI
22	73350500		JAM NUT TI
23	73220400		SUB= 50675
24	10040400		LOCKWASHER
25	73510400		NUT
26	19091416		WASHER



## TILLER - - MODEL NUMBER WEF500E

### DECALS

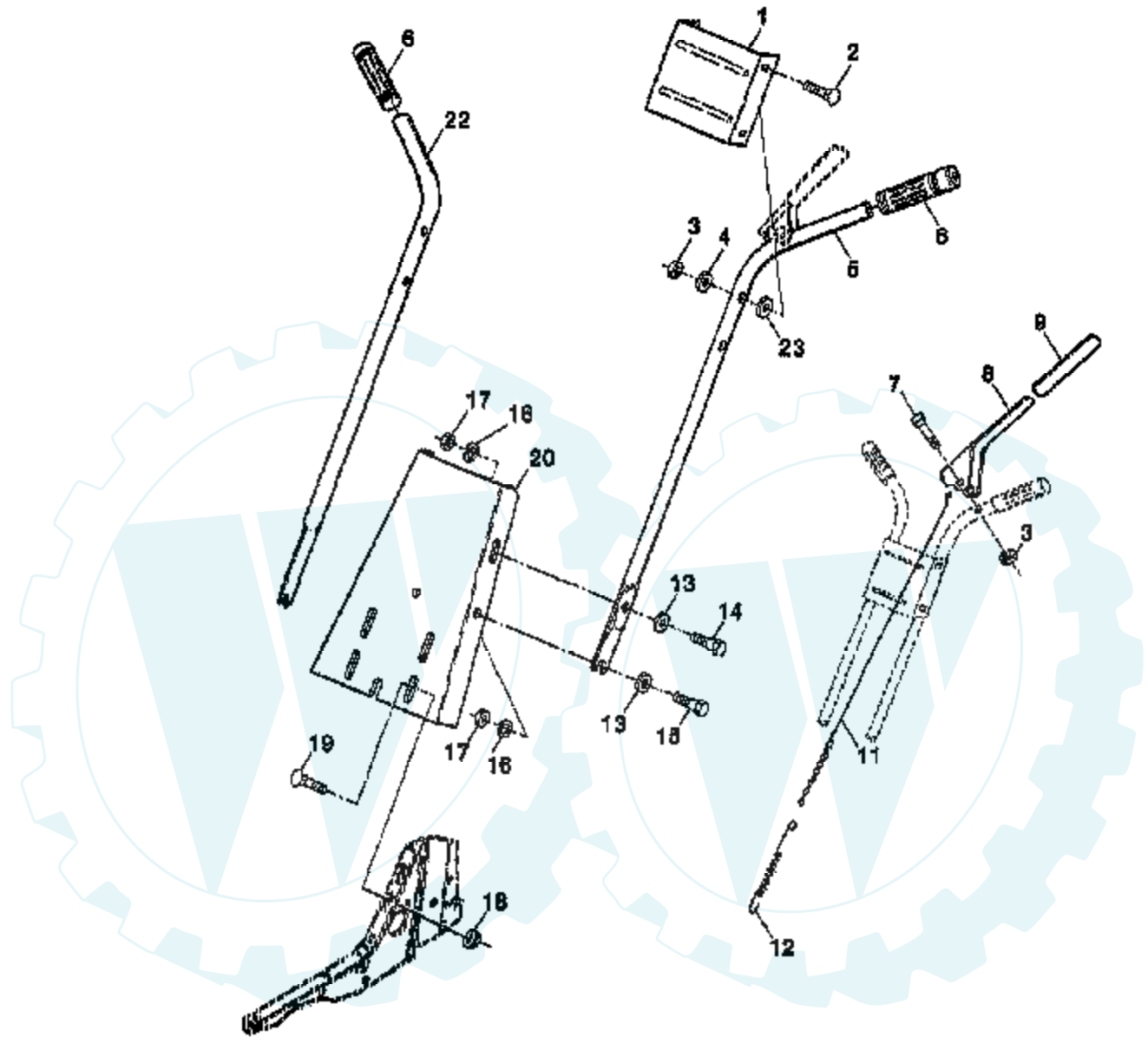


Ref #	Part Number	Qty	Description
1	162413		DECAL.LOGO.CONTROL
2	162870		DECAL.LOGO
3	273721		DECAL, 5HP
4	110613X		DECAL TI
5	110614X		DECAL TI
6	110612X		DECAL TI
7	271948		DECAL, BRIGGS & STRATTON
8	120076X		SUB= 120075X
	162891		MANUAL.O.WEF500E.E
	162892		MANUAL.O.WEF500E.F



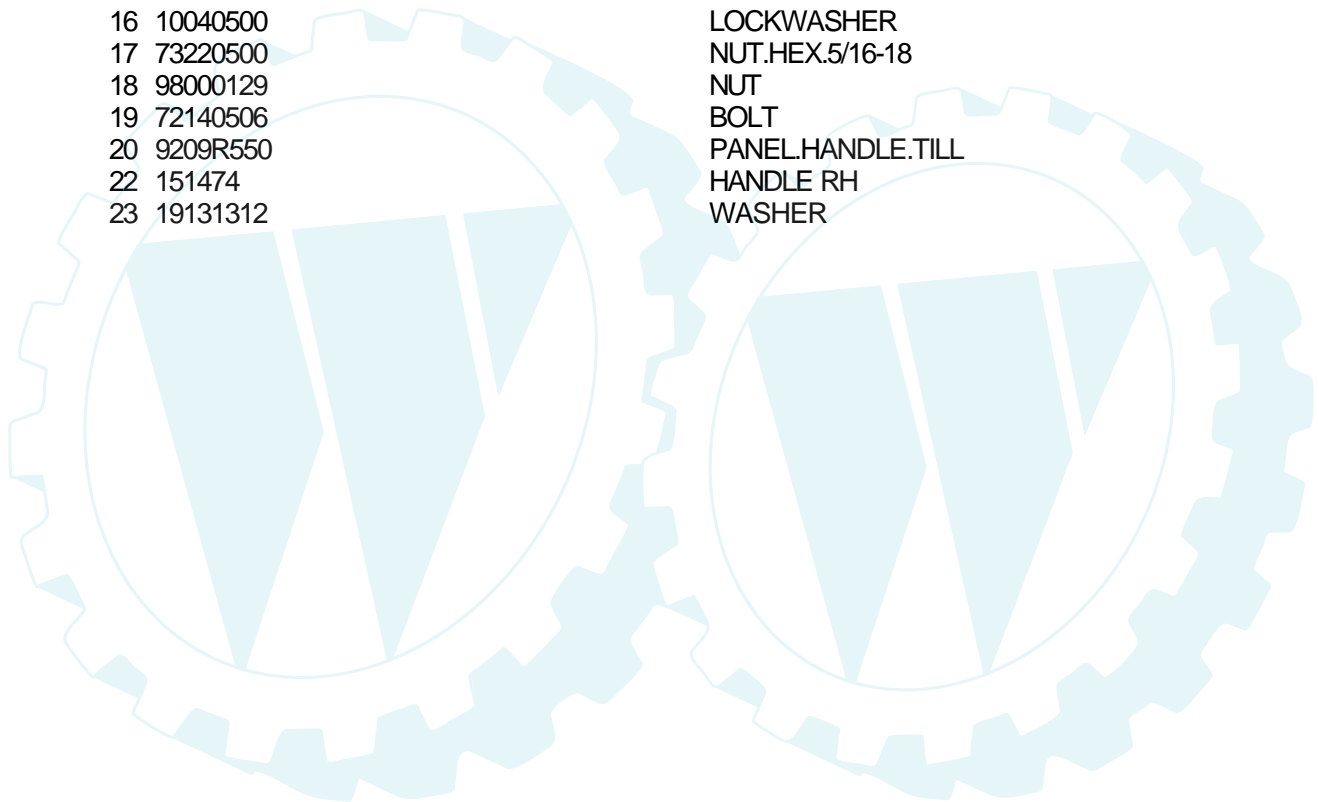
## TILLER - - MODEL NUMBER WEF500E

### HANDLE ASSEMBLY



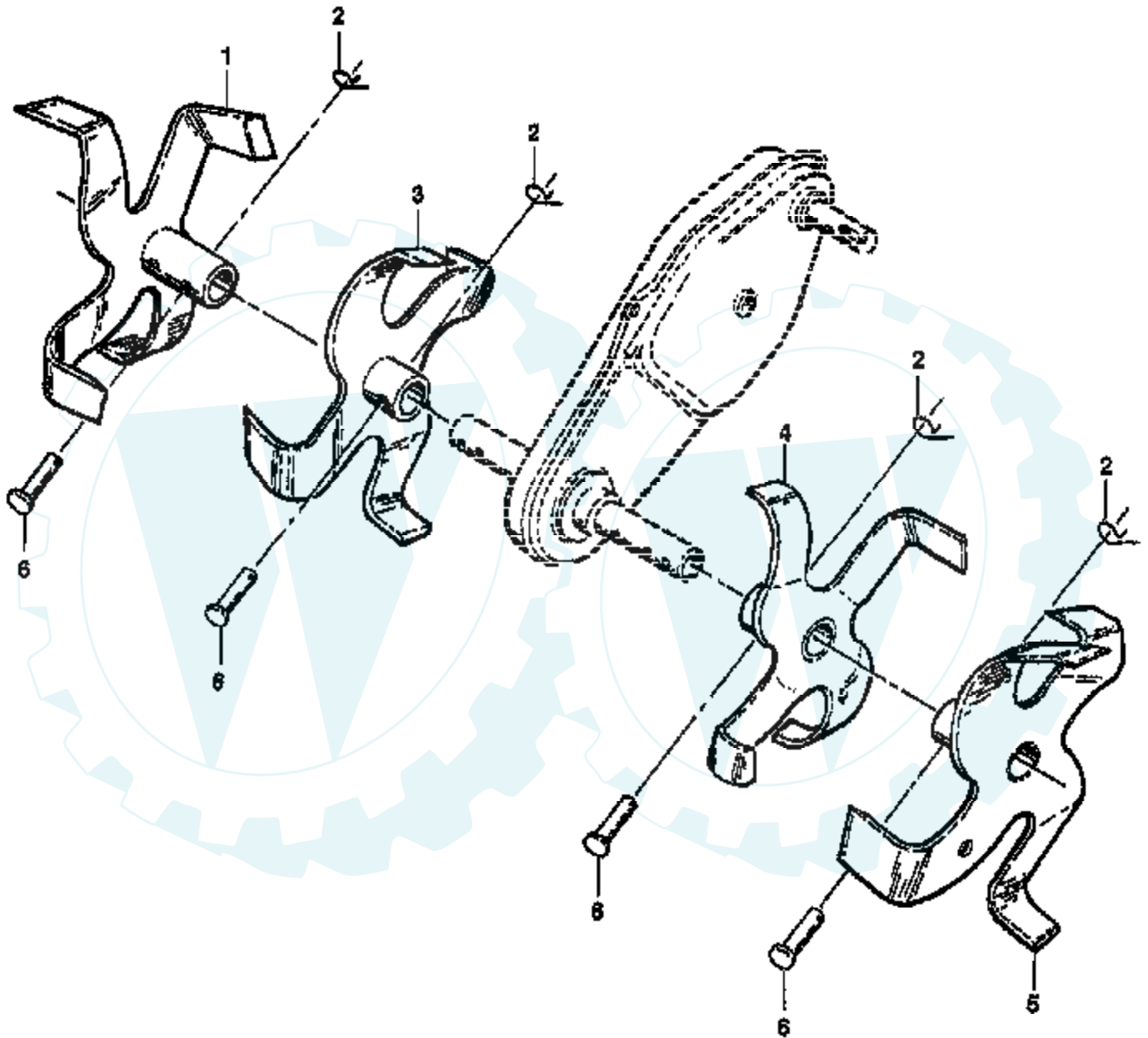
**NOTE:** All component dimensions are given in U.S. inches.  
1 inch = 25.4 mm

Ref #	Part Number	Qty	Description
1	137176X550		PANEL.CNTRL.HDLE.
2	72140512		BOLT
3	73680500		SUB= 73690500
4	19111116		WASHER
5	151473		HANDLE LH
6	9266R		SUB= 624A78
7	74760524		BOLT.HEX.5/16-1.5
8	3069J		SUB= 164937
9	8206H		GRIP T
11	3067J		SUB= 100382K
12	3070J		SPRING EXT TI
13	19121414		WASHER
14	74760516		SUB= 77394
15	74760512		BOLT
16	10040500		LOCKWASHER
17	73220500		NUT.HEX.5/16-18
18	98000129		NUT
19	72140506		BOLT
20	9209R550		PANEL.HANDLE.TILL
22	151474		HANDLE RH
23	19131312		WASHER



## TILLER - - MODEL NUMBER WEF500E

### TINE ASSEMBLY



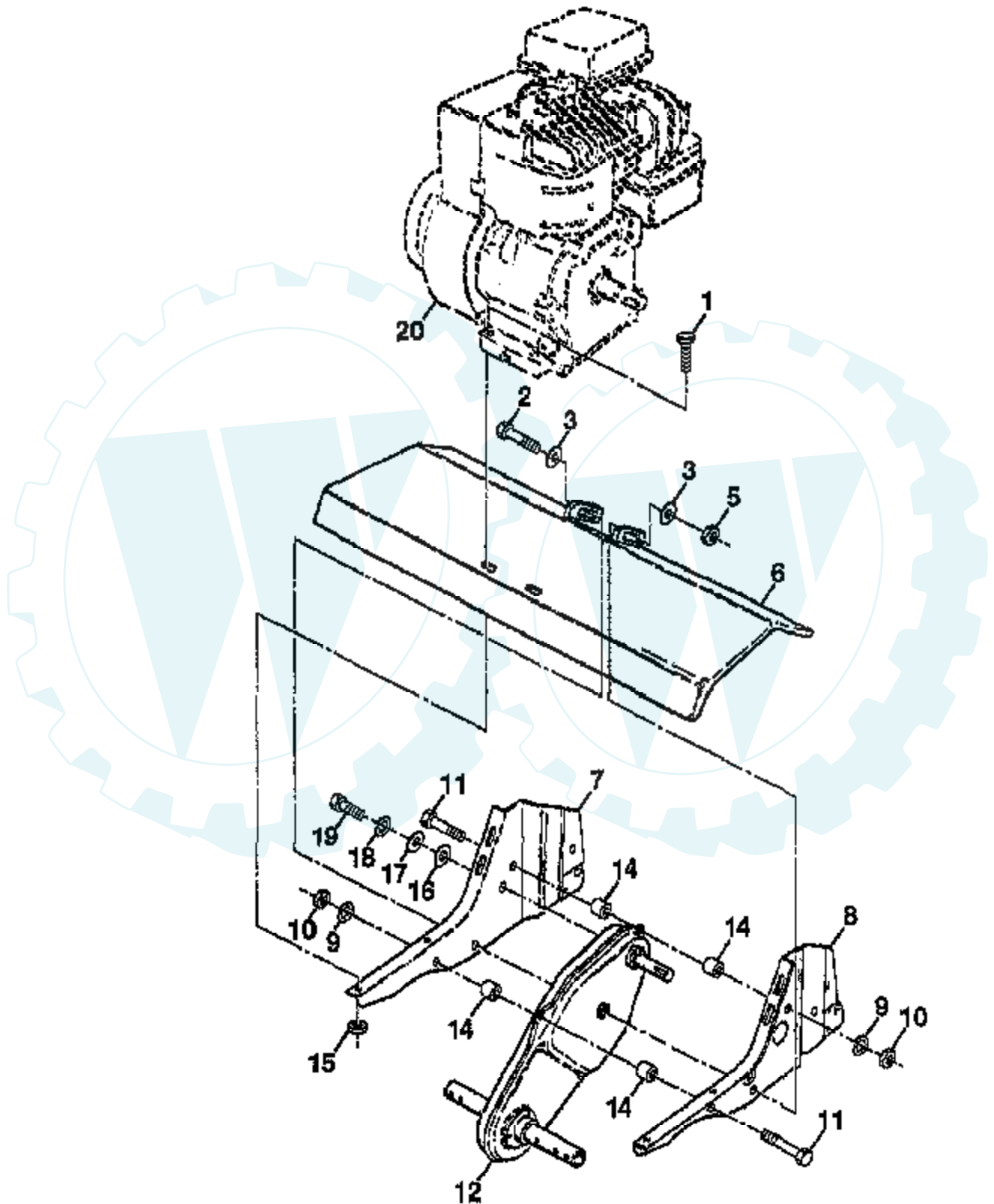
Ref #	Part Number	Qty	Description
1	156926		"TINE ASM OUTER,RH"
2	3146R		RETAINER.SPRING
3	156924		"TINE ASM INNER,RH"
4	156923		TINE ASM INNER LH
5	156925		"TINE ASM OUTER,LH"
6	4929H		RIVET.PAN HD.1.75





## TILLER - - MODEL NUMBER WEF500E

### TRANSMISSION

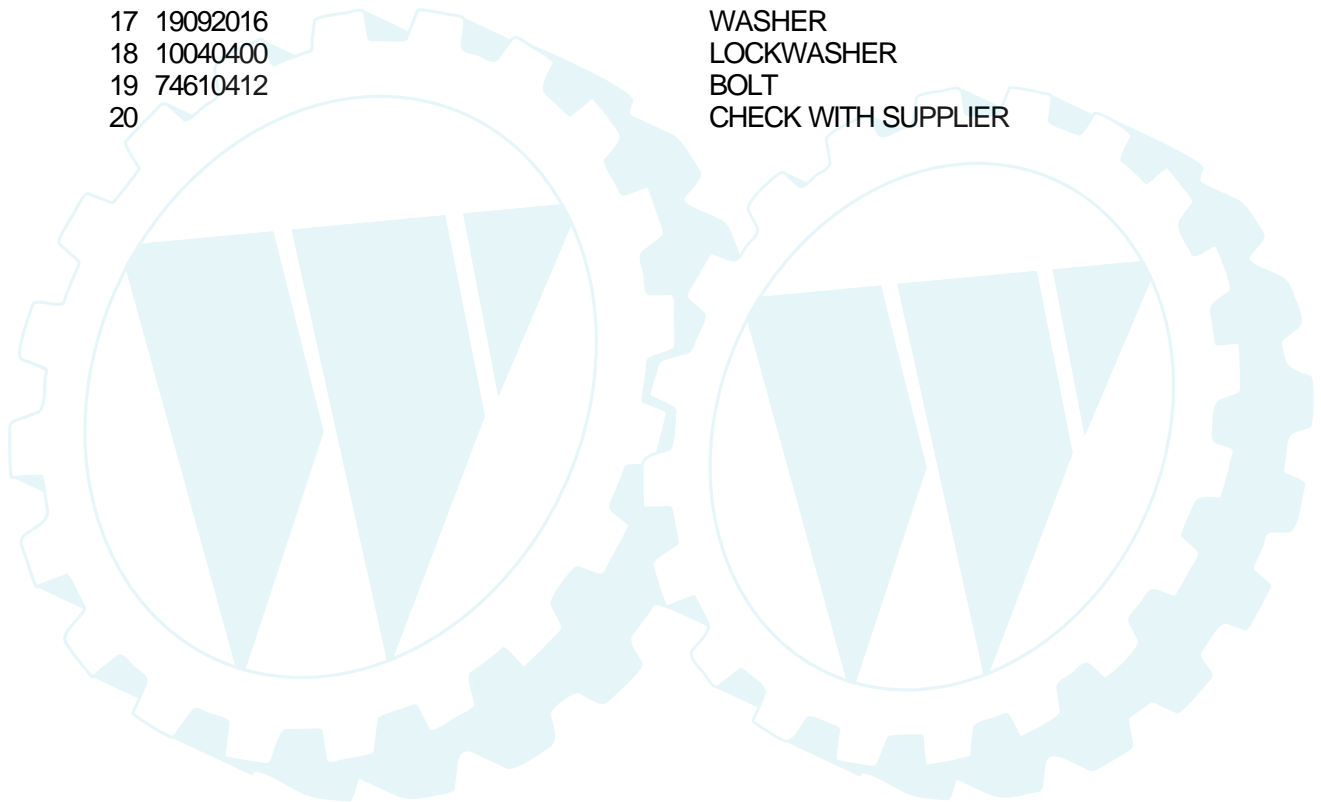


**NOTE:** All component dimensions given in U.S. inches.

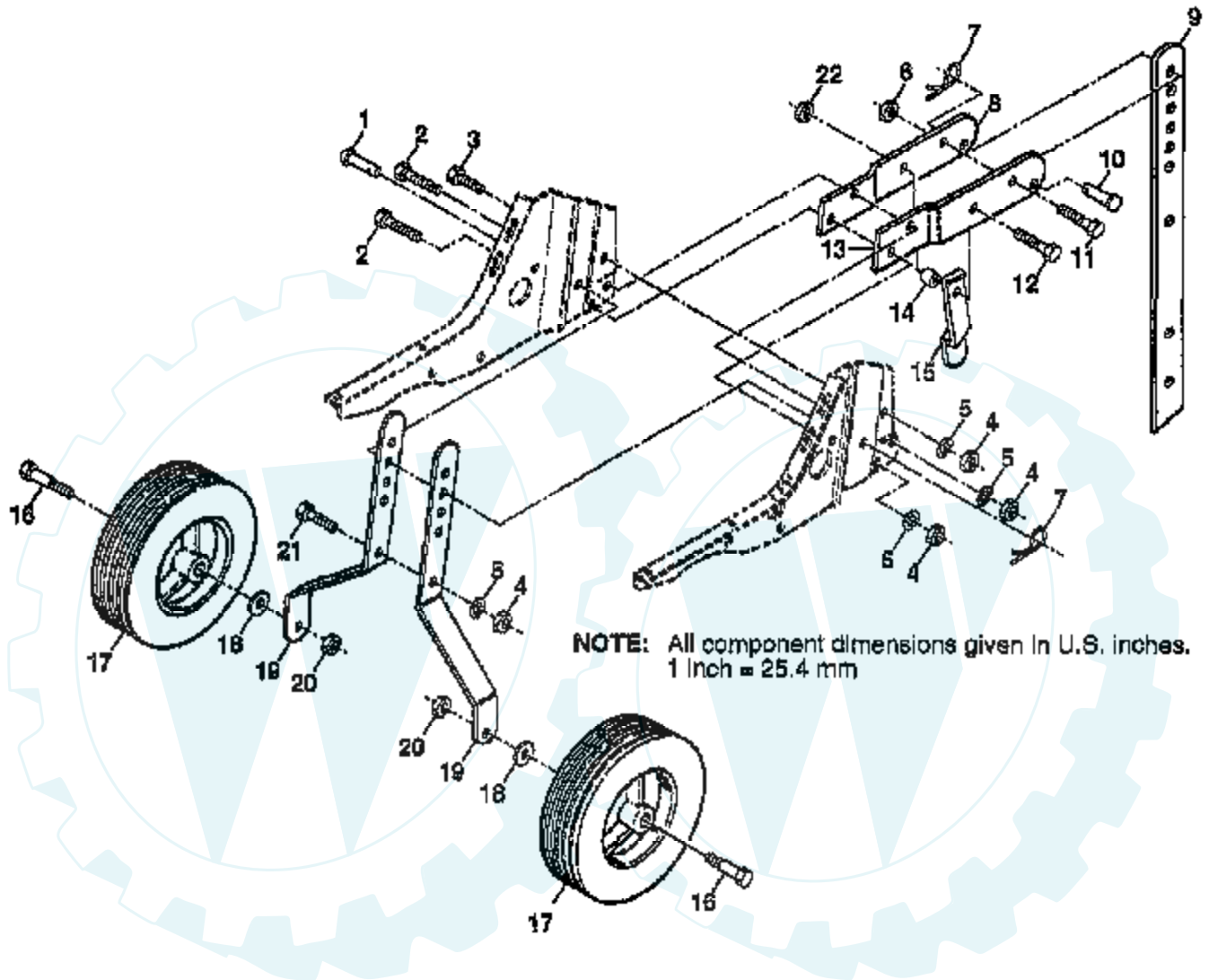
1 inch = 25.4 mm

[Der Ersatzteilspezialist im Internet.](http://www.ersatzteil-service.de)

Ref #	Part Number	Qty	Description
1	74760524		BOLT.HEX.5/16-1.5
2	74780652		BOLT HEX 3/8-16
3	19131311		WASHER
5	73800600		NUT
6	9056R550		SHIELD.PNT.TINE
7	1949J		SUB= 1949J500
8	1948J		ENGINE BRKT LH TI
9	10040500		LOCKWASHER
10	73220500		NUT.HEX.5/16-18
11	74760544		SUB= 74780544
12	151222		SUB= 165808
14	9173R		SPLIT SPACER RT
15	73510500		NUT
16	19091412		WASHER
17	19092016		WASHER
18	10040400		LOCKWASHER
19	74610412		BOLT
20			CHECK WITH SUPPLIER



## TILLER - - MODEL NUMBER WEF500E WHEEL AND DEPTH STAKE ASSEMBLY



Ref #	Part Number	Qty	Description
1	9194R		DRILLED RIVET RT
2	74760520		BOLT
3	74760512		BOLT
4	73220500		NUT.HEX.5/16-18
5	10040500		LOCKWASHER
6	73800600		NUT
7			CHECK WITH SUPPLIER
8	1952J		SUB= 1952J500
9	122233X		SUB= 2582J
10	326J		SUB= 4929H
11	74780628		BOLT
12	74760524		BOLT.HEX.5/16-1.5
13	1951J		SUB= 1951J500
14	120958X		WASHER
15	5388J		STAKE SPRING TI
16	121117X		BOLT SHOULDER
17	9188R		SUB= 107644X
18	19131311		WASHER
19	9190R		SUB= 9190R500
20	73680600		SUB= 73690600
21	74760516		SUB= 77394
22	73800500		NUT

