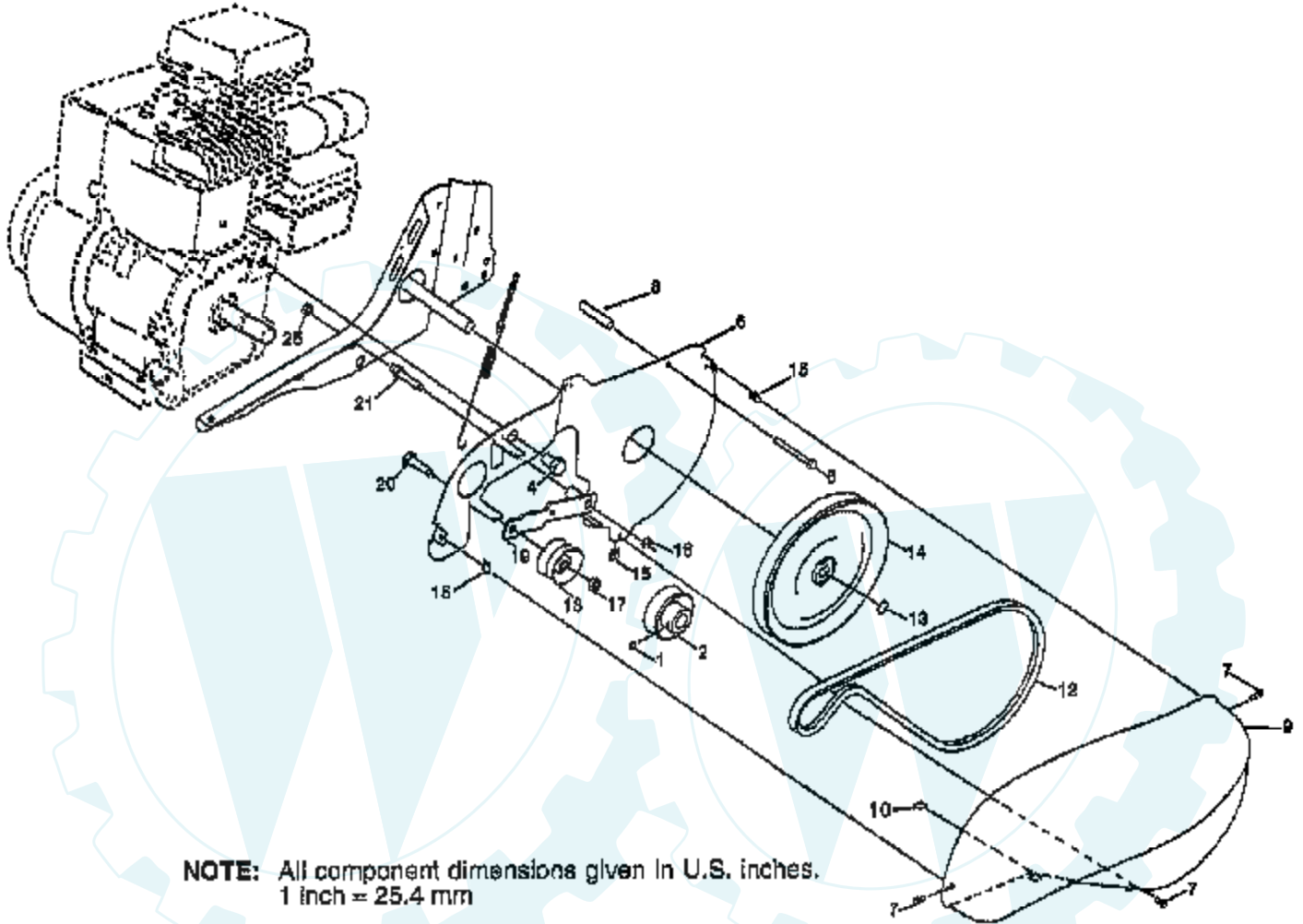
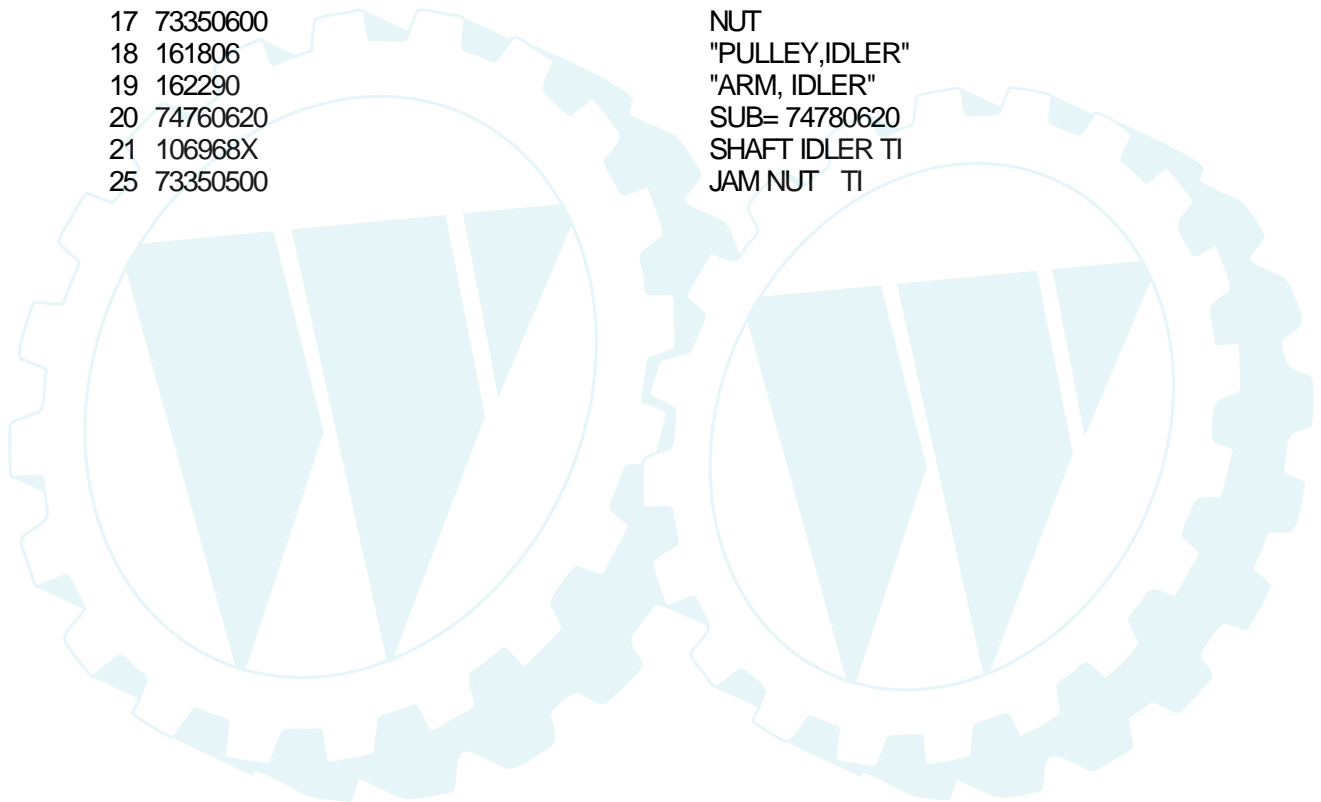


TILLER - - MODEL NUMBER WEF350E BELT GUARD AND PULLEY ASSEMBLY

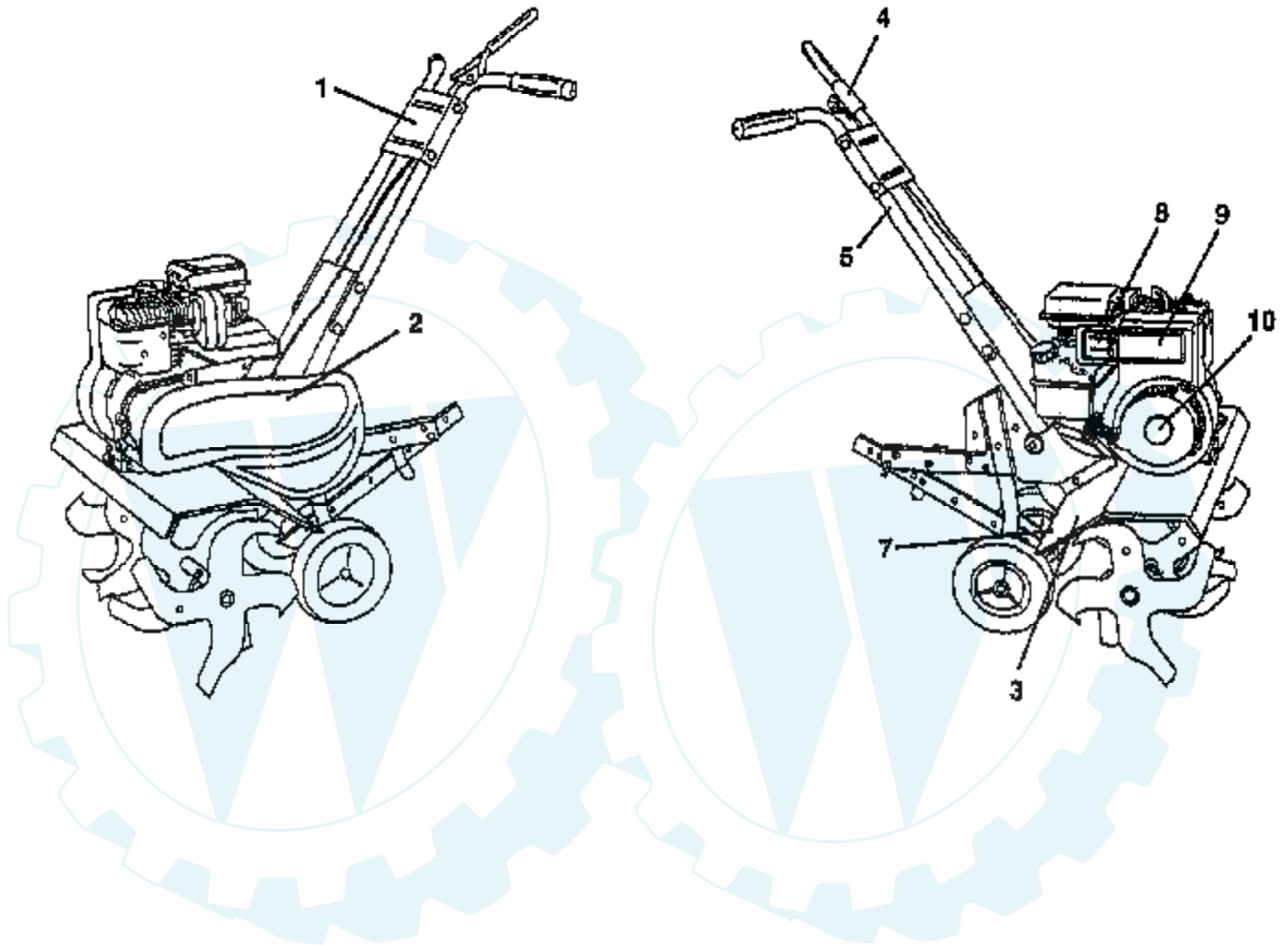


Ref #	Part Number	Qty	Description
1	23230506		SET SCREW
2	130812		ENGINE PULLEY
4	74610812		BOLT.HEX.HEAD
5	17490440		BOLT.ROLLER.1/4-20X2 1/2
6	165770		SHEILD.INNER.GUARD
7	165503		SCREW HX WSH.HD#8-18X1/2
8	139155		SPACER.SPLIT
9	165768X550		GUARD
10	109227X		PAD IDLER TI
12	9180R		V BELT STD
13	12000028		SUB= 2267J
14	151223		SHEAVE.TRANS
15	165504		NUT J CLIP #8
16	12000036		KLIP RING TI
17	73350600		NUT
18	161806		"PULLEY,IDLER"
19	162290		"ARM, IDLER"
20	74760620		SUB= 74780620
21	106968X		SHAFT IDLER TI
25	73350500		JAM NUT TI



TILLER - - MODEL NUMBER WEF350E

DECALS

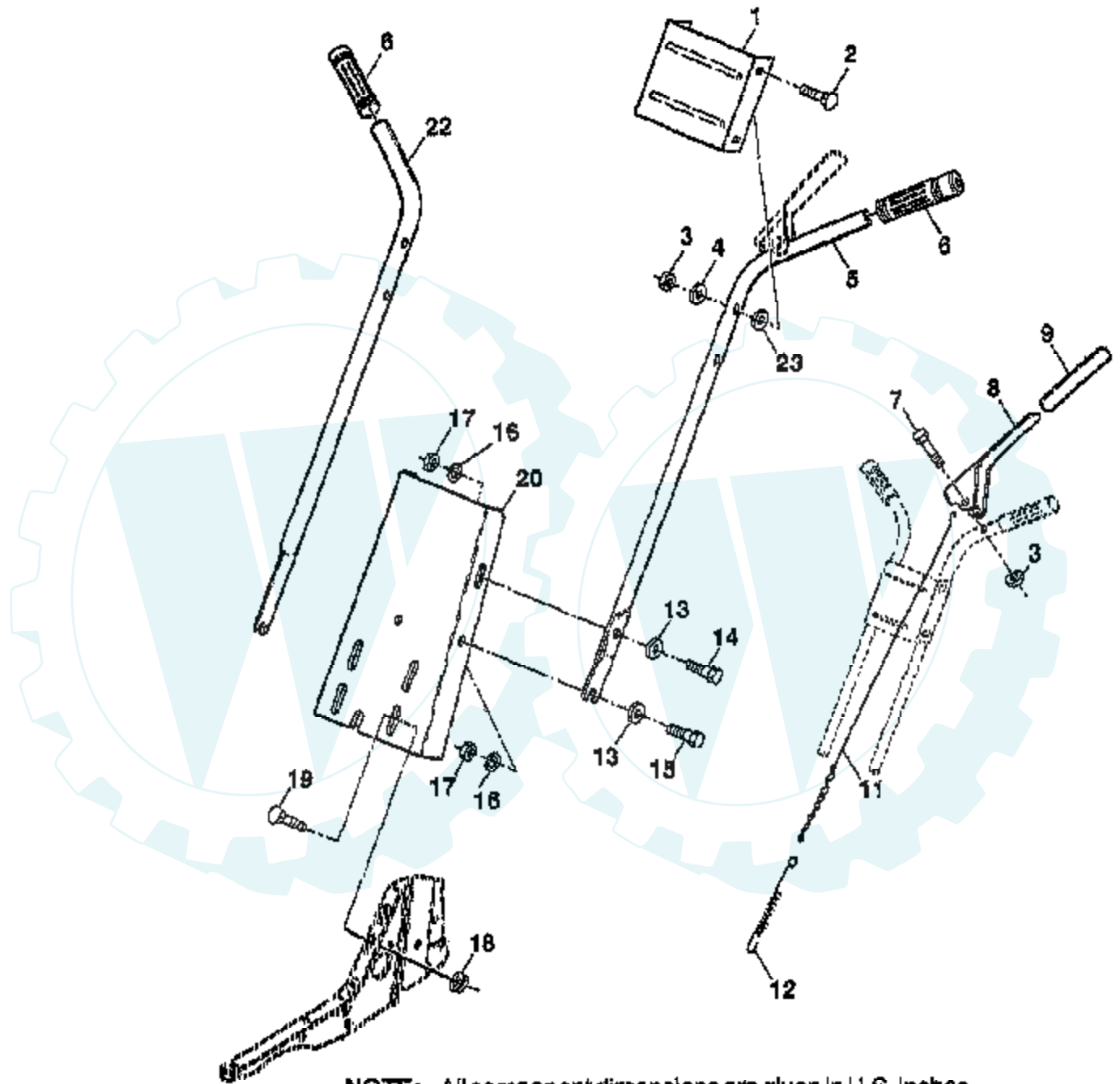


Ref #	Part Number	Qty	Description
1	162413		DECAL.LOGO.CONTROL
2	166803		DECAL
3	162384		DECAL.CAUTION
4	110613X		DECAL T1
5	110614X		DECAL T1
7	120076X		SUB= 120075X
8	165327		DECAL.SPEED.CONTROL
9	165269		SUB= 273199
10	165277		DECAL
	168124		MANUAL, OWNER'S
	168125		MANUAL, OWNER'S



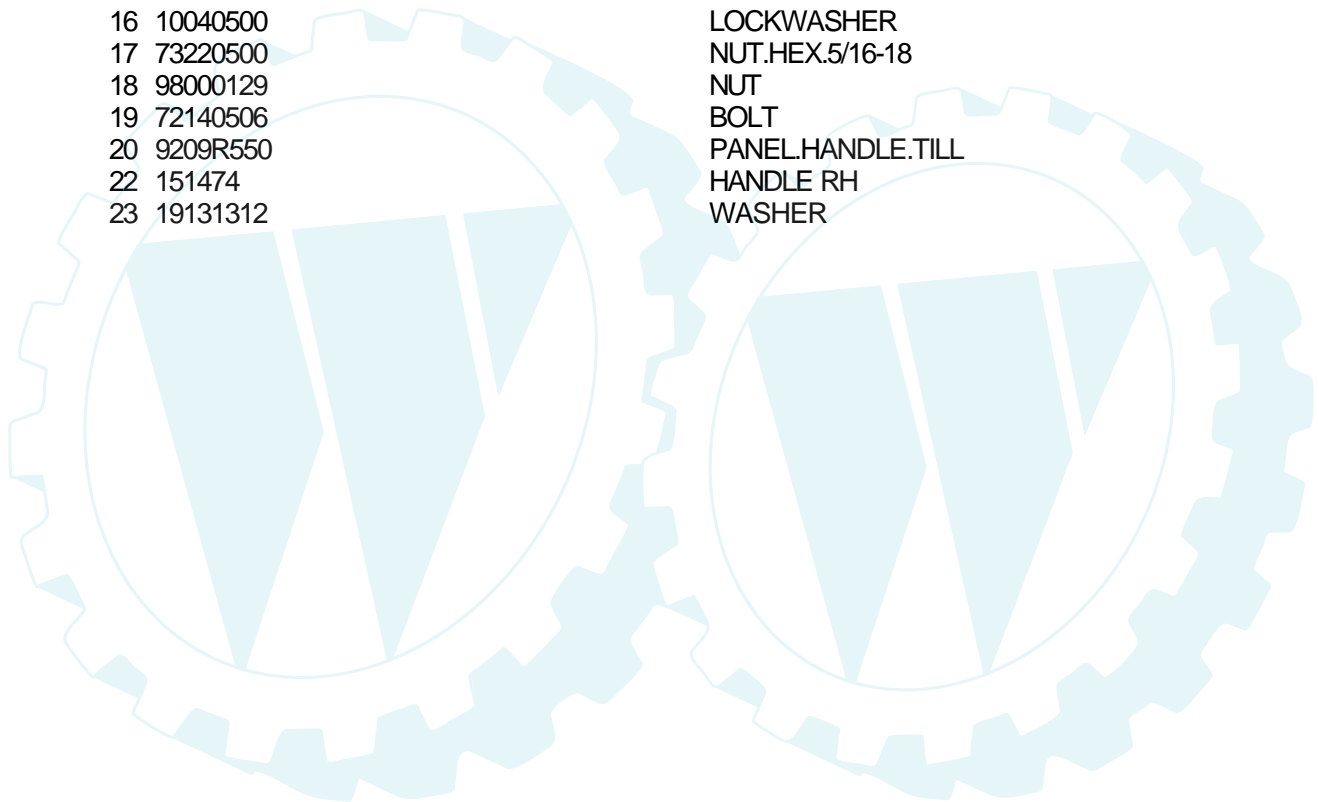
TILLER - - MODEL NUMBER WEF350E

HANDLE ASSEMBLY



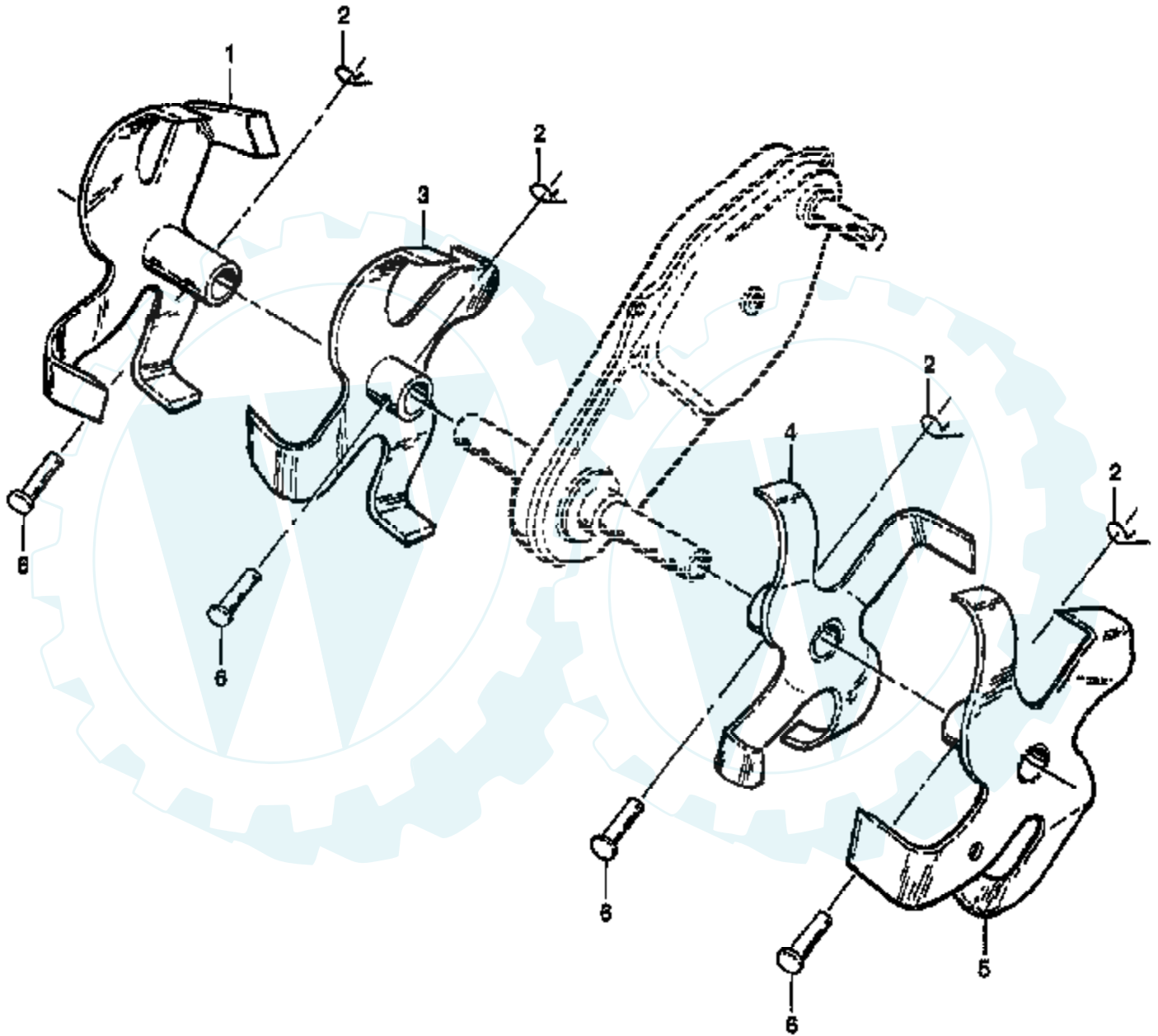
NOTE: All component dimensions are given in U.S. inches.
1 inch = 25.4 mm

Ref #	Part Number	Qty	Description
1	137176X550		PANEL.CNTRL.HDLE.
2	72140512		BOLT
3	73680500		SUB= 73690500
4	19111116		WASHER
5	151473		HANDLE LH
6	9266R		SUB= 624A78
7	74760524		BOLT.HEX.5/16-1.5
8	164937		LEVER.CONTROL.TINE
9	8206H		GRIP T
11	3067J		SUB= 100382K
12	3070J		SPRING EXT TI
13	19121414		WASHER
14	74760516		SUB= 77394
15	74760512		BOLT
16	10040500		LOCKWASHER
17	73220500		NUT.HEX.5/16-18
18	98000129		NUT
19	72140506		BOLT
20	9209R550		PANEL.HANDLE.TILL
22	151474		HANDLE RH
23	19131312		WASHER



TILLER - - MODEL NUMBER WEF350E

TINE ASSEMBLY

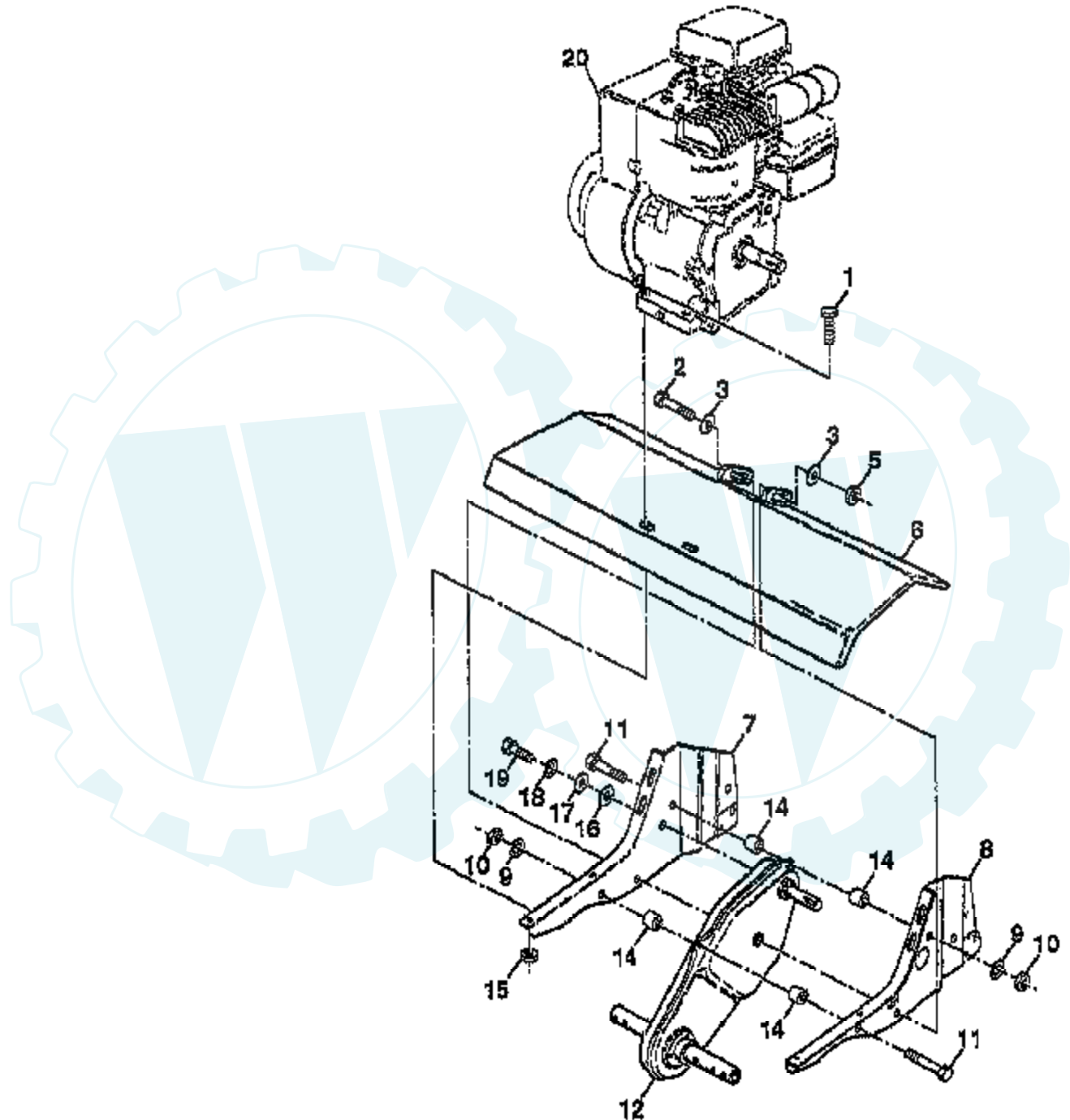


Ref #	Part Number	Qty	Description
1	165774		"TINE.ASM.OUTER.RH.12""
2	4921H		SPRING.RETAINER
3	165772		"TINE.ASM.INNER.RH.12""
4	165771		"TINE.ASM.INNER.LH.12""
5	165773		"TINE.ASM.OUTER.LH.12""
6	9194R		DRILLED RIVET RT



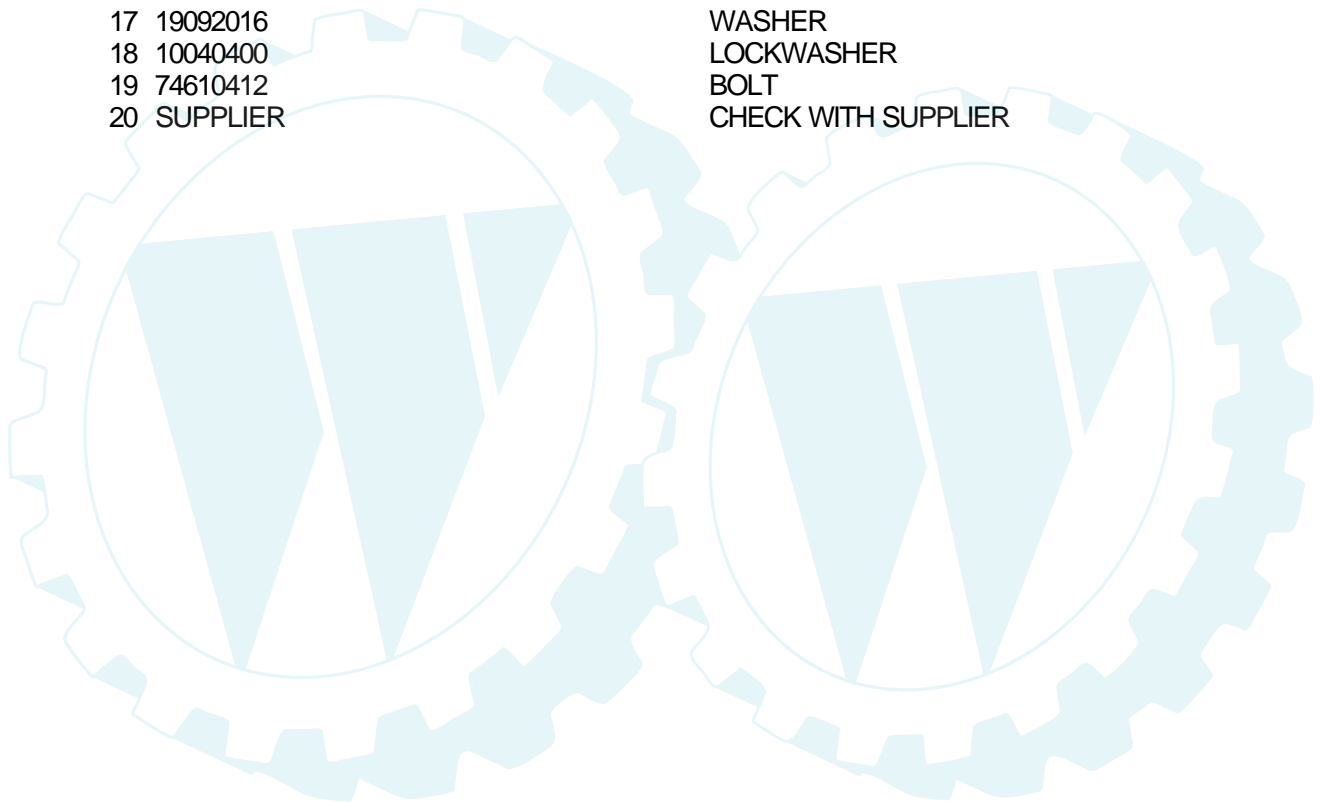
TILLER - - MODEL NUMBER WEF350E

TRANSMISSION

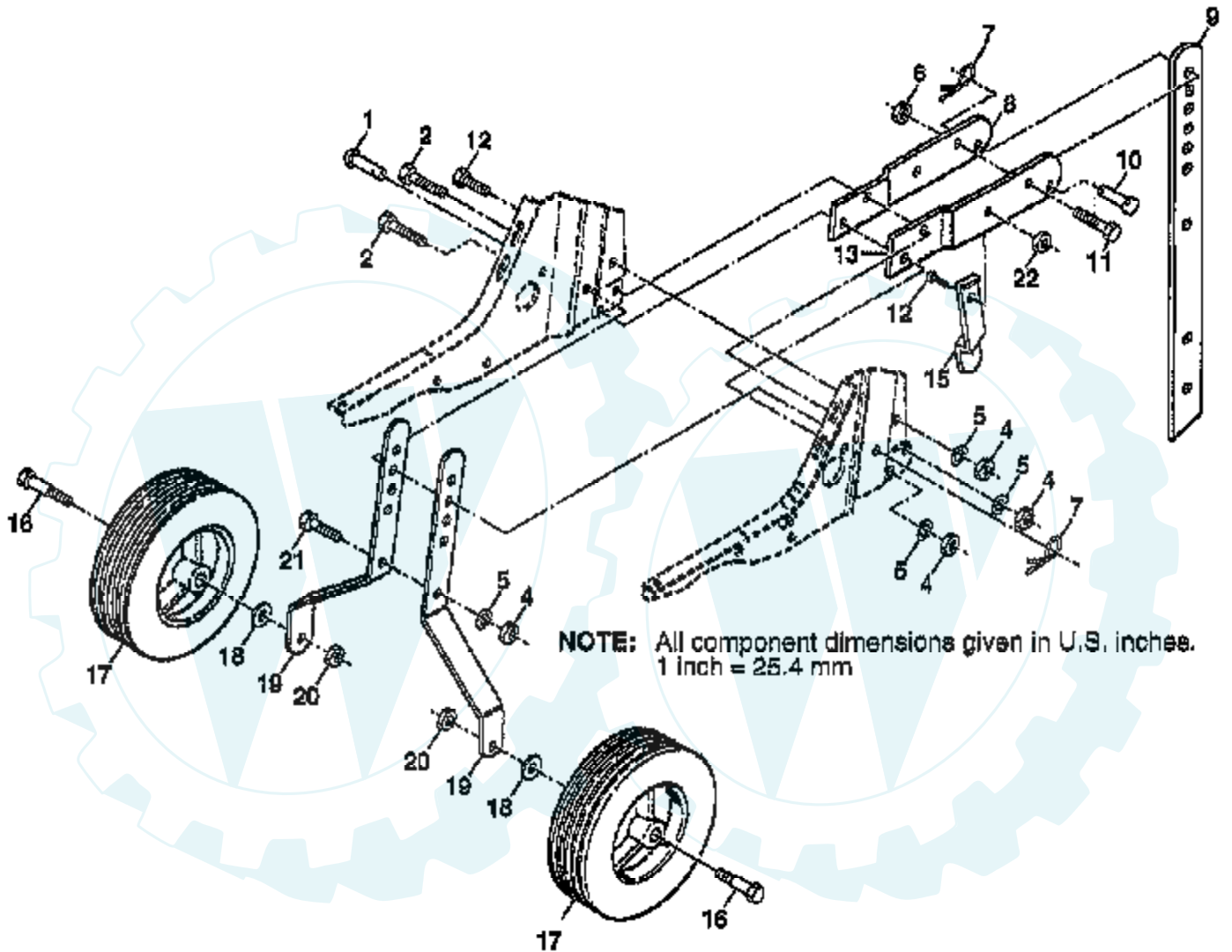


NOTE: All component dimensions given in U.S. inches.
1 Inch = 25.4 mm

Ref #	Part Number	Qty	Description
1	74760524		BOLT.HEX.5/16-1.5
2	74780652		BOLT HEX 3/8-16
3	19131311		WASHER
5	73800600		NUT
6	9056R550		SHIELD.PNT.TINE
7	165835		BRACKET.ENGINE.RH
8	165834		BRKT.ENGINE.LH
9	10040500		LOCKWASHER
10	73220500		NUT.HEX.5/16-18
11	74760544		SUB= 74780544
12	151937		SUB= 165810
14	9173R		SPLIT SPACER RT
15	73510500		NUT
16	19091412		WASHER
17	19092016		WASHER
18	10040400		LOCKWASHER
19	74610412		BOLT
20	SUPPLIER		CHECK WITH SUPPLIER



TILLER - - MODEL NUMBER WEF350E WHEEL AND DEPTH STAKE ASSEMBLY



Ref #	Part Number	Qty	Description
1	9194R		DRILLED RIVET RT
2	74760520		BOLT
4	73220500		NUT.HEX.5/16-18
5	10040500		LOCKWASHER
6	73800600		NUT
7	4921H		SPRING.RETAINER
8	318J		STAKE.SUPT.TILLER
9	9193R		SUB= 9193R500
10	9551R		DRILLED RIVET RT
11	74760524		BOLT.HEX.5/16-1.5
12	74760512		BOLT
13	317J		SUB= 317J500
15	5388J		STAKE SPRING TI
16	121117X		BOLT SHOULDER
17	9186R		SUB= STD333760
18	19131311		WASHER
19	9190R		SUB= 9190R500
20	73680600		SUB= 73690600
21	74760516		SUB= 77394
22	73800500		NUT

