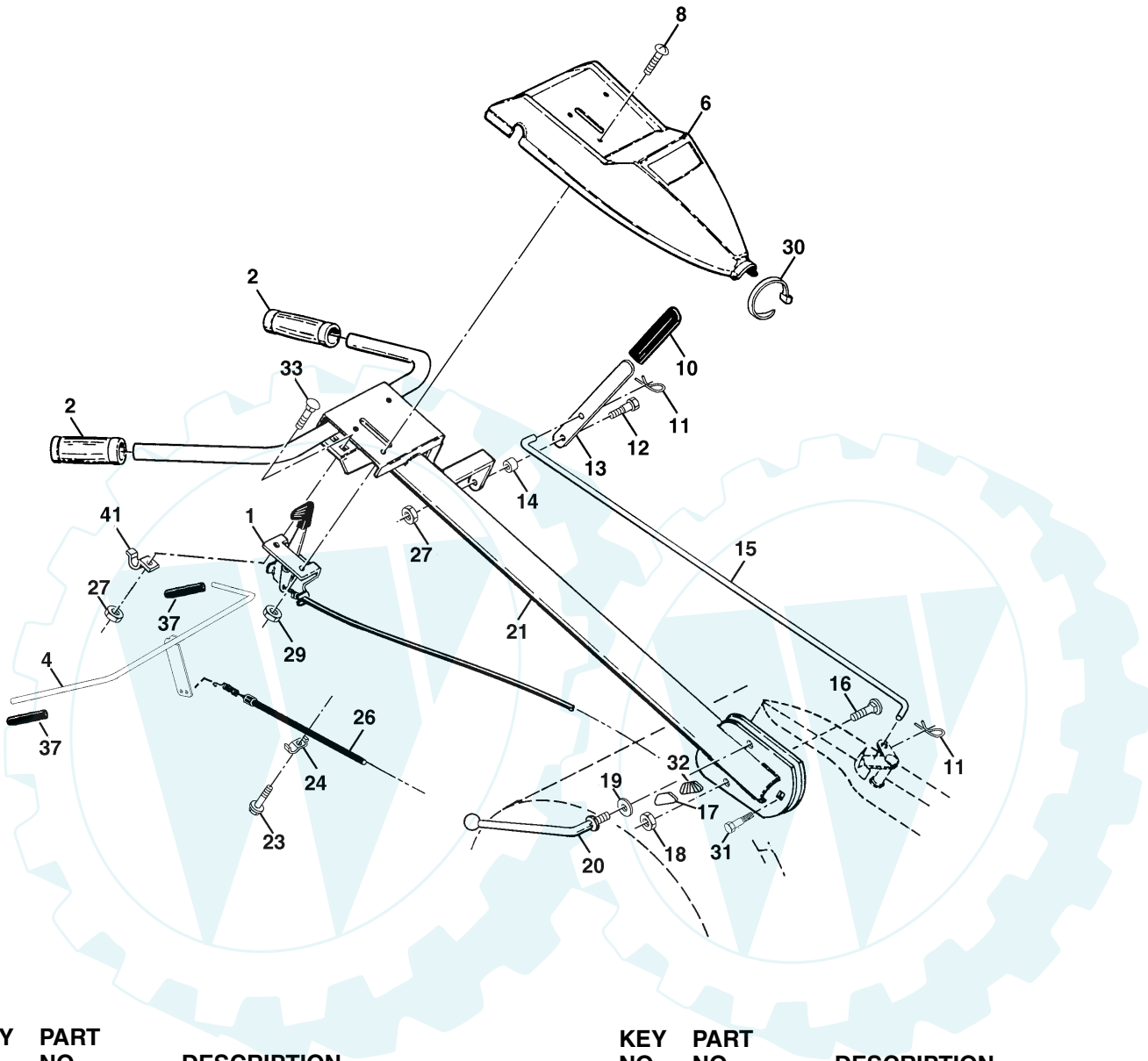


# REPAIR PARTS

[www.ersatzteil-service.de](http://www.ersatzteil-service.de)

## TILLER - - MODEL NUMBER SOR900A

### HANDLE ASSEMBLY



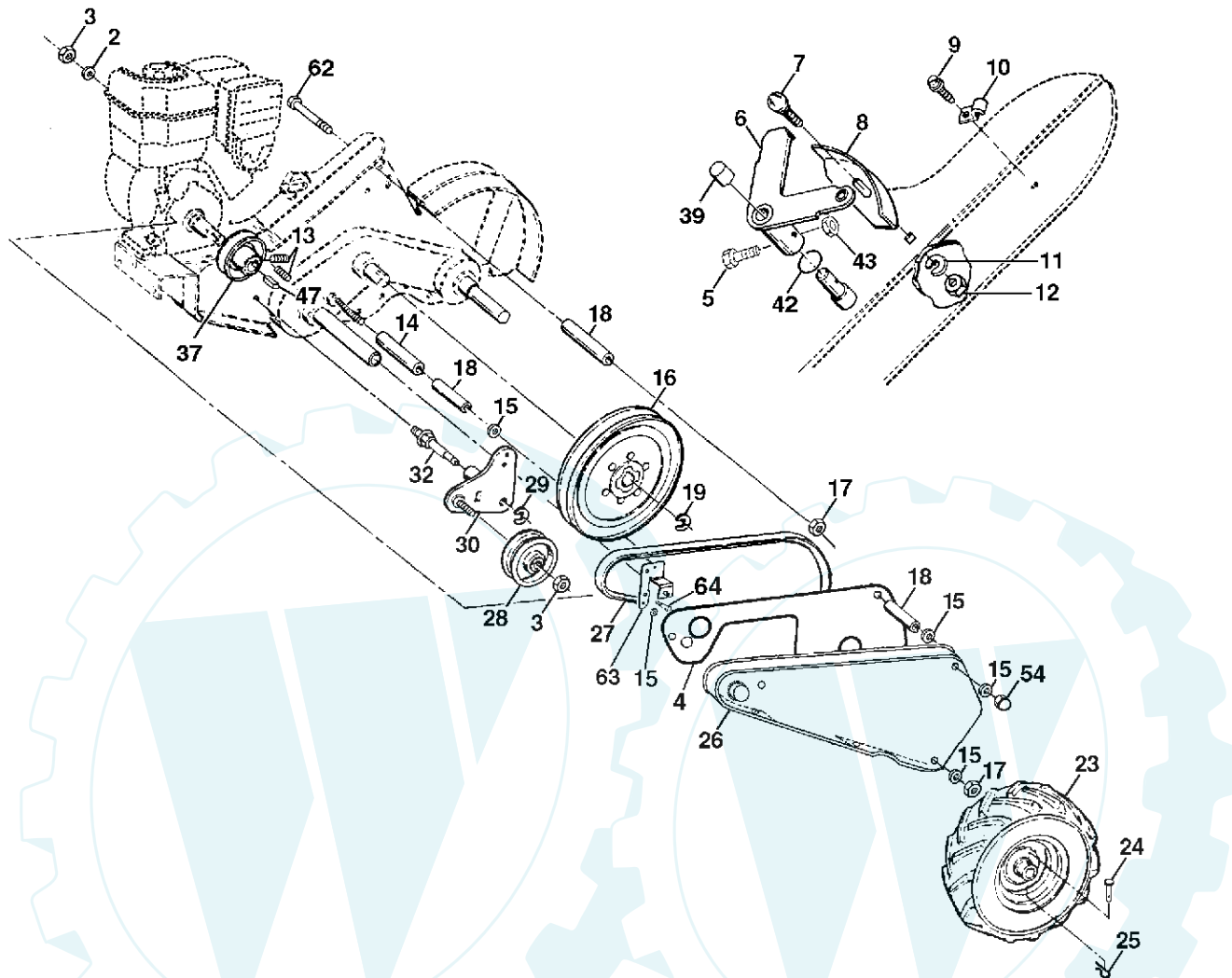
KEY NO.	PART NO.	DESCRIPTION
1	180638	Control, Throttle
2	9266R	Grip, Handle
4	159228	Bar Assembly, Control
6	180678	Panel, Control
8	71191008	Screw, Truss Hd. #10-24 Unc x 1/2
10	8206H	Grip, Handle
11	4497H	Clip, Hairpin
12	81328	Bolt, Shoulder
13	109335X	Handle, Shift
14	109313X	Grommet, Rubber
15	138400	Rod, Shift
16	72110608	Bolt, Carriage 3/8-16 x 1 Gr. 5
17	109229X	Lock, Handle
18	73680600	Nut, Crownlock 3/8-16 UNC
19	19131611	Washer 13/32 x 1 x 11 Ga.
20	5109228X	Lever, Lock, Handle

KEY NO.	PART NO.	DESCRIPTION
21	180517X417	Handle
23	86777	Screw, Hex Washer SLT #10-24 x .50
24	9484R	Clip
26	159607	Cable, Clutch
27	73900400	Nut, Hex Flange 1/4-20 UNC
29	73731000	Nut, Keps #10-24 UNC
30	104164X	Tie, Cable
31	150696	Bolt, Pivot
32	138283	Lock, Handle
33	72140404	Bolt, Carriage 1/4-20 UNC x 1/2
37	102604X	Grip, Bar, Control
41	102744X	Clamp, Bar, Control

**NOTE:** All component dimensions given in U.S. inches.  
1 inch = 25.4 mm

## TILLER - - MODEL NUMBER SOR900A

### MAINFRAME, LEFT SIDE



KEY NO.	PART NO.	DESCRIPTION
2	10040600	Washer, Lock 3/8
3	73220600	Nut, Hex 3/8-16
4	180046	Shield, Inner Belt Guard RT
5	154734	Screw, Shift Lever
6	110111X	Lever, Shift
7	72110404	Bolt, Carriage 1/4-20 x 1/2 Gr. 5
8	8700J	Plate, Shift Indicator
9	86777	Screw, Hex, Washer Head, Slotted #10-24 x 1/2
10	9484R	Clip
11	10040400	Washer, Lock 1/4
12	73220400	Nut, Hex 1/4-20
13	23230506	Screw, Set, Hex 5/16-18 x 3/8
14	156117	Spacer, Split 0.327 x 0.42 x 1.220
15	19111116	Washer 11/32 x 11/16 x 16 Ga.
16	145102	Sheave, Transmission
17	73220500	Nut Hex 5/16-18
18	131691	Spacer Split
19	12000028	Ring, Retainer
23	5015J	Tire
	183121X624	Rim
	795R	Tire Valve

KEY NO.	PART NO.	DESCRIPTION
24	4929H	Rivet, Drilled
25	4921H	Clip, Hairpin
26	175772X417	Guard, Belt
27	138399	Belt, V
28	104679X	Pulley, Idler
29	12000032	Ring, Klip
30	159229	Bracket, Idler
32	139401	Shaft, Idler Arm
37	4368J	Sheave, Engine
39	140062	Cap Plunger
42	106160X	O-Ring
43	69180	Nut, Lock #10-24
47	4914H	Key
54	104214X	Nut 5/16-18
62	74930572	Bolt Hex 5/16-18 x 4-1/2
63	175797	Bracket Asm Guard
64	74770508	Bolt Fin 5/16-24 Unf x 1/2

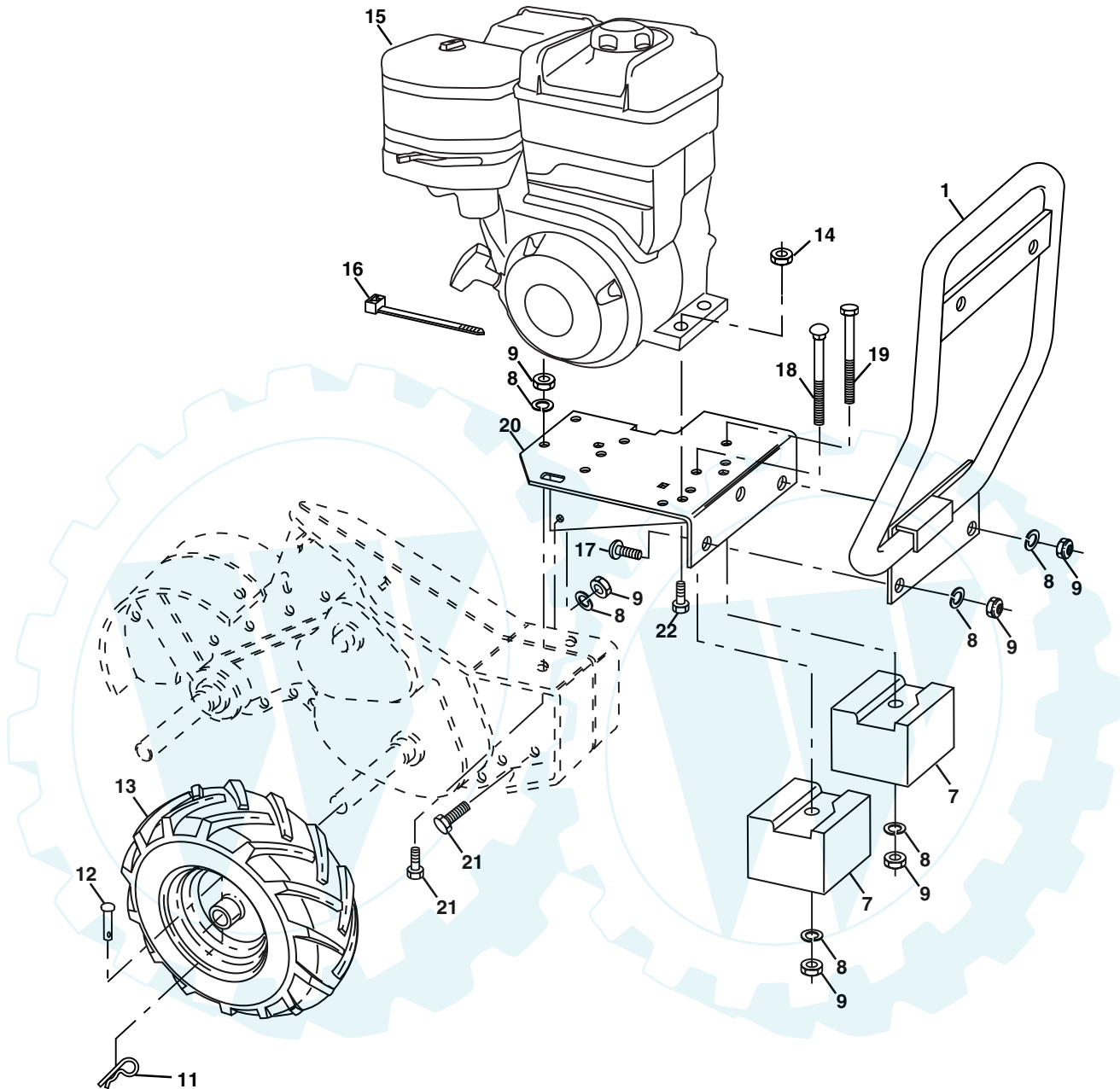
**NOTE:** All component dimensions given in U.S. inches.  
1 inch = 25.4 mm

# REPAIR PARTS

[www.ersatzteil-service.de](http://www.ersatzteil-service.de)

## TILLER - - MODEL NUMBER SOR900A

### MAINFRAME, RIGHT SIDE



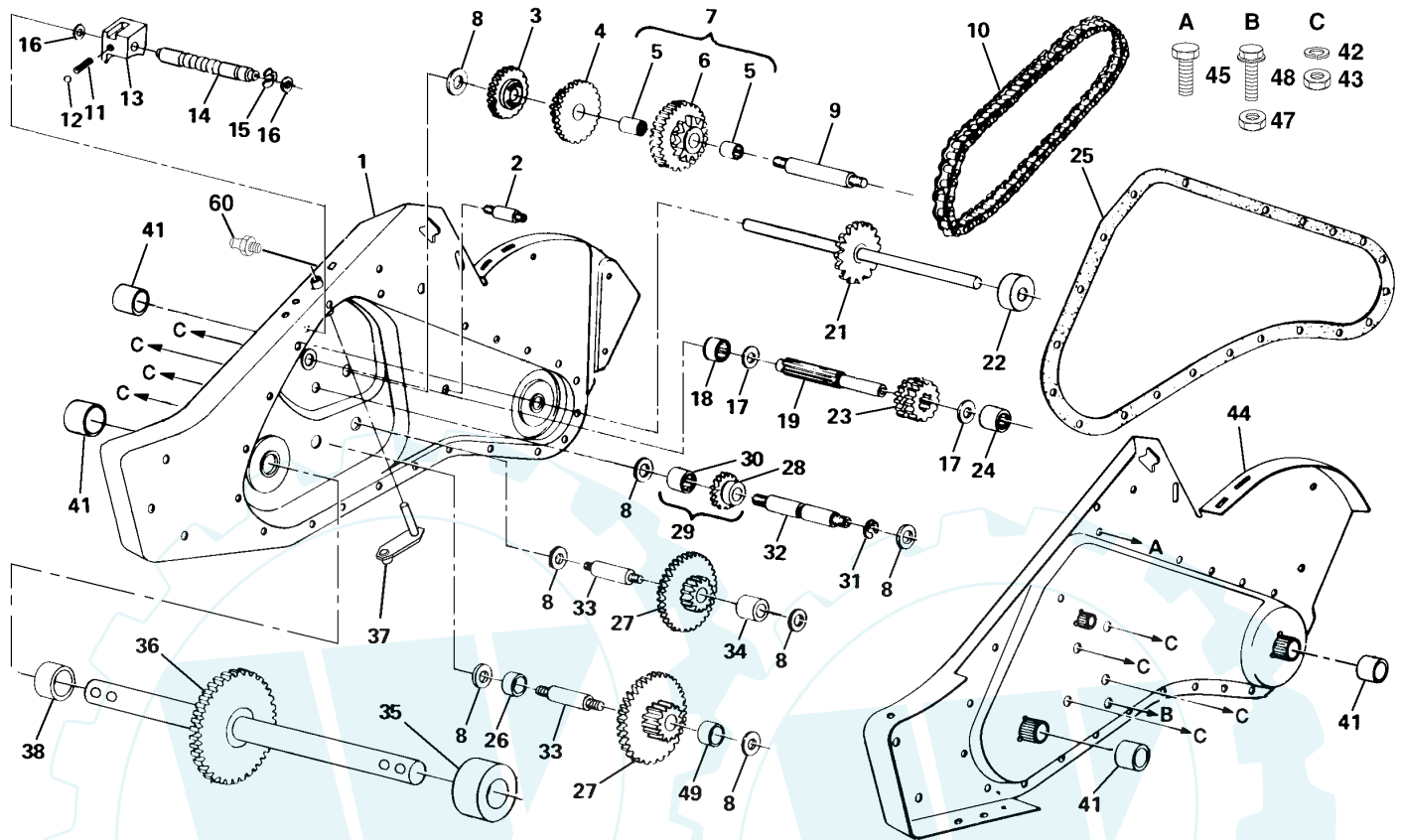
KEY NO.	PART NO.	DESCRIPTION
1	175624	Bumper
7	180275	Counter Weight, R.H.
8	10040600	Washer, Lock 3/8
9	73220600	Nut, Hex 3/8-16
11	4921H	Clip, Hairpin
12	4929H	Rivet, Drilled
13	5015J	Tire
	183121X624	Rim
	795R	Tire Valve
14	73970500	Nut, Lock Hex Flange

KEY NO.	PART NO.	DESCRIPTION
15	-----	Engine, Briggs Model No. 205412 (Order parts from Engine Manufacturer)
16	104164X	Tie Cable
17	72140608	Bolt, Hex 5/16-18 x 1-1/2
18	72470636	Bolt 3/8-16 x 4-1/2
19	74760672	Bolt Hex 3/8-16 x 4-1/2
20	179823	Bracket, Reinforcement
21	74760616	Bolt, Hex 5/16-18 x 2
22	74760524	Bolt Hex Hd 5/16-18 x 1-1/2

**NOTE:** All component dimensions given in U.S.inches.  
1 inch = 25.4 mm

## TILLER - - MODEL NUMBER SOR900A

### TRANSMISSION

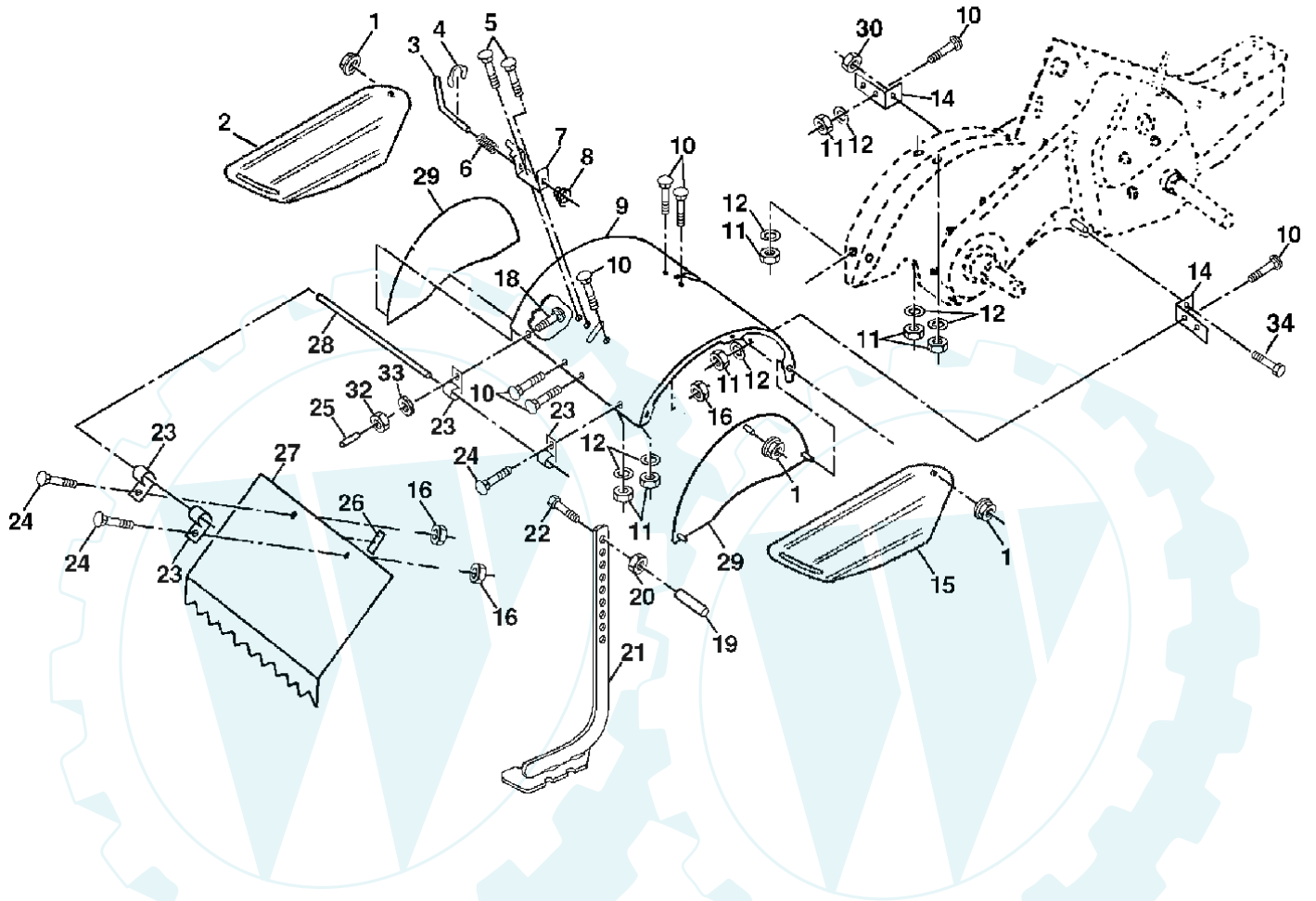


KEY NO.	PART NO.	DESCRIPTION	KEY NO.	PART NO.	DESCRIPTION
--	181337	Transmission Assembly	27	100433M	Gear Cluster
1	181332	Gearcase, R.H. w/Bearing (Includes Key No. 18)	28	8357J	Gear, Reverse Idler
2	181362	Spacer Gearcase	29	144562	Gear, Assembly, Reverse Idler (Includes Key Nos. 28 and 30)
3	175035	Gear Reverse	30	6803J	Bearing, Needle
4	105345X	Gear, Cluster, Red 1st & 2nd	31	12000040	Ring, Klip
5	100413K	Bearing, Needle	32	8356J	Shaft, Reverse Idler
6	144564	Sprocket and Tine Assembly	33	100016K	Shaft, Reduction (2nd)
7	144563	Sprocket Assembly w/Bearing (Includes Key No. 5)	34	106392X	Spacer 0,765 I.D. x 1-1/8 x 1-3/8
8	4358J	Washer	35	106394X	Spacer LH
9	8358J	Shaft, Reduction (1st)	36	100436	Shaft Assembly
10	8371J	Chain, Roller	37	142145	Bracket, Asm.
11	100371K	Spring, Shift, Fork	38	106393X	Spacer RH
12	7392M	Ball, Steel	41	155236	Seal, Asm Oil
13	8353J	Fork, Shift	42	10040700	Push Nut 7/16
14	175372	Shaft, Reduction	43	73610700	Nut, Hex 7/16-20
15	12000039	Ring, Klip	44	181323	Gearcase, L.H. w/Bearing (Includes Key No. 24)
16	154467	Washer, Seal	45	17720510	Thread Cutting Screw 5/16-18 x 5/8
17	1370H	Washer, Thrust 5/8 ID	47	73220500	Nut, Hex 5/16-18
18	4895H	Bearing, Needle	48	100107K	Screw 5/16-18 x 4
19	150695	Shaft Input	49	106391X	Spacer 0.765 ID x 1.12 x 3/4
21	105378X	Tine Shaft Assembly	60	6855M	Fitting, Grease
22	106181X	Spacer 1,008 x 1-3/4 x 0,645	--	6066J	Grease, Plastilube #1
23	175031	Pinion, Input			
24	5020J	Bearing, Needle			
25	164396	Gasket, Gearcase			
26	106389X	Spacer 0,765 I.D. x 1,12 x 5/8			

**NOTE:** All component dimensions given in U.S. inches.  
1 inch = 25.4 mm

## TILLER - - MODEL NUMBER SOR900A

### TINE SHIELD



KEY NO.	PART NO.	DESCRIPTION
1	73900500	Nut, Lock Hex Flange 5/16-18
2	161416X417	Shield, Side, Outer L. H.
3	8393J	Pin, Stake, Depth
4	12000035	Ring, Klip
5	72140508	Bolt, Carriage 5/16-18 Unc x 1
6	8394J	Spring
7	8392J	Bracket, Latch
8	109230X	Spring, Depth Stake
9	170708X417	Shield, Tine
10	180847	Bolt Rdhd Sqnk 5/16-18 x 3/4 ZNC
11	73220500	Nut, Hex 5/16-18
12	10040500	Washer, Lock 5/16
14	124343X	Bracket, Shield Tine
15	161417X417	Shield, Side, Outer R.H.
16	73900400	Nut, Flange Hex 1/4-20 UNC
18	72040410	Bolt, Carriage 1/4-20 x 1-1/4 r. 5
19	102701X	Grip

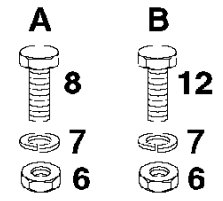
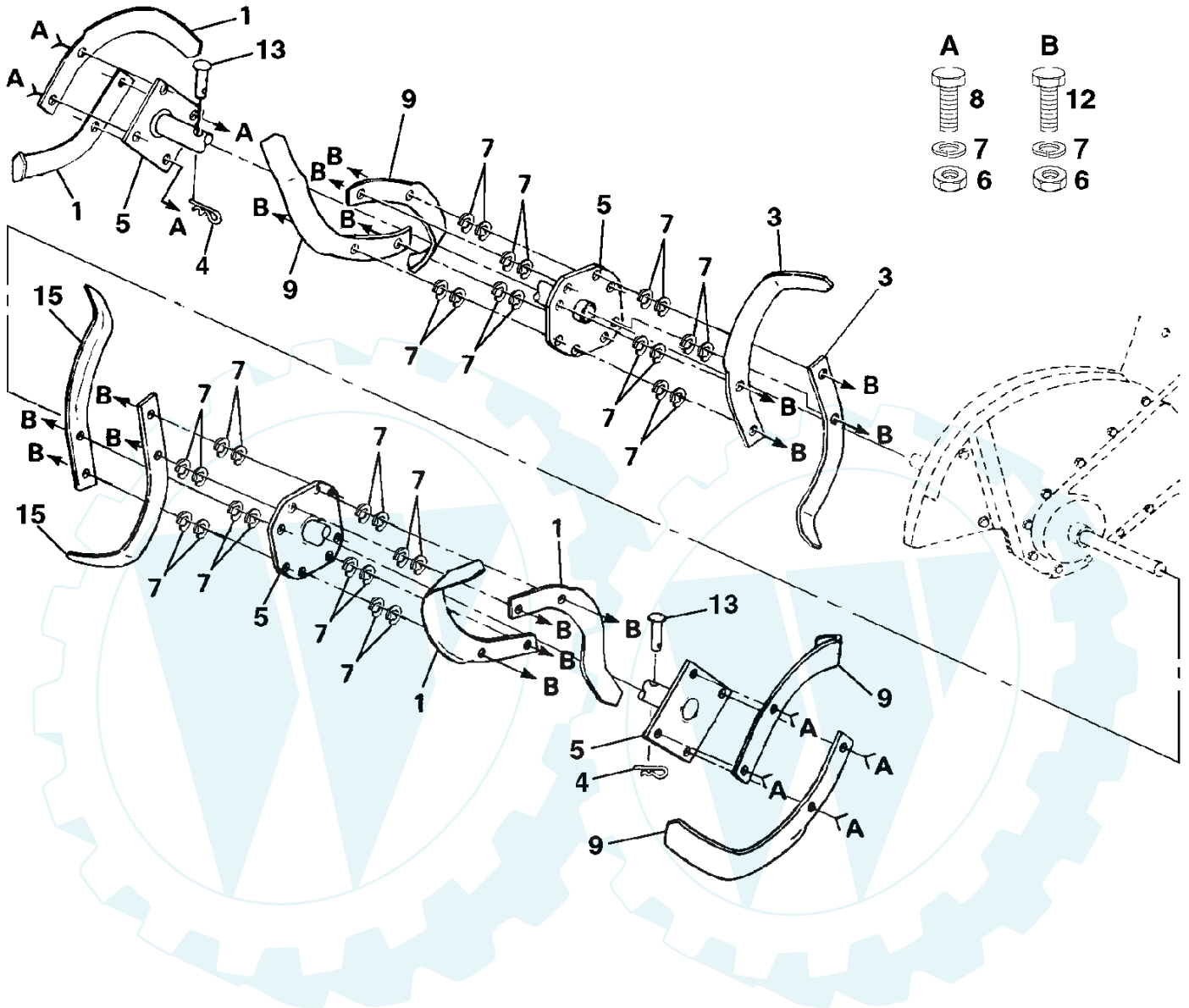
KEY NO.	PART NO.	DESCRIPTION
20	73220600	Nut, Hex 3/8-16
21	138420	Stake, Depth
22	74930632	Bolt, Hex 3/8-16 x 2
23	4440J	Hinge
24	72140404	Bolt, Carriage 1/4-20 x 1/2 Gr.
25	6712J	Cap, Vinyl
26	109227X	Pad, Idler
27	102713X417	Shield, Leveling
28	138609	Pin, Hinge
29	104084X417	Shield, Side
30	73970500	Nut, Lock Hx Flange
32	73220400	Nut, Fin, Hex 1/4-20 UNC
33	10040400	Washer, Lock Hvy Helical 1/4
34	74490536	Bolt Hex Flghd 5/16-18 x 2-1/4

**NOTE:** All component dimensions given in U.S. inches.  
1 inch = 25.4 mm

# REPAIR PARTS

## TILLER - - MODEL NUMBER SOR900A

### TINE ASSEMBLY



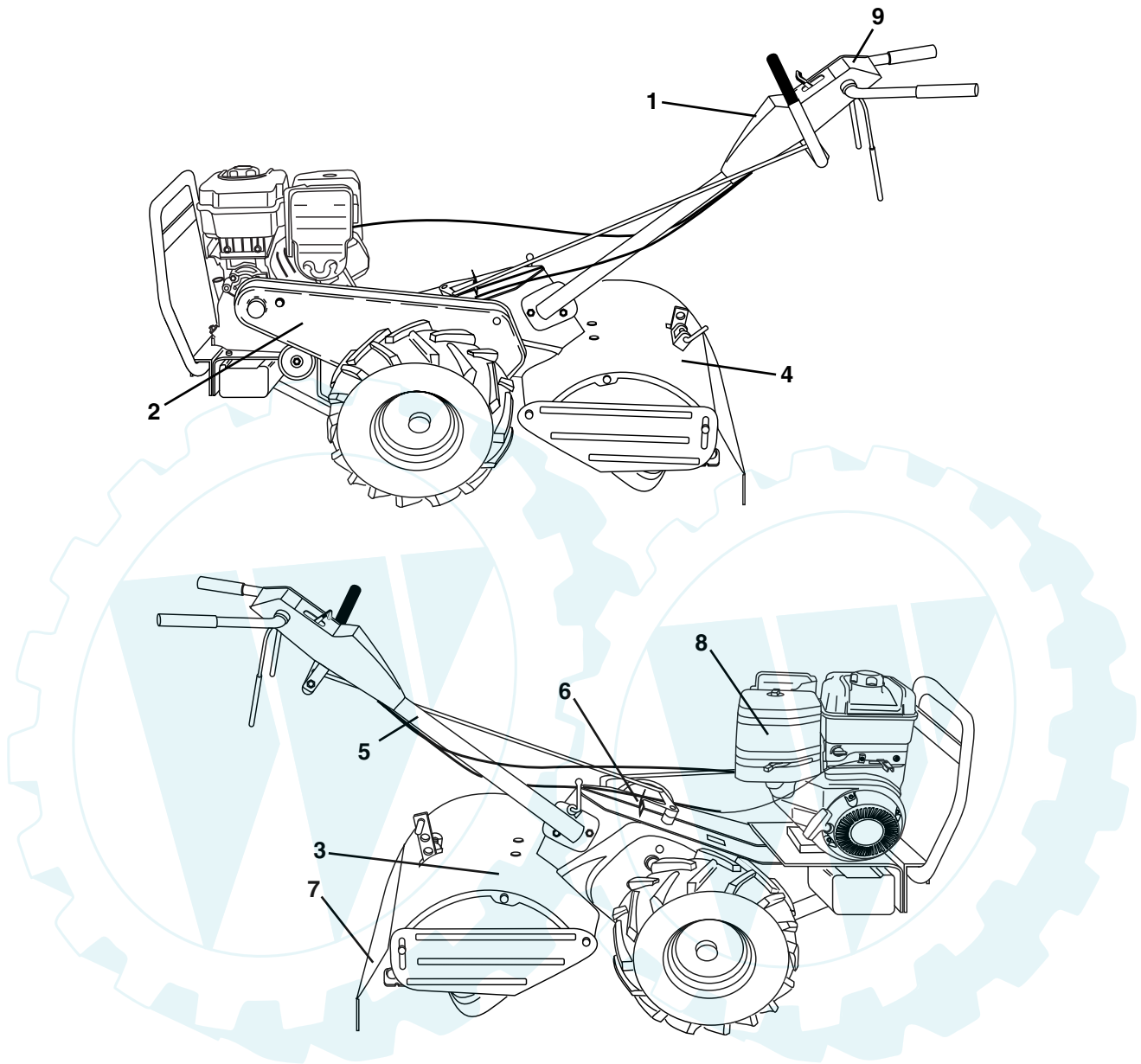
KEY NO.	PART NO.	DESCRIPTION
1	6556J	Tine, Outer, L.H.
3	101194M	Tine, Inner, L.H.
4	3146R	Retainer, Spring Zinc
5	100445L	Assembly, Hub and Plate
6	73610600	Nut, Hex 3/8-24
7	10040600	Washer, Lock 3/8

KEY NO.	PART NO.	DESCRIPTION
8	74610616	Bolt, Hex 3/8-24 x 1
9	6557J	Tine, Outer, R.H.
12	74610624	Bolt H 3/8-24 x 1-1/2
13	4929H	Clevis Pin
15	101193M	Tine R.H.

**NOTE:** All component dimensions given in U.S. inches.  
1 inch = 25.4 mm

## TILLER - - MODEL NUMBER SOR900A

### DECALS



KEY NO.	PART NO.	DESCRIPTION
1	186253	Decal, Control Panel (Statesman)
--	186261	Decal, Control Panel (Agway)
2	186252	Decal, Belt Guard (Statesman)
--	186260	Decal, Belt Guard (Agway)
3	186250	Decal, Tine Shield CRT
4	162215	Decal, Tine Shield Warning
5	141907	Decal, Hand Placement
6	138546	Decal, Shift Indicator
7	141906	Decal, Warning
8	186300	Decal, Engine
9	186247	Decal, Control Panel, Instruction
--	185318	Manual, Owner's (English)
--	185319	Manual, Owner's (Spanish)