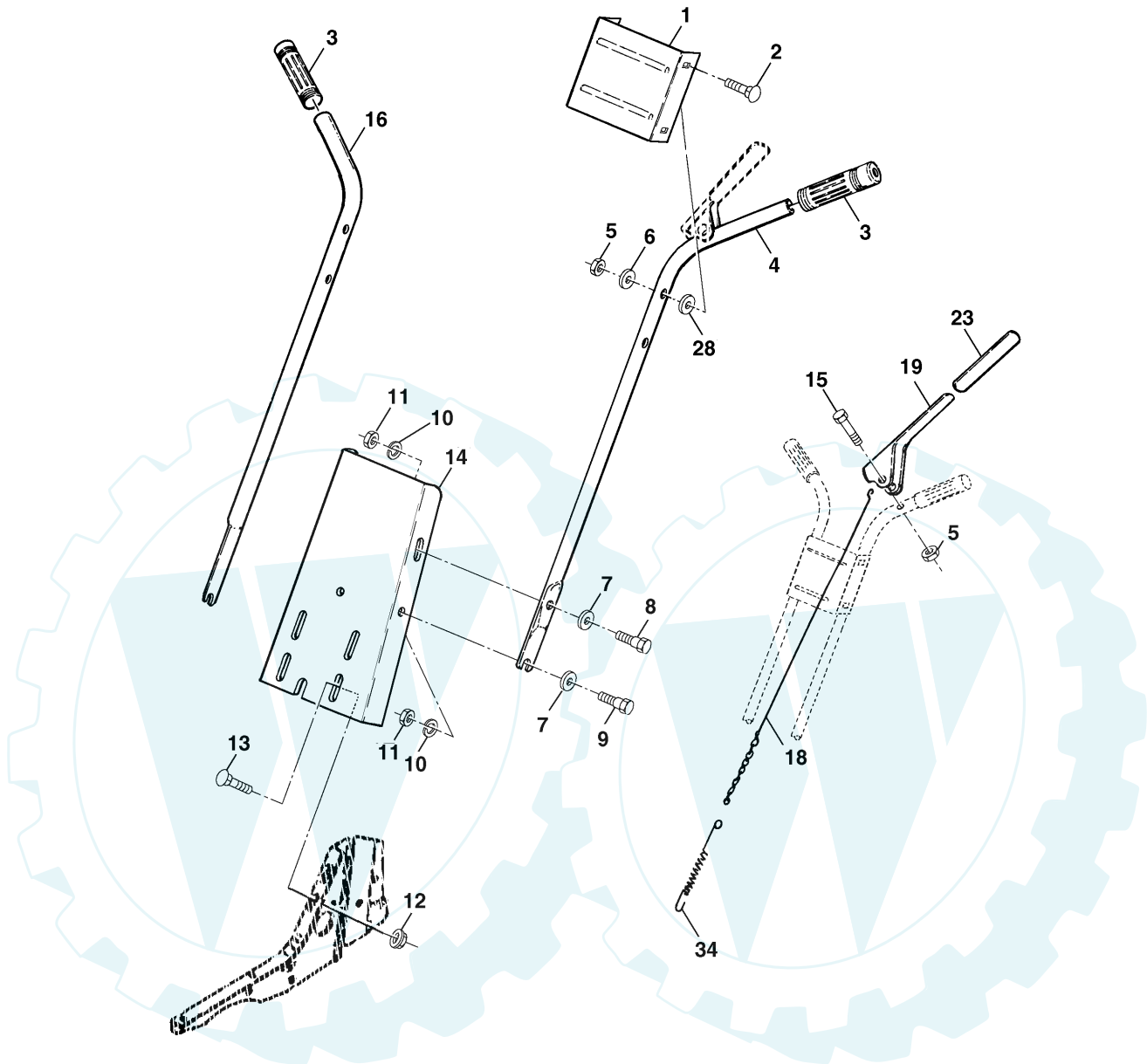


TILLER - - MODEL NUMBER SO620A

HANDLE ASSEMBLY

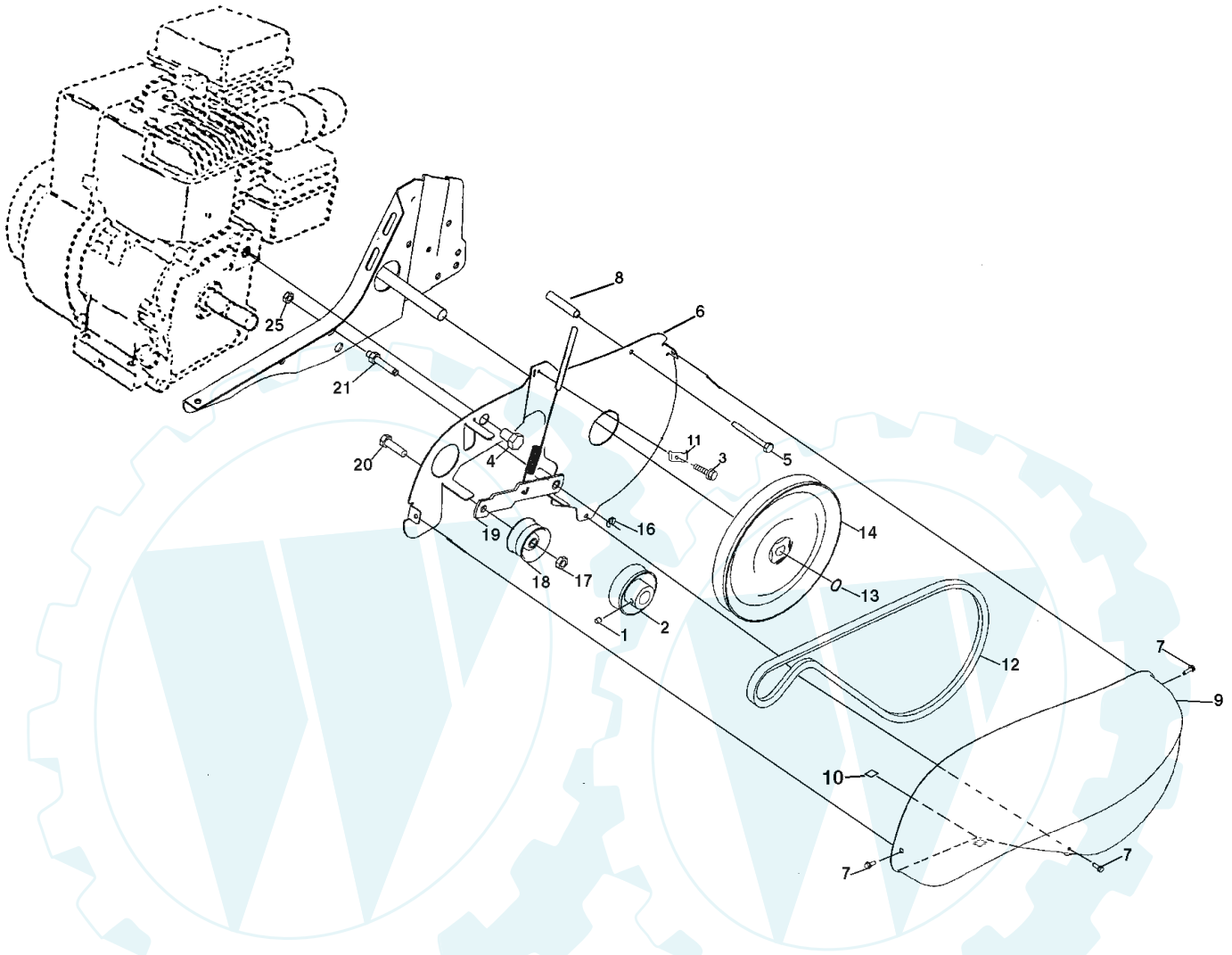


KEY NO.	PART NO.	DESCRIPTION
1	137176X417	Bracket, Handle
2	72140512	Bolt, Carriage 5/16-18 UNC x 1-1/2
3	9266R	Grip, Handle
4	151473	Handle, L.H.
5	73680500	Locknut, Crown 5/16-18
6	19111116	Washer 11/32 x 11/16 x 16 Ga.
7	19121414	Washer 3/8 x 7/8 x 14 Ga.
8	74760516	Bolt, Hex Hd. 5/16-18 x 1
9	74760512	Bolt, Hex Hd 5/16-18 x 3/4
10	10040500	Washer, Lock 5/16
11	73220500	Nut, Hex 5/16-18
12	98000129	Nut, Flanged 5/16-18

KEY NO.	PART NO.	DESCRIPTION
13	180847	Bolt, Carriage 5/16-18 x 3/4
14	9209R417	Panel, Handle
15	74760524	Bolt Fin Hex 5/16-18 x 1-1/2
16	151474	Handle, R.H.
18	3067J	Cable Asm Clutch
19	164937	Lever Clutch
23	8206H	Grip Handle
28	19131312	Washer 13/32 x 13/16 x 12 Ga.
34	3070J	Spring

NOTE: All component dimensions are given in U.S. inches. 1 inch = 25.4 mm

TILLER - - MODEL NUMBER SO620A BELT GUARD AND PULLEY ASSEMBLY



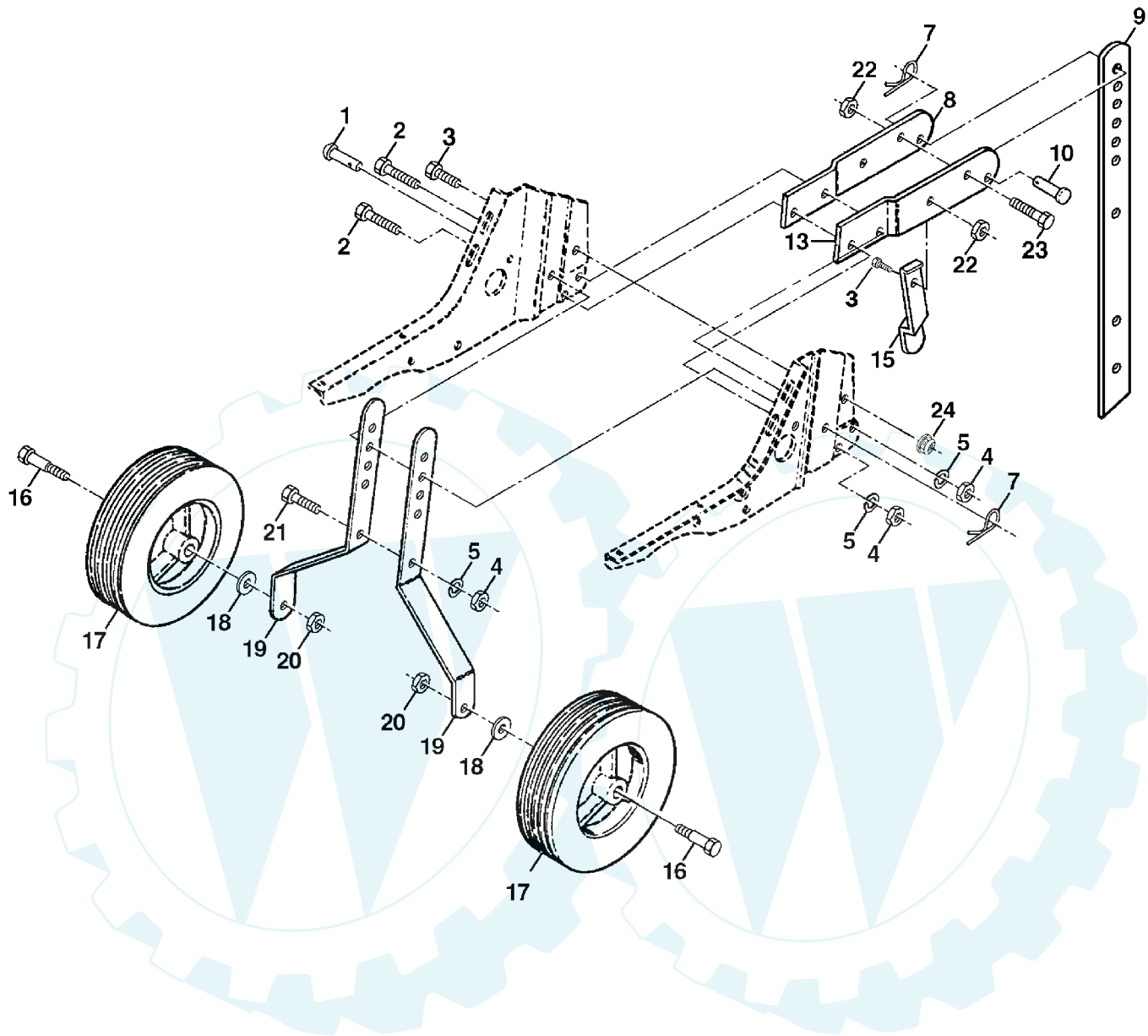
KEY NO.	PART NO.	DESCRIPTION
1	23230506	Screw, Set 5/16-18 x 3/8
2	130812	Sheave, Engine
4	74610812	Bolt, Hex 1/2-20 x 3/4
5	17490440	Bolt Thd Roller 1/4-20 X 2-1/2
6	174898	Shield Inner Guard Belt
7	170488	Screw Hex Wsh Slit #10-24 x .50
8	139155	Spacer Split .523 x .718 x 2
9	165768X417	Guard, Belt
10	109227X	Pad, Idler
12	9180R	V-Belt Drive
13	12000028	Ring, Retainer
14	151223	Sheave, Transmission

KEY NO.	PART NO.	DESCRIPTION
16	12000035	Ring, Klip
17	73350600	Nut, Hex, Jam 3/8-16
18	161806	Pulley, Idler
19	175377	Arm, Idler
20	74760620	Bolt, Hex 3/8-16 x 1-1/4
21	106968X	Shaft, Idler Arm
25	73350500	Nut, Hex, Jam 5/16-18

NOTE: All component dimensions given in U.S. inches.
1 inch = 25.4 mm

TILLER - - MODEL NUMBER SO620A

WHEEL AND DEPTH STAKE ASSEMBLY

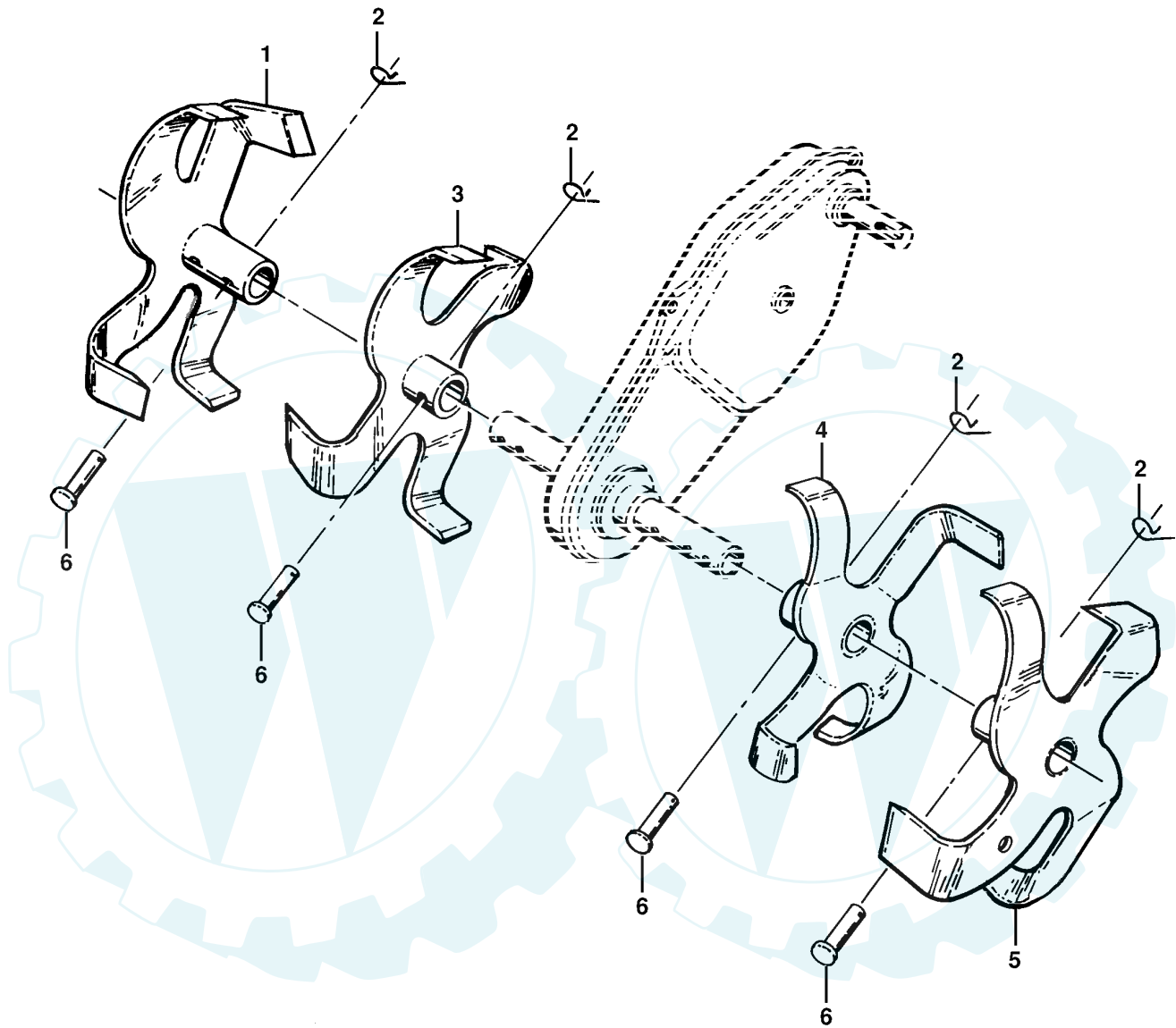


KEY NO.	PART NO.	DESCRIPTION
1	9194R	Pin, Clevis
2	74760520	Bolt, Hex 5/16-18 x 1-1/4
3	74760512	Bolt, Hex 5/16-18 x 3/4
4	73220500	Nut, Hex 5/16-18
5	10040500	Washer, Lock 5/16
7	4921H	Clip, Hairpin
8	318J	Support, Depth Stake, R.H.
9	9193R	Stake, Depth
10	9551R	Rivet, Drilled
13	317J	Support, Depth Stake, L.H.
15	5388J	Spring, Stake

KEY NO.	PART NO.	DESCRIPTION
16	121117X	Bolt, Shoulder
17	9186R	Wheel
18	19131311	Washer 13/32 x 13/16 x 11 Ga.
19	9190R	Bracket, Wheel
20	73680600	Locknut, Crown 3/8-16
21	74760516	Bolt, Hex 5/16-18 x 1
22	73800500	Locknut, w/insert 5/16-18
23	74780524	Bolt Fin Hex 5/16-18 UNC x 1-1/2
24	73970500	Nut Lock Flange

NOTE: All component dimensions given in U.S. inches.
1 inch = 25.4 mm

TINE ASSEMBLY

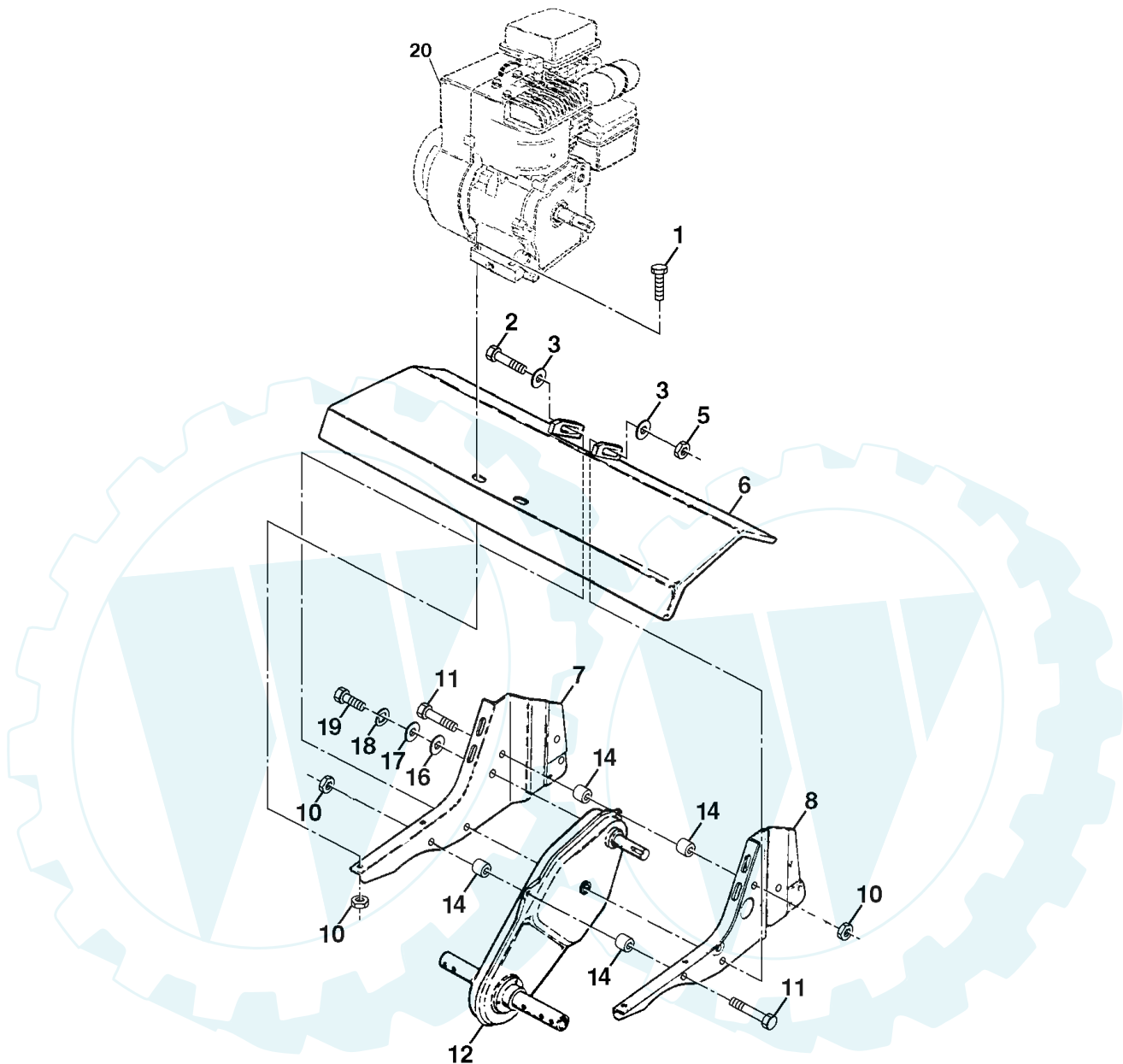


KEY NO.	PART NO.	DESCRIPTION
1	165774	Tine, Outer, R.H.
2	4921H	Retainer, Spring
3	165772	Tine, Inner, R.H.

KEY NO.	PART NO.	DESCRIPTION
4	165771	Tine, Inner, L.H.
5	165773	Tine, Outer, L.H.
6	9194R	Pin, Clevis

TILLER - - MODEL NUMBER SO620A

TRANSMISSION



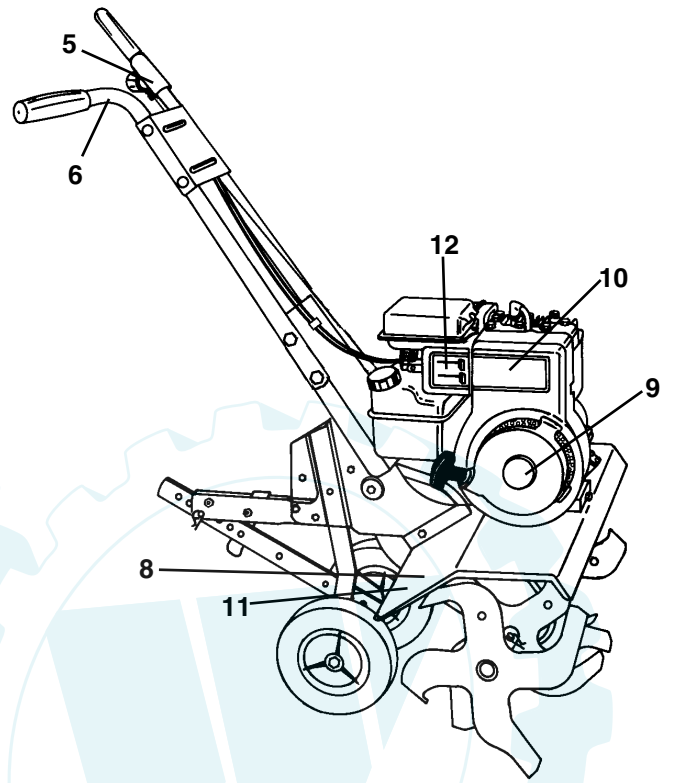
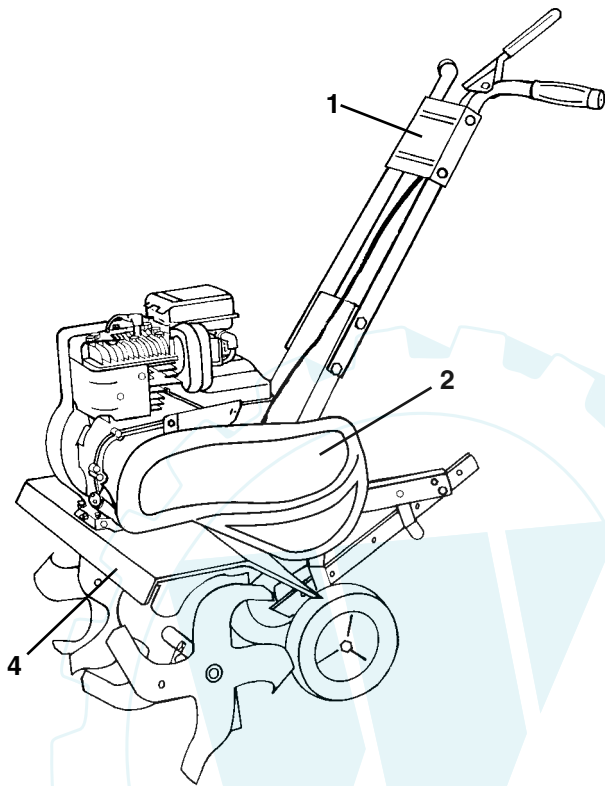
KEY NO.	PART NO.	DESCRIPTION
1	74760524	Bolt, Hex 5/16-18 x 1-1/2 Gr. 2
2	74780652	Bolt, Hex, Fin 3/8-16 x 3-1/4
3	19131311	Washer 13/32 x 13/16 x 11
5	73800600	Locknut, Hex, w/washer 3/8-16
6	9056R417	Shield, Tine
7	165835	Bracket, Engine, R.H.
8	165834	Bracket, Engine, L.H.
10	73970500	Nut, Lock Hex Flange
11	74760544	Bolt, Hex 5/16-18 x 2-3/4
12	151937	Transmission
14	9173R	Spacer, Split

KEY NO.	PART NO.	DESCRIPTION
16	19091412	Washer 9/32 x 7/8 x 12 Ga.
17	19092016	Washer 9/32 x 1-1/4 x 16 Ga.
18	10040400	Washer, Lock 1/4
19	74610412	Bolt, Hex 1/4-28 x 3/4 Gr. 5
20	-----	Engine, Briggs Model 94202 (Order parts from engine Manufacturer)

NOTE: All component dimensions given in U.S. inches.
1 inch = 25.4 mm

TILLER - - MODEL NUMBER SO620A

DECALS



KEY NO.	PART NO.	DESCRIPTION
1	186199	Decal, Control Panel (Statesman)
--	186258	Decal, Control Panel (Agway)
2	186246	Decal, Belt Guard (Statesman)
--	186257	Decal, Belt Guard (Agway)
4	127185X	Decal, Description
5	186309	Decal, Tine Control
6	141907	Decal, Hand Placement
8	141906	Decal, Warning, Rotating Tines
9	171803	Decal, Briggs & Stratton
10	171806	Decal, 3.5 HP
11	162215	Decal, Warning
12	165327	Decal, Speed Control
--	185167	Manual, Owner's (English)
--	185168	Manual, Owner's (Spanish)