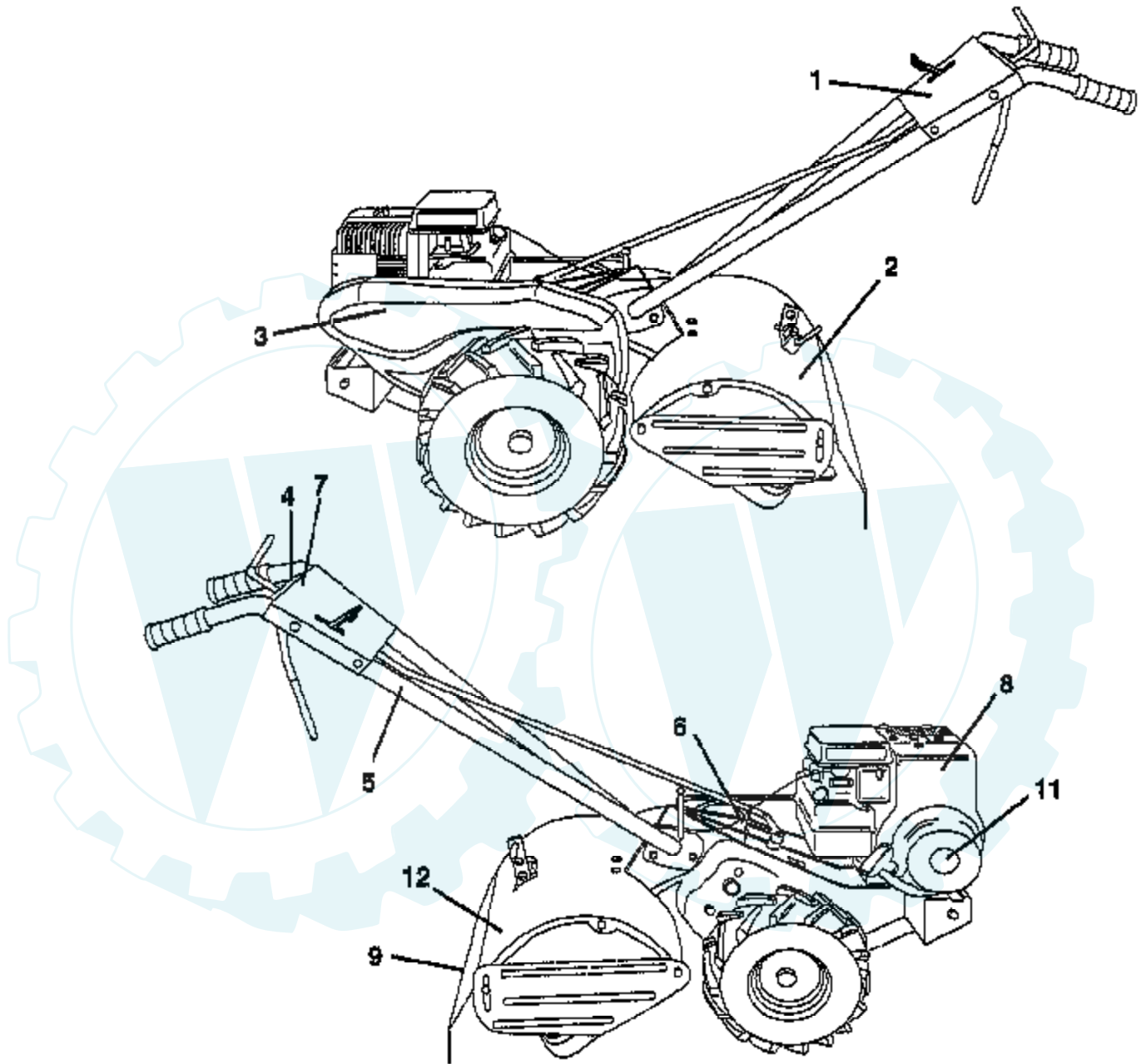


TILLER - - MODEL NUMBER RY820K

DECALS

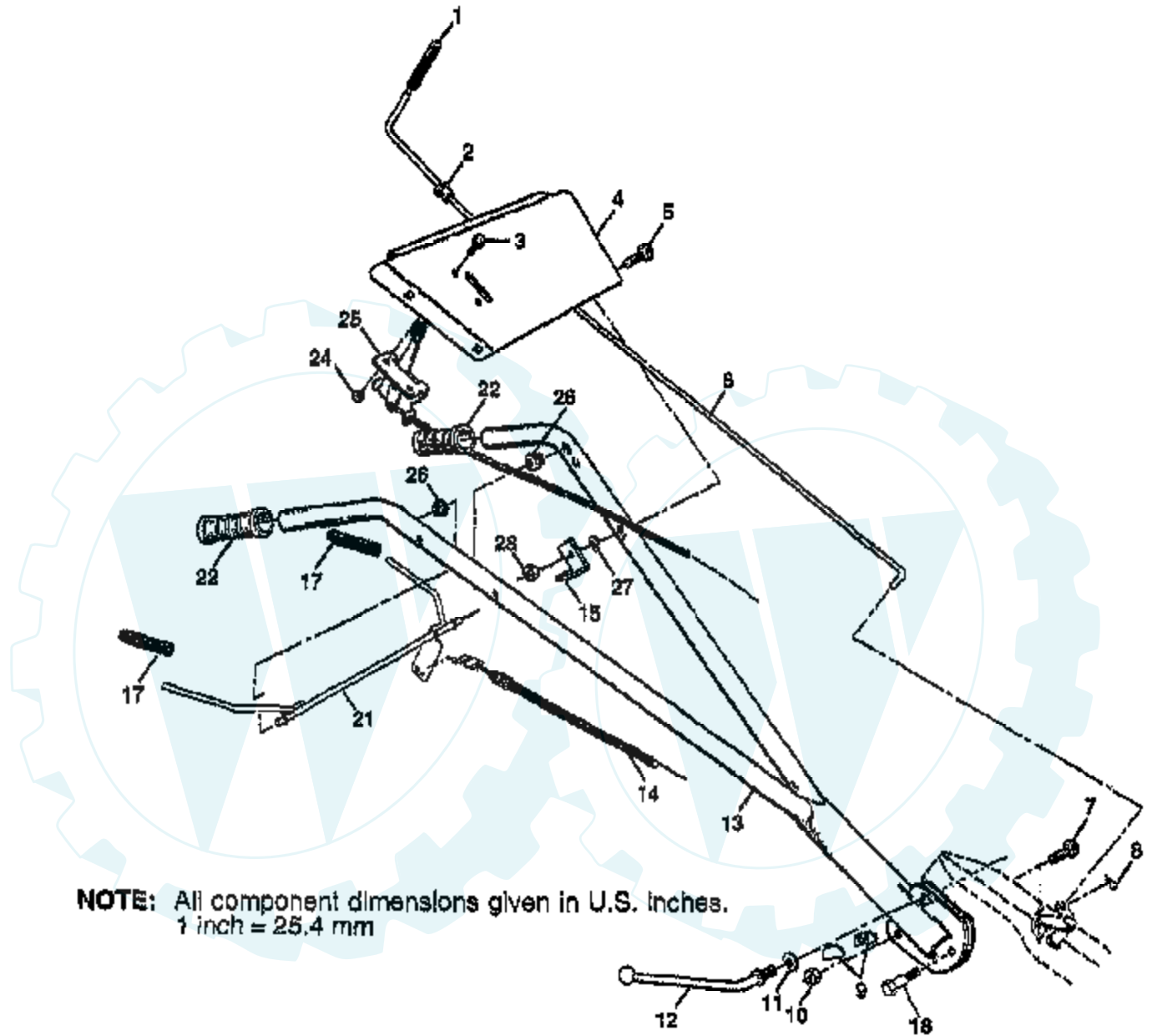


Ref #	Part Number	Qty	Description
1	128221		NLA
2	127210X		NLA
3	167379		DECAL, LOGO
4	110678X		NLA
5	110614X		DECAL TI
6	102180X		DECAL CRT
7	156199		DECAL REVERSE
8	165266		SUB= 271948
9	120076X		SUB= 120075X
11	165278		SUB= 273721
12	162384		DECAL.CAUTION
	168953		MANUAL, OWNER'S
	168954		MANUAL, OWNER'S

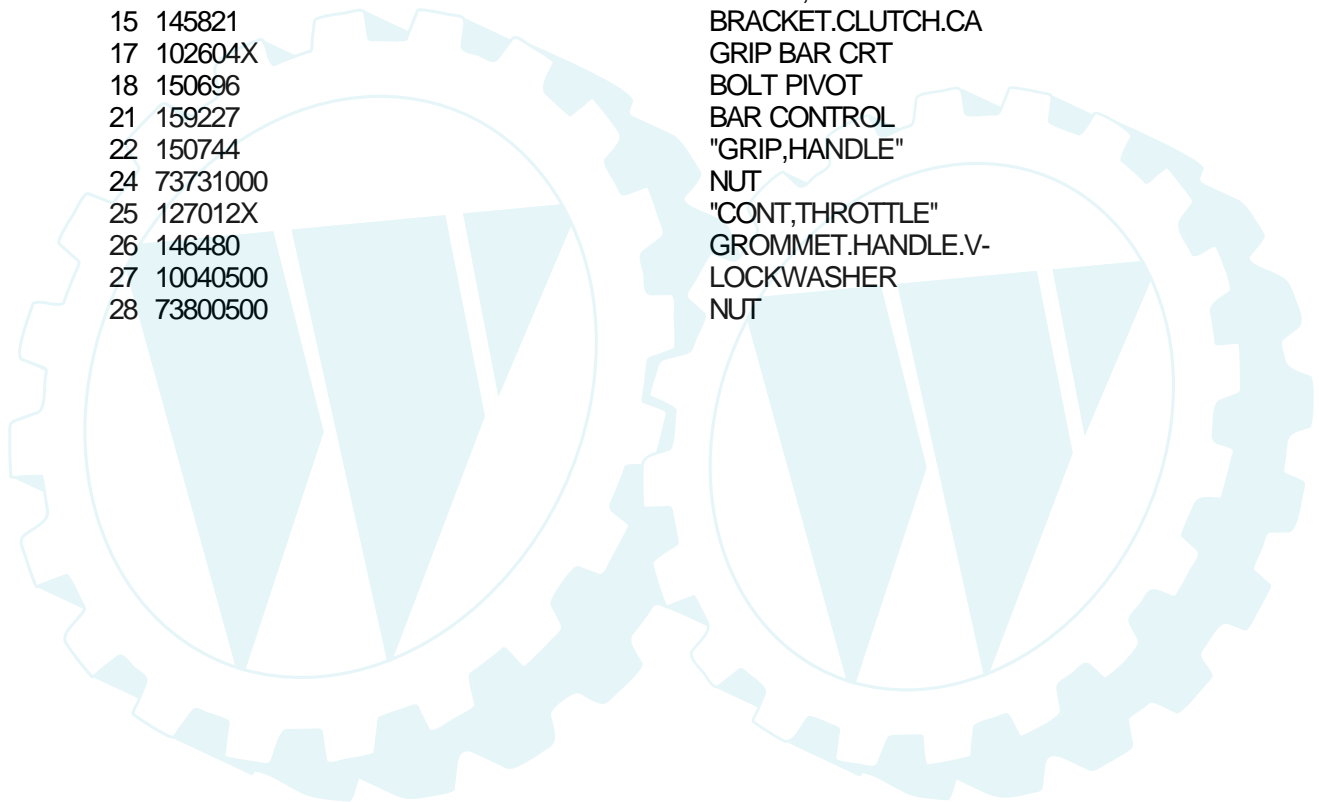


TILLER - - MODEL NUMBER RY820K

HANDLE ASSEMBLY



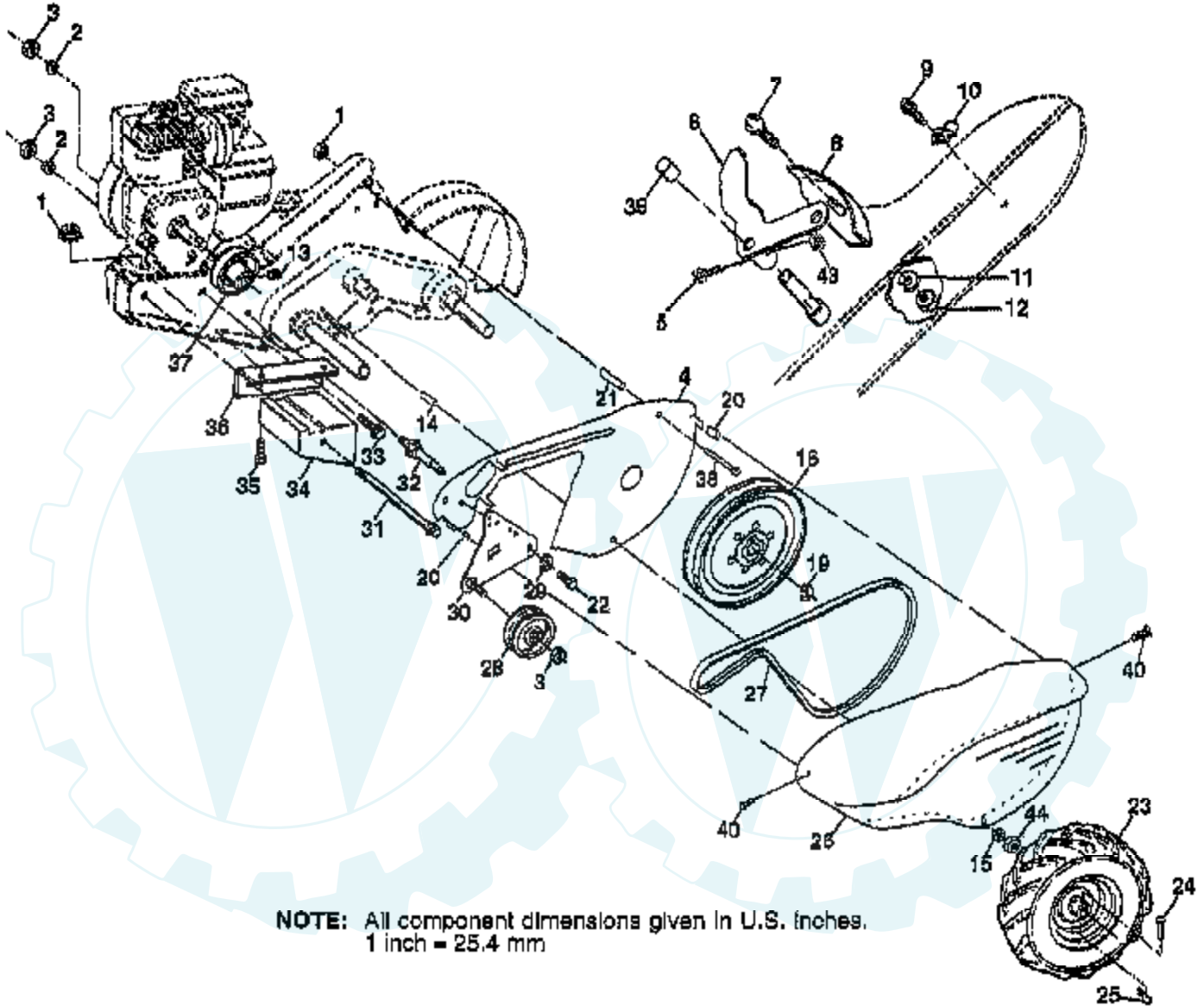
Ref #	Part Number	Qty	Description
1	8389J		GRIP TI
2	121248X		BUSHING
3	71191008		SCREW.PNHD.10-24
4	126949X505		HANDLE BRACKET
5	72110514		BOLT CARRIAGE CRT
6	108281X		ROD SHIFT CRT
7	72110608		BOLT D
8	4497H		RETAINER M
9	109229X		LOCK CRT
10	73930600		LOCKNUT
11	19131611		WASHER CRT
12	109228X		LEVER LOCK CRT
13	150217		HANDLE
14	159232		"CABLE, CLUTCH"
15	145821		BRACKET.CLUTCH.CA
17	102604X		GRIP BAR CRT
18	150696		BOLT PIVOT
21	159227		BAR CONTROL
22	150744		"GRIP,HANDLE"
24	73731000		NUT
25	127012X		"CONT,THROTTLE"
26	146480		GROMMET.HANDLE.V-
27	10040500		LOCKWASHER
28	73800500		NUT



REPAIR PARTS

TILLER - - MODEL NUMBER RY820K

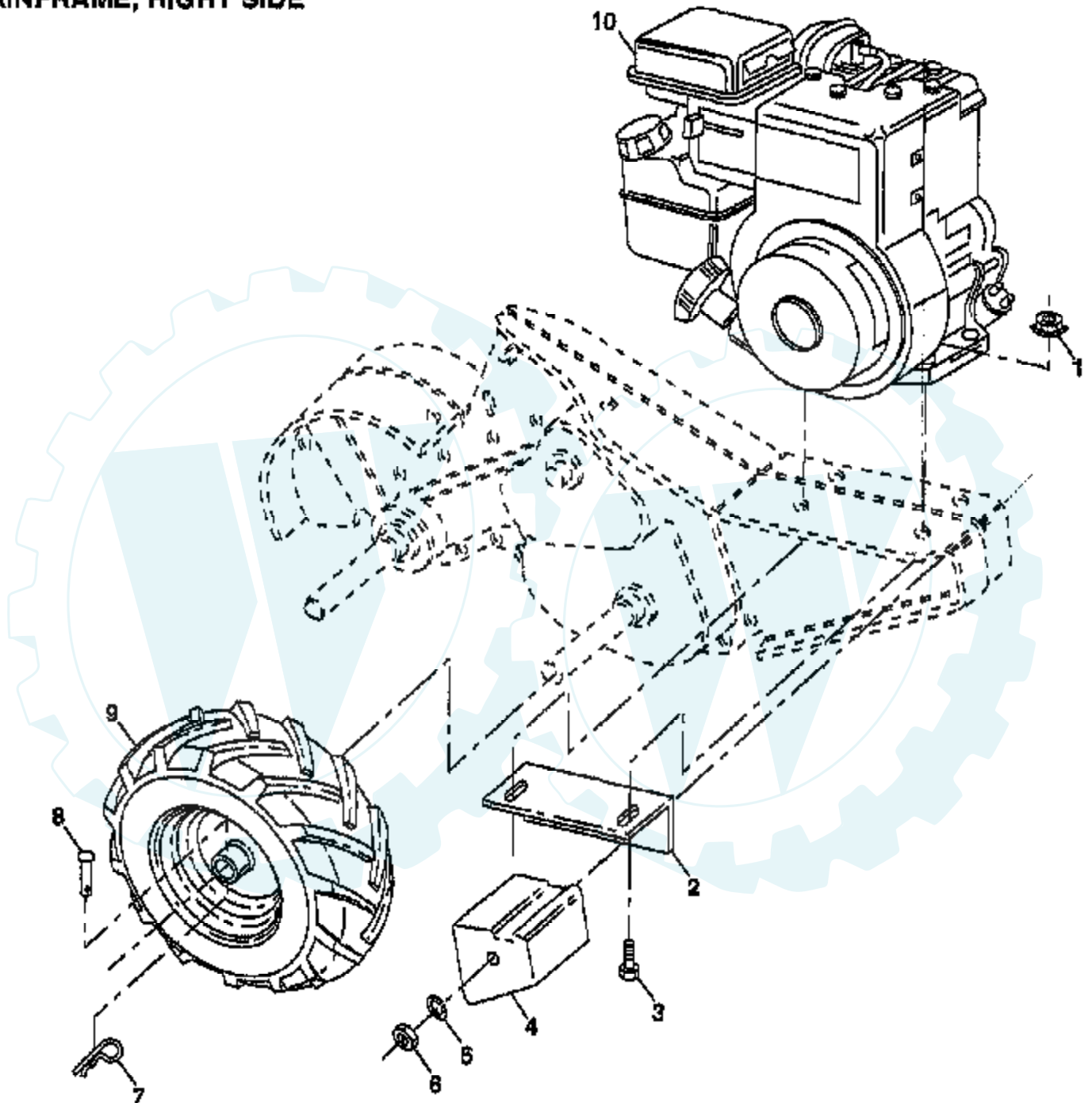
MAINFRAME, LEFT SIDE



Ref #	Part Number	Qty	Description
1	73510500		NUT
2	10040600		LOCKWASHER
3	73220600		NUT.HEX.3/8-16UNC
4	165710		SHIELD.INNER.BELT
5	154734		"SCREW-LEVER,SHI"
6	110111X		LEVER ASM CRT
7	72110404		BOLT
8	8700J		PANEL TI
9	86777		SUB= 750097
10	9484R		CONDIUT CLIP T
11	10040400		LOCKWASHER
12	73220400		SUB= 50675
13	23230506		SET SCREW
14	156117		SPACER-SPLIT
15	19111116		WASHER
16	145102		SHEAVE.TRANS.
19	12000028		SUB= 2267J
20	165504		NUT J CLIP #8
21	110652X		SPACER CRT
22	74770508		BOLT.FIN.HX.5/16-24X1/2
23	102190X		TIRE.CHV.13X5.0-6
23	150750		SUB= 150750X427
23	795R		SUB= 65139
24	126875X		RIVET.DRILL.1.75
25	4497H		RETAINER M
26	165501X505		GUARD.BELT
27	132801		BELT-V
28	104679X		PULLEY-IDLER TI
29	12000032		KLIP RING
30	159229		BRACKET ASM IDLER
31	102384X		BOLT CRT
32	102141X		SHIFT ARM CRT
33	74760616		BOLT
34	102383X		COUNTERWEIGHT CRT
35	74760524		BOLT.HEX.5/16-1.5
36	102331X		BRACKET LH CRT
37	130812		ENGINE PULLEY
38	74760544		SUB= 74780544
39	140062		CAP PLUNGER BLACK
40	165503		SCREW HX WSH.HD#8-18X1/2
43	69180		LOCKNUT
44	73800500		NUT

TILLER - - MODEL NUMBER RY820K

MAINFRAME, RIGHT SIDE



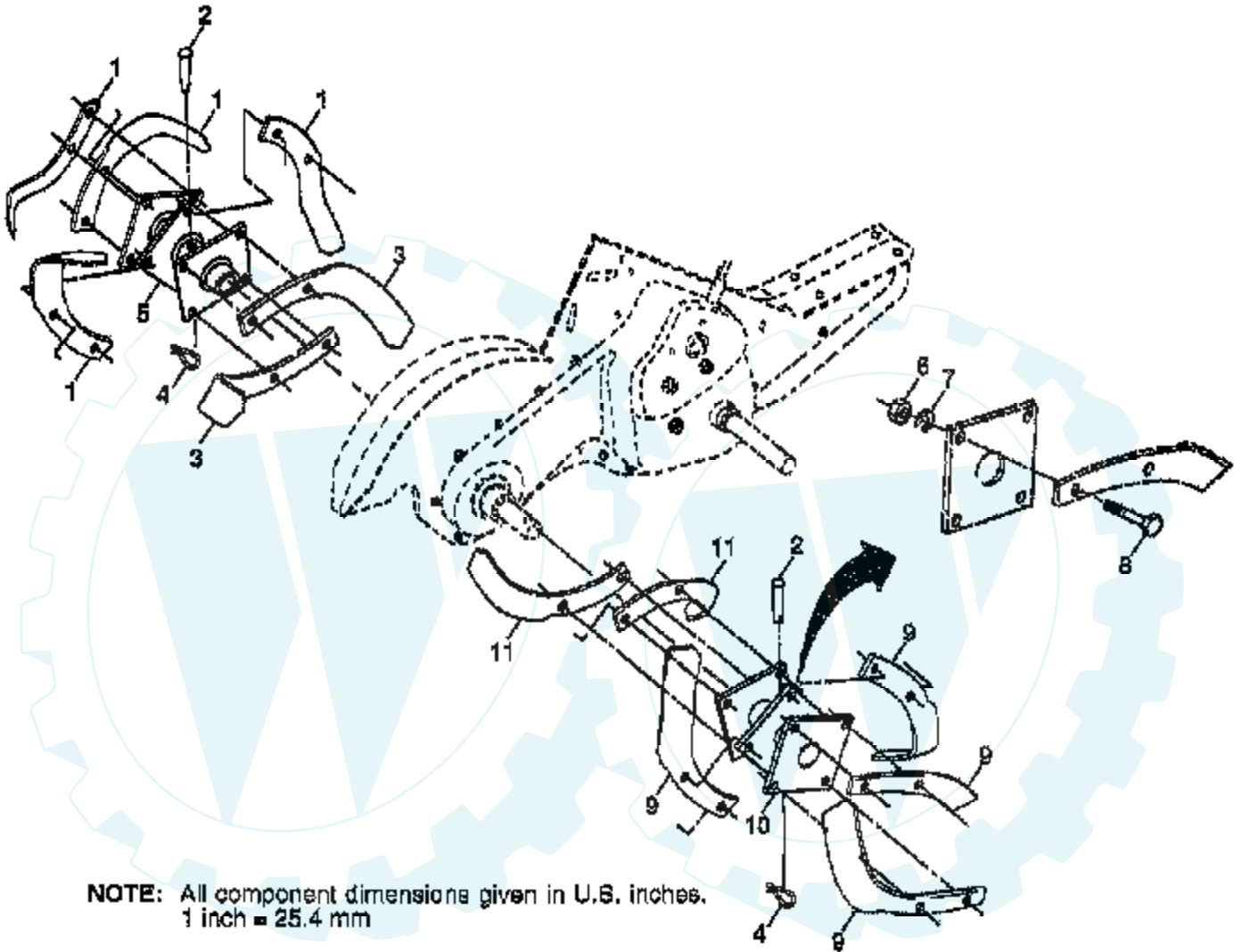
NOTE: All component dimensions given in U.S.Inches.
1 inch = 25.4 mm

Ref #	Part Number	Qty	Description
1	73510500		NUT
2	102332X		BRACKET RH CRT
3	74760524		BOLT.HEX.5/16-1.5
4	102173X		COUNTERWEIGHT CRT
5	10040600		LOCKWASHER
6	73220600		NUT.HEX.3/8-16UNC
7	4497H		RETAINER M
8	126875X		RIVET.DRILL.1.75
9	102190X		TIRE.CHV.13X5.0-6
9	150750		SUB= 150750X427
9	795R		SUB= 65139
10	SUPPLIER		CHECK WITH SUPPLIER



TILLER - - MODEL NUMBER RY820K

TINE ASSEMBLY

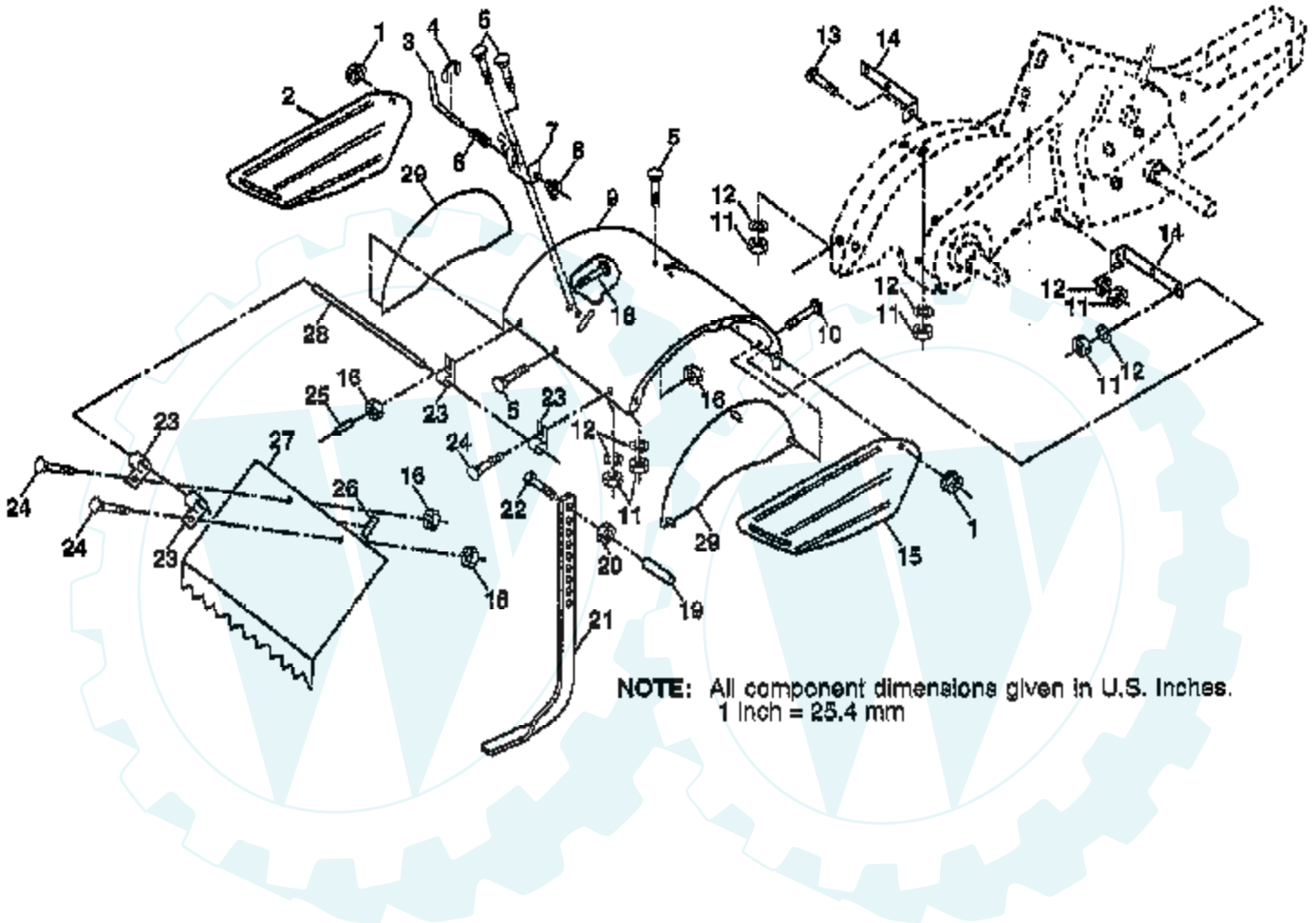


Ref #	Part Number	Qty	Description
1	4459J		SUB= 6554J
2	132673		PIN.CLEVIS.SHEAR
3	6554J		"TINE.LH.12""
4	163552		RETAINER SPRING
5	132727		HUB&PLATE ASM LH
6	73610600		SUB= 7810H
7	10040600		LOCKWASHER
8	74610616		BOLT
9	4460J		SUB= 6555J
10	132728		HUB&PLATE ASM RH
11	6555J		"TINE.RH.12""

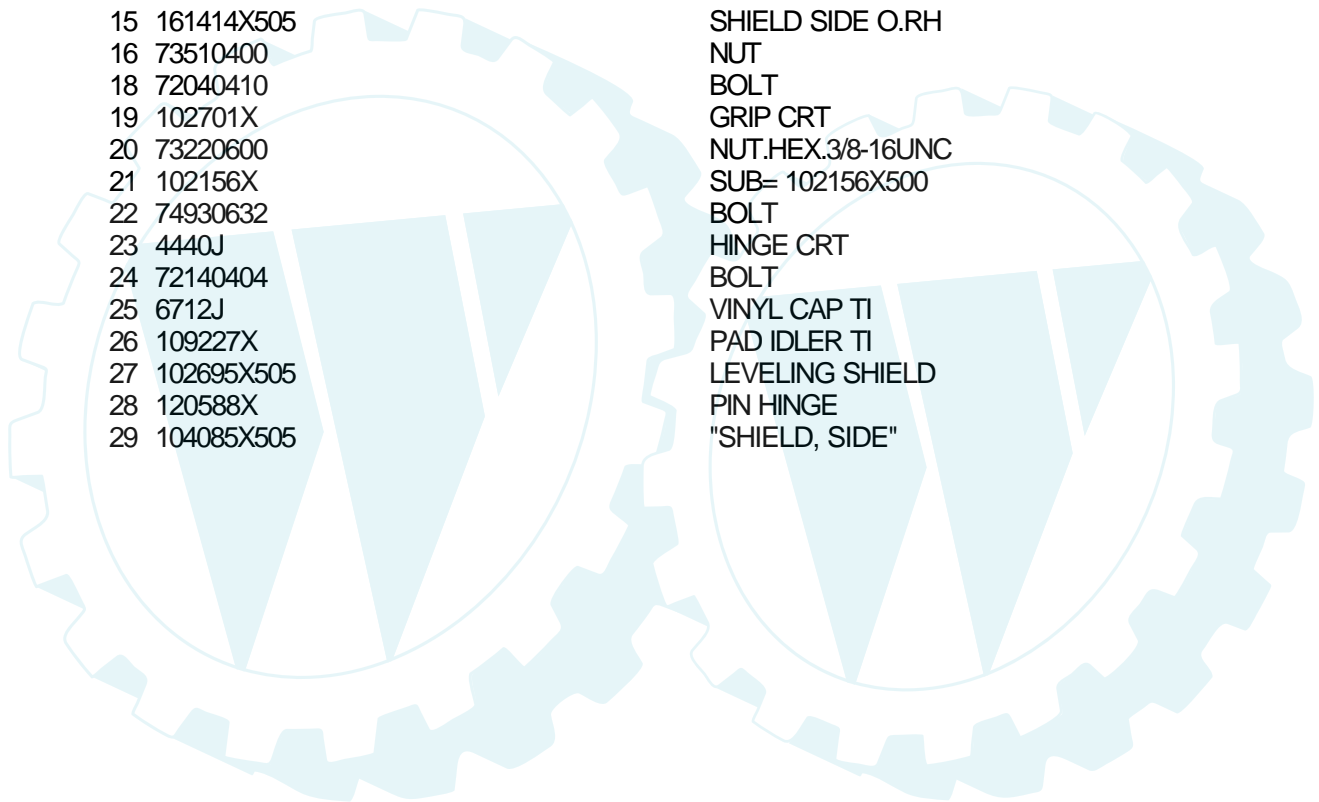


TILLER - - MODEL NUMBER RY820K

TINE SHIELD

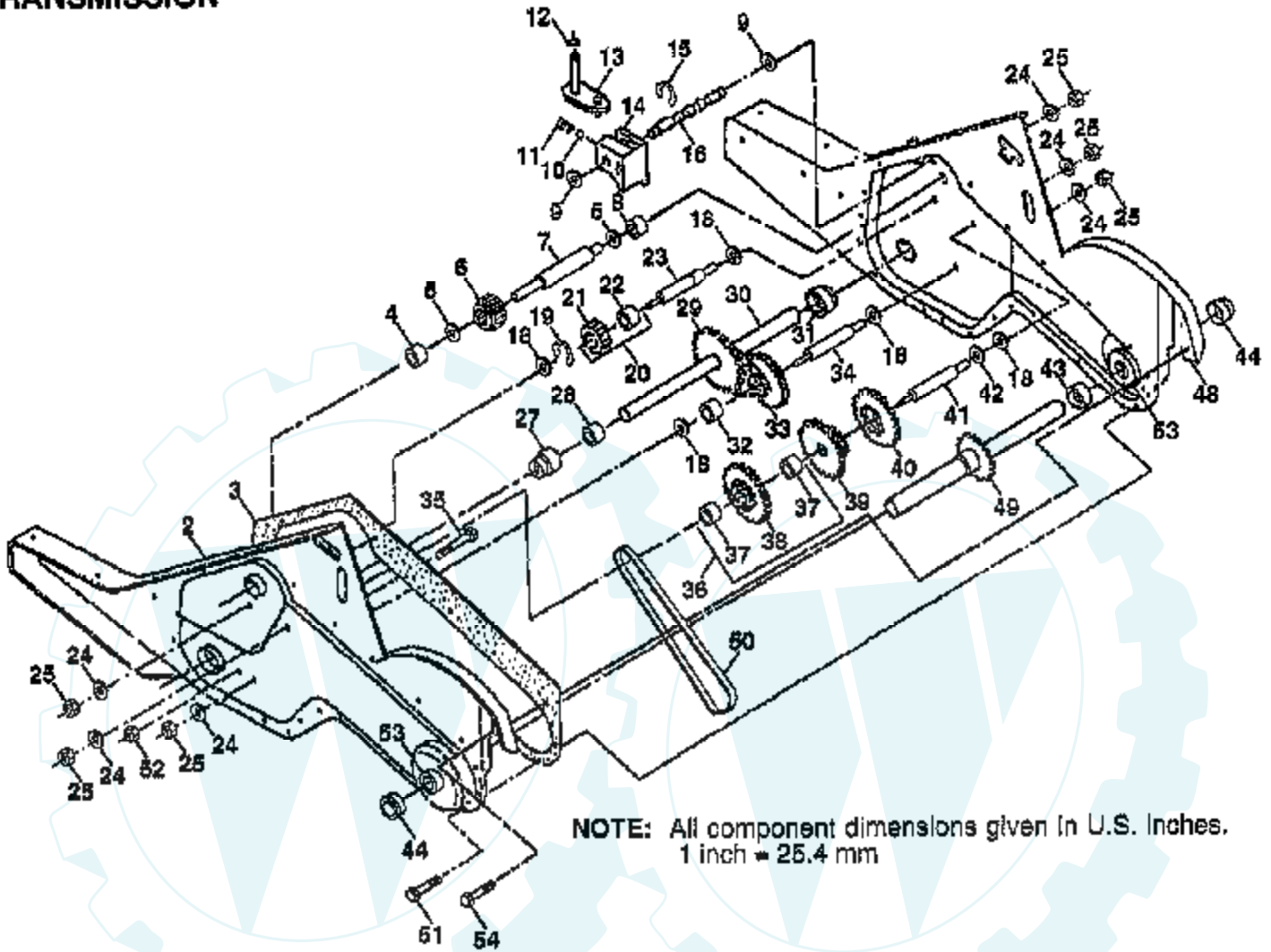


Ref #	Part Number	Qty	Description
1	98000129		NUT
2	161415X505		"SHIELD,SIDE,O.LH"
3	8393J		STAKE PIN TI
4	12000036		KLIP RING TI
5	72140506		BOLT
6	8394J		SPRING TI
7	8392J		LATCH BRACKET TI
8	109230X		SPRING CRT
9	102326X505		"SHIELD, TINE"
10	72140508		BOLT
11	73220500		NUT.HEX.5/16-18
12	10040500		LOCKWASHER
13	72110510		BOLT
14	124343X		BRKT SHIELD TINE
15	161414X505		SHIELD SIDE O.RH
16	73510400		NUT
18	72040410		BOLT
19	102701X		GRIP CRT
20	73220600		NUT.HEX.3/8-16UNC
21	102156X		SUB= 102156X500
22	74930632		BOLT
23	4440J		HINGE CRT
24	72140404		BOLT
25	6712J		VINYL CAP TI
26	109227X		PAD IDLER TI
27	102695X505		LEVELING SHIELD
28	120588X		PIN HINGE
29	104085X505		"SHIELD, SIDE"



TILLER - - MODEL NUMBER RY820K

TRANSMISSION



Ref #	Part Number	Qty	Description
1	165728		SUB= 166656
2	165729		GEARCASE LH W/BEARING
3	161963		GASKET.GEARCASE
4	5020J		NEEDLE BRNG LT
5	1370H		"T, BEARING"
6	137335		GEAR PINION INPUT
7	145101		"SHAFT.INPUT."D""
8	4895H		"TI, BEARING"
9	154467		WASHER SEAL
10	7392M		SUB= 100482K
11	100371K		SPRING-SHIFT CRT
12	106160X		O-RING TI
13	142145		BRACKET ASM SHIFT
14	8353J		SHIFT FORK TI
15	12000039		KLIP RING
16	154466		SHAFT.SHIFTER
18	4358J		WASHER
19	12000040		KLIP RING
20	102114X		GEAR ASSY CRT
21	102115X		GEAR-REV IDLR CRT
22	6803J		NEEDLE BEARING TI
23	102111X		SHAFT CRT
24	10040700		LOCKWASHER
25	73610700		NUT.ASF.HEX.7/16
27	143009		BEARING.SHAFT.LH.
28	106390X		BUSHING TI
29	102134X		CHAIN CRT
30	150737		GROUND SHAFT ASSY
31	143008		BEARING.SHAFT.RH.
32	106388X		SPACER TI
33	102121X		SPRCKT 8 GEAR CRT
34	102112X		SHFT 2ND RED. CRT
35	102101X		SCRW WHIZ LOK CRT
36	154355		SPROCKET.ASM.W/BR
37	4422J		BEARING
38	154356		SUB= 154355
39	105345X		GEAR TI
40	105346X		GEAR TI
41	8358J		REDUCTION SHFT TI
42	4220R		BRNG RACE
43	106146X		SPACER TI
44	155236		SEAL ASM-OIL
48	165732		GEARCASE RH W/BEARING
49	132688		TINE SHAFT
50	106147X		CHAIN.50 LINK TI
51	17220408		SCREW, HEX WASHER HD. CUTTING 1/4-20X1/2
52	73220500		NUT.HEX.5/16-18
53	165140		KIT.BEARING
54	17720412		SCREW 1/4-20X3/4
	6066J		GREASE PREMIUM-1