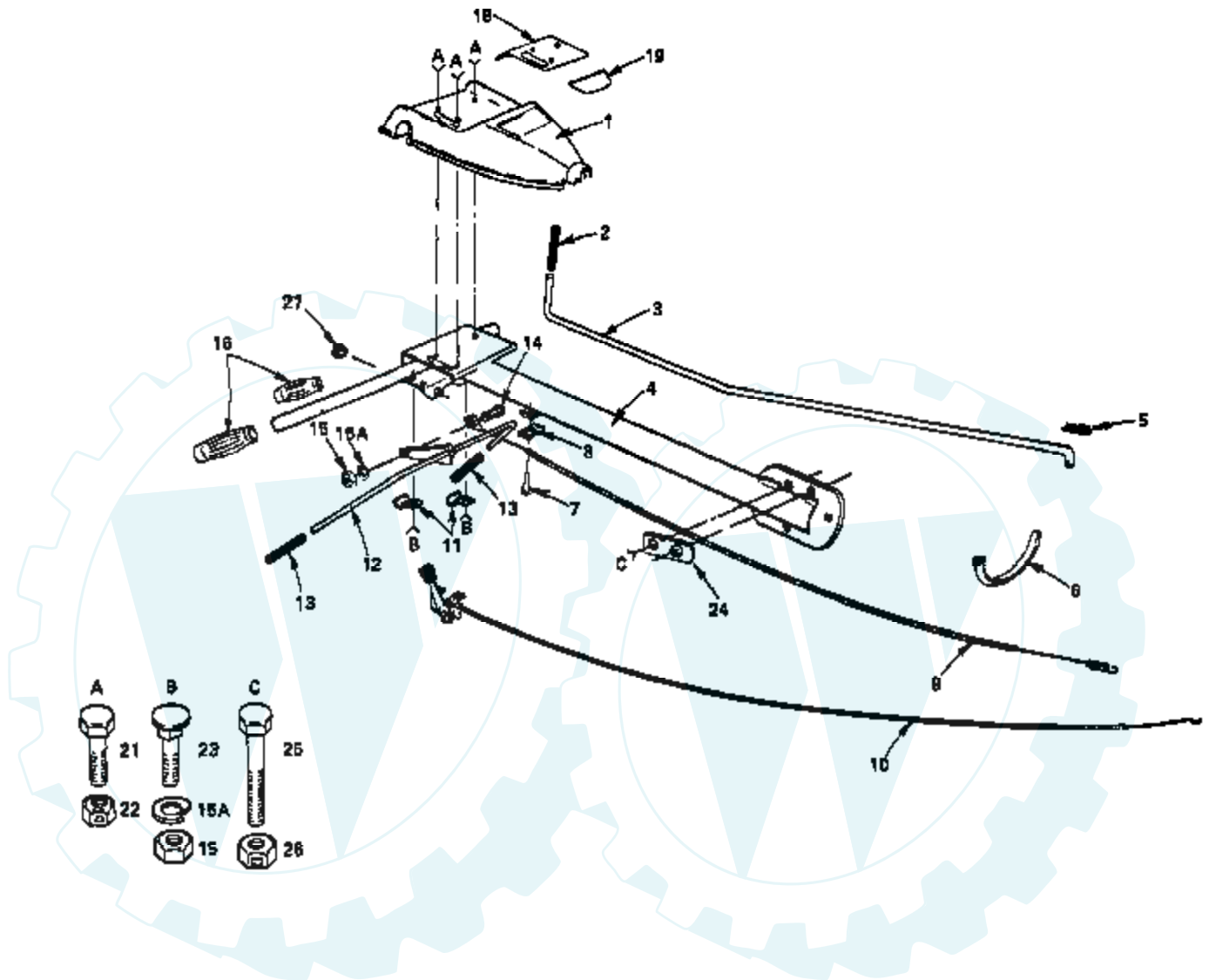


REAR TINE TILLER--MODEL NUMBERS RT180BR

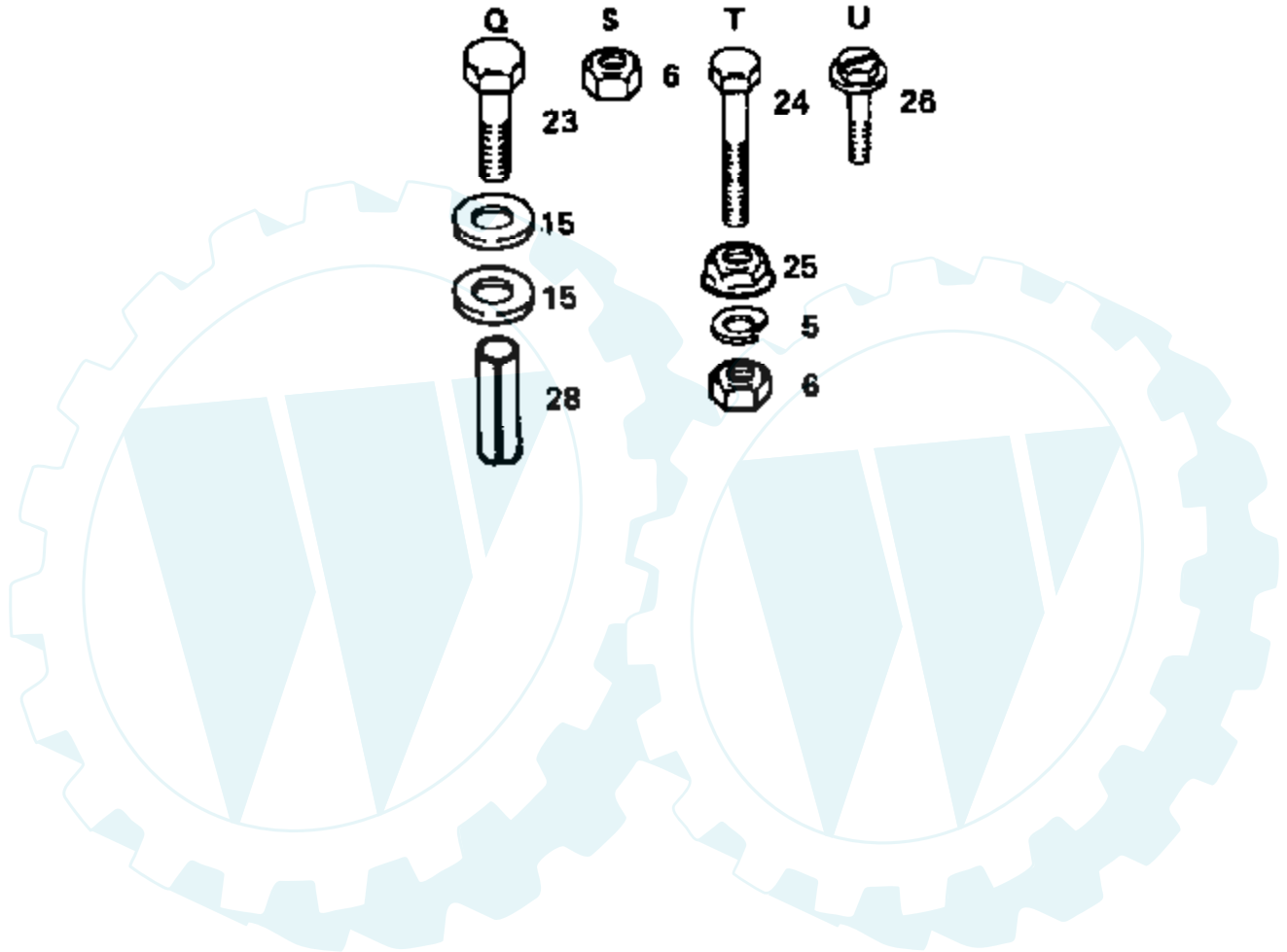
CONTROL GROUP



Ref #	Part Number	Qty	Description
1	102595X		PANEL - CONTROL
2	8389J		GRIP TI
3	102868X358		ROD - SHIFT
4	104889X358		ASSY-HANDLE TI
5	4497H		RETAINER M
6	104164X		TIE CABLE CRT
7	17561008		SCREW TI
8	9484R		CONDIUT CLIP T
9	104717X		CABLE-CLUTCH TI
10	102716X		NLA
11	102744X		SUB= 102744X431
12	105216X358		SUB= 105216X
13	102604X		GRIP BAR CRT
14	81328		SHOULDER BOLT ST
15	73220400		SUB= 50675
15A	10040400		LOCKWASHER
16	9266R		SUB= 624A78
18	102691X		DECAL - INSTRUCTION
18	104336X		NLA
19	102692X		DECAL - CONTROL PANEL
21	74981008		SCREW
22	98000049		NUT
23	72110404		BOLT
24	101282K		"NUT, LOCK CRT"
25	74760416		BOLT
26	73690400		LOCKNUT
27	102856X		GROMMET TI

REAR TINE TILLER-MODEL NUMBERS RT180BR

MAIN FRAME

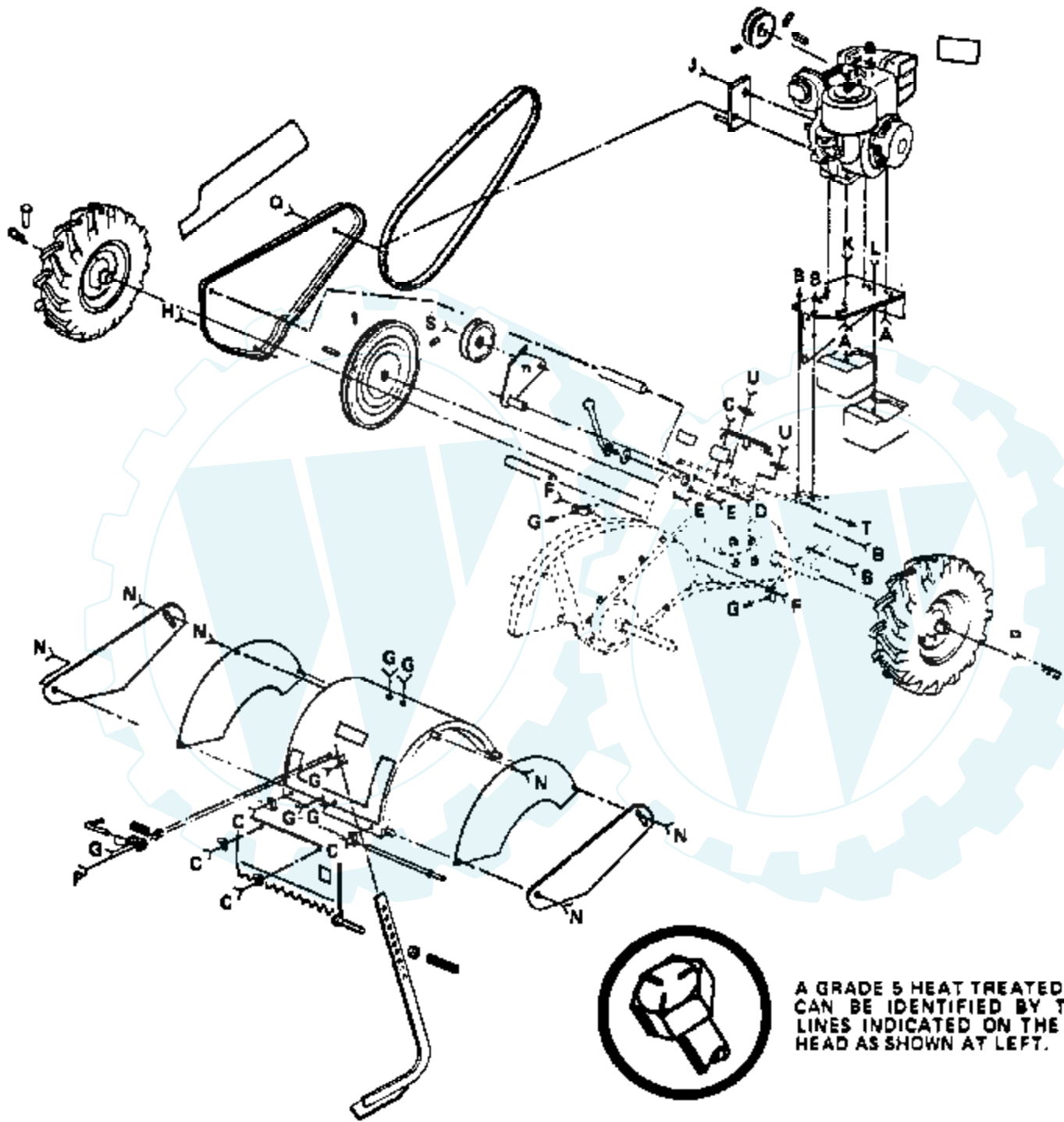


Ref #	Part Number	Qty	Description
5	10040600		LOCKWASHER
6	73220600		NUT.HEX.3/8-16UNC
15	19171616		WASHER
23	74770840		BOLT TI
24	100105K		BOLT TI
25	100210K		SUB= 83923
26	17561008		SCREW TI
28	102774X		NLA



REAR TINE TILLER--MODEL NUMBERS RT180BR

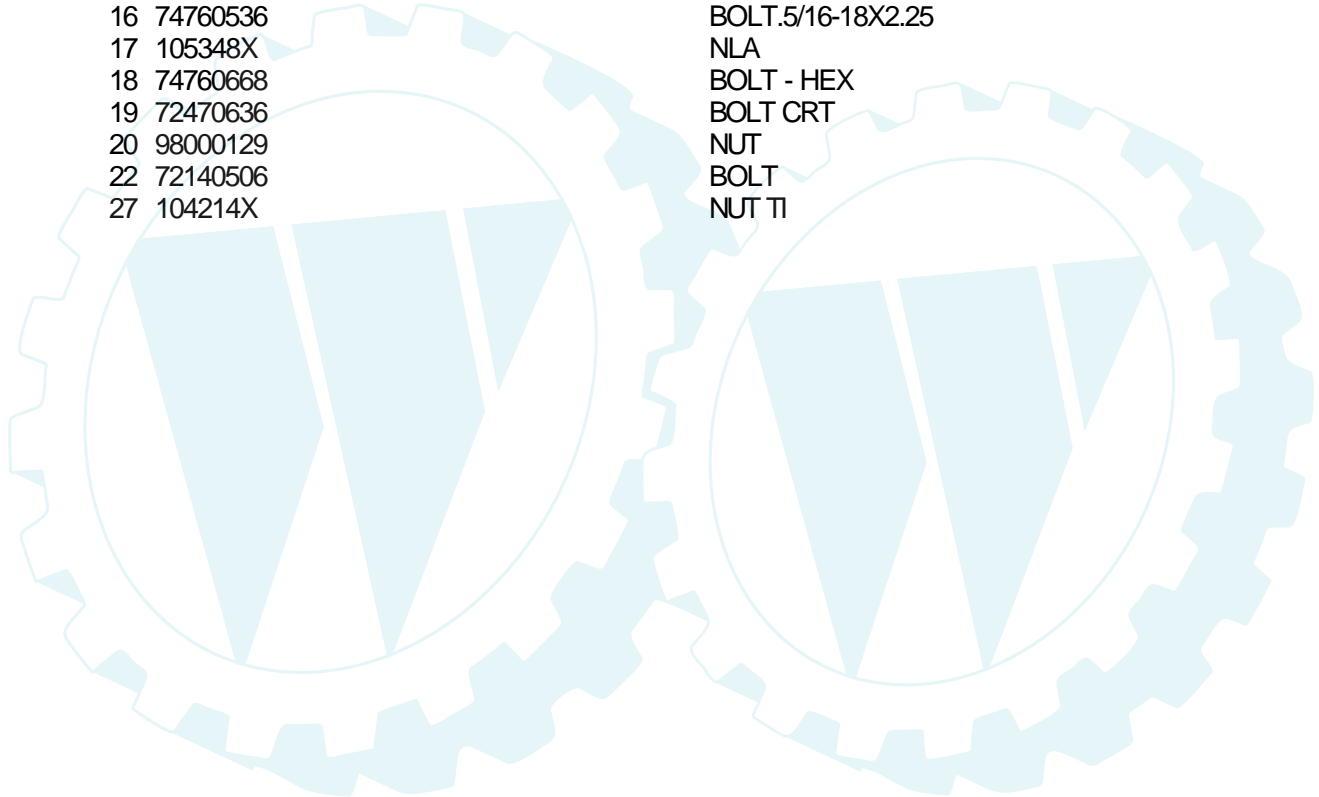
MAIN FRAME



A GRADE 5 HEAT TREATED BOLT CAN BE IDENTIFIED BY THREE LINES INDICATED ON THE BOLT HEAD AS SHOWN AT LEFT.

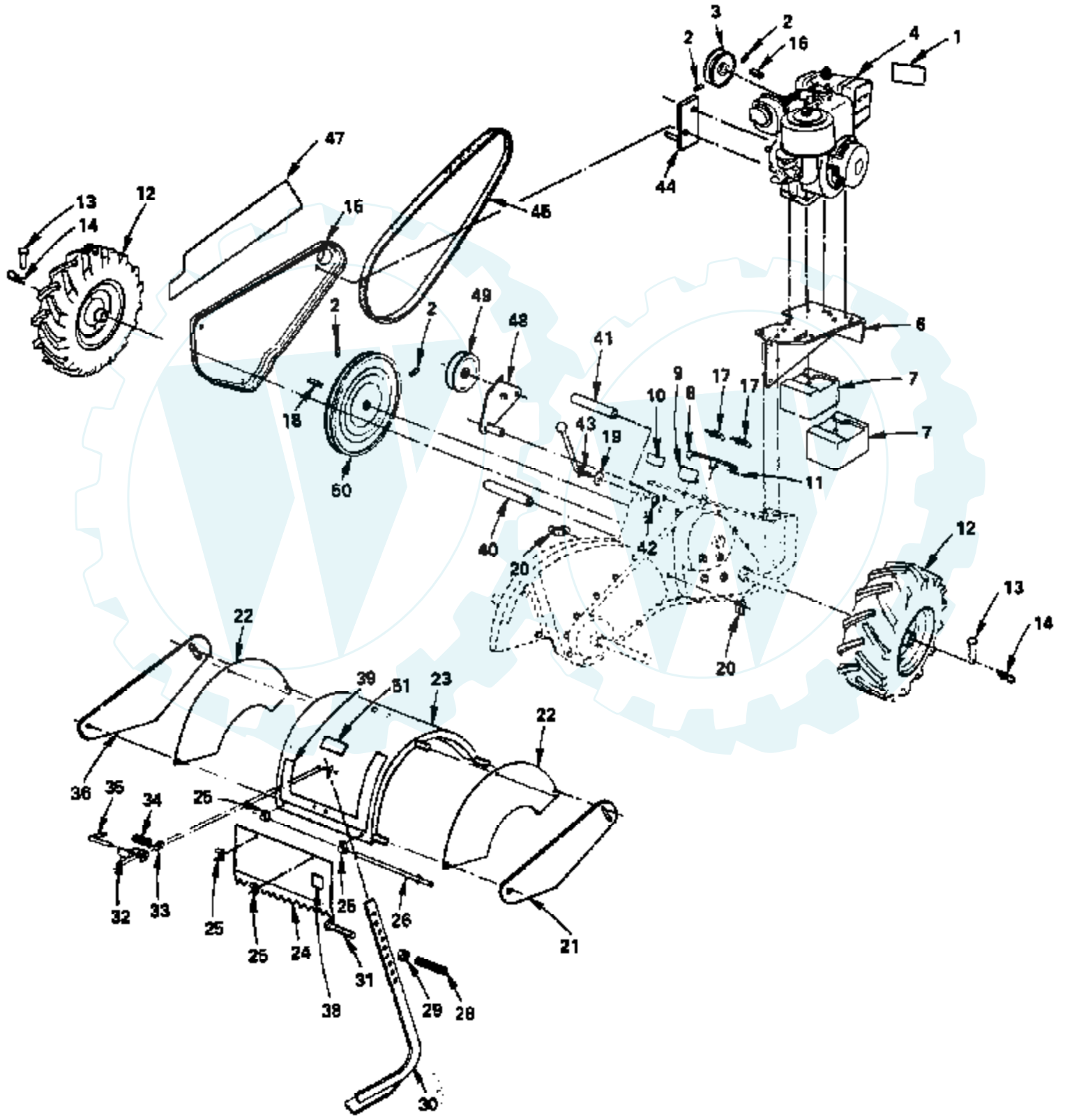
- | | | | | | | | | | | | | |
|---|---|---|---|---|---|---|---|---|--|---|---|---|
|  |  |  |  |  |  |  |  |  |  |  |  |  |
| 1 | 4 | 7 | 10 | 12 | 2 | 14 | 11 | 16 | 18 | 18 | 20 | 22 |
|  |  |  |  |  |  |  |  |  |  |  |  |  |
|  |  |  |  |  |  |  |  |  |  |  |  |  |
|  | | |  | | | | | | | | | |
|  | | |  | | | | | | | | | |

Ref #	Part Number	Qty	Description
1	74760528		BOLT
2	10040500		LOCKWASHER
3	73220500		NUT.HEX.5/16-18
4	74760616		BOLT
5	10040600		LOCKWASHER
6	73220600		NUT.HEX.3/8-16UNC
7	72110404		BOLT
8	10040400		LOCKWASHER
9	73220400		SUB= 50675
10	74930572		BOLT TI
11	19111116		WASHER
12	72140608		SUB= 72110608
13	5394H		SUB= 73930600
14	72140505		BOLT
16	74760536		BOLT.5/16-18X2.25
17	105348X		NLA
18	74760668		BOLT - HEX
19	72470636		BOLT CRT
20	98000129		NUT
22	72140506		BOLT
27	104214X		NUT TI



REAR TINE TILLER--MODEL NUMBERS RT180BR .

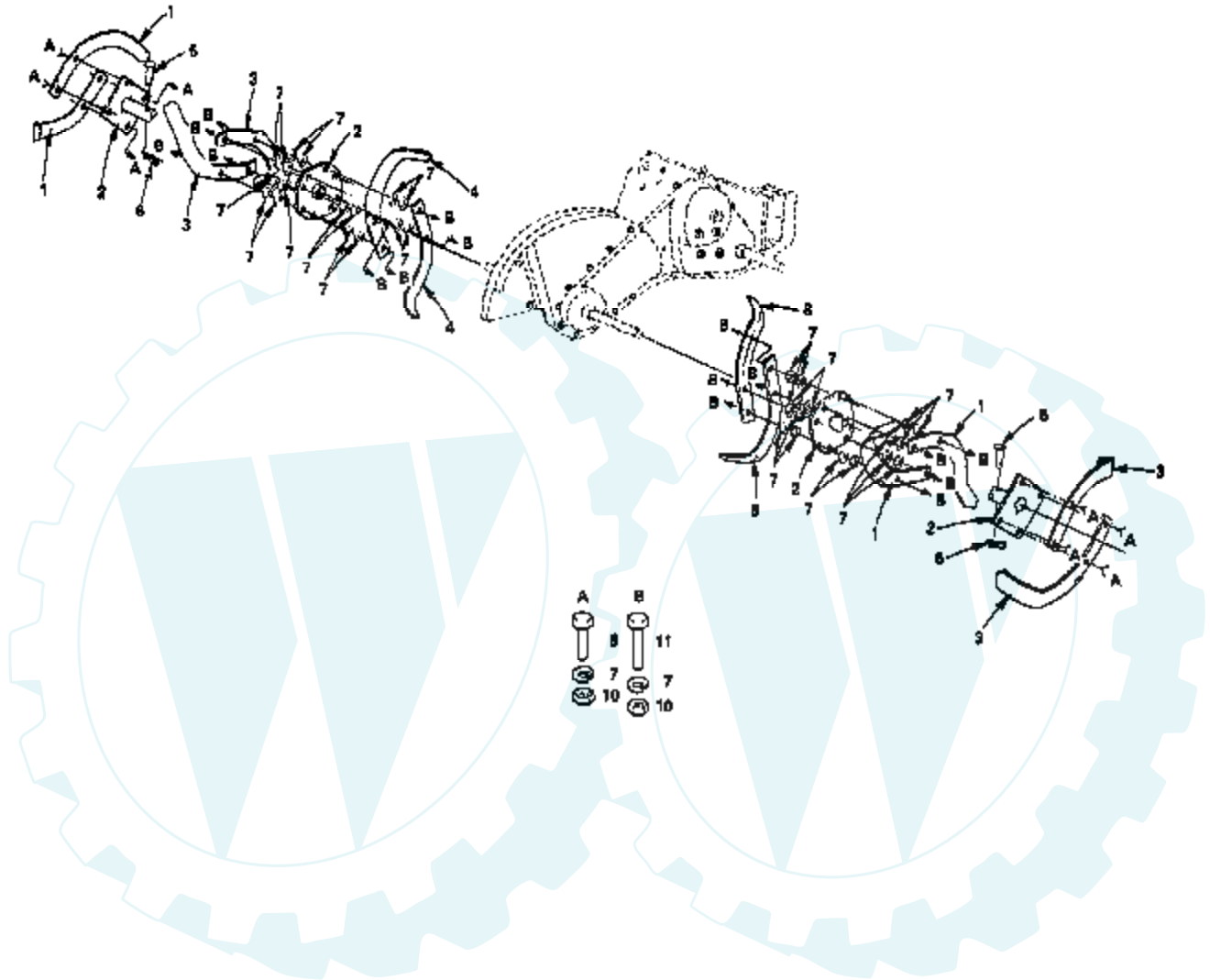
MAIN FRAME



Ref #	Part Number	Qty	Description
1	102718X		NLA
2	23230506		SET SCREW
3	4368J		SHEAVE CRT
4	190402		ENGINE - 8 HP
6	674A295		NLA
7	8450J		COUNTERWEIGHT CRT
8	100094K		LEVER ASSY T
9	8700J		PANEL TI
10	100108K		DECAL, SHIFT INDICATOR
10	104337X		NLA
11	1572H		SUB= 2882J
12	5014J		WHEEL TI
	5015J		TIRE TI
	795R		SUB= 65139
13	4929H		RIVET.PAN HD.1.75
14	4921H		SPRING.RETAINER
15	102818X358		SUB= 102818X505
16	4914H		KEY TI
17	9484R		CONDIUT CLIP T
18	2649M		KEY T
19	19131414		WASHER
20	8386J		TINE SHLD BRKT TI
21	104102X358		SUB= 108710X505
22	104084X358		SUB= 104084X505
23	104178X358		SUB= 104178X505
24	102713X358		SUB= 102713X505
25	4440J		HINGE CRT
26	100247K		PIN HINGE CRT
28	8389J		GRIP TI
29	73220600		NUT.HEX.3/8-16UNC
30	674A299		STAKE ASSY CRT
31	74930656		BOLT
32	8392J		LATCH BRACKET TI
33	12000036		KLIP RING TI
34	8394J		SPRING TI
35	8393J		STAKE PIN TI
36	104087X358		SUB= 108711X505
38	104476X		NLA
38	104816X		NLA
39	102719X		DECAL - TINE SHIELD
40	8382J		SPACER TI
41	8381J		SPACER TI
42	104886X		NUT FLANGE CRT
43	100099L		HANDLE LOCK CRT
44	105349X		NLA
45	8377J		SUB= 138399
47	102720X		DECAL - BELT GUARD
48	105611X		SUB= 918105611X
49	104680X		SUB= 4371J
50	100473M		"SHEAVE 10"" CRT"
51	104949X		DECAL - DEPTH ADJUSTMENT

REAR TINE TILLER-MODEL NUMBERS RT180BR

TINE ASSEMBLY

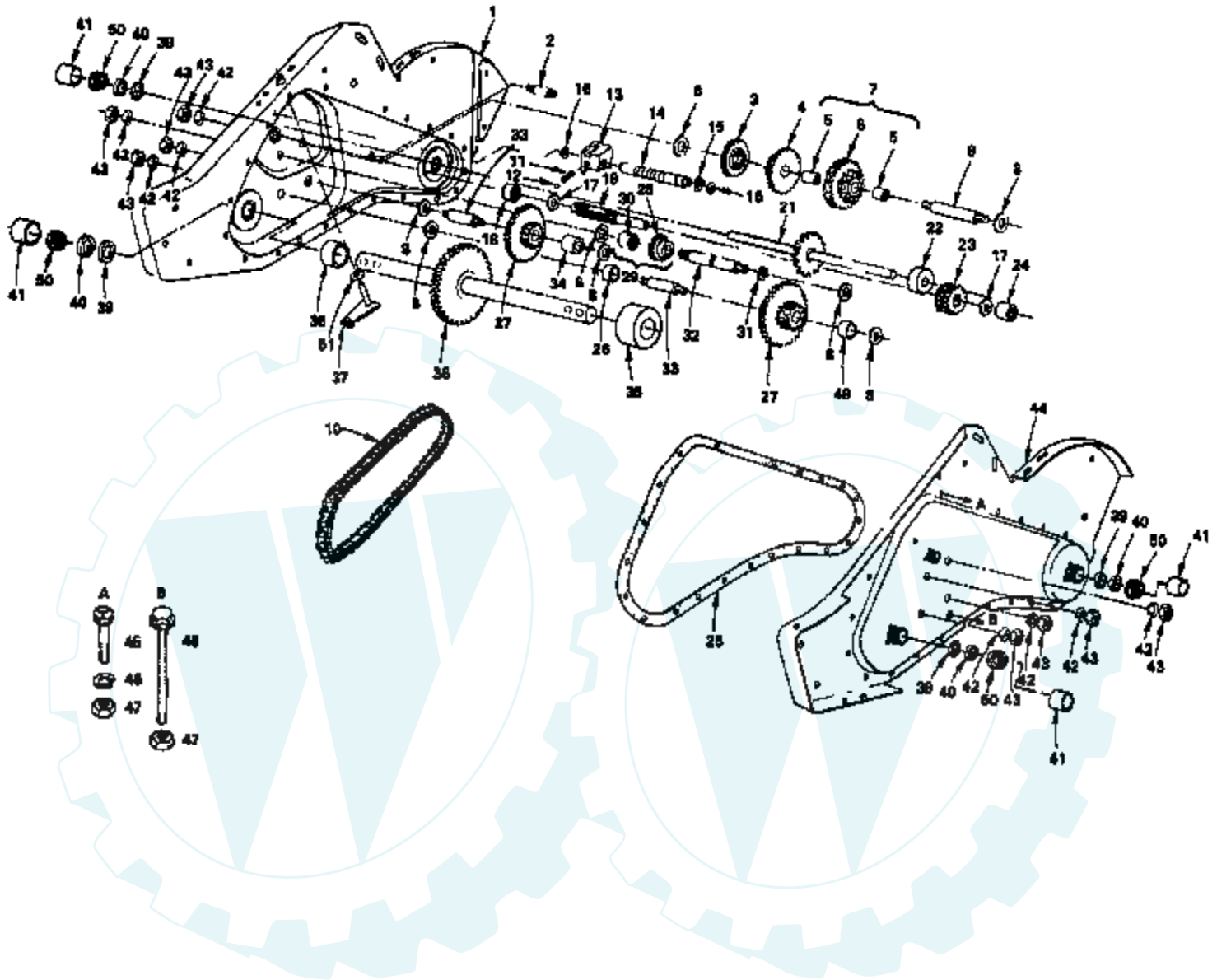


Ref #	Part Number	Qty	Description
1	6556J		SUB= 101194M
2	100445L		TINE ASSY CRT
3	6557J		SUB= 101193M
4	101194M		TINE.LH.CRT
5	4929H		RIVET.PAN HD.1.75
6	3146R		RETAINER.SPRING
7	10040600		LOCKWASHER
8	101193M		TINE RH CRT
9	74610616		BOLT
10	73610600		SUB= 7810H
11	74610624		BOLT.3/8-24X1-1/2
	104503X		OWNER'S MANUAL



REAR TINE TILLER-MODEL NUMBERS RT180BR

TRANSMISSION - GROUND DRIVE



Ref #	Part Number	Qty	Description
	105377X		SUB= 160370
1	106179X		SUB= 150430
2	8370J		BOLT TI
3	8547J		REVERSE GEAR TI
4	8546J		CLUSTER GEAR TI
5	100413K		"CRT, BEARING"
6	674A291		SUB= 674A290
7	674A290		SPROCKET ASSY TI
8	4358J		WASHER
9	8358J		REDUCTION SHFT TI
10	8371J		CHAIN TI
11	100371K		SPRING-SHIFT CRT
12	7392M		SUB= 100482K
13	8353J		SHIFT FORK TI
14	8354J		SHIFT SHAFT TI
15	12000039		KLIP RING
16	4360J		SUB= 102136X
17	1370H		"T, BEARING"
18	4895H		"TI, BEARING"
19	100724M		SHAFT INPUT T
21	105378X		SHAFT TINE CRT
22	106181X		SPACER CRT
23	8359J		INPUT PINION TI
24	5020J		NEEDLE BRNG LT
25	8372J		GEARCASE GSKT TI
26	106389X		SPACER CRT
27	100433M		GEAR CLUSTER CRT
28	8357J		REVERSE GEAR TI
29	674A289		GEAR ASSY TI
30	6803J		NEEDLE BEARING TI
31	12000040		KLIP RING
32	8356J		REVERSE SHAFT TI
33	100016K		SHAFT CRT
34	106392X		SPACER CRT
35	106394X		SPACER CRT
36	100436L		SHAFT ASSY CRT
37	674A288		SUB= 142145
38	106393X		SPACER CRT
39	9674R		SUB= 147344
40	9676R		SUB= 147344
41	9672R		CUP.FORMED.
42	10040700		LOCKWASHER
43	73610700		NUT.ASF.HEX.7/16
44	674A284		SUB= 150417
45	74760512		BOLT
46	10040500		LOCKWASHER
47	73220500		NUT.HEX.5/16-18
48	100107K		BOLT TI
49	106391X		SPACER CRT
50	102144X		RING SPIRAL CRT
51	106160X		O-RING TI
	6066J		GREASE PREMIUM-1