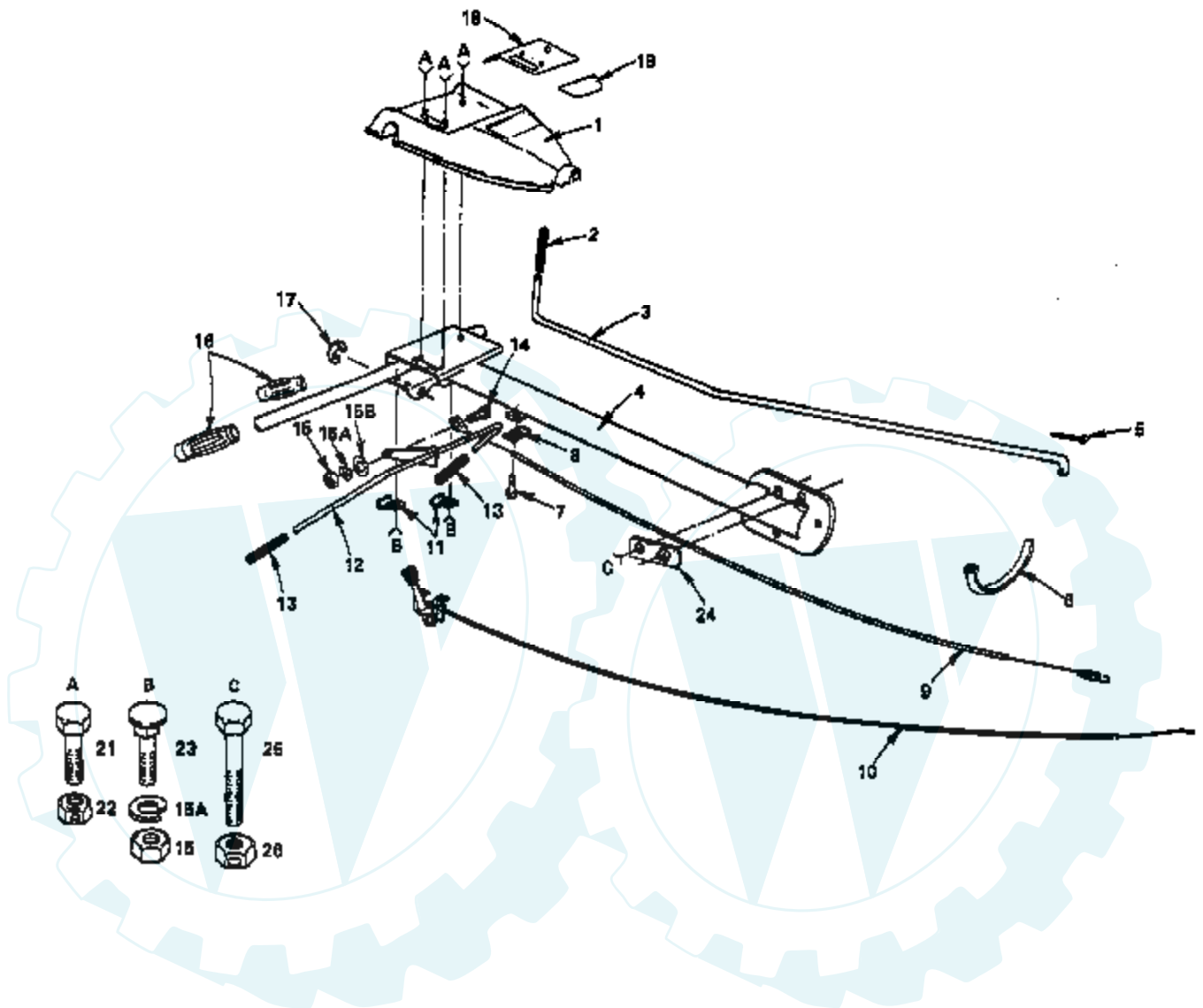


REAR TINE TILLER-MODEL NUMBER RT180AR

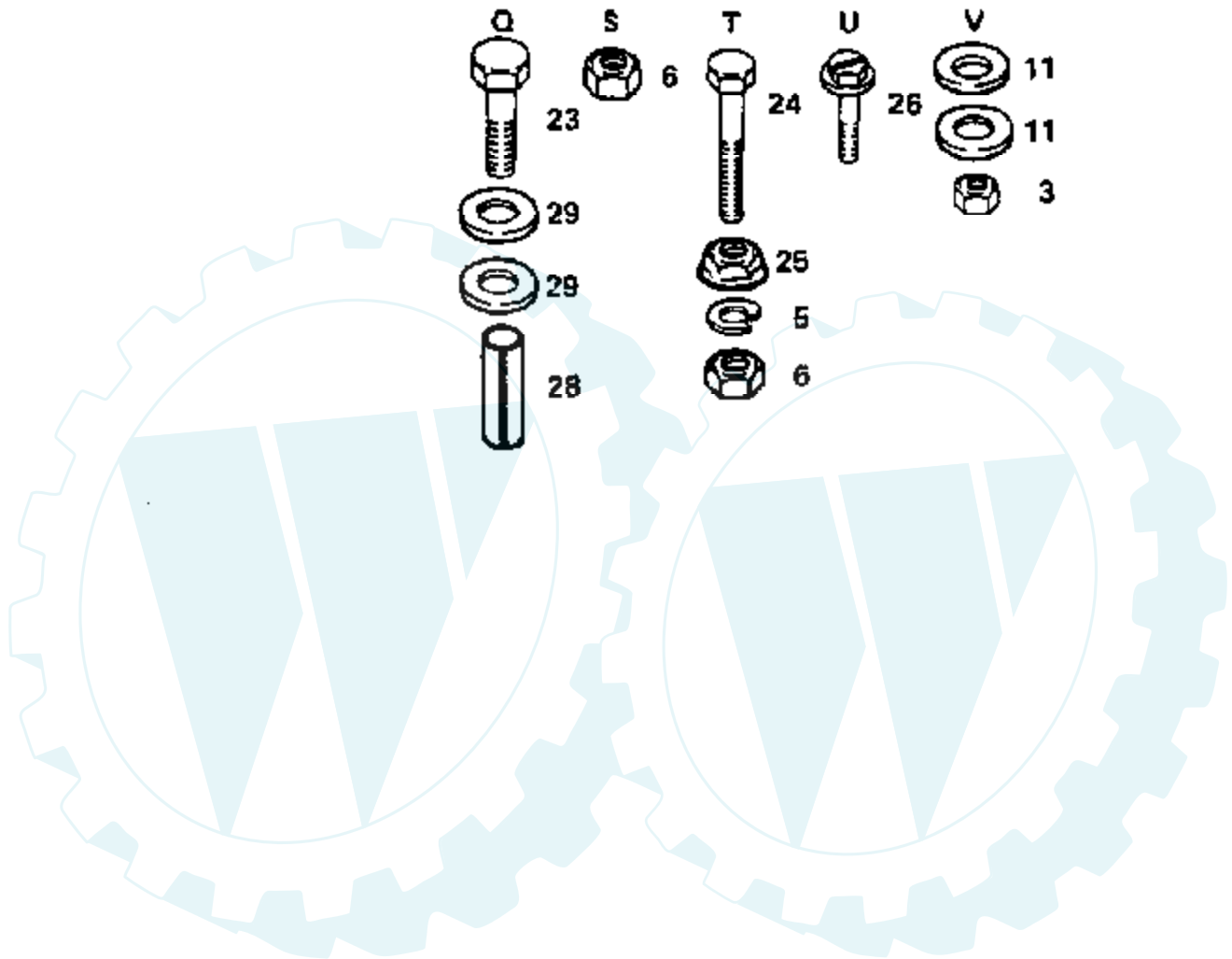
CONTROL GROUP



Ref #	Part Number	Qty	Description
1	102595X		PANEL - CONTROL
2	8389J		GRIP TI
3	102868X358		ROD - SHIFT
4	104889X358		ASSY-HANDLE TI
5	76020412		COTTER PIN
6	104164X		TIE CABLE CRT
7	17561008		SCREW TI
8	9484R		CONDIUT CLIP T
9	104717X		CABLE-CLUTCH TI
10	102716X		NLA
11	102744X		SUB= 102744X431
12	102601X358		SUB= 105216X
13	102604X		GRIP BAR CRT
14	81328		SHOULDER BOLT ST
15	73220400		SUB= 50675
15A	10040400		LOCKWASHER
15B	19091016		WASHER
16	9266R		SUB= 624A78
17	12000037		KLIP RING
18	102691X		DECAL - INSTRUCTION
19	102692X		DECAL - CONTROL PANEL
21	74981008		SCREW
22	98000049		NUT
23	72110404		BOLT
24	101282K		"NUT, LOCK CRT"
25	74760416		BOLT
26	73690400		LOCKNUT

REAR TINE TILLER--MODEL NUMBER RT180AR

MAIN FRAME

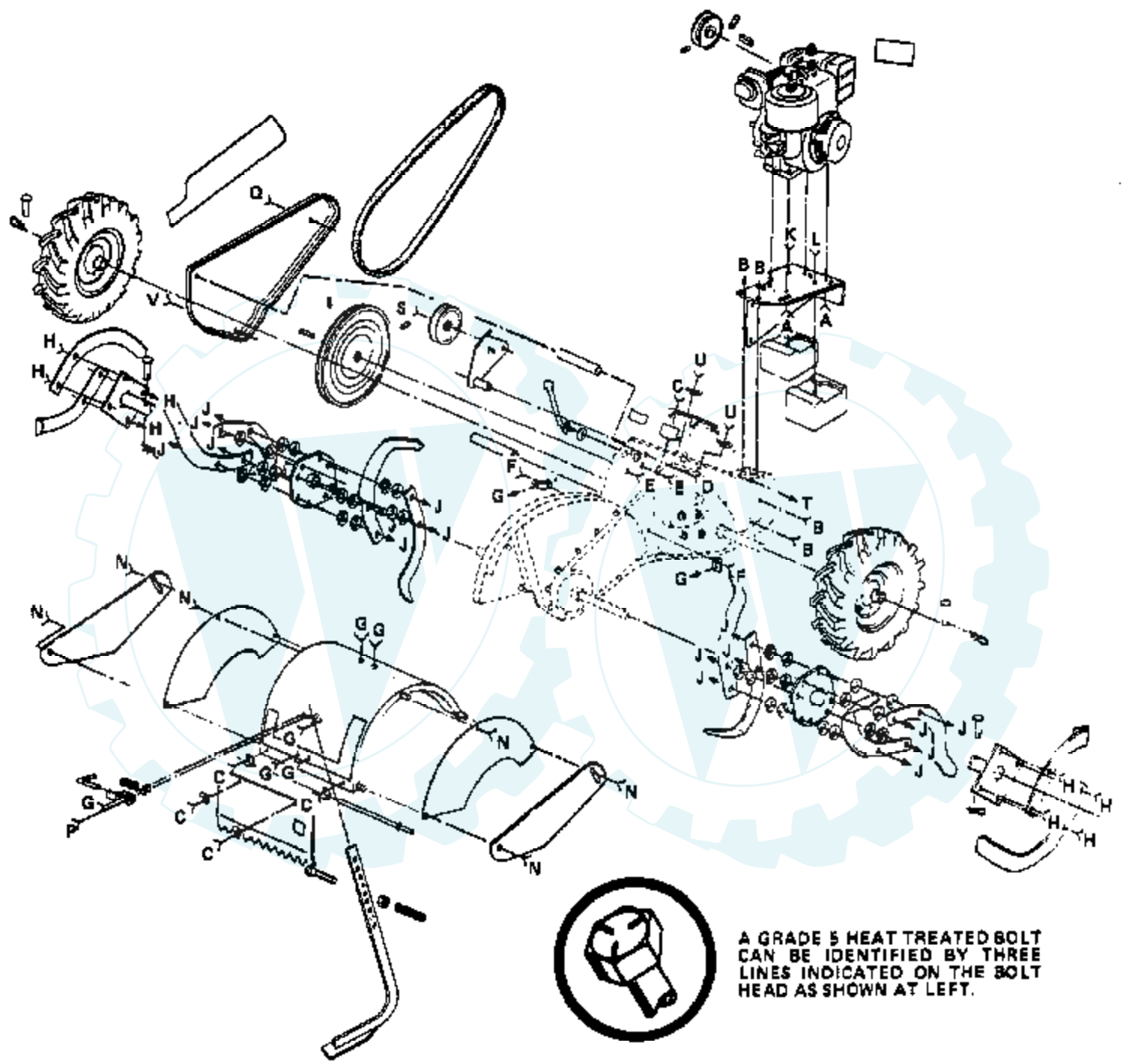


Ref #	Part Number	Qty	Description
3	73220500		NUT.HEX.5/16-18
5	10040600		LOCKWASHER
6	73220600		NUT.HEX.3/8-16UNC
11	19111116		WASHER
23	74770840		BOLT TI
24	100105K		BOLT TI
25	100210K		SUB= 83923
26	17561008		SCREW TI
28	102774X		NLA
29	19171616		WASHER



REAR TINE TILLER--MODEL NUMBER RT180AR

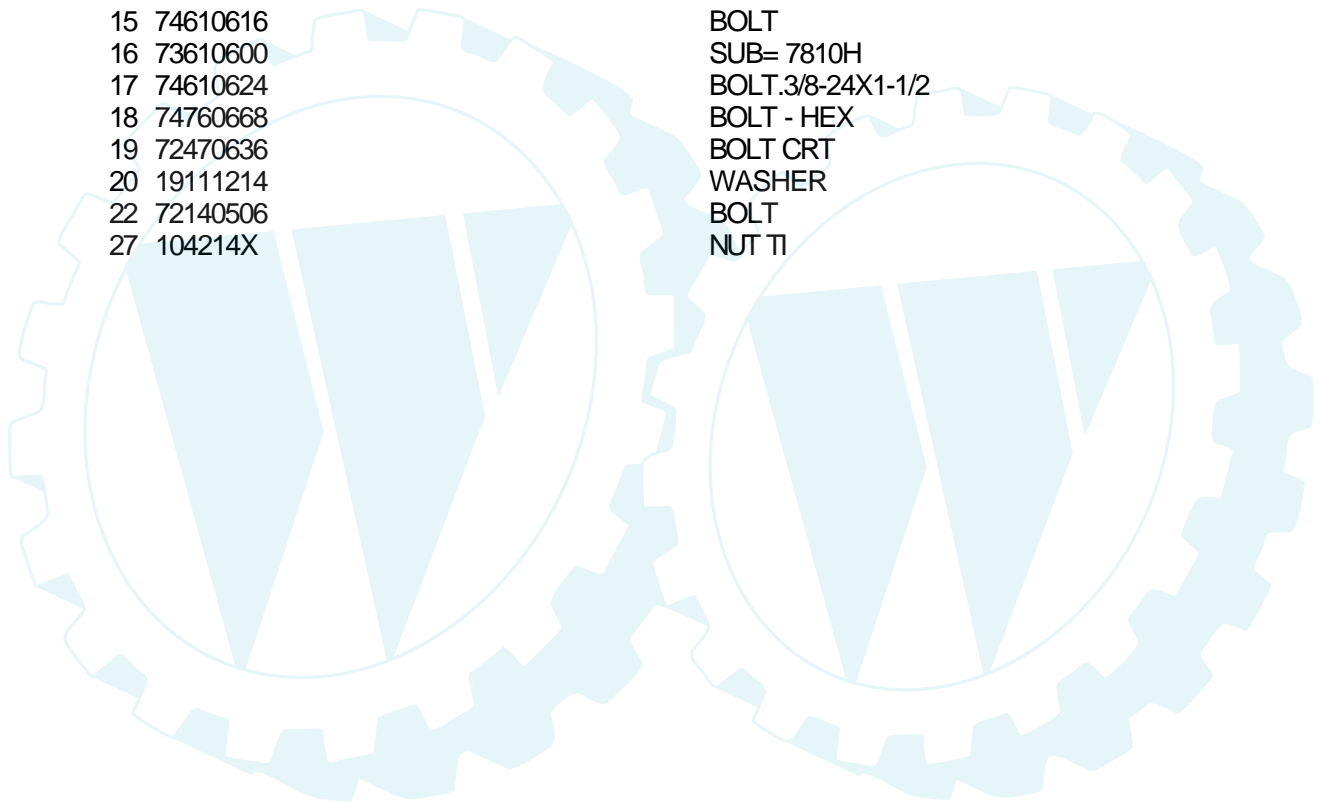
MAIN FRAME



A GRADE 5 HEAT TREATED BOLT CAN BE IDENTIFIED BY THREE LINES INDICATED ON THE BOLT HEAD AS SHOWN AT LEFT.

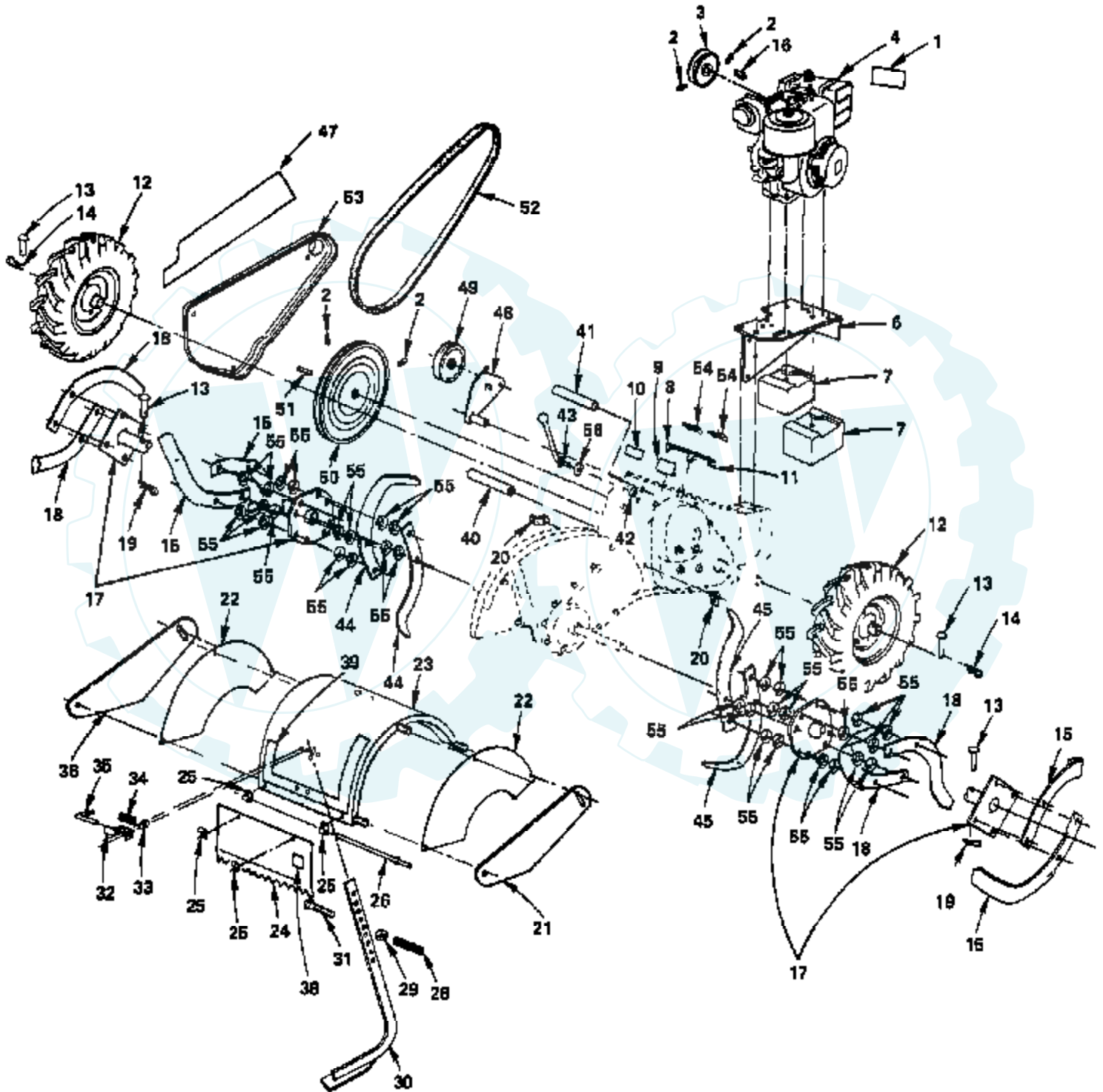
- | | | | | | | | | | | | | |
|----------|----------|----------|----------|----------|----------|----------|----------|----------|----------|----------|----------|----------|
| A | B | C | D | E | F | G | H | J | K | L | N | P |
| 1 | 4 | 7 | 10 | 12 | 2 | 14 | 15 | 17 | 18 | 19 | 20 | 22 |
| 2 | 5 | 8 | 3 | 13 | 3 | 2 | 3 | 6 | 5 | 3 | 2 | 3 |
| 3 | 6 | 9 | 11 | | | 3 | 18 | 16 | 6 | 5 | | |
| | | | 11 | | | | | 18 | 5 | 6 | | |
| | | | 27 | | | | | | 6 | 6 | | |

Ref #	Part Number	Qty	Description
1	74760528		BOLT
2	10040500		LOCKWASHER
3	73220500		NUT.HEX.5/16-18
4	74760616		BOLT
5	10040600		LOCKWASHER
6	73220600		NUT.HEX.3/8-16UNC
7	72110404		BOLT
8	10040400		LOCKWASHER
9	73220400		SUB= 50675
10	74930568		BOLT TI
11	19111116		WASHER
12	72140608		SUB= 72110608
13	5394H		SUB= 73930600
14	72140505		BOLT
15	74610616		BOLT
16	73610600		SUB= 7810H
17	74610624		BOLT.3/8-24X1-1/2
18	74760668		BOLT - HEX
19	72470636		BOLT CRT
20	19111214		WASHER
22	72140506		BOLT
27	104214X		NUT TI



REAR TINE TILLER-MODEL NUMBER RT180AR

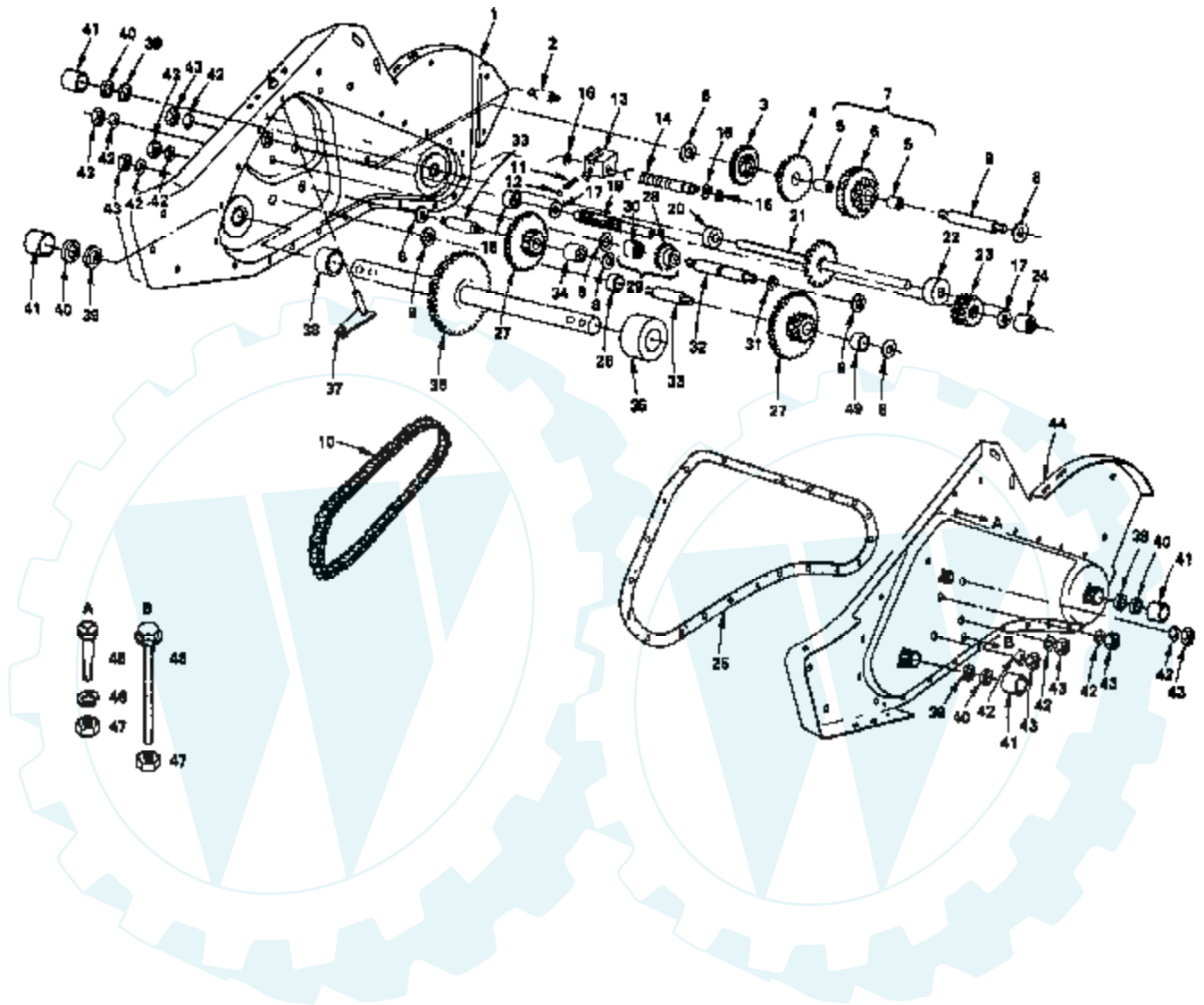
MAIN FRAME



Ref #	Part Number	Qty	Description
1	102718X		NLA
2	23200506		SET SCREW
3	4368J		SHEAVE CRT
4	190402		ENGINE - 8 HP
6	674A295		NLA
7	673H406		SUB= 8450J
8	100094K		LEVER ASSY T
9	673H455		SUB= 8700J
10	100108K		DECAL, SHIFT INDICATOR
11	1572H		SUB= 2882J
12	5014J		WHEEL TI
	5015J		TIRE TI
	795R		SUB= 65139
13	4929H		RIVET.PAN HD.1.75
14	4921H		SPRING.RETAINER
15	678H381		SUB= 101193M
16	4914H		KEY TI
17	100445L		TINE ASSY CRT
18	678H380		SUB= 101194M
19	3146R		RETAINER.SPRING
20	8386J		TINE SHLD BRKT TI
21	104102X358		SUB= 108710X505
22	104084X358		SUB= 104084X505
23	104178X358		SUB= 104178X505
24	102713X358		SUB= 102713X505
25	4440J		HINGE CRT
26	100247K		PIN HINGE CRT
28	8389J		GRIP TI
29	73220600		NUT.HEX.3/8-16UNC
30	673H399		SUB= 674A299
31	74930656		BOLT
32	8392J		LATCH BRACKET TI
33	12000036		KLIP RING TI
34	8394J		SPRING TI
35	8393J		STAKE PIN TI
36	104087X358		SUB= 108711X505
38	104476X		NLA
39	102719X		DECAL - TINE SHIELD
40	8382J		SPACER TI
41	8381J		SPACER TI
42	104886X		NUT FLANGE CRT
43	100099L		HANDLE LOCK CRT
44	101194M		TINE.LH.CRT
45	101193M		TINE RH CRT
47	102720X		DECAL - BELT GUARD
48	100106K		SUB= 105611X
49	104680X		SUB= 4371J
50	100473M		"SHEAVE 10"" CRT"
51	2649M		KEY T
52	8377J		SUB= 138399
53	102818X358		SUB= 102818X505
54	9484R		CONDIUT CLIP T
55	10040600		LOCKWASHER
56	19131414		WASHER
	102710X		OWNER'S MANUAL

REAR TINE TILLER-MODEL NUMBER RT180AR

TRANSMISSION - GROUND DRIVE



Ref #	Part Number	Qty	Description
	100432R		SUB= 160370
1	674A286		SUB= 150430
2	8370J		BOLT TI
3	8547J		REVERSE GEAR TI
4	8546J		CLUSTER GEAR TI
5	100413K		"CRT, BEARING"
6	674A291		SUB= 674A290
7	674A290		SPROCKET ASSY TI
8	4358J		WASHER
9	8358J		REDUCTION SHFT TI
10	8371J		CHAIN TI
11	100371K		SPRING-SHIFT CRT
12	7392M		SUB= 100482K
13	8353J		SHIFT FORK TI
14	8354J		SHIFT SHAFT TI
15	12000039		KLIP RING
16	4360J		SUB= 102136X
17	1370H		"T, BEARING"
18	4895H		"TI, BEARING"
19	100724M		SHAFT INPUT T
20	8367J		NLA
21	674A294		SUB= 105378X
22	8366J		NLA
23	8359J		INPUT PINION TI
24	5020J		NEEDLE BRNG LT
25	8372J		GEARCASE GSKT TI
26	4353J		SUB= 106389X
27	100433M		GEAR CLUSTER CRT
28	8357J		REVERSE GEAR TI
29	674A289		GEAR ASSY TI
30	6803J		NEEDLE BEARING TI
31	12000040		KLIP RING
32	8356J		REVERSE SHAFT TI
33	100016K		SHAFT CRT
34	100434K		SUB= 106392X
35	8365J		SUB= 106394X
36	100436L		SHAFT ASSY CRT
37	674A288		SUB= 142145
38	4357J		SUB= 106393X
39	9674R		SUB= 147344
40	9676R		SUB= 147344
41	9672R		CUP.FORMED.
42	10040700		LOCKWASHER
43	73610700		NUT.ASF.HEX.7/16
44	674A284		SUB= 150417
45	74760512		BOLT
46	10040500		LOCKWASHER
47	73220500		NUT.HEX.5/16-18
48	100107K		BOLT TI
49	100430K		SUB= 106391X
	6066J		GREASE PREMIUM-1