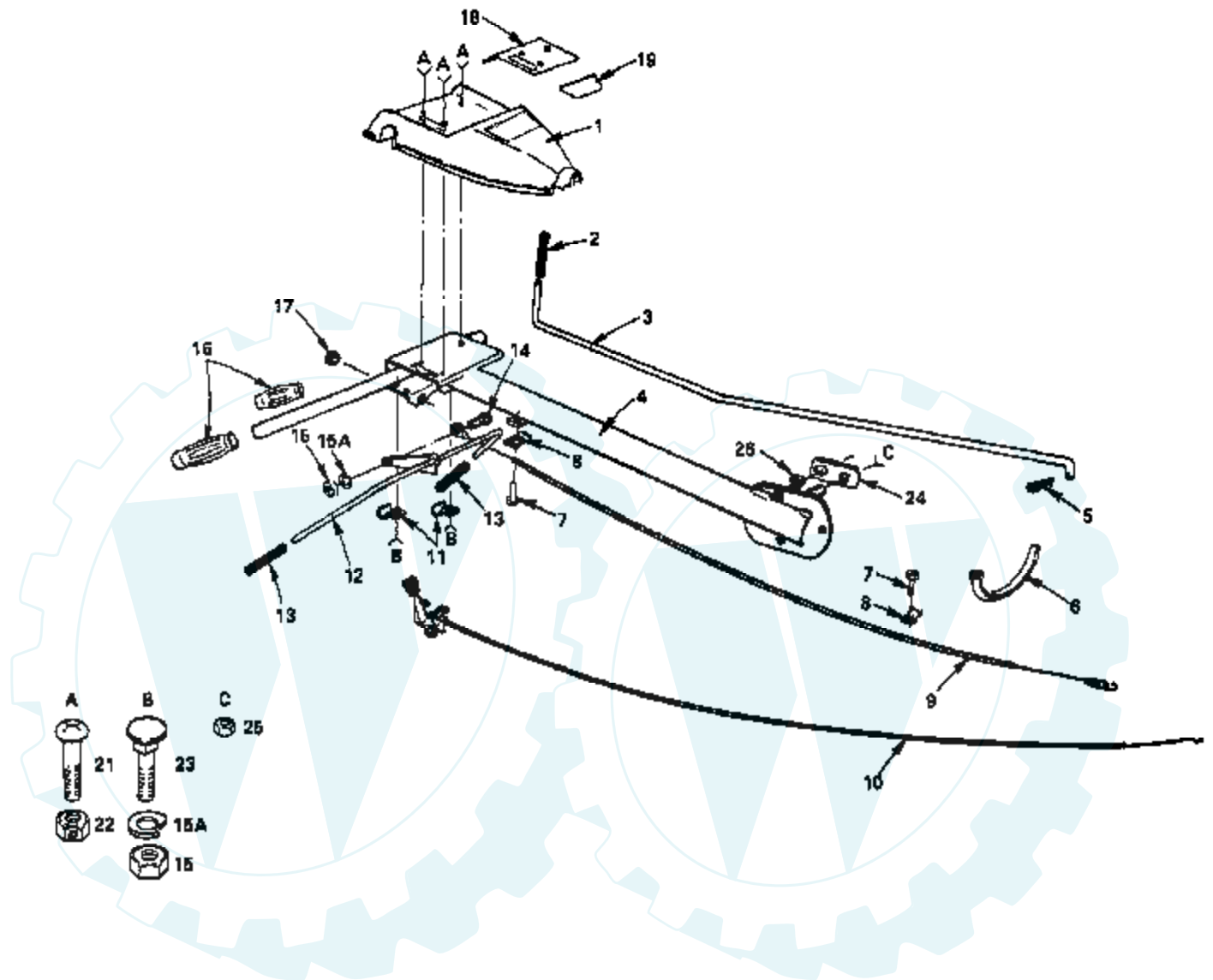


ROPER REAR TINE TILLER--MODEL NUMBERS RT150CR

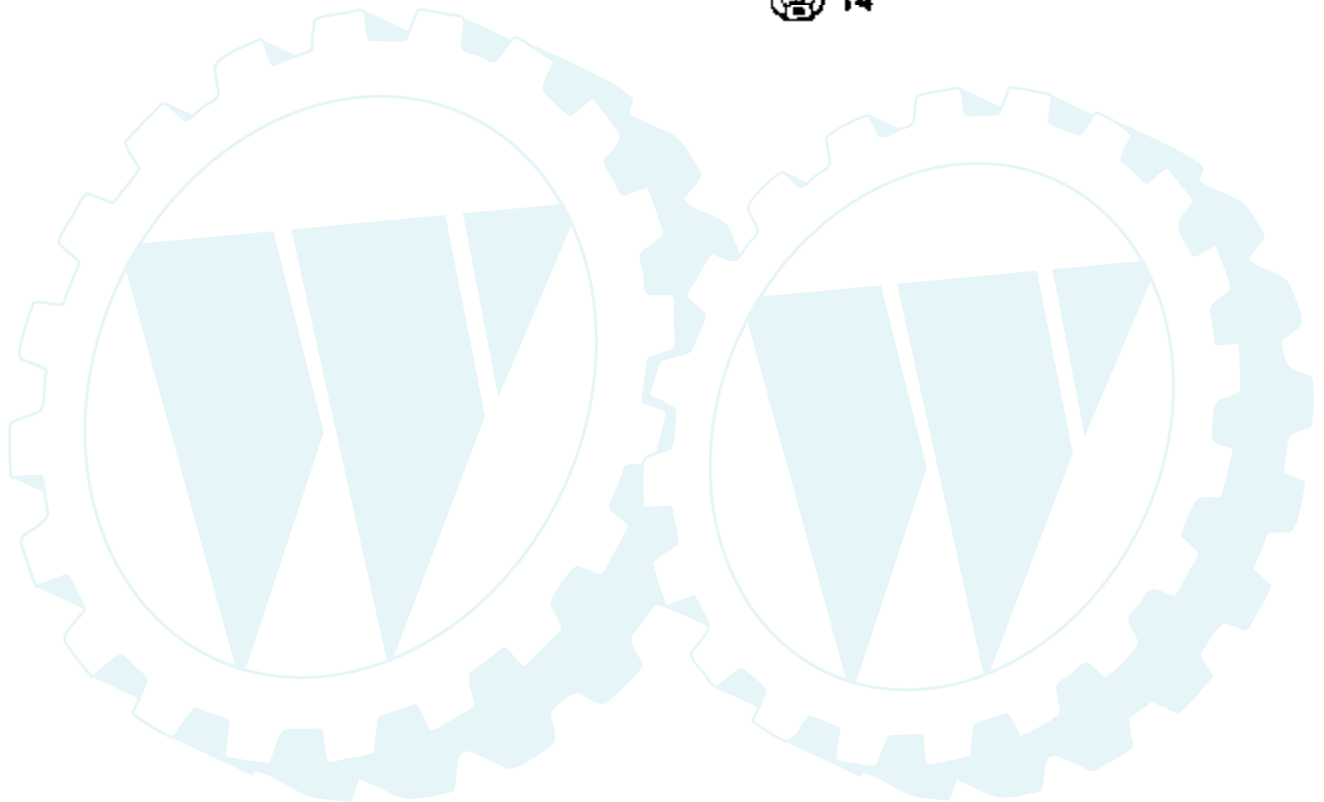
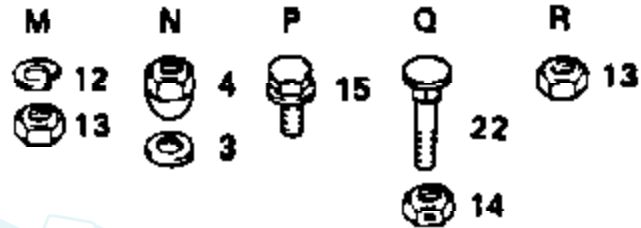
CONTROL GROUP



Ref #	Part Number	Qty	Description
1	102595X		PANEL - CONTROL
2	8389J		GRIP TI
3	102868X358		ROD - SHIFT
4	104890X358		SUB= 109446X431
5	4497H		RETAINER M
6	104164X		TIE CABLE CRT
7	17561008		SCREW TI
8	9484R		CONDIUT CLIP T
9	102162X		CABLE.CLUTCH.CRT
10	102687X		CTRL-THROTTLE T
11	102744X		SUB= 102744X431
12	105216X358		SUB= 105216X
13	102604X		GRIP BAR CRT
14	81328		SHOULDER BOLT ST
15	73220400		SUB= 50675
15A	10040400		LOCKWASHER
16	9266R		SUB= 624A78
17	102856X		GROMMET TI
18	102721X		NLA
18	104322X		NLA
19	102692X		DECAL - CONTROL PANEL
21	74981008		SCREW
22	98000049		NUT
23	72110404		BOLT
24	101282K		"NUT, LOCK CRT"
25	73690400		LOCKNUT
26	104886X		NUT FLANGE CRT

ROPER REAR TINE TILLER--MODEL NUMBERS RT150CR

MAIN FRAME

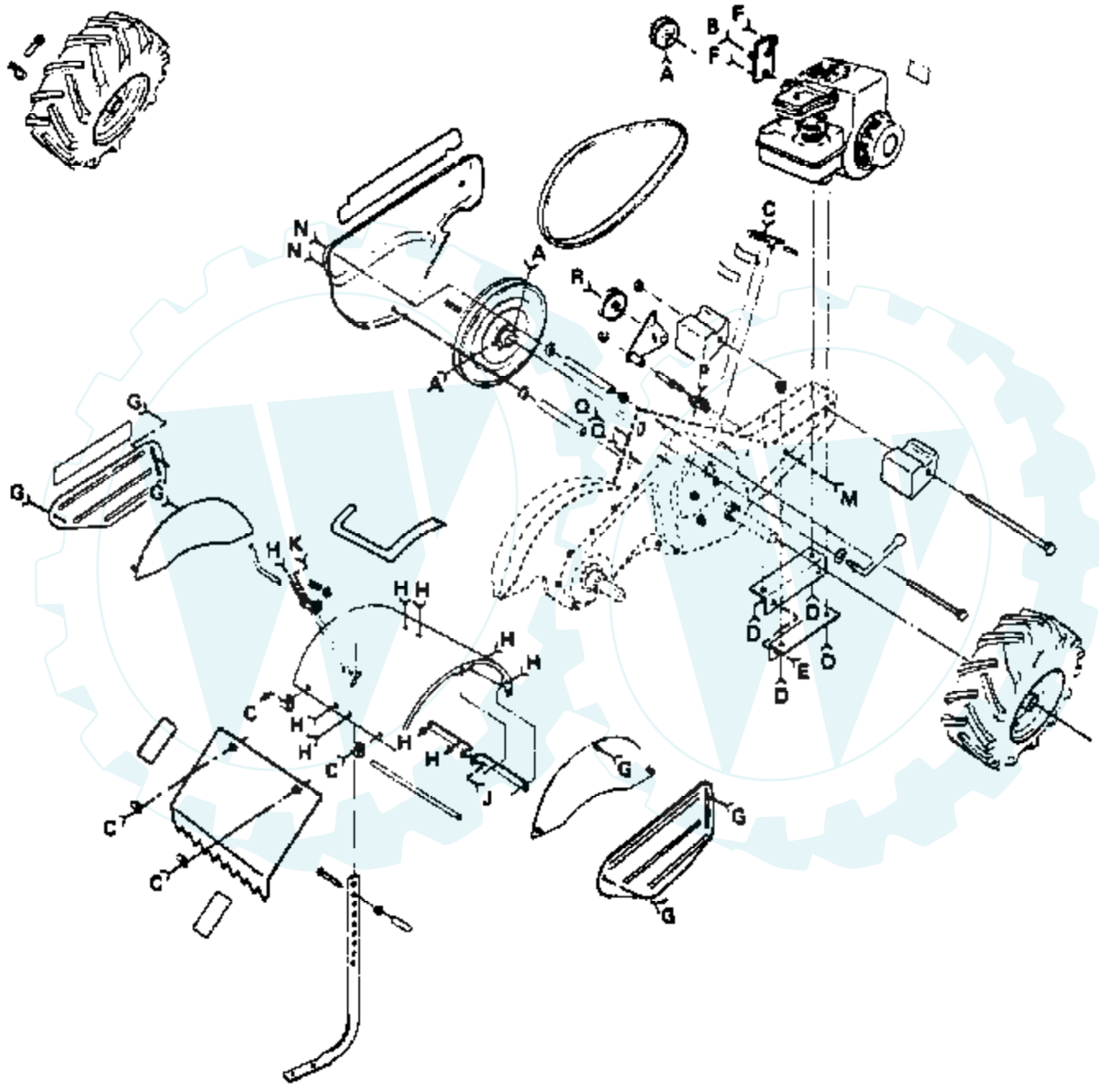


Ref #	Part Number	Qty	Description
3	19111116		WASHER
4	104214X		NUT TI
12	10040600		LOCKWASHER
13	73220600		NUT.HEX.3/8-16UNC
14	5394H		SUB= 73930600
15	17561008		SCREW TI
22	72140608		SUB= 72110608



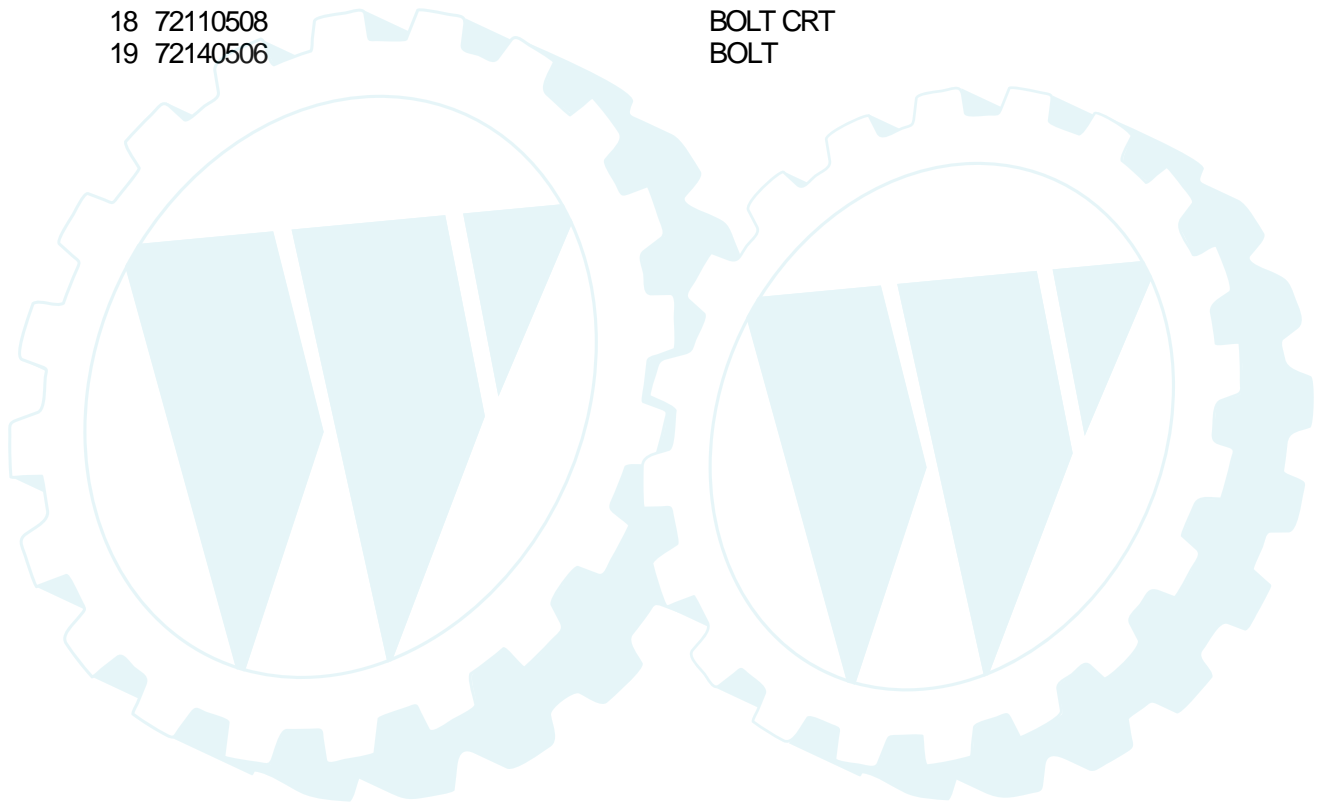
ROPER REAR TINE TILLER-MODEL NUMBERS RT150CR

MAIN FRAME



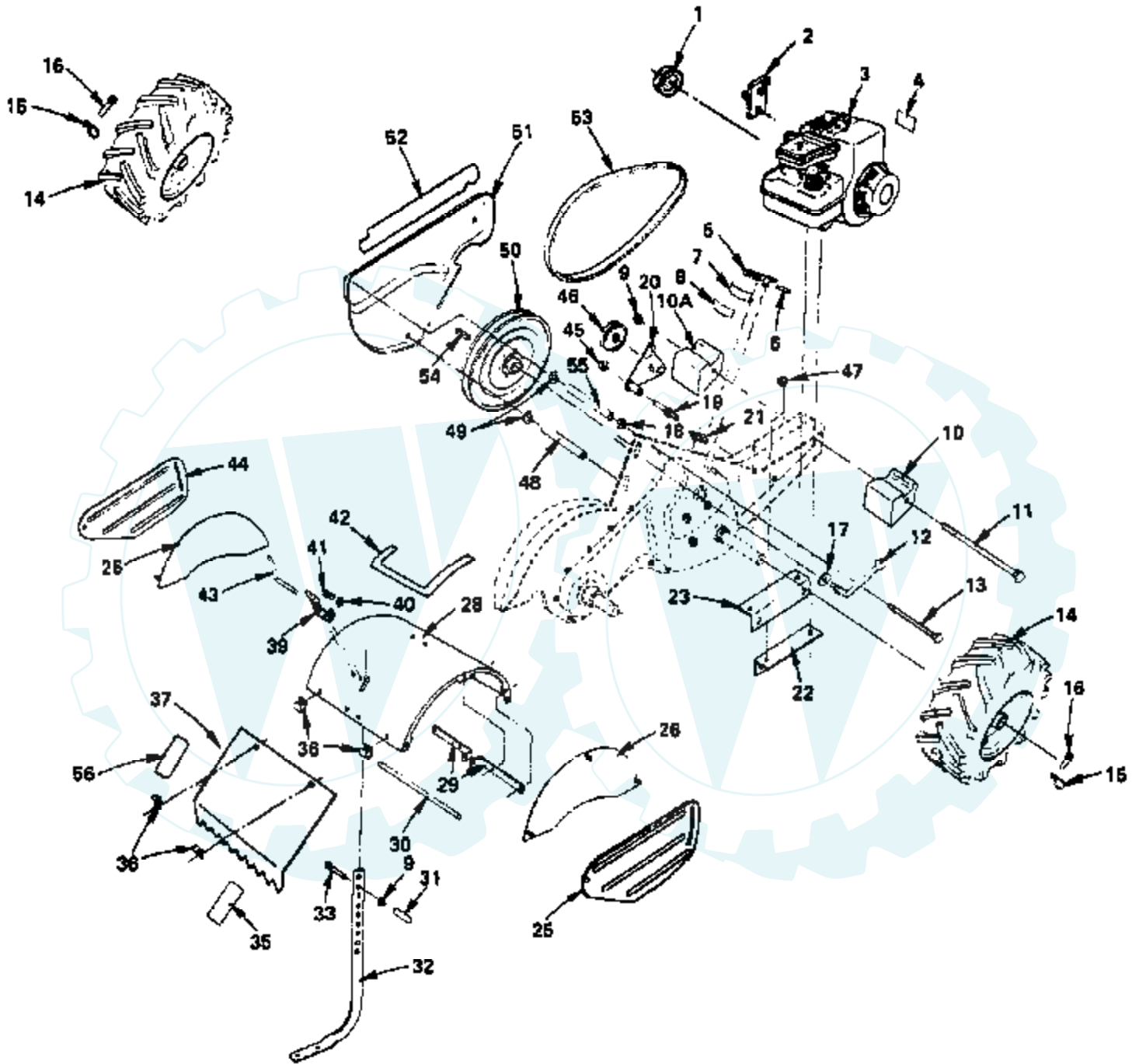
- A 1
- B 3
4
- C 5
6
7
- D 8
9
10
- E 11
12
13
- F 6
7
- G 16
- H 17
9
10
- J 18
9
10
- K 19
9
10

Ref #	Part Number	Qty	Description
1	23230506		SET SCREW
3	19111116		WASHER
4	104214X		NUT TI
5	72110404		BOLT
6	10040400		LOCKWASHER
7	73220400		SUB= 50675
8	74760524		BOLT.HEX.5/16-1.5
9	10040500		LOCKWASHER
10	73220500		NUT.HEX.5/16-18
11	74760616		BOLT
12	10040600		LOCKWASHER
13	73220600		NUT.HEX.3/8-16UNC
16	98000129		NUT
17	72140505		BOLT
18	72110508		BOLT CRT
19	72140506		BOLT



ROPER REAR TINE TILLER MODEL NUMBERS RT150CR

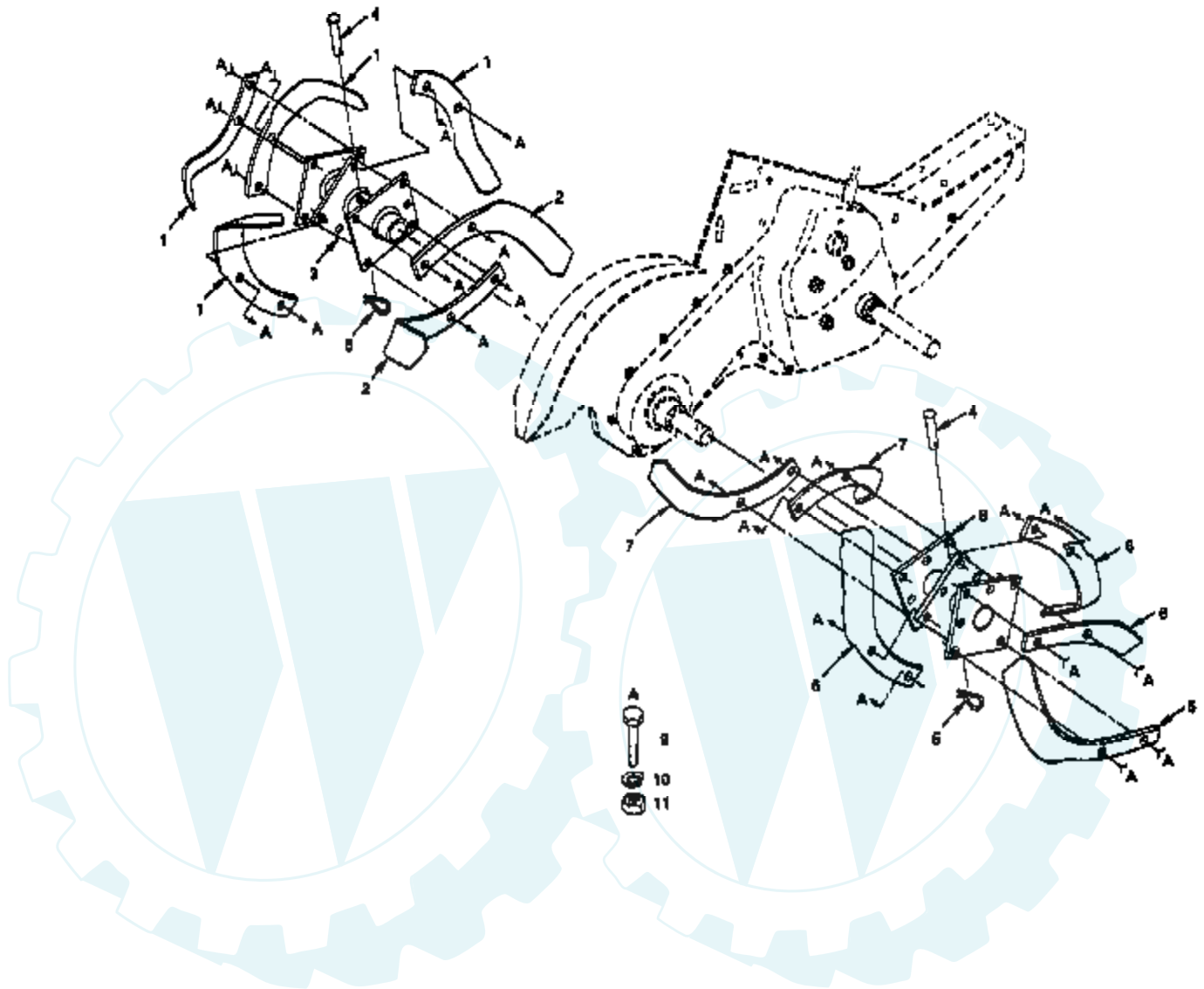
MAIN FRAME



Ref #	Part Number	Qty	Description
1	102142X		SUB= 130816
2	102376X		BRACKET ASSY CRT
3	130202		NLA
4	102697X		DECAL - 5HP
5	102166X		SUB= 110111X
6	1572H		SUB= 2882J
7	8700J		PANEL TI
8	102180X		DECAL CRT
8	104323X		NLA
9	73220600		NUT.HEX.3/8-16UNC
10	102173X		COUNTERWEIGHT CRT
10A	102383X		COUNTERWEIGHT CRT
11	102384X		BOLT CRT
12	102373X		SUB= 109228X
13	74930576		BOLT-HEX TI
14	102189X		SUB= 124258X
	102190X		TIRE.CHV.13X5.0-6
	795R		SUB= 65139
15	4497H		RETAINER M
16	102841X		SUB= 126875X
17	19131414		WASHER
18	73220500		NUT.HEX.5/16-18
19	102141X		SHIFT ARM CRT
20	105611X		SUB= 918105611X
21	9484R		CONDIUT CLIP T
22	102332X		BRACKET RH CRT
23	102331X		BRACKET LH CRT
25	104101X358		NLA
26	104085X358		SUB= 104085X505
28	102326X358		NLA
29	102155X		SUB= 124343X
30	102154X		SUB= 120588X
31	102701X		GRIP CRT
32	102156X		SUB= 102156X500
33	74930632		BOLT
35	104476X		NLA
35	104816X		NLA
36	4440J		HINGE CRT
37	102695X358		SHLD-LEVELING TI
39	8392J		LATCH BRACKET TI
40	12000036		KLIP RING TI
41	8394J		SPRING TI
42	102698X		DECAL - TINE SHIELD
43	8393J		STAKE PIN TI
44	104086X358		SUB= 104086X505
45	12000032		KLIP RING
46	104679X		PULLEY-IDLER TI
47	105897X		GROMMET TI
48	104370X		SPACER CRT
49	19111116		WASHER
50	100473M		"SHEAVE 10"" CRT"
51	102148X358		SUB= 131159X428
52	102699X		NLA
53	102143X		SUB= 132672
54	2649M		KEY T
55	104369X		SPACER CRT
56	104949X		DECAL - DEPTH ADJUSTMENT

ROPER REAR TINE TILLER-MODEL NUMBERS RT150CR

TINE ASSEMBLY

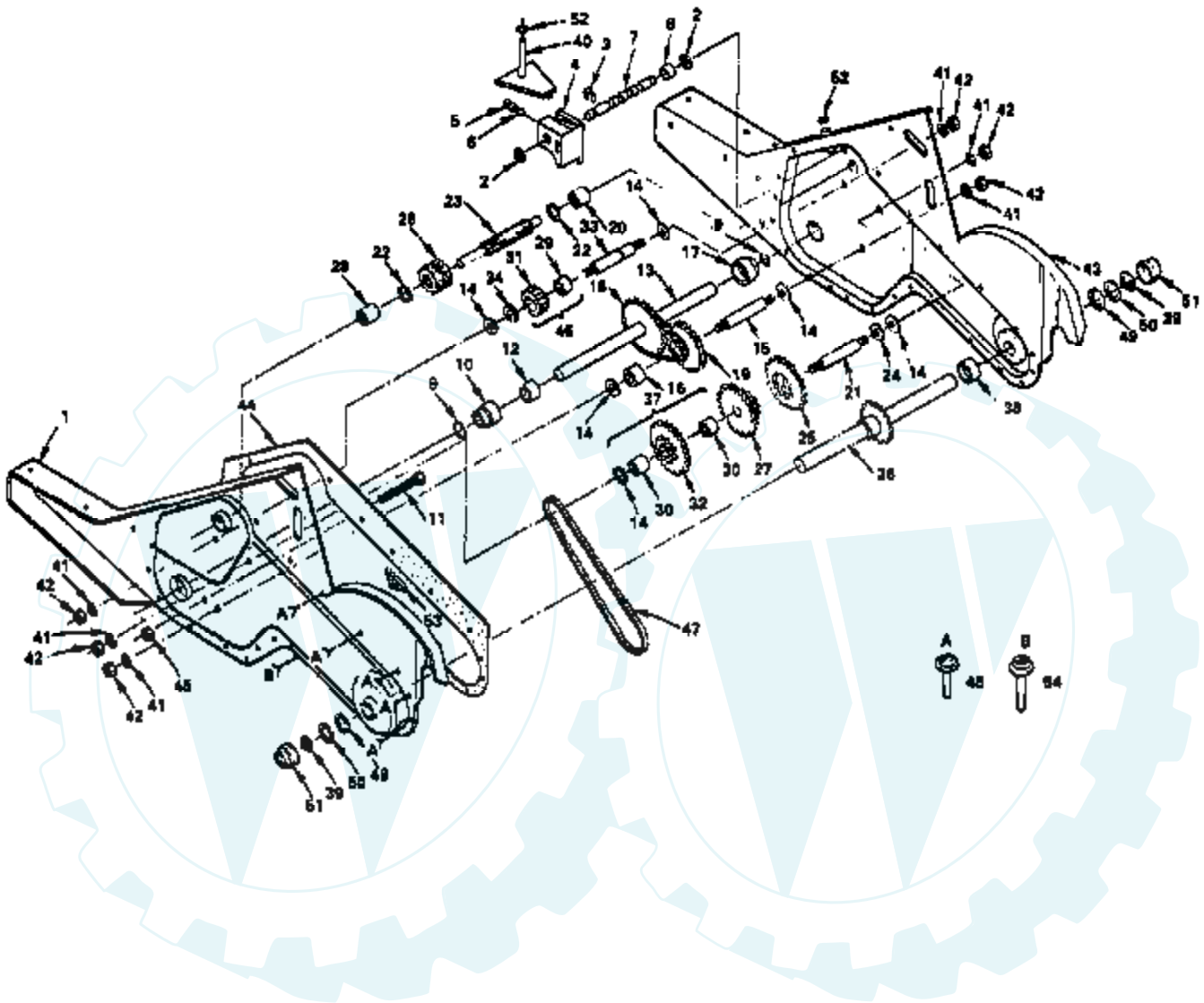


Ref #	Part Number	Qty	Description
1	4459J		SUB= 6554J
2	6554J		"TINE.LH.12""
3	102380X		TINE ASSY LH CRT
4	4929H		RIVET.PAN HD.1.75
5	3146R		RETAINER.SPRING
6	4460J		SUB= 6555J
7	6555J		"TINE.RH.12""
8	102382X		TINE ASSY RH CRT
9	74610616		BOLT
10	10040600		LOCKWASHER
11	73610600		SUB= 7810H
	104537X		MANUAL - OWNER'S



ROPER REAR TINE TILLER-MODEL NUMBERS RT150CR

TRANSMISSION - GROUND DRIVE



Ref #	Part Number	Qty	Description
	106134X		SUB= 155112
1	106135X		SUB= 150698
2	102136X		WASHER SEAL CRT
3	12000039		KLIP RING
4	8353J		SHIFT FORK TI
5	100371K		SPRING-SHIFT CRT
6	7392M		SUB= 100482K
7	102109X		SHAFT SHIFT CRT
8	104159X		SPACER SPLIT CRT
9	102128X		O RING CRT
10	102100X		"CRT, BEARING"
11	102101X		SCRW WHIZ LOK CRT
12	8364J		SUB= 106390X
13	102124X		SUB= 109204X
14	4358J		WASHER
15	102112X		SHFT 2ND RED. CRT
16	102127X		SUB= 106388X
17	102106X		SUB= 918102106X
18	102134X		CHAIN CRT
19	102121X		SPRCKT 8 GEAR CRT
20	4895H		"TI, BEARING"
21	8358J		REDUCTION SHFT TI
22	1370H		"T, BEARING"
23	102110X		SHAFT-INPUT CRT
24	4220R		BRNG RACE
25	105346X		GEAR TI
26	102113X		PINION-INPUT CRT
27	105345X		GEAR TI
28	5020J		NEEDLE BRNG LT
29	6803J		NEEDLE BEARING TI
30	4422J		BEARING
31	102115X		GEAR-REV IDLR CRT
32	106142X		SUB= 137300
33	102111X		SHAFT CRT
34	12000040		KLIP RING
36	106144X		SHAFT ASSY TI
37	106141X		SUB= 137300
38	106146X		SPACER TI
39	102144X		RING SPIRAL CRT
40	102107X		ARM ASSY CRT
41	10040700		LOCKWASHER
42	73610700		NUT.ASF.HEX.7/16
43	106138X		SUB= 150700
44	106211X		GASKET TI
45	73220500		NUT.HEX.5/16-18
46	102114X		GEAR ASSY CRT
47	106147X		CHAIN.50 LINK TI
48	17580408		SCREW CRT
49	9674R		SUB= 147344
50	9676R		SUB= 147344
51	9672R		CUP.FORMED.
52	106160X		O-RING TI
53	106212X		BLOCK TI
54	17580410		SCREW TI
	6066J		GREASE PREMIUM-1