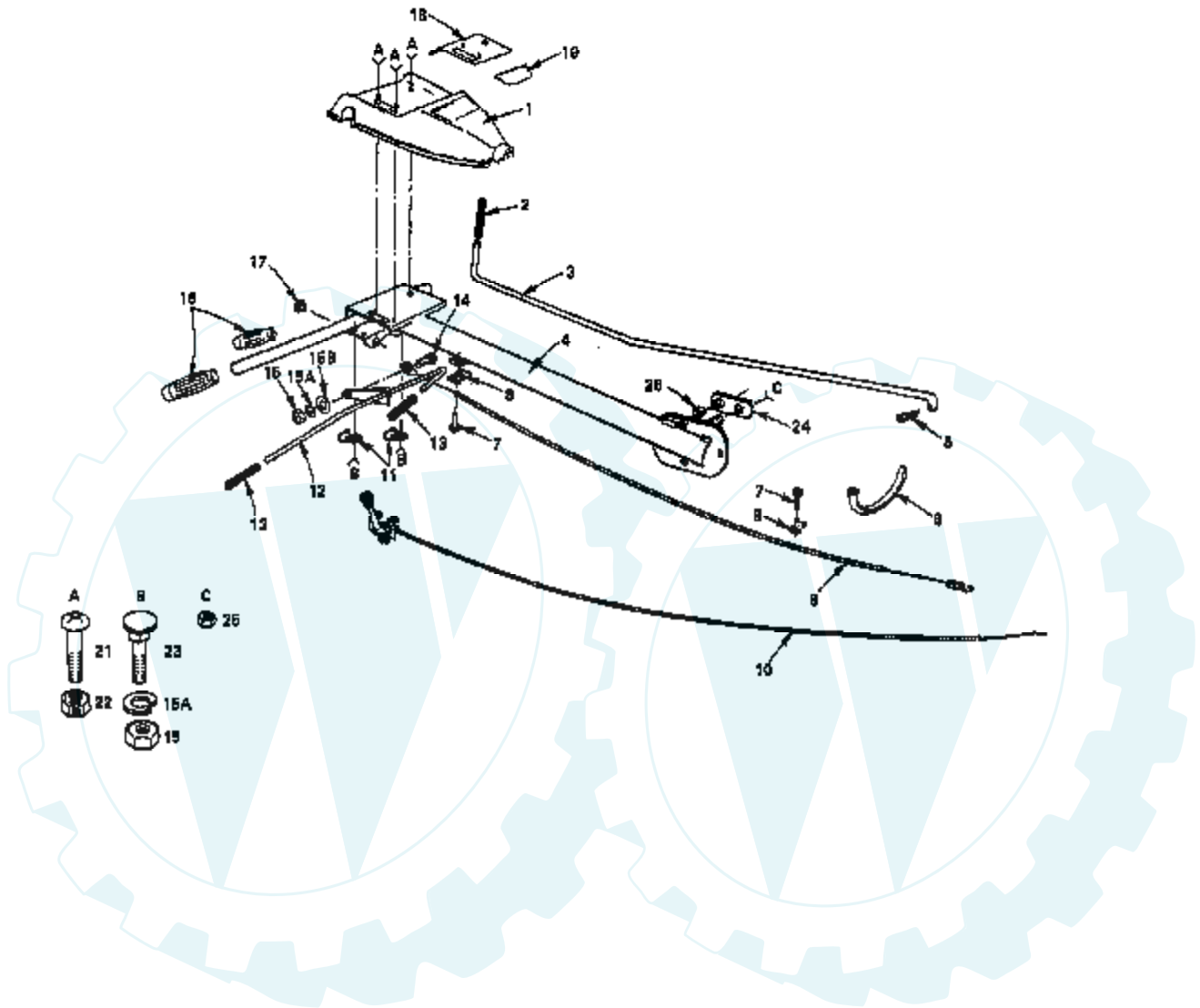


ROPER REAR TINE TILLER--MODEL NUMBER RT150AR

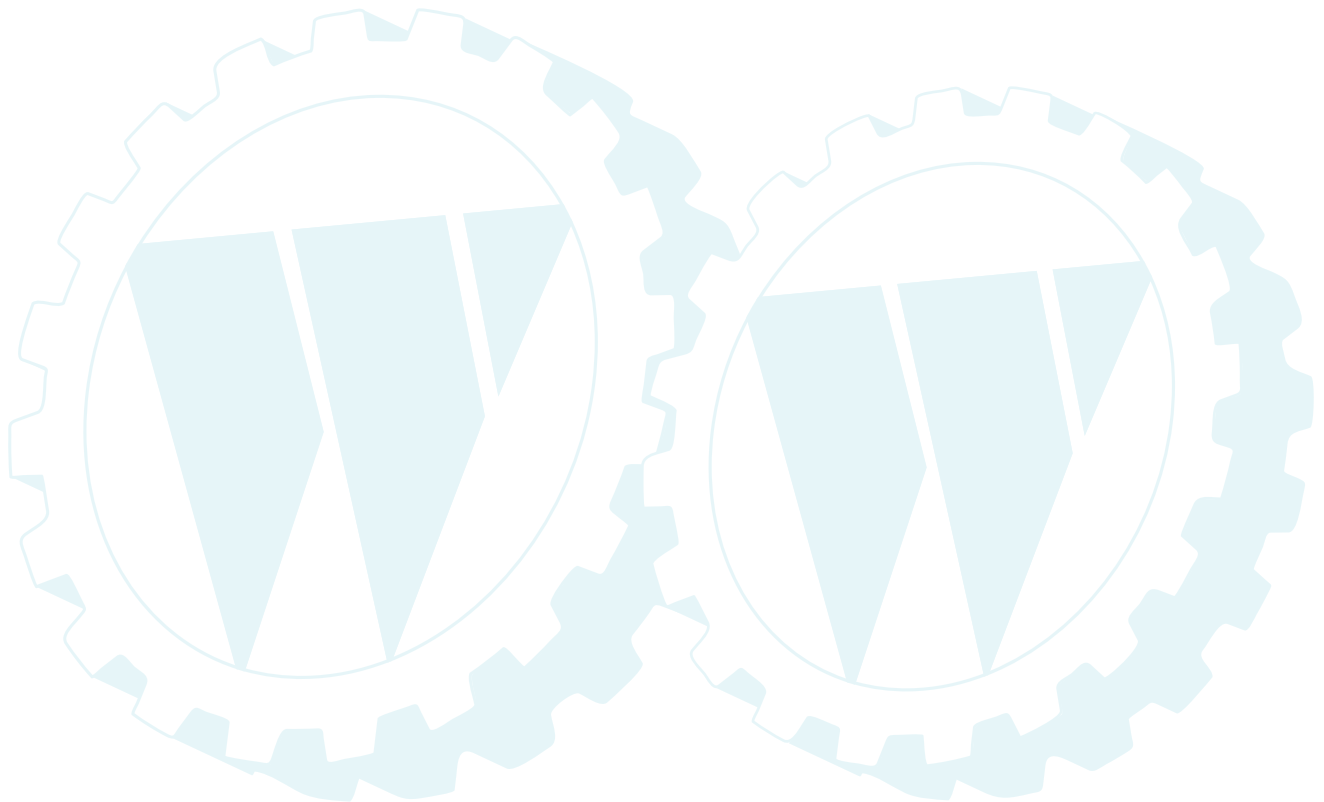
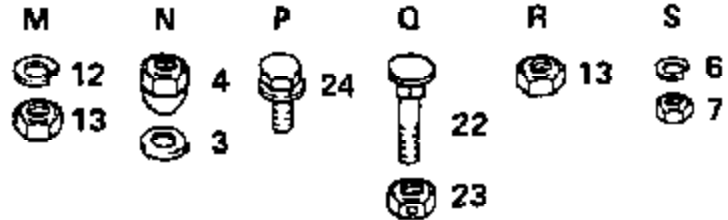
CONTROL GROUP



Ref #	Part Number	Qty	Description
1	102595X		PANEL - CONTROL
2	8389J		GRIP TI
3	102868X358		ROD - SHIFT
4	104890X358		SUB= 109446X431
5	4497H		RETAINER M
6	104164X		TIE CABLE CRT
7	17561008		SCREW TI
8	9484R		CONDIUT CLIP T
9	102162X		CABLE.CLUTCH.CRT
10	102687X		CTRL-THROTTLE T
11	102744X		SUB= 102744X431
12	102601X358		SUB= 105216X
13	102604X		GRIP BAR CRT
14	81328		SHOULDER BOLT ST
15	73220400		SUB= 50675
15A	10040400		LOCKWASHER
15B	19091016		WASHER
16	9266R		SUB= 624A78
17	102856X		GROMMET TI
18	102721X		NLA
19	102692X		DECAL - CONTROL PANEL
21	74981008		SCREW
22	98000049		NUT
23	72110404		BOLT
24	101282K		"NUT, LOCK CRT"
25	73690400		LOCKNUT
26	104886X		NUT FLANGE CRT

## ROPER REAR TINE TILLER--MODEL NUMBER RT150AR

### MAIN FRAME

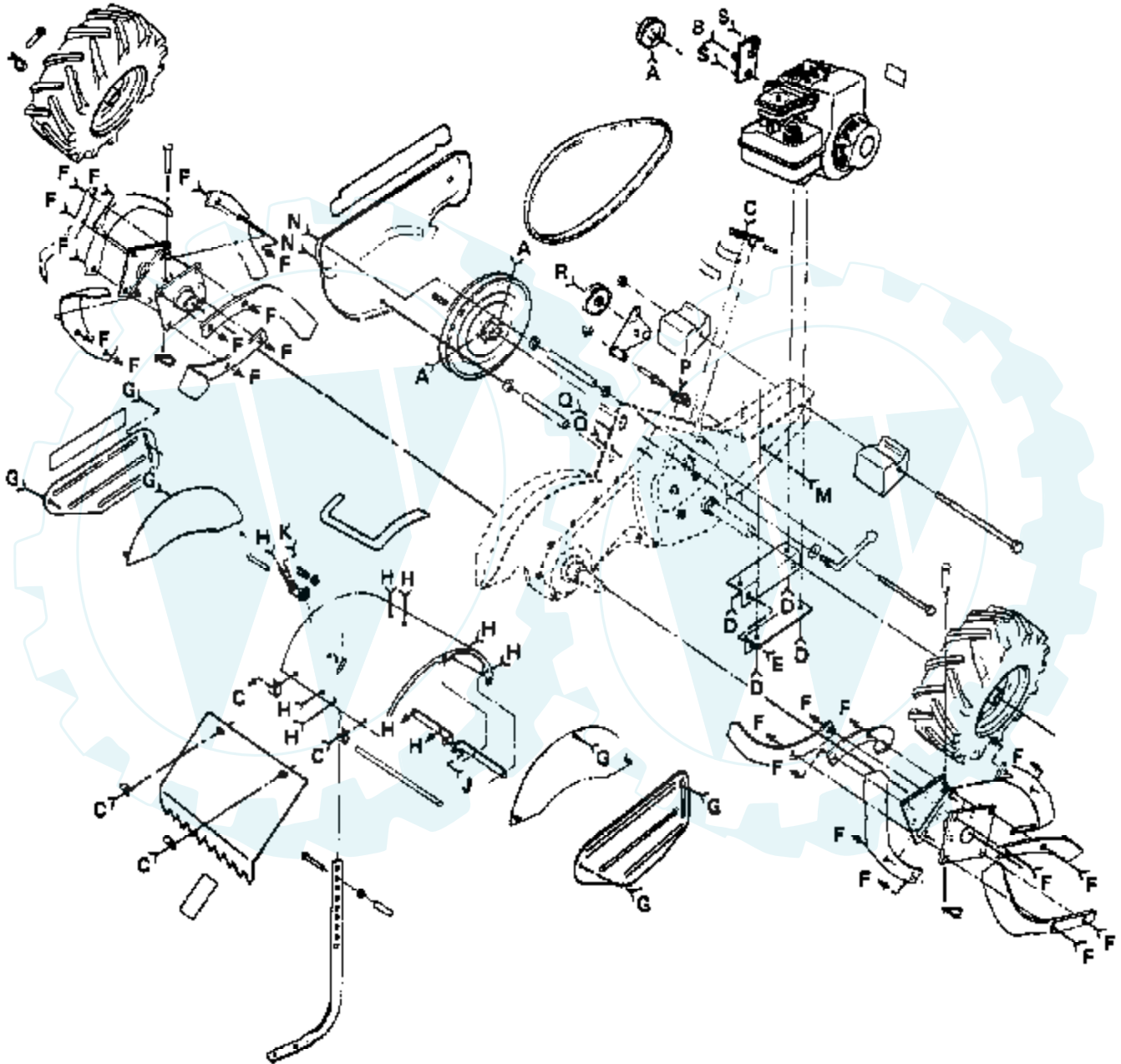


Ref #	Part Number	Qty	Description
3	19111116		WASHER
4	104214X		NUT TI
6	10040400		LOCKWASHER
7	73220400		SUB= 50675
12	10040600		LOCKWASHER
13	73220600		NUT.HEX.3/8-16UNC
22	72140608		SUB= 72110608
23	5394H		SUB= 73930600
24	17561008		SCREW TI



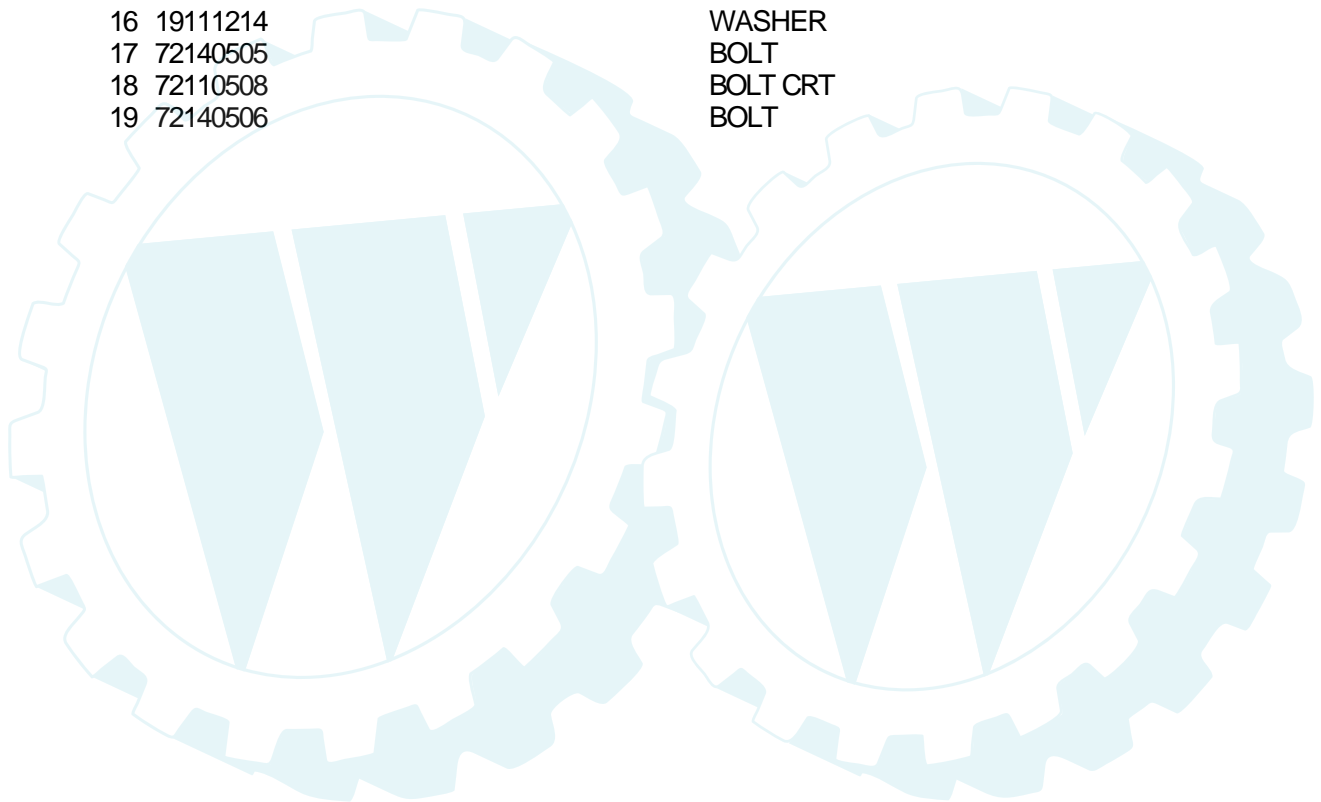
ROPER REAR TINE TILLER--MODEL NUMBER RT150AR

MAIN FRAME



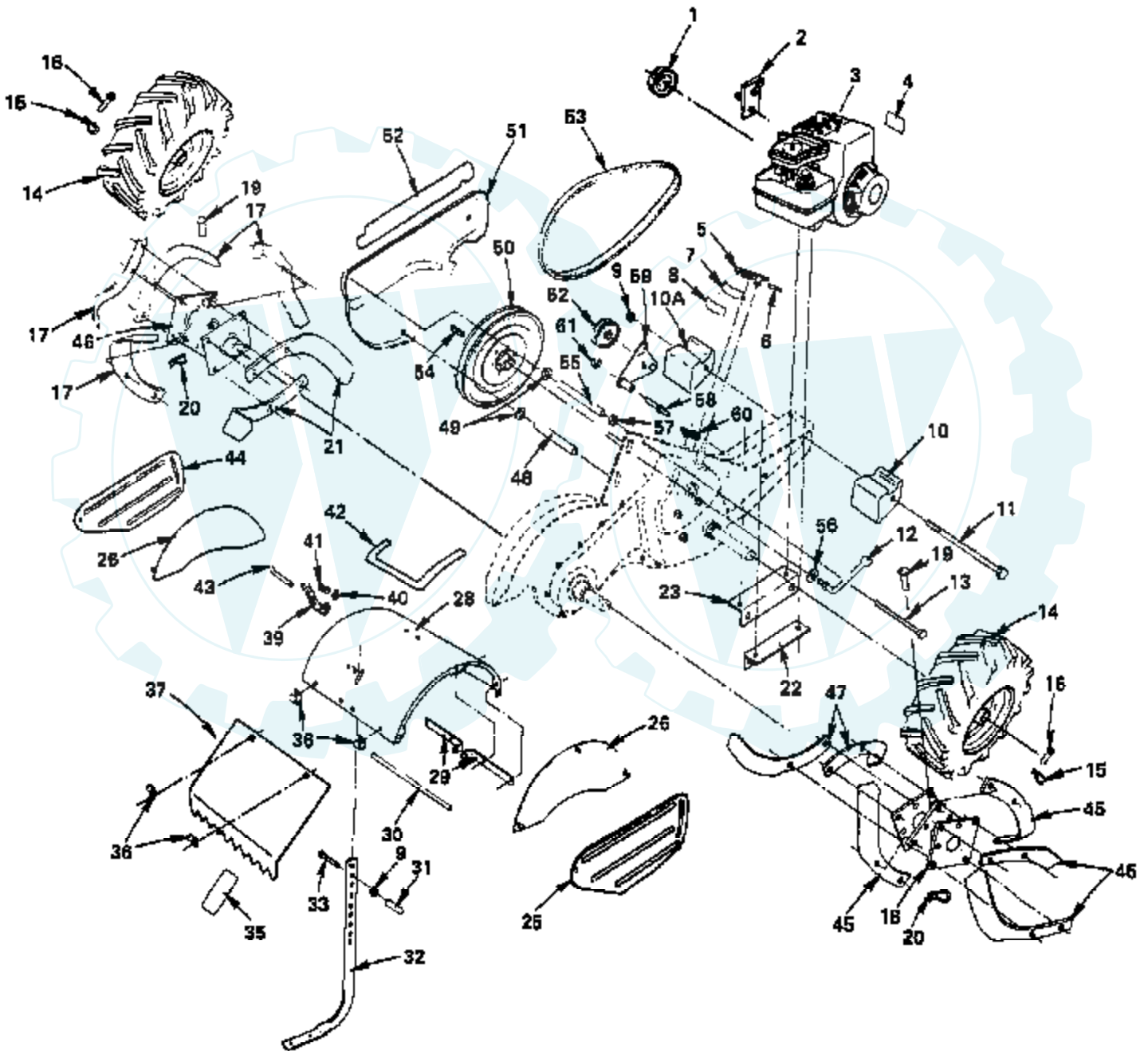
- |          |          |             |              |                |                |          |               |               |               |
|----------|----------|-------------|--------------|----------------|----------------|----------|---------------|---------------|---------------|
| <b>A</b> | <b>B</b> | <b>C</b>    | <b>D</b>     | <b>E</b>       | <b>F</b>       | <b>G</b> | <b>H</b>      | <b>J</b>      | <b>K</b>      |
| 1        | 3<br>4   | 5<br>6<br>7 | 8<br>9<br>10 | 11<br>12<br>13 | 14<br>12<br>15 | 16<br>10 | 17<br>9<br>10 | 18<br>9<br>10 | 19<br>9<br>10 |

Ref #	Part Number	Qty	Description
1	23230506		SET SCREW
3	19111116		WASHER
4	104214X		NUT TI
5	72110404		BOLT
6	10040400		LOCKWASHER
7	73220400		SUB= 50675
8	74760524		BOLT.HEX.5/16-1.5
9	10040500		LOCKWASHER
10	73220500		NUT.HEX.5/16-18
11	74760616		BOLT
12	10040600		LOCKWASHER
13	73220600		NUT.HEX.3/8-16UNC
14	74610616		BOLT
15	73610600		SUB= 7810H
16	19111214		WASHER
17	72140505		BOLT
18	72110508		BOLT CRT
19	72140506		BOLT



ROPER REAR TINE TILLER--MODEL NUMBER RT150AR

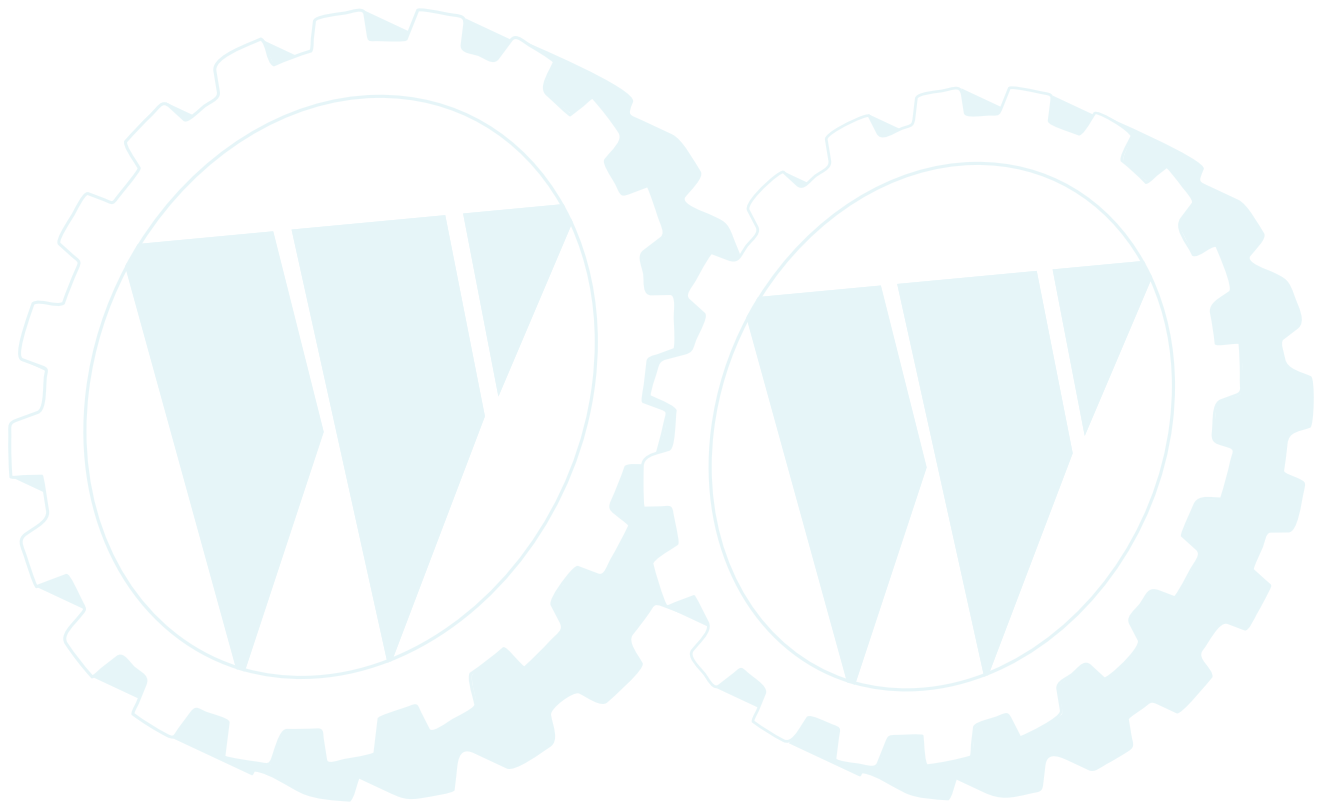
MAIN FRAME



Ref #	Part Number	Qty	Description
1	102142X		SUB= 130816
2	102376X		BRACKET ASSY CRT
3	130202		NLA
4	102697X		DECAL - 5HP
5	102166X		SUB= 110111X
6	1572H		SUB= 2882J
7	673H455		SUB= 8700J
8	102180X		DECAL CRT
9	73220600		NUT.HEX.3/8-16UNC
10	102173X		COUNTERWEIGHT CRT
10A	102383X		COUNTERWEIGHT CRT
11	102384X		BOLT CRT
12	102373X		SUB= 109228X
13	74930580		BOLT - HEX
14	102189X		SUB= 124258X
	102190X		TIRE.CHV.13X5.0-6
	795R		SUB= 65139
15	4497H		RETAINER M
16	102841X		SUB= 126875X
17	677H775		SUB= 6555J
18	102382X		TINE ASSY RH CRT
19	4929H		RIVET.PAN HD.1.75
20	3146R		RETAINER.SPRING
21	678H369		SUB= 6555J
22	102332X		BRACKET RH CRT
23	102331X		BRACKET LH CRT
25	104101X358		NLA
26	104085X358		SUB= 104085X505
28	102326X358		NLA
29	102155X		SUB= 124343X
30	102154X		SUB= 120588X
31	102701X		GRIP CRT
32	102156X		SUB= 102156X500
33	74930632		BOLT
35	104476X		NLA
36	4440J		HINGE CRT
37	102695X358		SHLD-LEVELING TI
39	8392J		LATCH BRACKET TI
40	12000036		KLIP RING TI
41	8394J		SPRING TI
42	102698X		DECAL - TINE SHIELD
43	8393J		STAKE PIN TI
44	104086X358		SUB= 104086X505
45	677H774		SUB= 6554J
46	102380X		TINE ASSY LH CRT
47	678H368		SUB= 6554J
48	102150X		NLA
49	1911116		WASHER
50	100473M		"SHEAVE 10"" CRT"
51	102148X358		SUB= 131159X428
52	102699X		NLA
53	102143X		SUB= 132672
54	2649M		KEY T
55	102149X		NLA
56	19131414		WASHER
57	73220500		NUT.HEX.5/16-18
58	102141X		SHIFT ARM CRT
59	102139X		SUB= 105611X

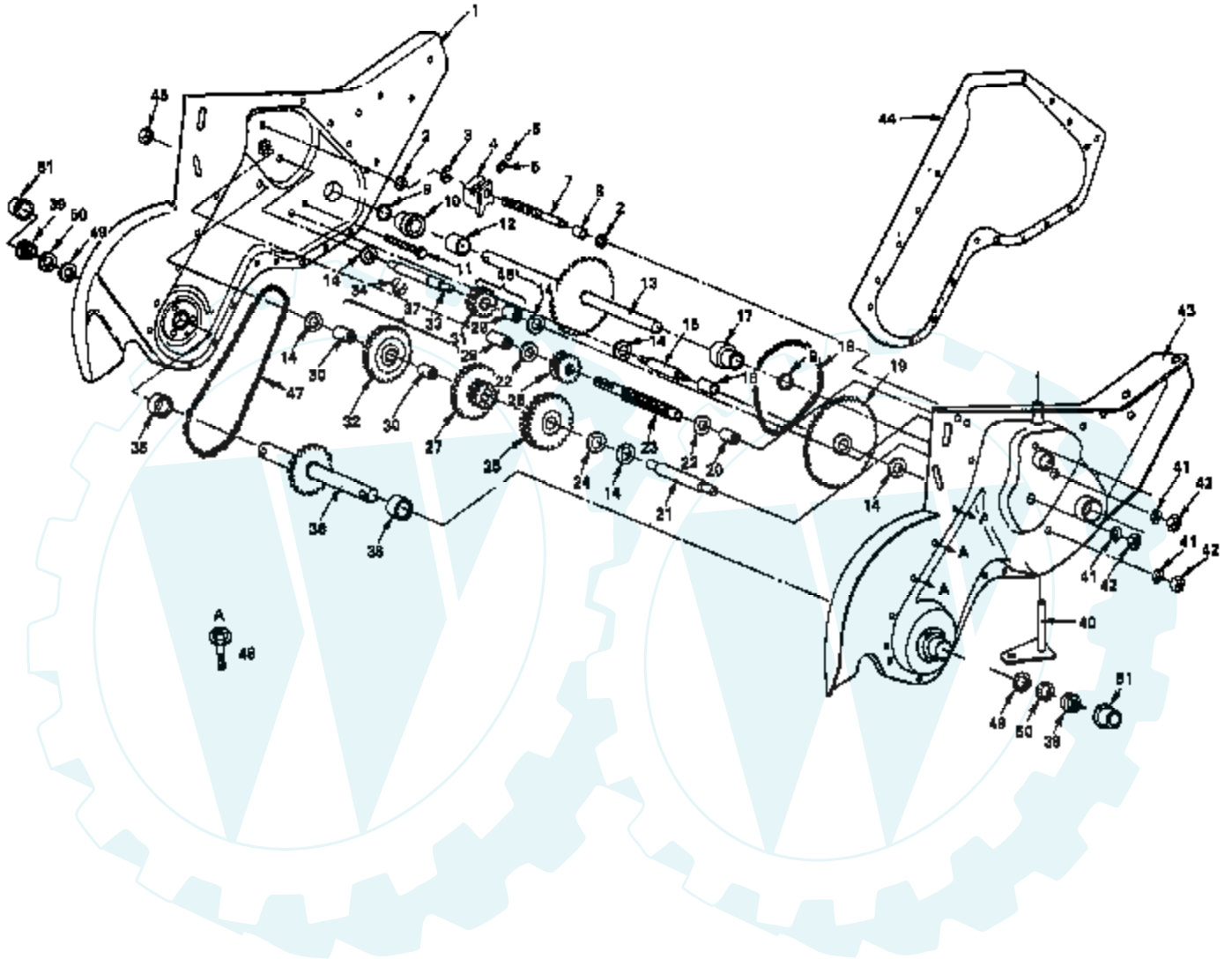


Ref #	Part Number	Qty	Description
60	9484R		CONDIUT CLIP T
61	12000032		KLIP RING
62	104679X		PULLEY-IDLER T1
	102694X		MANUAL - OWNER'S



ROPER REAR TINE TILLER--MODEL NUMBER RT160AR

TRANSMISSION



Ref #	Part Number	Qty	Description
	104894X		SUB= 155112
1	104895X		GEARCASE ASSY
2	102136X		WASHER SEAL CRT
3	12000039		KLIP RING
4	8353J		SHIFT FORK TI
5	100371K		SPRING-SHIFT CRT
6	7392M		SUB= 100482K
7	102109X		SHAFT SHIFT CRT
8	104159X		SPACER SPLIT CRT
9	102128X		O RING CRT
10	102100X		"CRT, BEARING"
11	102101X		SCRW WHIZ LOK CRT
12	8364J		SUB= 106390X
13	102124X		SUB= 109204X
14	4358J		WASHER
15	102112X		SHFT 2ND RED. CRT
16	102127X		SUB= 106388X
17	102106X		SUB= 918102106X
18	102134X		CHAIN CRT
19	102121X		SPRCKT 8 GEAR CRT
20	4895H		"TI, BEARING"
21	8358J		REDUCTION SHFT TI
22	1370H		"T, BEARING"
23	4220R		BRNG RACE
25	102120X		SUB= 131527
26	102113X		PINION-INPUT CRT
27	8546J		CLUSTER GEAR TI
28	5020J		NEEDLE BRNG LT
29	6803J		NEEDLE BEARING TI
30	4422J		BEARING
31	102115X		GEAR-REV IDLR CRT
32	102117X		SPROCKET ASSY
33	102111X		SHAFT CRT
34	12000040		KLIP RING
35	102129X		NLA
36	102131X		NLA
37	102116X		NLA
38	102130X		SUB= 106146X
39	102144X		RING SPIRAL CRT
40	102107X		ARM ASSY CRT
41	10040700		LOCKWASHER
42	73610700		NUT.ASF.HEX.7/16
43	104896X		NLA
44	102137X		SUB= 106211X
45	73220500		NUT.HEX.5/16-18
46	102114X		GEAR ASSY CRT
47	102135X		NLA
48	17580408		SCREW CRT
49	9674R		SUB= 147344
50	9676R		SUB= 147344
51	9672R		CUP.FORMED.
	6066J		GREASE PREMIUM-1