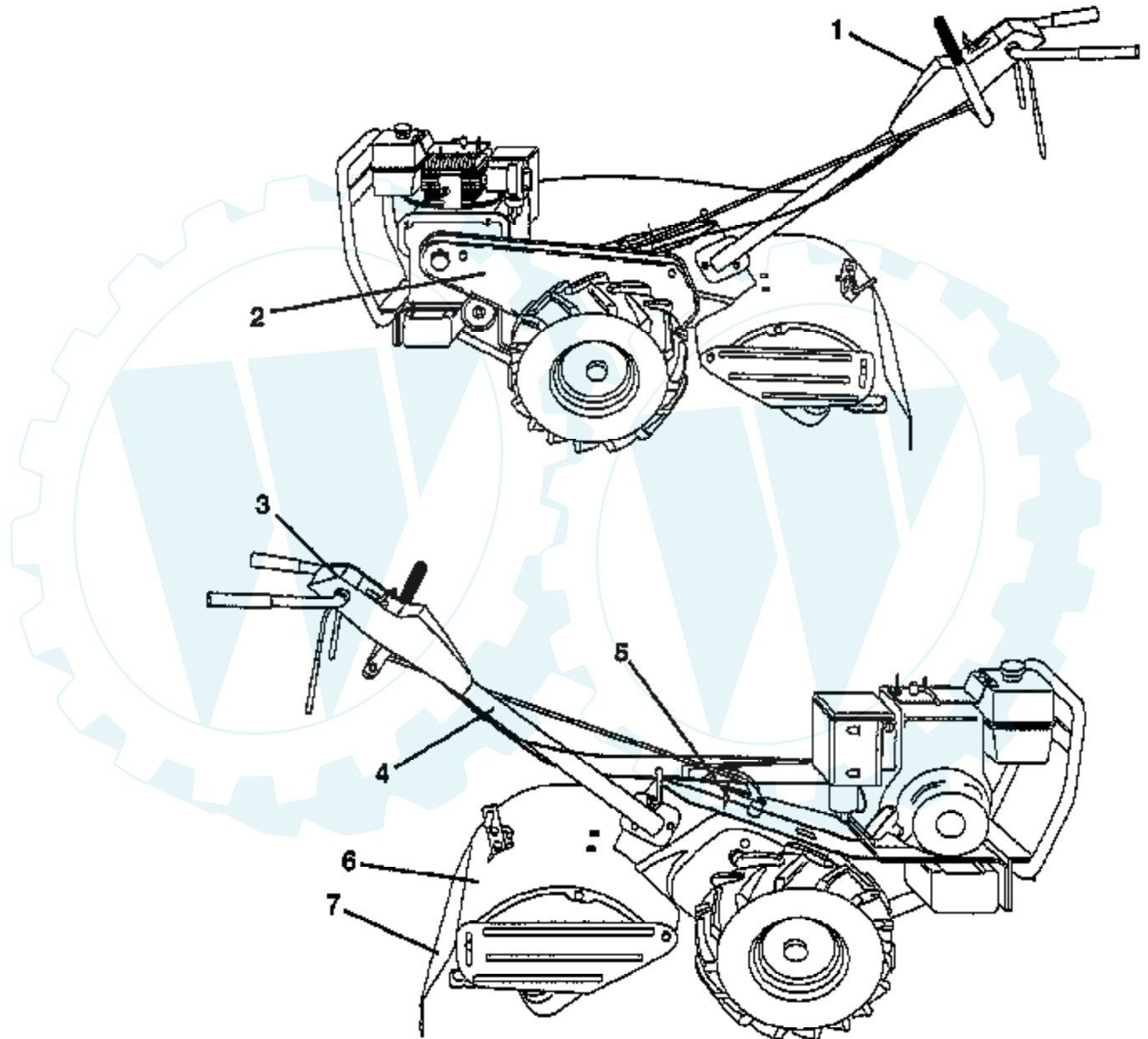


TILLER - - MODEL NO. RKRT9A

DECALS

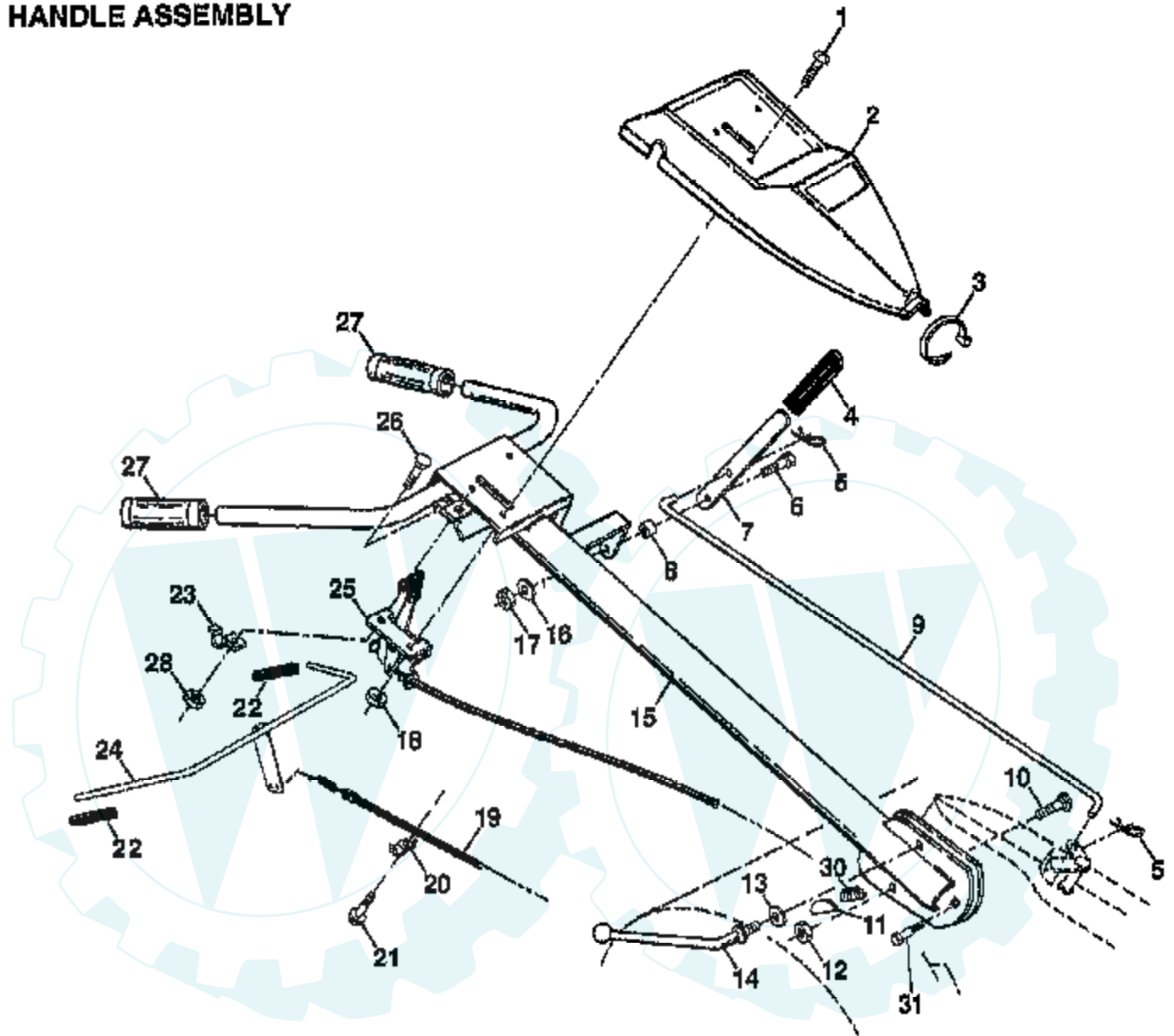


Ref #	Part Number	Qty	Description
1	168503		DECAL, LOGO
2	168504		DECAL.BELT.GRD.9HP
3	139385		DECAL INST PNL 21
4	110614X		DECAL TI
5	138546		DECAL.SHIFT.IND.
6	162384		DECAL.CAUTION
7	120076X		SUB= 120075X
	168292		MANUAL.O.RKRT9A.E
	168293		MANUAL, OWNER'S (FRENCH)



TILLER - - MODEL NUMBER RKRT9A

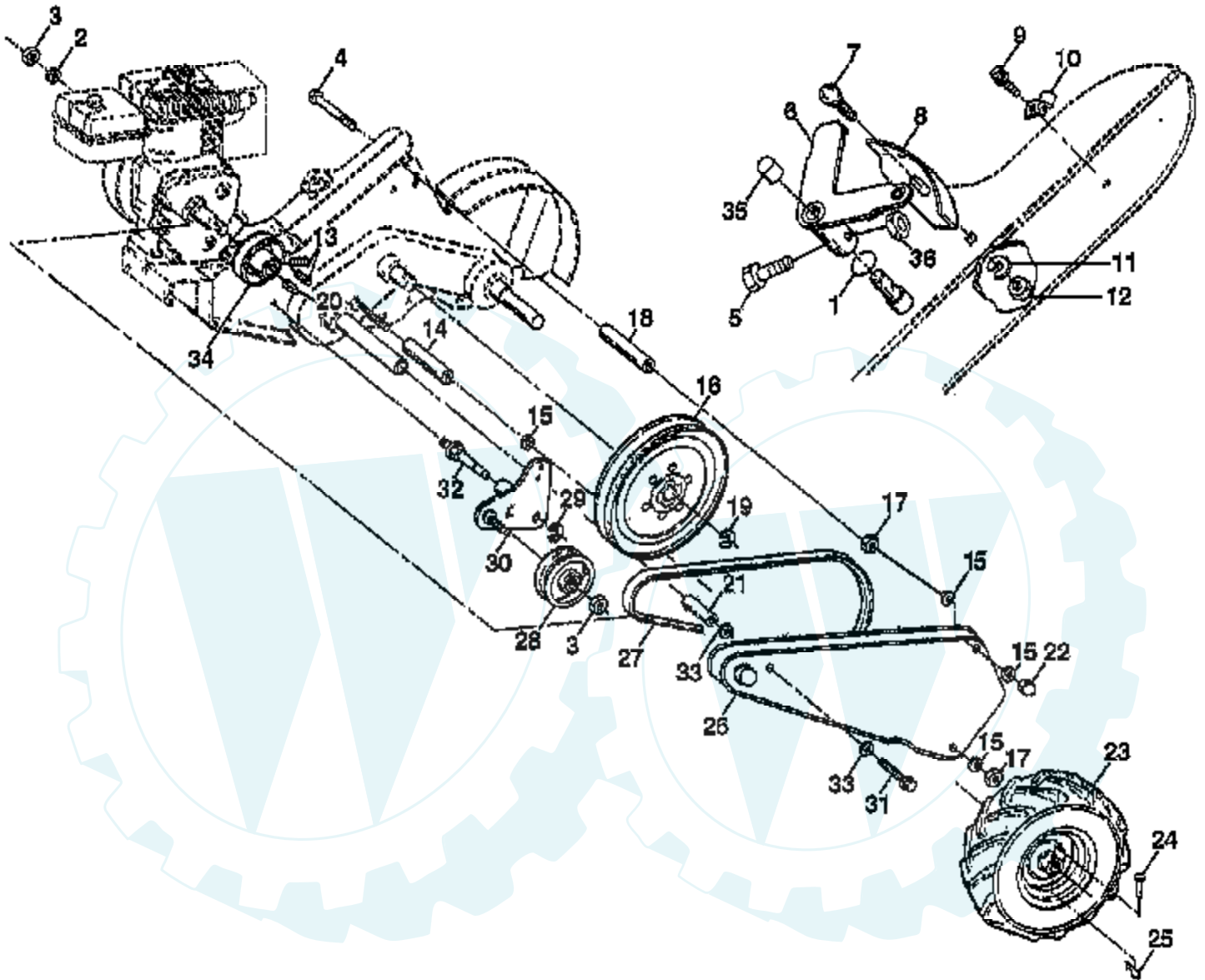
HANDLE ASSEMBLY



Ref #	Part Number	Qty	Description
1	71191008		SCREW.PNHD.10-24
2	126956X		PANEL.CONTROL
3	104164X		TIE CABLE CRT
4			unknown
5	4497H		RETAINER M
6	81328		SHOULDER BOLT ST
7	109335X		SHIFT HANDLE CRT
8	109313X		GROMMET CRT
9	138400		ROD.SHIFT
10	72110608		BOLT D
11	109229X		LOCK CRT
12	73930600		LOCKNUT
13	19131611		WASHER CRT
14	109228X		LEVER LOCK CRT
15	151596X428		HANDLE.ASM.PNT
16	10040400		LOCKWASHER
17	73220400		SUB= 50675
18	73731000		NUT
19	159607		CABLE.CLUTCH
20	9484R		CONDIUT CLIP T
21	86777		SUB= 750097
22	102604X		GRIP BAR CRT
23	102744X		SUB= 102744X431
24	159228		BAR ASM CONTROL
25	138305		CONTROL.THROTTLE
26	72140404		BOLT
27	9266R		SUB= 624A78
28	138283		LOCK.HANDLE
29	150696		BOLT PIVOT
30	73510400		NUT

TILLER -- MODEL NO. RKRT9A

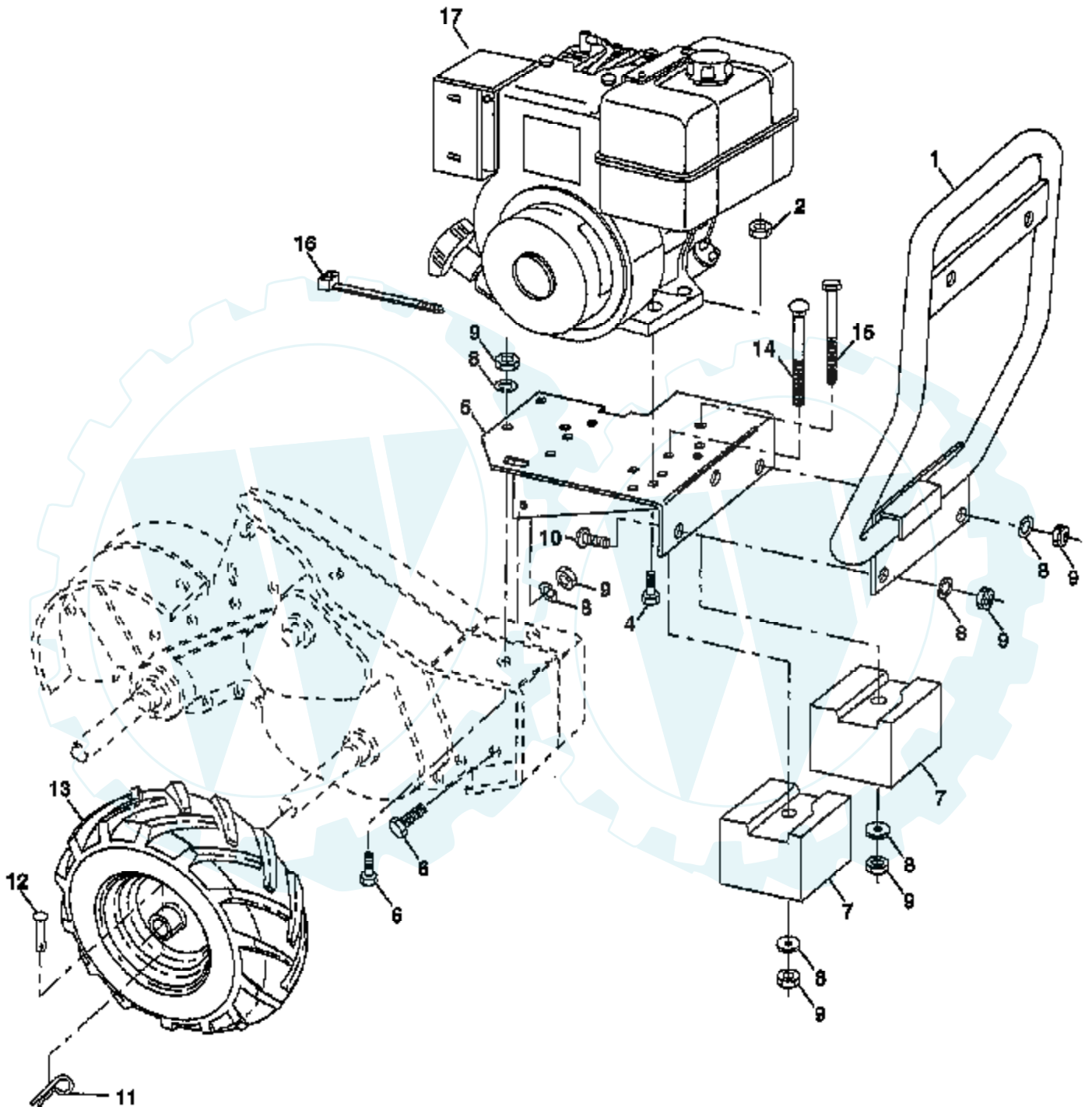
MAINFRAME, LEFT SIDE



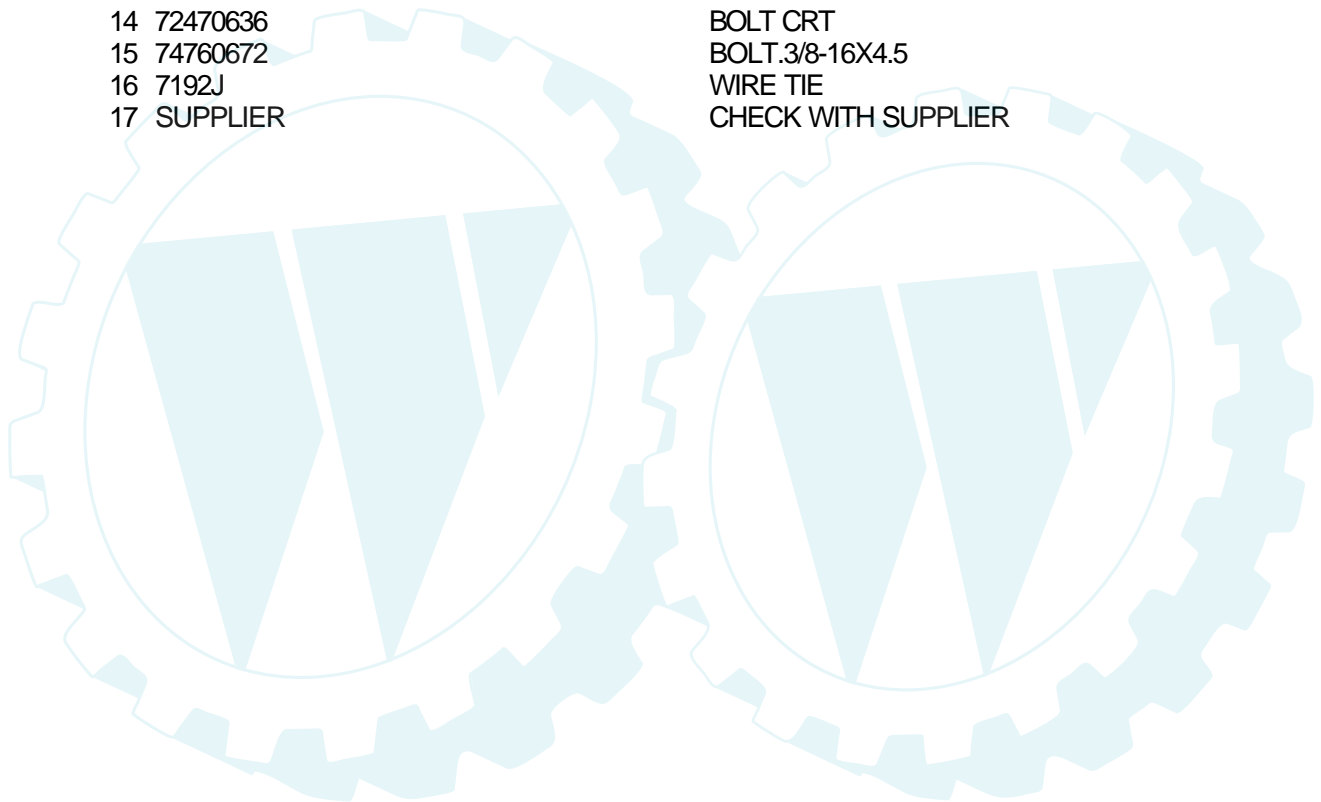
Ref #	Part Number	Qty	Description
1	106160X		O-RING TI
2	10040600		LOCKWASHER
3	73220600		NUT.HEX.3/8-16UNC
4	74930572		BOLT TI
5	154734		"SCREW-LEVER,SHI"
6	110111X		LEVER ASM CRT
7	72110404		BOLT
8	8700J		PANEL TI
9	86777		SUB= 750097
10	9484R		CONDIUT CLIP T
11	10040400		LOCKWASHER
12	73220400		SUB= 50675
13	23230506		SET SCREW
14	8382J		SPACER TI
15	19111116		WASHER
16	145102		SHEAVE.TRANS.
17	73220500		NUT.HEX.5/16-18
18	8381J		SPACER TI
19	12000028		SUB= 2267J
20	4914H		KEY TI
21	139155		SPACER.SPLIT
22	104214X		NUT TI
23	5015J		TIRE TI
23	138417		RIM.16X4X8.WHT
23	795R		SUB= 65139
24	4929H		RIVET.PAN HD.1.75
25	4921H		SPRING.RETAINER
26	102818X428		GUARD BELT
27	138399		BELT.DRIVE
28	104679X		PULLEY-IDLER TI
29	12000032		KLIP RING
30	159229		BRACKET ASM IDLER
31	74770844		BOLT1/2-20UNF2.75
32	139401		SHAFT.IDLER
33	19171616		WASHER
34	4368J		SHEAVE CRT
35	140062		CAP PLUNGER BLACK
36	69180		LOCKNUT

TILLER - - MODEL NO. RKRT9A

MAINFRAME, RIGHT SIDE

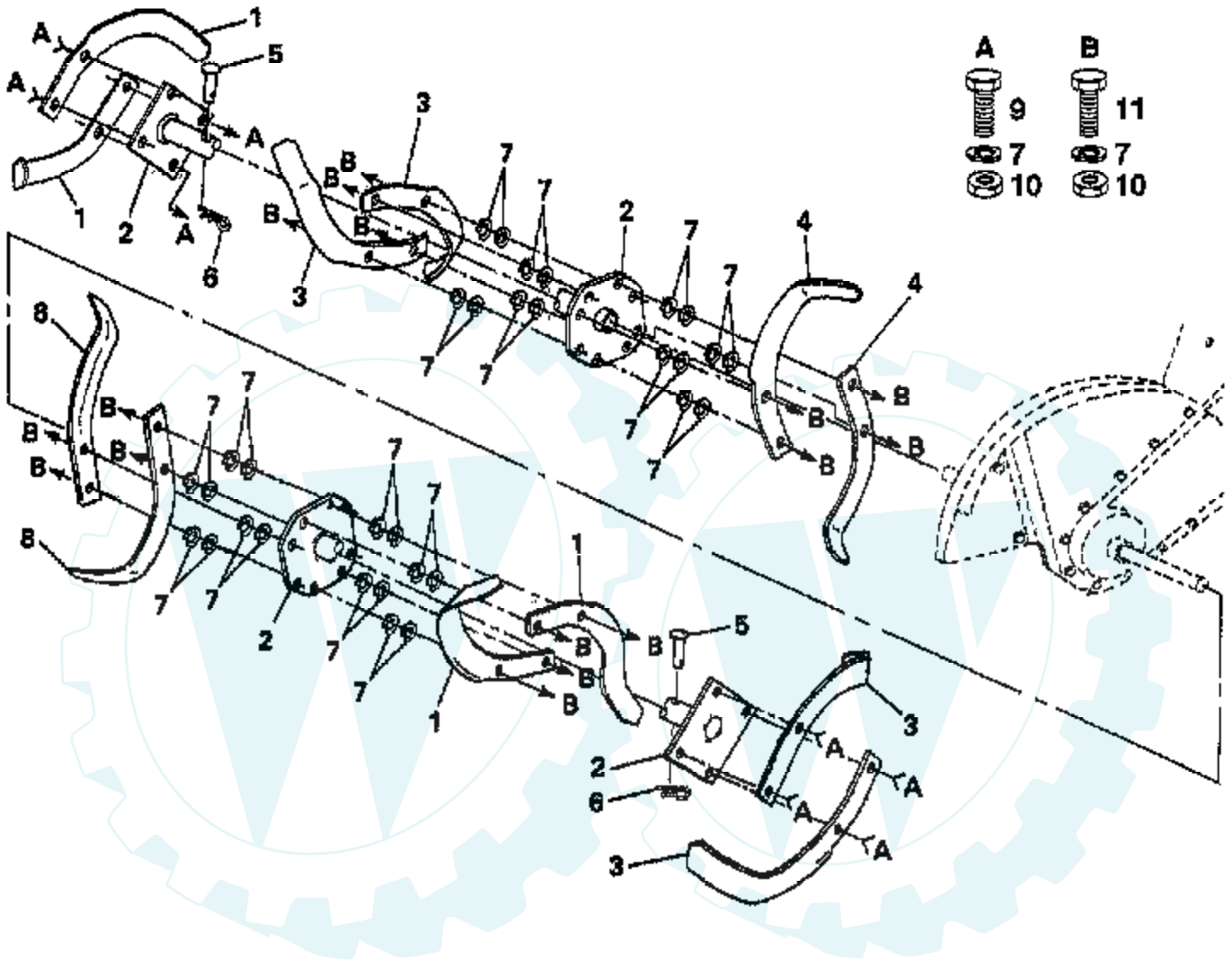


Ref #	Part Number	Qty	Description
1	138402		BUMPER.ASM
2	73510500		NUT
4	74760528		BOLT
5	138669		"ASM. ENGINE, BASE"
6	74760616		BOLT
7	8450J		COUNTERWEIGHT CRT
8	10040600		LOCKWASHER
9	73220600		NUT.HEX.3/8-16UNC
10	72140608		SUB= 72110608
11	4921H		SPRING.RETAINER
12	4929H		RIVET.PAN HD.1.75
13	5015J		TIRE TI
13	138417		RIM.16X4X8.WHT
13	795R		SUB= 65139
14	72470636		BOLT CRT
15	74760672		BOLT.3/8-16X4.5
16	7192J		WIRE TIE
17	SUPPLIER		CHECK WITH SUPPLIER



TILLER - - MODEL NO. RKRT9A

TINE ASSEMBLY

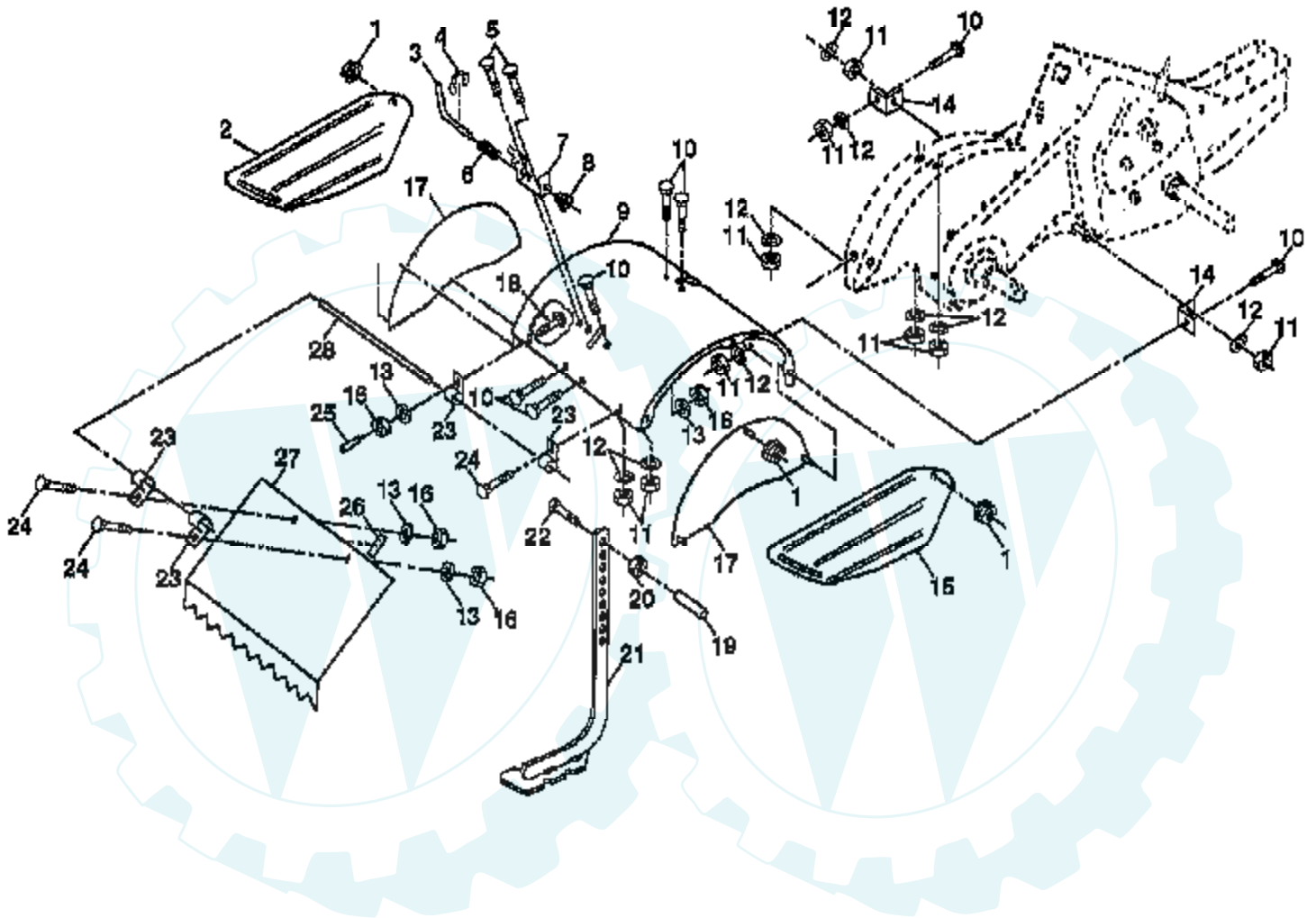


Ref #	Part Number	Qty	Description
1	6556J		SUB= 101194M
2	100445L		TINE ASSY CRT
3	6557J		SUB= 101193M
4	101194M		TINE.LH.CRT
5	4929H		RIVET.PAN HD.1.75
6	163552		RETAINER SPRING
7	10040600		LOCKWASHER
8	101193M		TINE RH CRT
9	74610616		BOLT
10	73610600		SUB= 7810H
11	74610624		BOLT.3/8-24X1-1/2

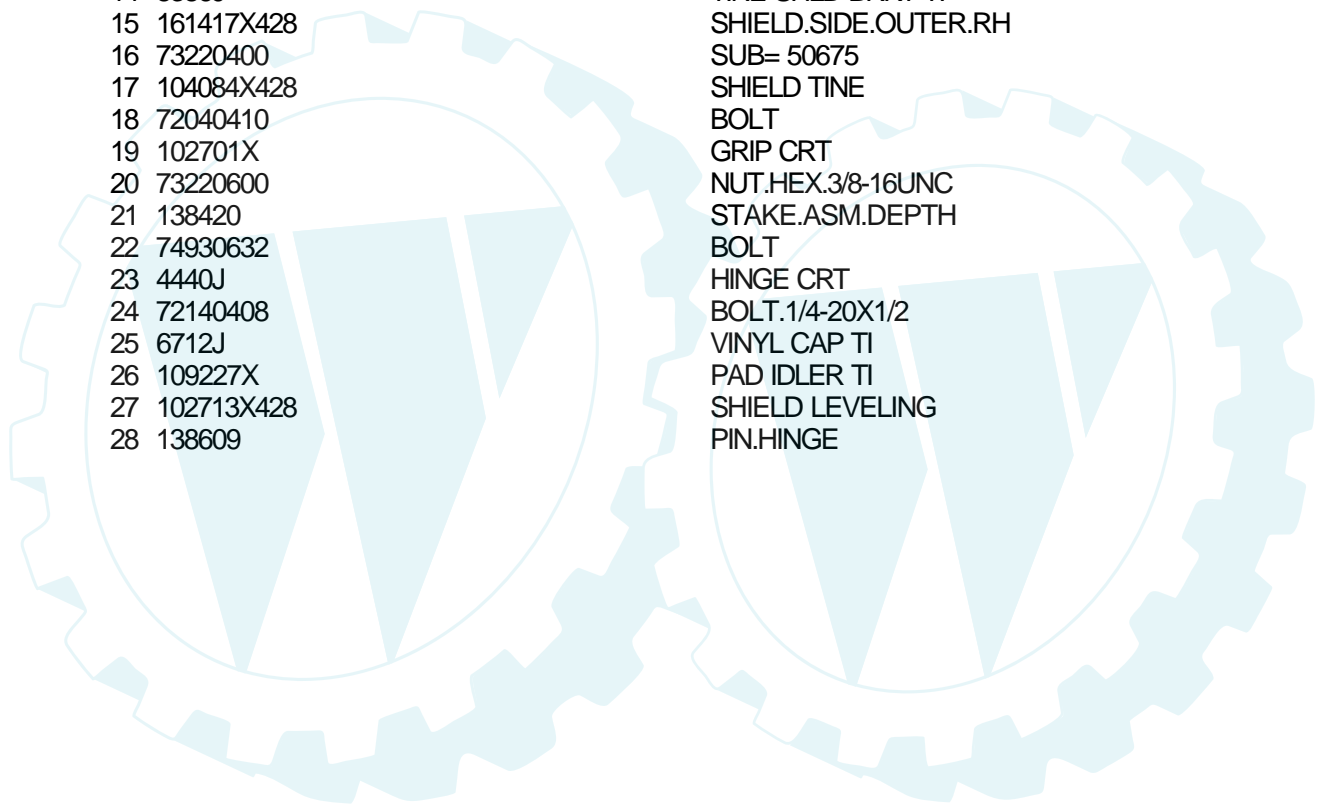


TILLER - - MODEL NO. RKRT9A

TINE SHIELD

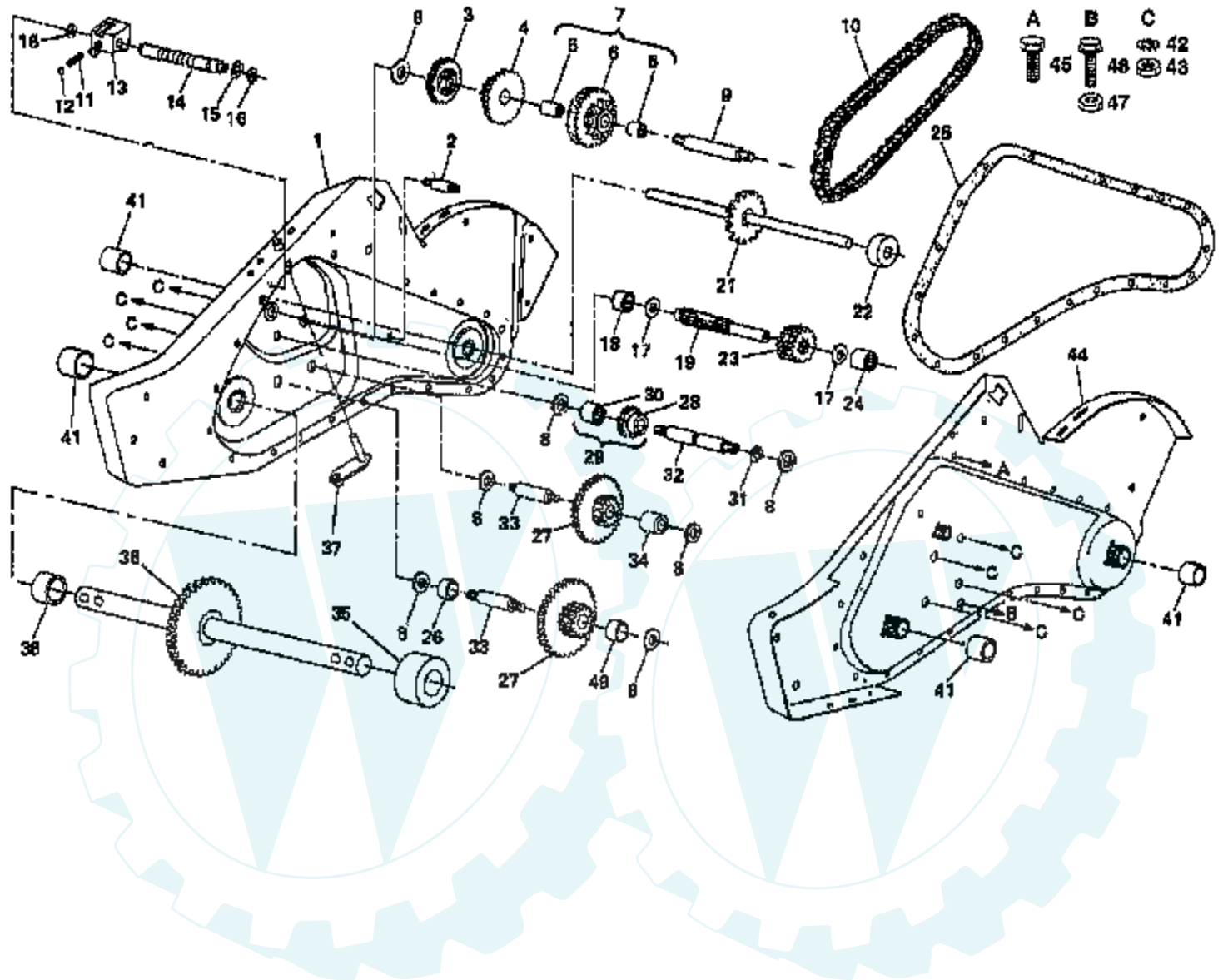


Ref #	Part Number	Qty	Description
1	98000129		NUT
2	161416X428		SHIELD.SIDE.OUTER.LH
3	8393J		STAKE PIN TI
4	12000036		KLIP RING TI
5	72140508		BOLT
6	8394J		SPRING TI
7	8392J		LATCH BRACKET TI
8	109230X		SPRING CRT
9	104178X428		SHIELD TINE
10	72140506		BOLT
11	73220500		NUT.HEX.5/16-18
12	10040500		LOCKWASHER
13	10040400		LOCKWASHER
14	8386J		TINE SHLD BRKT TI
15	161417X428		SHIELD.SIDE.OUTER.RH
16	73220400		SUB= 50675
17	104084X428		SHIELD TINE
18	72040410		BOLT
19	102701X		GRIP CRT
20	73220600		NUT.HEX.3/8-16UNC
21	138420		STAKE.ASM.DEPTH
22	74930632		BOLT
23	4440J		HINGE CRT
24	72140408		BOLT.1/4-20X1/2
25	6712J		VINYL CAP TI
26	109227X		PAD IDLER TI
27	102713X428		SHIELD LEVELING
28	138609		PIN.HINGE



TILLER - - MODEL NO. RKRT9A

TRANSMISSION



Ref #	Part Number	Qty	Description
1	162163		SUB= 162170
2	8370J		BOLT TI
3	8547J		REVERSE GEAR TI
4	8546J		CLUSTER GEAR TI
5	100413K		"CRT, BEARING"
6	674A291		SUB= 674A290
7	674A290		SPROCKET ASSY TI
8	4358J		WASHER
9	8358J		REDUCTION SHFT TI
10	8371J		CHAIN TI
11	100371K		SPRING-SHIFT CRT
12	7392M		SUB= 100482K
13	8353J		SHIFT FORK TI
14	8354J		SHIFT SHAFT TI
15	12000039		KLIP RING
16	154467		WASHER SEAL
17	1370H		"T, BEARING"
18	4895H		"TI, BEARING"
19	150695		SHAFT INPUT
21	105378X		SHAFT TINE CRT
22	106181X		SPACER CRT
23	8359J		INPUT PINION TI
24	5020J		NEEDLE BRNG LT
25	164396		GASKET.GEARCASE
26	106389X		SPACER CRT
27	100433M		GEAR CLUSTER CRT
28	8357J		REVERSE GEAR TI
29	674A289		GEAR ASSY TI
30	6803J		NEEDLE BEARING TI
31	12000040		KLIP RING
32	8356J		REVERSE SHAFT TI
33	100016K		SHAFT CRT
34	106392X		SPACER CRT
35	106394X		SPACER CRT
36	100436L		SHAFT ASSY CRT
37	142145		BRACKET ASM SHIFT
38	106393X		SPACER CRT
41	155236		SEAL ASM-OIL
42	10040700		LOCKWASHER
43	73610700		NUT.ASF.HEX.7/16
44	162165		"GEARCASE ASSY,LH"
45	17720510		SCREW 5/16-18X5/8
47	73220500		NUT.HEX.5/16-18
48	100107K		BOLT TI
49	106391X		SPACER CRT
	6066J		GREASE PREMIUM-1
	162169		SUB= 165806
	162170		KIT.GEARCASE L&RH