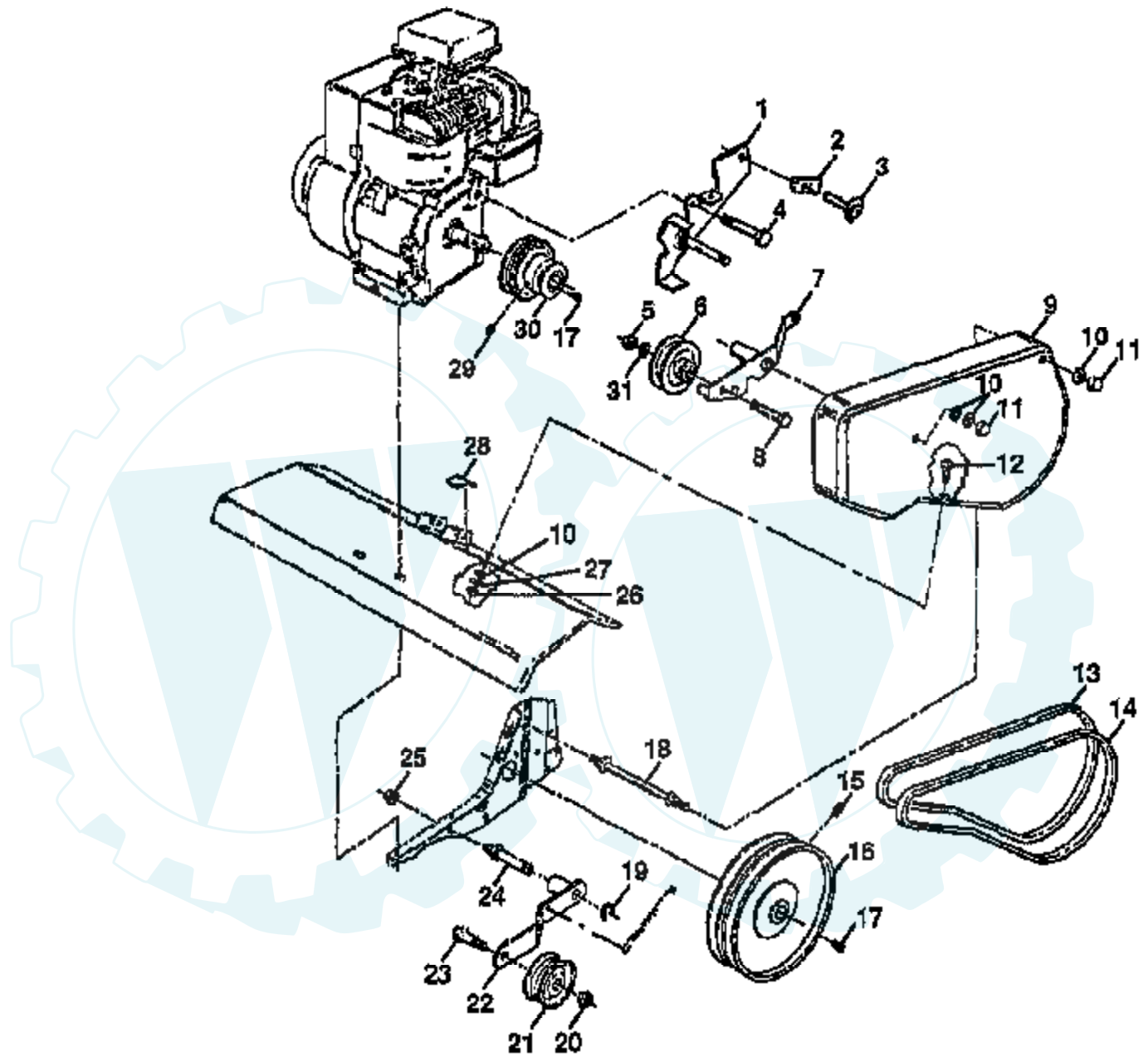


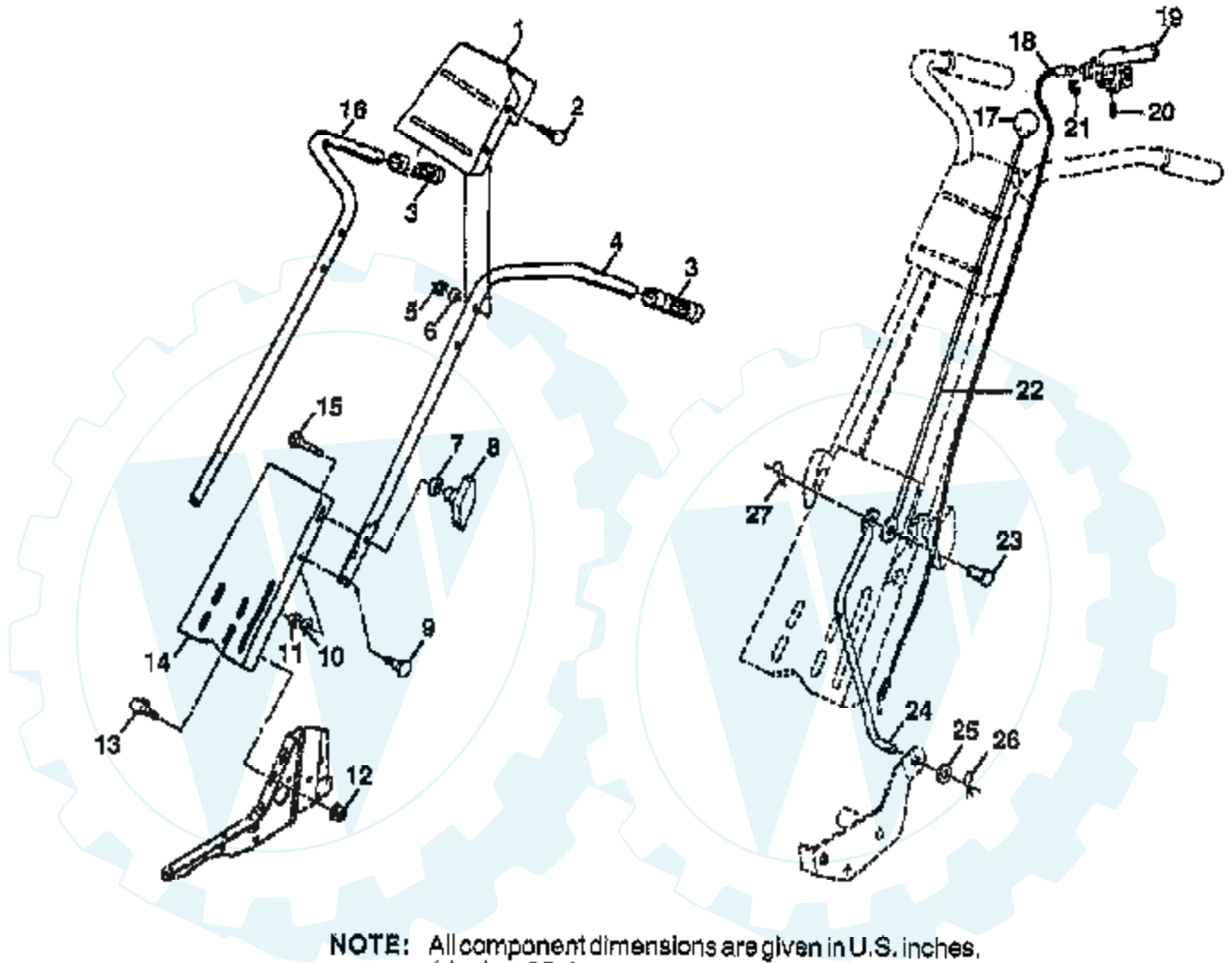
5 HP 26" TILLER - - MODEL NUMBER RD550C BELT GUARD AND PULLEY ASSEMBLY



NOTE: All component dimensions given in U.S. inches.
1 inch = 25.4 mm

| Ref # | Part Number | Qty | Description |
|-------|-------------|-----|-------------------|
| 1 | 123643X | | SUB= 159268 |
| 2 | 9484R | | CONDIUT CLIP T |
| 3 | 86777 | | SUB= 750097 |
| 4 | 74770812 | | SCREW |
| 5 | 73220600 | | NUT.HEX.3/8-16UNC |
| 6 | 2009J | | PULLEY W/SPACER |
| 7 | 127180X | | ARM.ASM.REV.IDLER |
| 8 | 74760624 | | SUB= 74930624 |
| 9 | 106970X419 | | SUB= 106970X366 |
| 10 | 19091016 | | WASHER |
| 11 | 104213X | | NUT-CAP TI |
| 12 | 72140405 | | BOLT T |
| 13 | 133035 | | BELT-V |
| 14 | 2614J | | SUB= TH3H440 |
| 15 | 23230506 | | SET SCREW |
| 16 | 2607J | | SHEAVE TI |
| 17 | 2649M | | KEY T |
| 18 | 110550X | | BOLT TI |
| 19 | 12000036 | | KLIP RING TI |
| 20 | 73350600 | | NUT |
| 21 | 9178R | | SUB= 75673 |
| 22 | 674A30 | | IDLER ARM TI |
| 23 | 74760620 | | SUB= 74780620 |
| 24 | 106968X | | SHAFT IDLER TI |
| 25 | 73350500 | | JAM NUT TI |
| 26 | 73220400 | | SUB= 50675 |
| 27 | 10040400 | | LOCKWASHER |
| 28 | 109227X | | PAD IDLER TI |
| 29 | 23200404 | | SET SCREW |
| 30 | 101189L | | ENGINE PULLEY TI |
| 31 | 19131316 | | WASHER |
| | 128212 | | DECAL.BELT.GUAR |

5 HP 26" TILLER - - MODEL NUMBER RD550C HANDLE ASSEMBLY

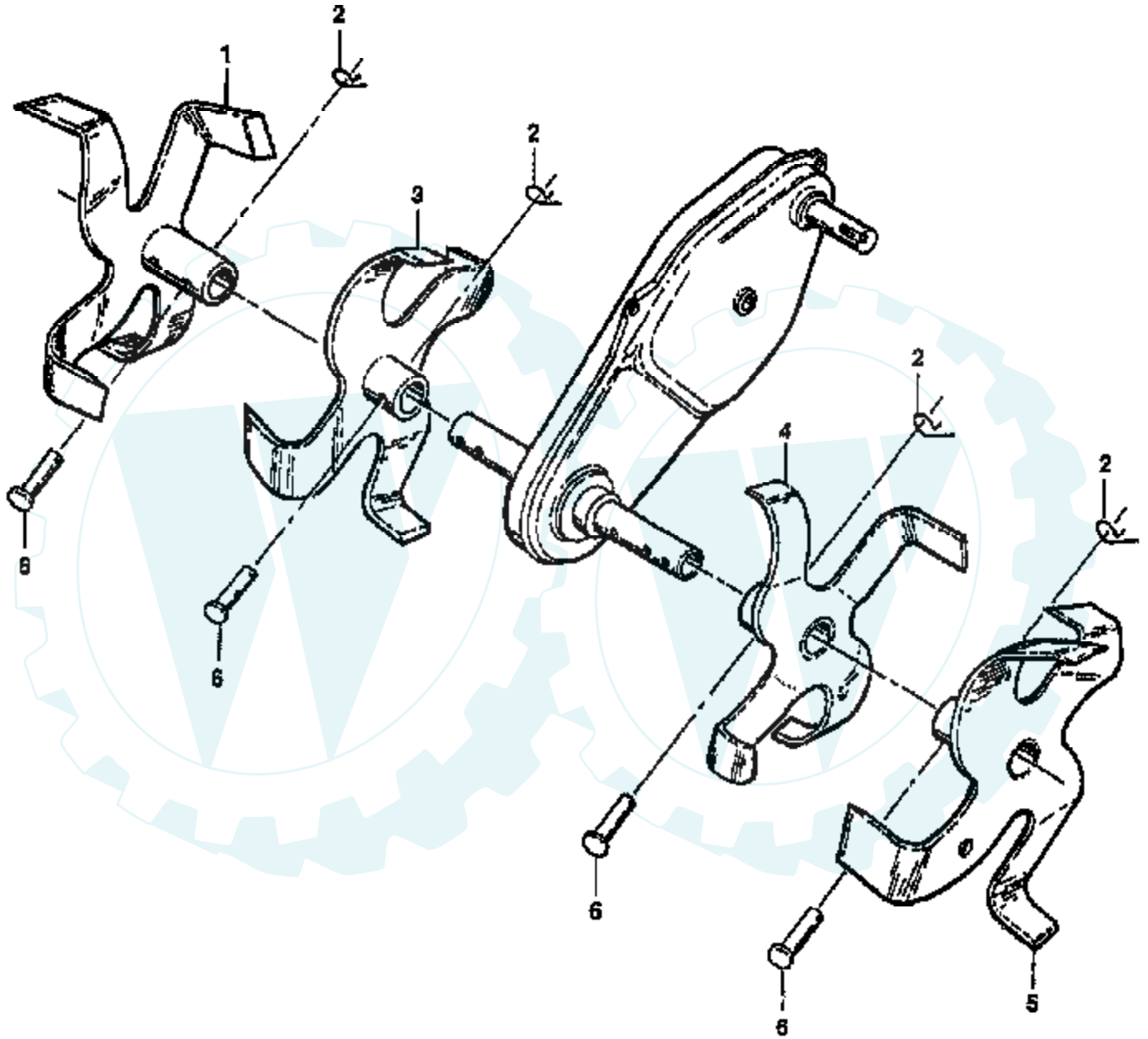


NOTE: All component dimensions are given in U.S. inches.
1 Inch = 25.4 mm

| Ref # | Part Number | Qty | Description |
|-------|-------------|-----|---------------------------|
| 1 | 131268X419 | | HANDLE BRACKET |
| 2 | 72140512 | | BOLT |
| 3 | 9266R | | SUB= 624A78 |
| 4 | 2623J | | SUB= 2623J500 |
| 5 | 73680500 | | SUB= 73690500 |
| 6 | 19111116 | | WASHER |
| 7 | 19121414 | | WASHER |
| 8 | 63688 | | SUB= 136376 |
| 9 | 471J | | BOLT CT |
| 10 | 10040500 | | LOCKWASHER |
| 11 | 73220500 | | NUT.HEX.5/16-18 |
| 12 | 98000129 | | NUT |
| 13 | 72140506 | | BOLT |
| 14 | 674A150419 | | SUB= 674A150366 |
| 15 | 72110510 | | BOLT |
| 16 | 2624J | | SUB= 2624J500 |
| 17 | 106932X | | KNOB T(3/8 HOLE) |
| 18 | 3066J | | CABLE CLUTCH T |
| 19 | 2635J | | CONTROL LEVER TI |
| 20 | 23200405 | | SCREW |
| 21 | 12000027 | | E-RING |
| 22 | 101248K | | ROD REVERSE TI |
| 23 | 1778E | | RIVET.RD.HD.DRILL |
| 24 | 2613J | | REVERSE ROD TI |
| 25 | 19131316 | | WASHER |
| 26 | 76020412 | | COTTER PIN |
| 27 | 76020308 | | SUB= 3145 |
| | 121753X | | DECAL REVERSE |
| | 110614X | | DECAL TI |
| | 132629 | | DECAL HANDLE BRKT |
| | 132234 | | MANUAL OPERATOR'S ENGLISH |
| | 132235 | | MANUAL OPERATOR'S FRENCH |

5 HP 26" TILLER - - MODEL NUMBER RD550C

TINE ASSEMBLY

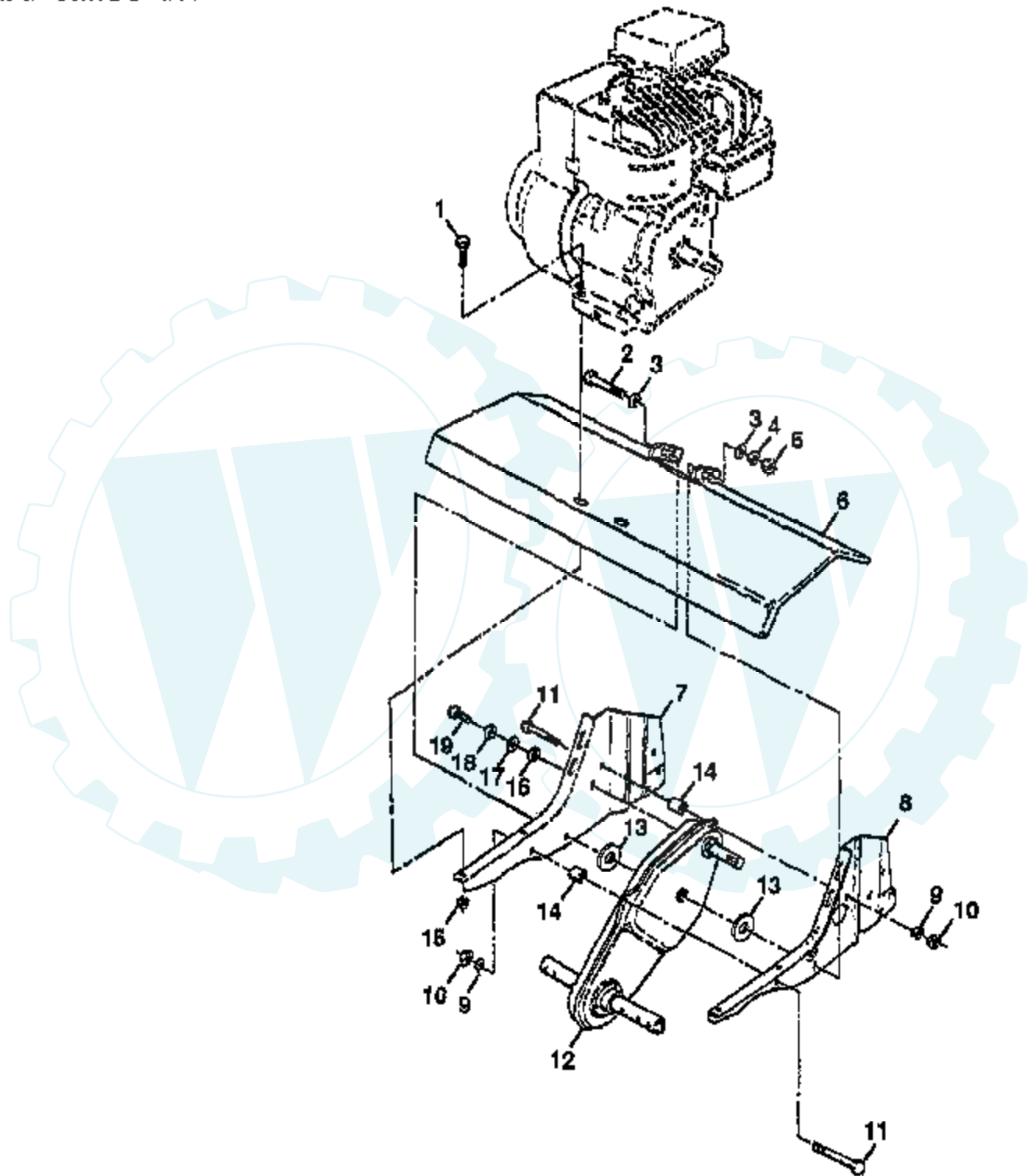


| Ref # | Part Number | Qty | Description |
|-------|-------------|-----|-------------------|
| 1 | 100746M | | TINE WELDMENT TI |
| 2 | 3146R | | RETAINER.SPRING |
| 3 | 674A43 | | TINE TI |
| 4 | 674A42 | | TINE TI |
| 5 | 100744M | | TINE WELDMENT TI |
| 6 | 4929H | | RIVET.PAN HD.1.75 |



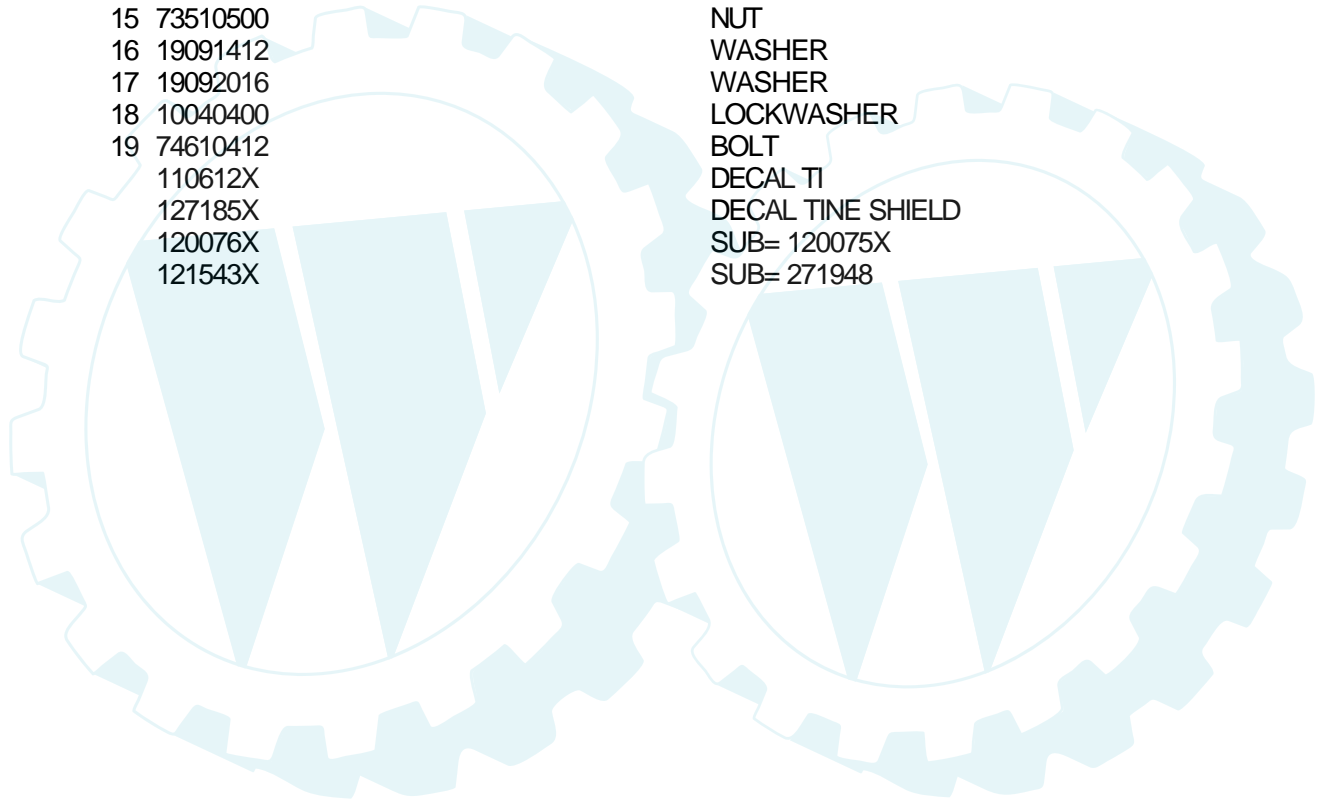
5 HP 26" TILLER - - MODEL NUMBER RD550C

TRANSMISSION



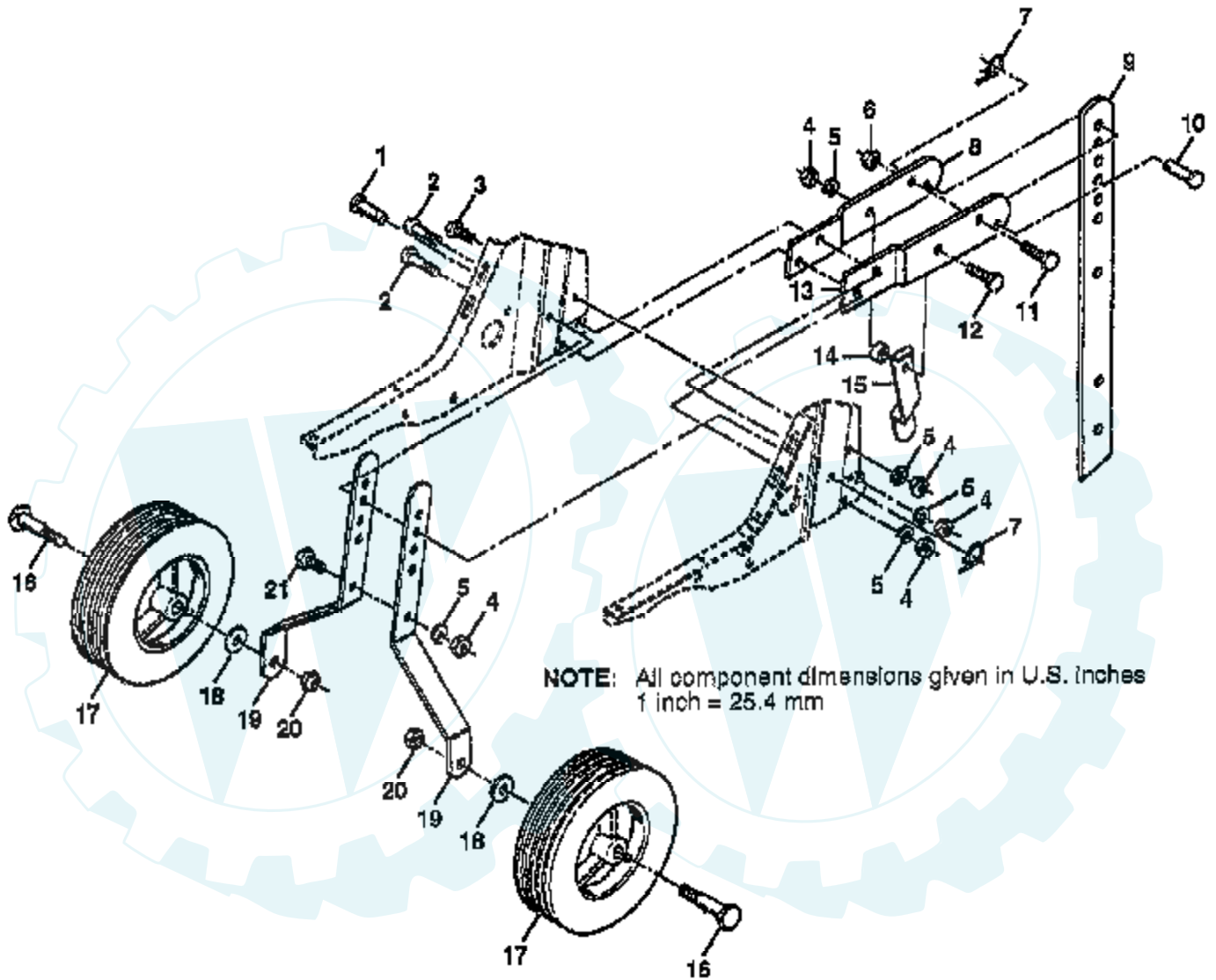
NOTE: All component dimensions given in U.S. inches.
1 inch = 25.4 mm

| Ref # | Part Number | Qty | Description |
|-------|-------------|-----|-------------------|
| 1 | 74760524 | | BOLT.HEX.5/16-1.5 |
| 2 | 74610652 | | BOLT.3/8-24X3.75 |
| 3 | 19131311 | | WASHER |
| 4 | 10040600 | | LOCKWASHER |
| 5 | 7810H | | GRIPCO NUT |
| 6 | 9057R419 | | SUB= 9057R366 |
| 7 | 1949J | | SUB= 1949J500 |
| 8 | 110519X | | BRACKET.ENG.LH. |
| 9 | 10040500 | | LOCKWASHER |
| 10 | 73220500 | | NUT.HEX.5/16-18 |
| 11 | 74760544 | | SUB= 74780544 |
| 12 | 126669X | | SUB= 532126669 |
| 13 | 19171616 | | WASHER |
| 14 | 9173R | | SPLIT SPACER RT |
| 15 | 73510500 | | NUT |
| 16 | 19091412 | | WASHER |
| 17 | 19092016 | | WASHER |
| 18 | 10040400 | | LOCKWASHER |
| 19 | 74610412 | | BOLT |
| | 110612X | | DECAL TI |
| | 127185X | | DECAL TINE SHIELD |
| | 120076X | | SUB= 120075X |
| | 121543X | | SUB= 271948 |



5 HP 26" TILLER - - MODEL NUMBER RD550C

WHEEL AND DEPTH STAKE ASSEMBLY



| Ref # | Part Number | Qty | Description |
|-------|-------------|-----|-------------------|
| 1 | 9194R | | DRILLED RIVET RT |
| 2 | 74760520 | | BOLT |
| 3 | 74760512 | | BOLT |
| 4 | 73220500 | | NUT.HEX.5/16-18 |
| 5 | 10040500 | | LOCKWASHER |
| 6 | 7810H | | GRIPCO NUT |
| 7 | 4921H | | SPRING.RETAINER |
| 8 | 1952J | | SUB= 1952J500 |
| 9 | 122233X | | SUB= 2582J |
| 10 | 326J | | SUB= 4929H |
| 11 | 74610624 | | BOLT.3/8-24X1-1/2 |
| 12 | 74760524 | | BOLT.HEX.5/16-1.5 |
| 13 | 1951J | | SUB= 1951J500 |
| 14 | 120958X | | WASHER |
| 15 | 5388J | | STAKE SPRING TI |
| 16 | 121117X | | BOLT SHOULDER |
| 17 | 9188R | | SUB= 107644X |
| 18 | 19131311 | | WASHER |
| 19 | 9190R | | SUB= 9190R500 |
| 20 | 73680600 | | SUB= 73690600 |
| 21 | 74760516 | | SUB= 77394 |

