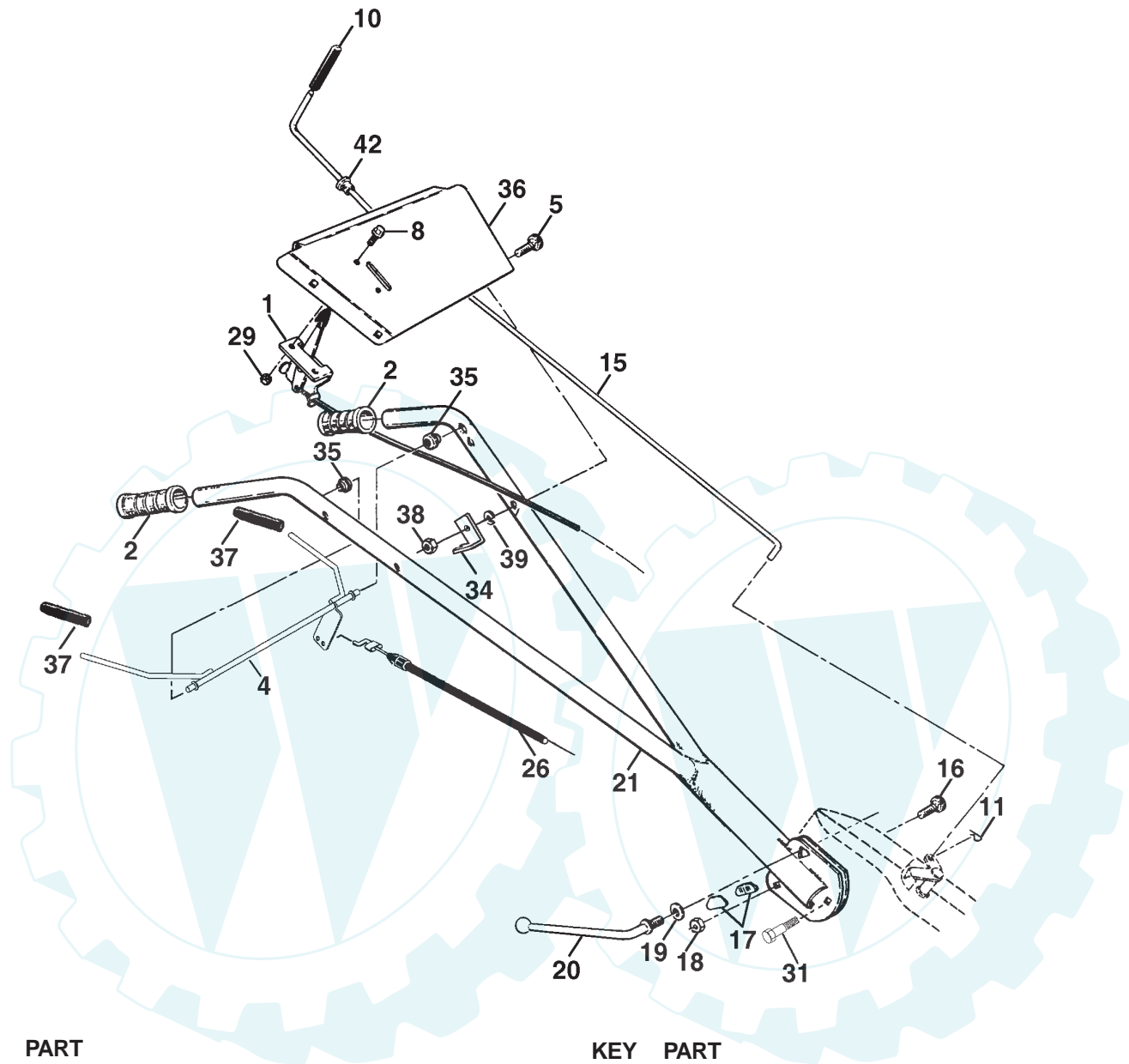


TILLER - - MODEL NUMBER QRT5A

HANDLE ASSEMBLY



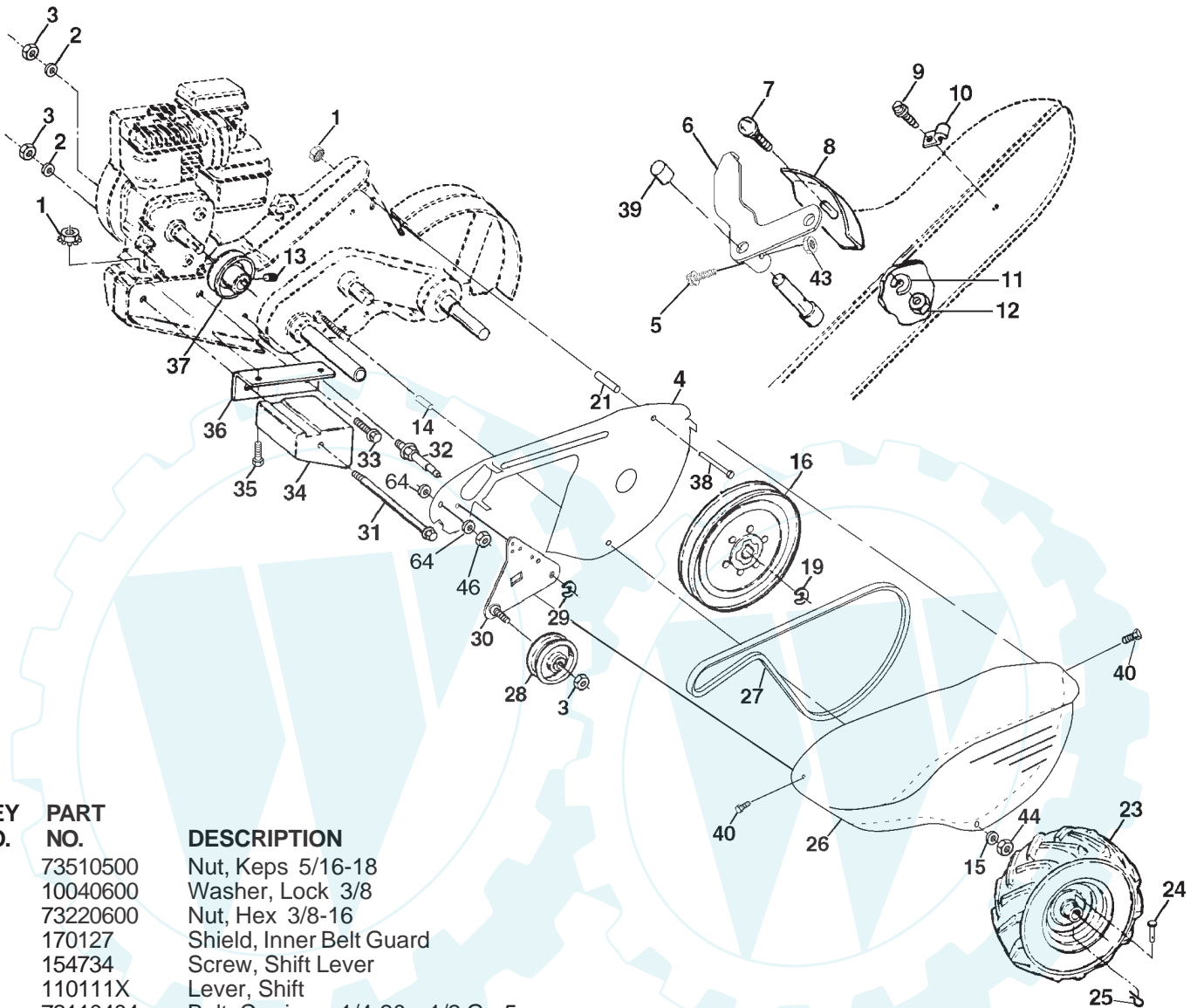
KEY NO.	PART NO.	DESCRIPTION
1	127012X	Control, Throttle
2	150744	Grip, Handle
4	159227	Bar, Control
5	72110514	Bolt, Carriage 5/16-18 x 1-3/4
8	71191008	Screw, Pan Hd. #10-24
10	8389J	Grip, Handle
11	4497H	Clip, Hairpin
15	108281X	Rod, Shift
16	72110608	Bolt, Carriage 3/8-16 x 1 Gr. 5
17	109229X	Lock, Handle
18	73680600	Nut Crownlock 3/8-16 UNC
19	19131611	Washer 13/32 x 1 x 11 Ga.
20	109228X	Lever, Lock, Handle
21	150217	Handle

KEY NO.	PART NO.	DESCRIPTION
26	159232	Cable, Clutch
29	73731000	Nut, Keps #10-24 UNC
31	150696	Bolt, Pivot
34	145821	Bracket, Clutch Cable
35	146480	Grommet, Handle
36	126949X602	Bracket, Handle
37	102604X	Grip, Bar Control
38	73800500	Locknut 5/16-18
39	10040500	Washer, Lock 5/16
42	121248X	Bushing, Snap

NOTE: All component dimensions given in U.S. inches.
1 inch = 25.4 mm

TILLER - - MODEL NUMBER QRT5A

MAINFRAME, LEFT SIDE



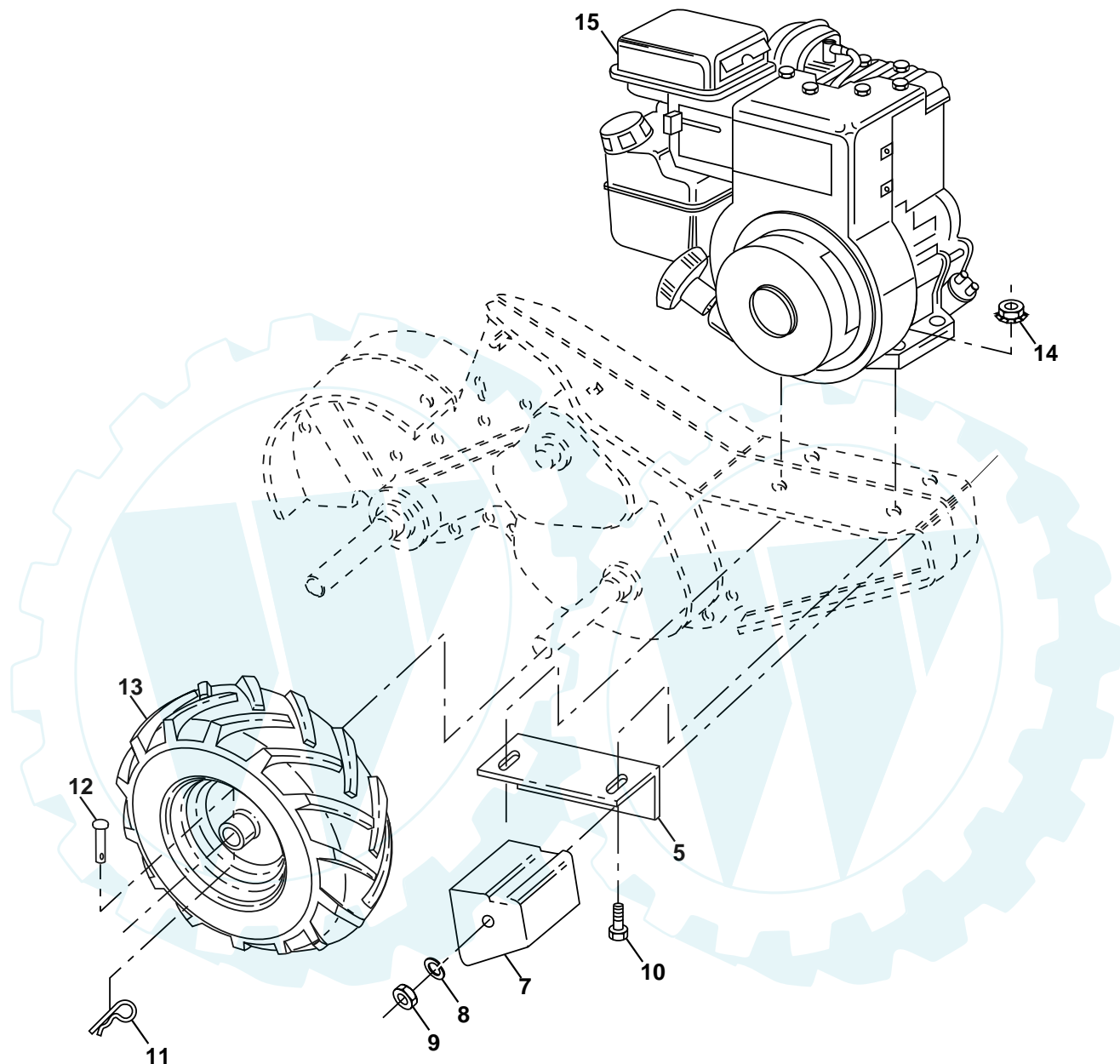
KEY NO.	PART NO.	DESCRIPTION
1	73510500	Nut, Keps 5/16-18
2	10040600	Washer, Lock 3/8
3	73220600	Nut, Hex 3/8-16
4	170127	Shield, Inner Belt Guard
5	154734	Screw, Shift Lever
6	110111X	Lever, Shift
7	72110404	Bolt, Carriage 1/4-20 x 1/2 Gr. 5
8	8700J	Plate, Shift Indicator
9	86777	Screw, Hex, Washer Head, Slotted #10-24 x 1/2
10	9484R	Clip
11	10040400	Washer, Lock 1/4
12	73220400	Nut, Hex 1/4-20
13	23230506	Screw, Set, Hex 5/16-18 x 3/8
14	156117	Spacer, Split 0.327 x 0.42 x 1.220
15	19111116	Washer 11/32 x 11/16 x 16 Ga.
16	145102	Sheave, Transmission
19	12000028	Ring, Retainer
21	110652X	Spacer, Split 0.327 x 0.42 x 2.09
22	74770508	Bolt, Fin Hex 5/16-24 x 1/2
23	102190X	Tire
	150750	Rim
	795R	Tire Valve
24	126875X	Rivet, Drilled
25	4497H	Clip, Hairpin
26	165501X602	Guard, Belt
27	132801	Belt, V
28	104679X	Pulley, Idler

KEY NO.	PART NO.	DESCRIPTION
29	12000032	Ring, Klip
30	159229	Bracket, Idler
31	102384X	Bolt, Hex 5/16-16 x 12
32	102141X	Shaft, Idler Arm
33	74760616	Bolt, Hex 3/8-16 x 1
34	102383X	Counterweight, L. H.
35	74760524	Bolt, Hex 5/16-18 x 1-1/2
36	102331X	Bracket, Reinforcement, L. H.
37	130812	Sheave, Engine
38	74760544	Bolt, Fin Hex 5/16-18 x 2-3/4
39	140062	Cap, Plunger
40	170488	Screw Hex Wsh Slt # 10-24 x .50
43	69180	Nut, Lock #10-24
44	73800500	Nut, Lock 5/16-18

NOTE: All component dimensions given in U.S. inches.
1 inch = 25.4 mm

TILLER - - MODEL NUMBER QRT5A

MAINFRAME, RIGHT SIDE



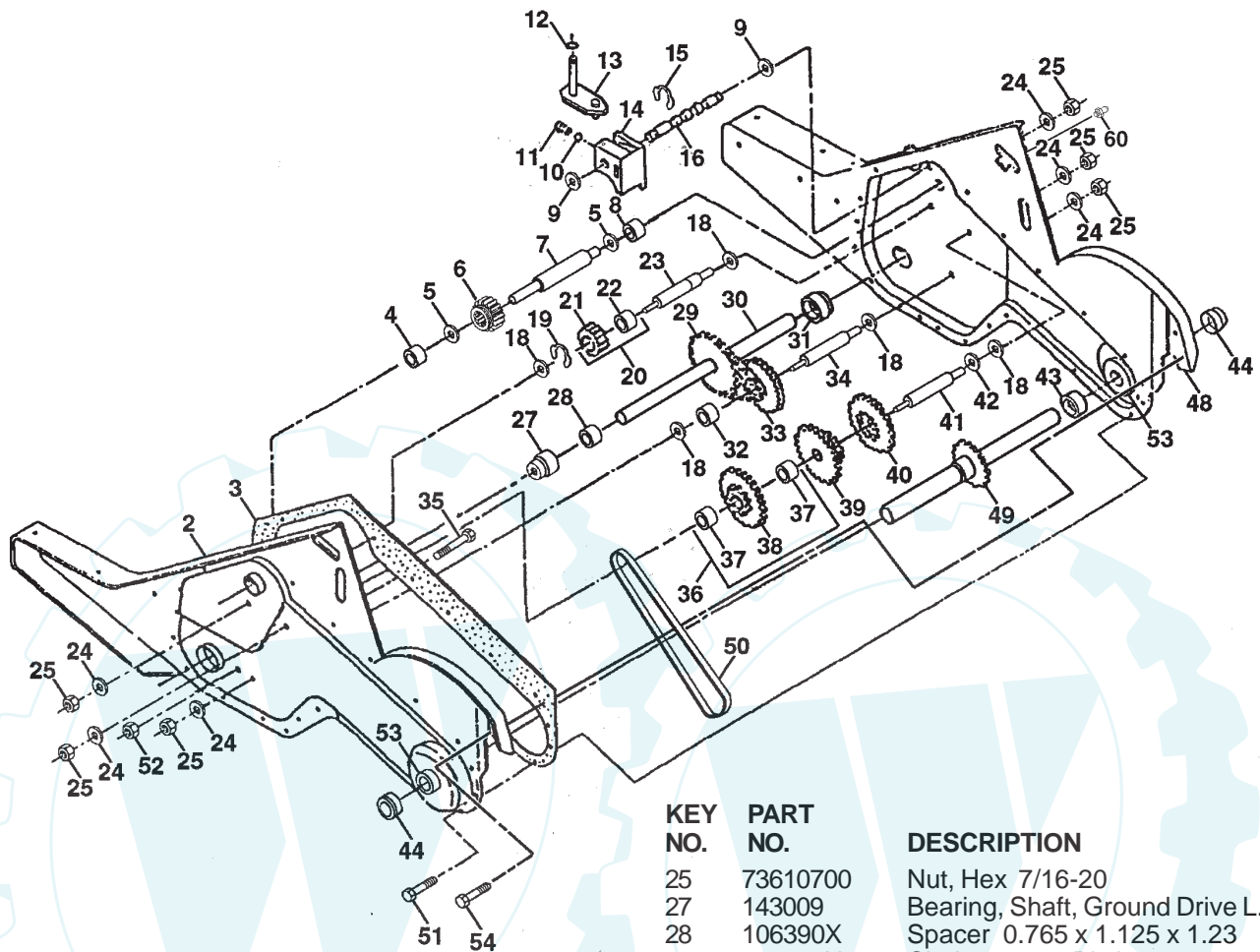
KEY NO.	PART NO.	DESCRIPTION
5	102332X	Bracket, Reinforcement
6	74760524	Bolt, Hex 5/16-18 x 1-1/2
7	102173X	Counter Weight, R.H.
8	10040600	Washer, Lock 3/8
9	73220600	Nut, Hex 3/8-16
11	4497H	Clip, Hairpin
12	126875X	Rivet, Drilled

KEY NO.	PART NO.	DESCRIPTION
13	102190X	Tire
	150750	Rim
	795R	Tire Valve
14	73510500	Nut, Keps 5/16-18
15	-----	Engine, Briggs Model 137202 (Order parts from engine manufacturer)

NOTE: All component dimensions given in U.S.inches.
1 inch = 25.4 mm

TILLER - - MODEL NUMBER QRT5A

TRANSMISSION



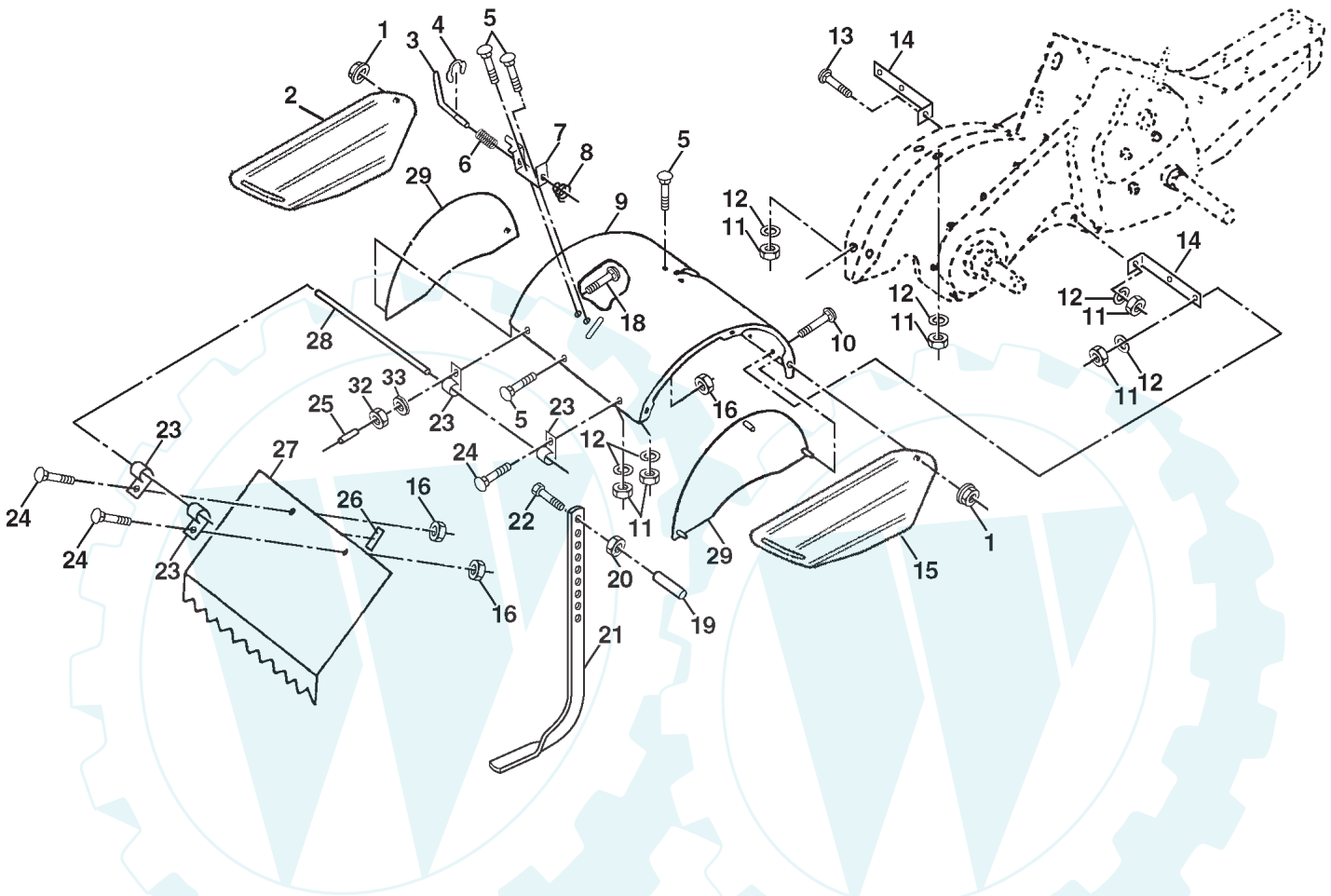
KEY NO.	PART NO.	DESCRIPTION
1	170337	Transmission Assembly (Includes Key Nos. 2-54)
2	165729	Gearcase, L.H. w/Bearing (Includes Key No. 4)
3	161963	Gasket, Gearcase
4	5020J	Bearing, Needle
5	1370H	Washer, Thrust 5/8 x 1.10 x 1/32
6	137335	Pinion, Input
7	145101	Shaft, Input
8	4895H	Bearing, Needle
9	154467	Washer, Seal
10	7392M	Ball, Steel
11	100371K	Spring, Shift, Fork
12	106160X	O-Ring
13	142145	Bracket, Shift
14	8353J	Fork, Shift
15	12000039	Ring, Klip
16	154466	Shaft, Shift
18	4358J	Washer
19	12000040	Ring, Klip
20	102114X	Gear, Assembly, Reverse Idler (Includes Key Nos. 21 and 22)
21	102115X	Gear, Reverse Idler
22	6803J	Bearing, Needle
23	102111X	Shaft, Reverse Idler
24	10040700	Washer, Lock 7/16

KEY NO.	PART NO.	DESCRIPTION
25	73610700	Nut, Hex 7/16-20
27	143009	Bearing, Shaft, Ground Drive L.H.
28	106390X	Spacer 0.765 x 1.125 x 1.23
29	102134X	Chain #35-50 Pitch
30	150737	Ground Shaft Assembly
31	143008	Bearing, Shaft, Ground Drive R.H.
32	106388X	Spacer 0.70 x 1.00 x 1.150
33	102121X	Sprocket and Gear Assembly
34	102112X	Shaft, Reduction (2nd)
35	102101X	Screw, Whiz, Lock 5/16-18 x 3-1/2
36	154355	Sprocket Assembly w/Bearing (Includes Key Nos. 37 and 38)
37	4422J	Bearing, Needle
38	154356	Sprocket, Tine
39	105345X	Gear, Cluster, Red 1st & 2nd
40	105346X	Gear, Reverse
41	8358J	Shaft, Reduction (1st)
42	4220R	Washer, Thrust
43	106146X	Spacer 1.01 x 1.75 x 0.760
44	155236	Seal, Asm. Oil
48	170338	Gearcase, R.H. w/Bearing (Includes Key No. 8)
49	132688	Shaft, Tine
50	106147X	Chain, Roller #50-50 Pitch
51	17720408	Screw 1/4-20 x 1/2
52	73220500	Nut, Hex 5/16-18
53	165140	Kit, Bearing, Tine Shaft
54	17720412	Screw 1/4-20 x 3/4
60	6855M	Fitting Grease
--	6066J	Grease, Plastilube #1

NOTE: All component dimensions given in U.S. inches.
1 inch = 25.4 mm

TILLER - - MODEL NUMBER QRT5A

TINE SHIELD



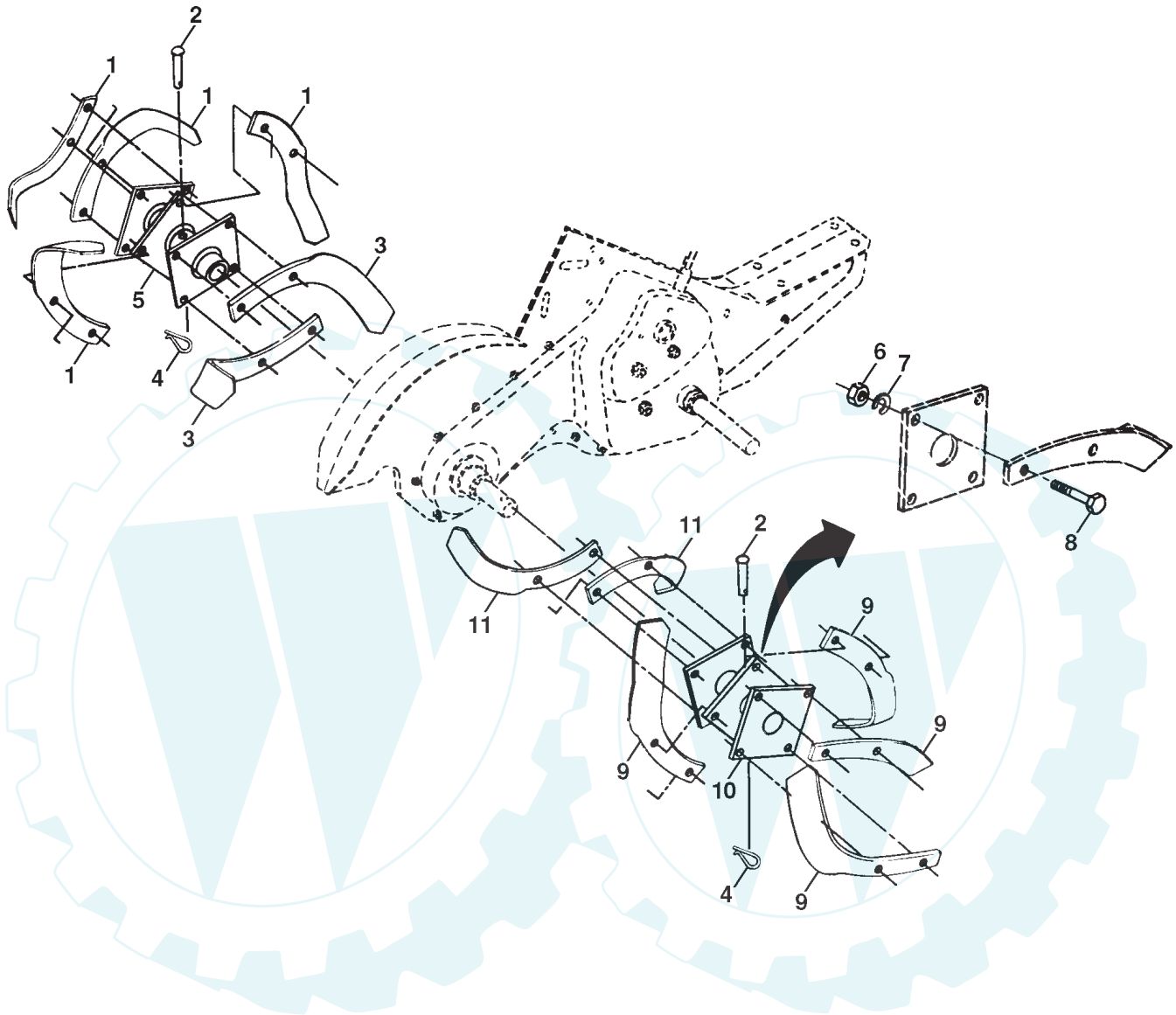
KEY NO.	PART NO.	DESCRIPTION
1	73900500	Nut, Flange 5/16-18
2	161415X602	Shield, Side, Outer L. H.
3	8393J	Pin, Stake, Depth
4	12000036	Ring, Klip
5	72140506	Bolt, Carriage 5/16-18 x 3/4 Gr 5
6	8394J	Spring
7	8392J	Bracket, Latch
8	109230X	Spring, Depth Stake
9	102326X602	Shield, Tine
10	72140508	Bolt, Carriage 5/16-18 x 1
11	73220500	Nut, Hex 5/16-18
12	10040500	Washer, Lock 5/16
13	72110510	Bolt, Carriage 5/16-18 x 1-1/4
14	124343X	Bracket, Shield Tine
15	161414X602	Shield, Side, Outer R.H.
16	73900400	Nut, Hex Flange 1/4-20 UNC
18	72040410	Bolt, Carriage 1/4-20 x 1-1/4 Gr. 5

KEY NO.	PART NO.	DESCRIPTION
19	102701X	Grip
20	73220600	Nut, Hex 3/8-16
21	102156X	Stake, Depth
22	74930632	Bolt, Hex 3/8-16 x 2
23	4440J	Hinge
24	72140404	Bolt, Carriage 1/4-20 x 1/2 Gr. 5
25	6712J	Cap, Vinyl
26	109227X	Pad, Idler
27	102695X602	Shield, Leveling
28	120588X	Pin, Hinge
29	104085X602	Shield, Side
32	73220400	Nut Fin Hex 1/4-20 UNC
33	10040400	Washer Lock Hvy Helical 1/4

NOTE: All component dimensions given in U.S. inches.
1 inch = 25.4 mm

TILLER - - MODEL NUMBER QRT5A

TINE ASSEMBLY



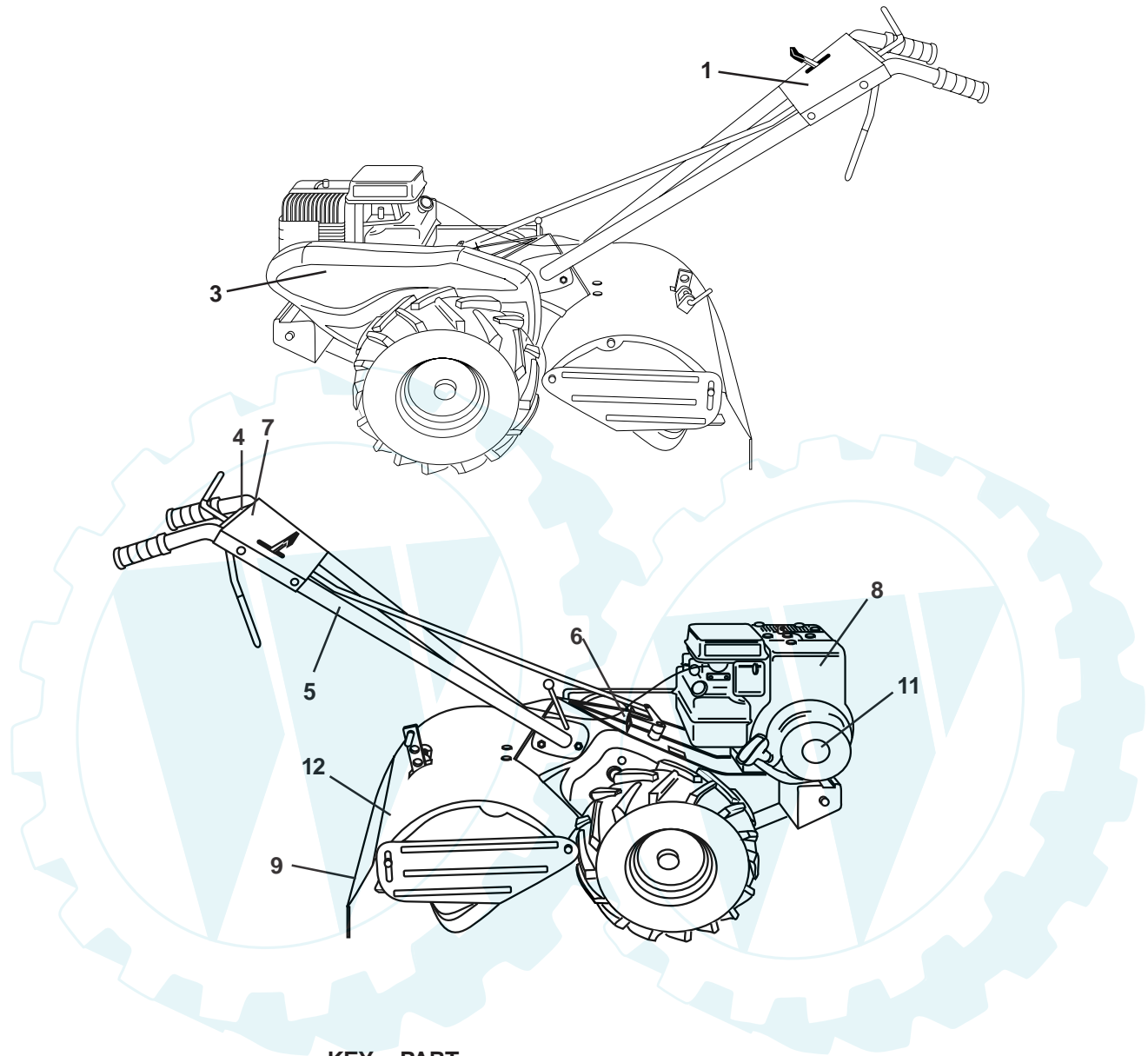
KEY NO.	PART NO.	DESCRIPTION
1	4459J	Tine, Outer, L.H.
2	132673	Clevis Pin
3	6554J	Tine, Inner, L.H.
4	3146R	Retainer, Spring
5	132727	Assembly, Hub and Plate, L.H.
6	73610600	Nut, Hex 3/8-24
7	10040600	Washer, Lock 3/8

KEY NO.	PART NO.	DESCRIPTION
8	74610616	Bolt, Hex 3/8-24 x 1
9	4460J	Tine, Outer, R.H.
10	132728	Assembly, Hub and Plate, R.H.
11	6555J	Tine, Inner, R.H.

NOTE: All component dimensions given in U.S. inches.
1 inch = 25.4 mm

TILLER - - MODEL NUMBER QRT5A

DECALS



KEY NO.	PART NO.	DESCRIPTION
1	172941	Decal, Logo
3	172942	Decal, Logo
4	110655X	Decal, Instruction, Tilling
5	120431X	Decal, Hand Placement
6	102180X	Decal, Shift Indicator
7	156199	Decal, Pnl Cntrl Reverse
8	171803	Decal, Briggs & Stratton
9	120075X	Decal, Warning, Rotating Tines
11	171804	Decal, 5 HP
12	162215	Decal, Warning Till
--	172996	Manual, Owner's (English)