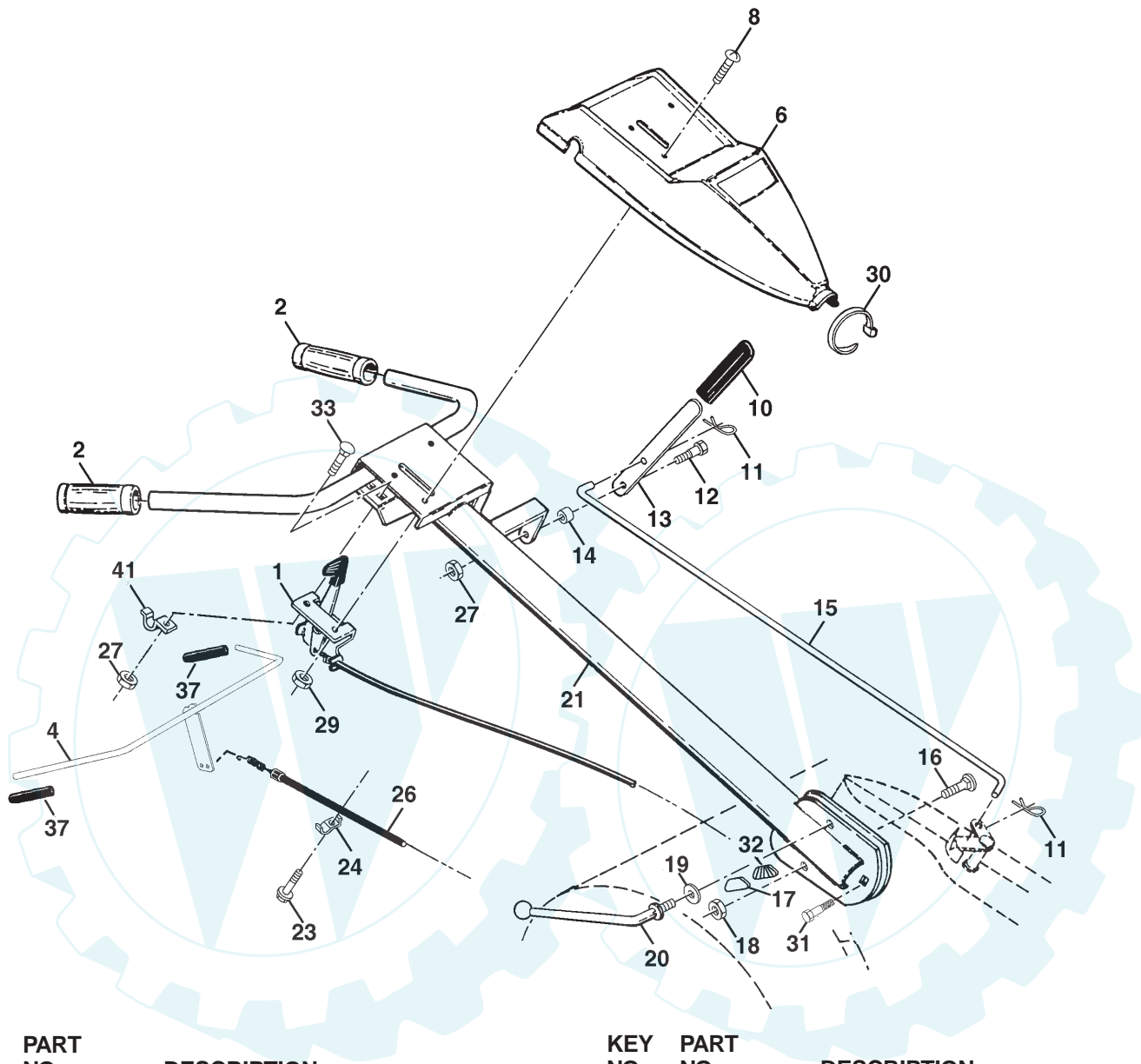


TILLER - - MODEL NUMBER QPRT9A

HANDLE ASSEMBLY



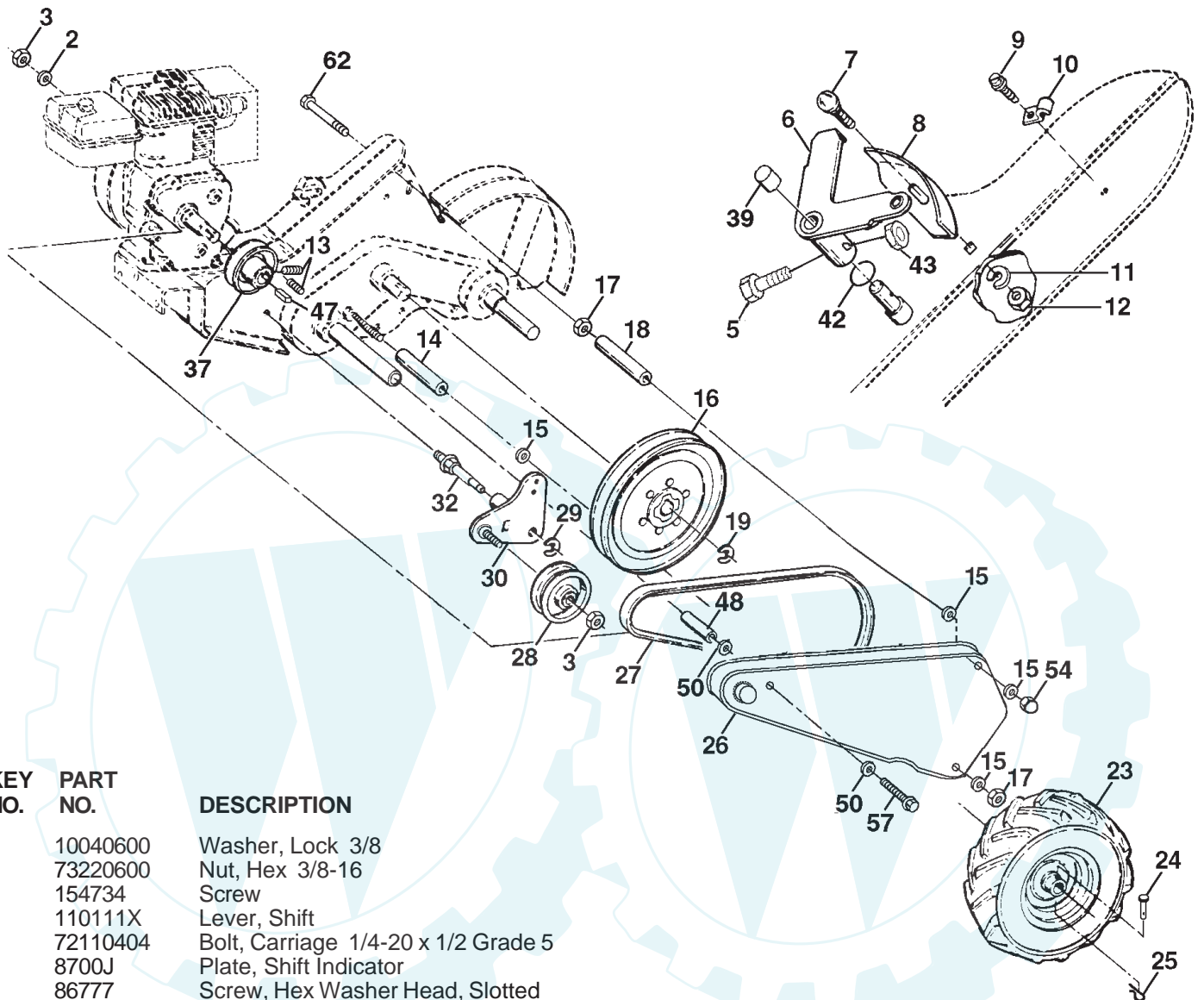
KEY NO.	PART NO.	DESCRIPTION
1	138305	Control, Throttle
2	9266R	Grip, Handle
4	159228	Bar Assembly, Control
6	126951X	Panel, Control
8	71191008	Screw, Pan Hd. #10-24 UNC
10	8206H	Grip, Handle
11	4497H	Clip, Hairpin
12	81328	Bolt, Shoulder
13	109335X	Handle, Shift
14	109313X	Grommet, Rubber
15	138400	Rod, Shift
16	72110608	Bolt, Carriage 3/8-16 x 1
17	109229X	Lock, Handle
18	73680600	Nut Crownlock 3/8-16 UNC
19	19131611	Washer 13/32 x 1 x 11 Ga.
20	109228X	Lever, Lock, Handle

KEY NO.	PART NO.	DESCRIPTION
21	151256X428	Handle
23	170448	Screw Hex Wsh Slit #10-24 x .50
24	9484R	Clip
26	159607	Cable, Clutch
27	73900400	Nut, Hex 1/4-20 UNC
29	73731000	Nut, Keps #10-24 UNC
30	104164X	Tie Cable
31	150696	Bolt, Pivot
32	138283	Lock Handle
33	72140404	Bolt, Carriage 1/4-20 UNC x 1/2
37	102604X	Grip, Bar, Control
41	102744X	Clamp, Bar, Control

Note: All component dimensions given in U.S. inches.
1 inch = 25.4 mm

TILLER - - MODEL NUMBER QPRT9A

MAINFRAME, LEFT SIDE



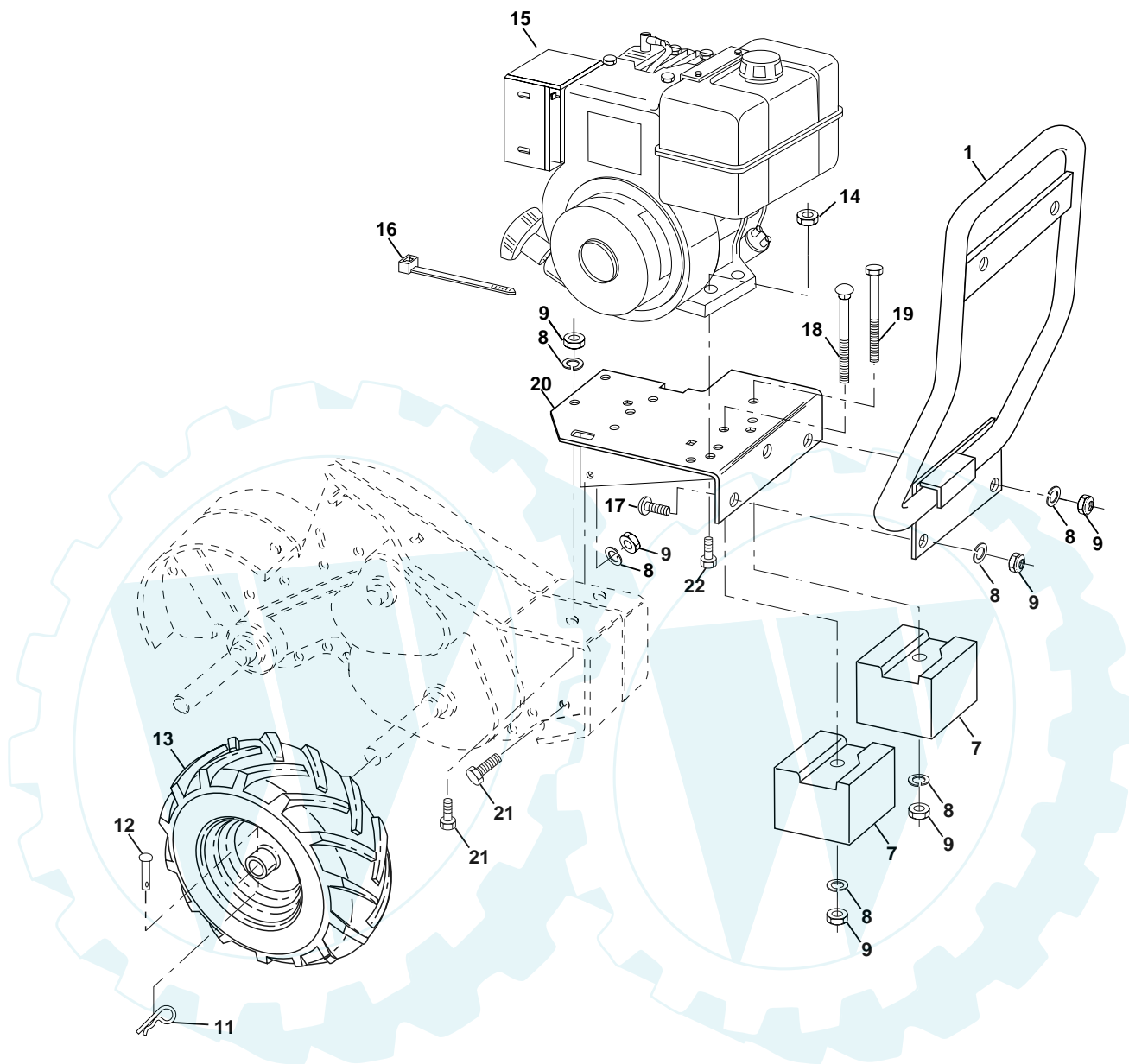
KEY NO.	PART NO.	DESCRIPTION
2	10040600	Washer, Lock 3/8
3	73220600	Nut, Hex 3/8-16
5	154734	Screw
6	110111X	Lever, Shift
7	72110404	Bolt, Carriage 1/4-20 x 1/2 Grade 5
8	8700J	Plate, Shift Indicator
9	86777	Screw, Hex Washer Head, Slotted #10-24 x 1/2
10	9484R	Clip
11	10040400	Washer, Lock 1/4
12	73220400	Nut, Hex 1/4-20
13	23230506	Screw, Set, Hex 5/16-18 x 3/8
14	8382J	Spacer, Split .327 x .42 x 2.88
15	19111116	Washer 11/32 x 11/16 x 16 Gauge
16	145102	Sheave, Transmission
17	73220500	Nut, Hex 5/16-18
18	8381J	Spacer, Split .327 x .42 x 3.50
19	12000028	Ring, Retainer
23	5015J	Tire
	138417	Rim
	795R	Tire Valve
24	4929H	Rivet, Drilled
25	4921H	Clip, Hairpin
26	159291X428	Guard, Belt
27	138399	V-Belt
28	104679X	Pulley, Idler
29	12000032	Ring, Klip

KEY NO.	PART NO.	DESCRIPTION
30	159229	Bracket, Idler
32	139401	Shaft, Idler Arm
37	4368J	Sheave, Engine
39	140062	Cap, Plunger
42	106160X	O-Ring
43	69180	Nut, Lock #10-24 UNC
47	4914H	Key, Square
48	157486	Spacer, Split .523 x .718 x 1.700
50	19171616	Washer
54	104214X	Nut, Cap 5/16-18
57	74770844	Bolt, Hex Head 1/2-20 x 2-3/4
62	74930572	Bolt, Hex Head 5/16-18 x 4-1/2

NOTE: All component dimensions given in U.S. inches.
1 inch = 25.4 mm

TILLER - - MODEL NUMBER QPRT9A

MAINFRAME, RIGHT SIDE



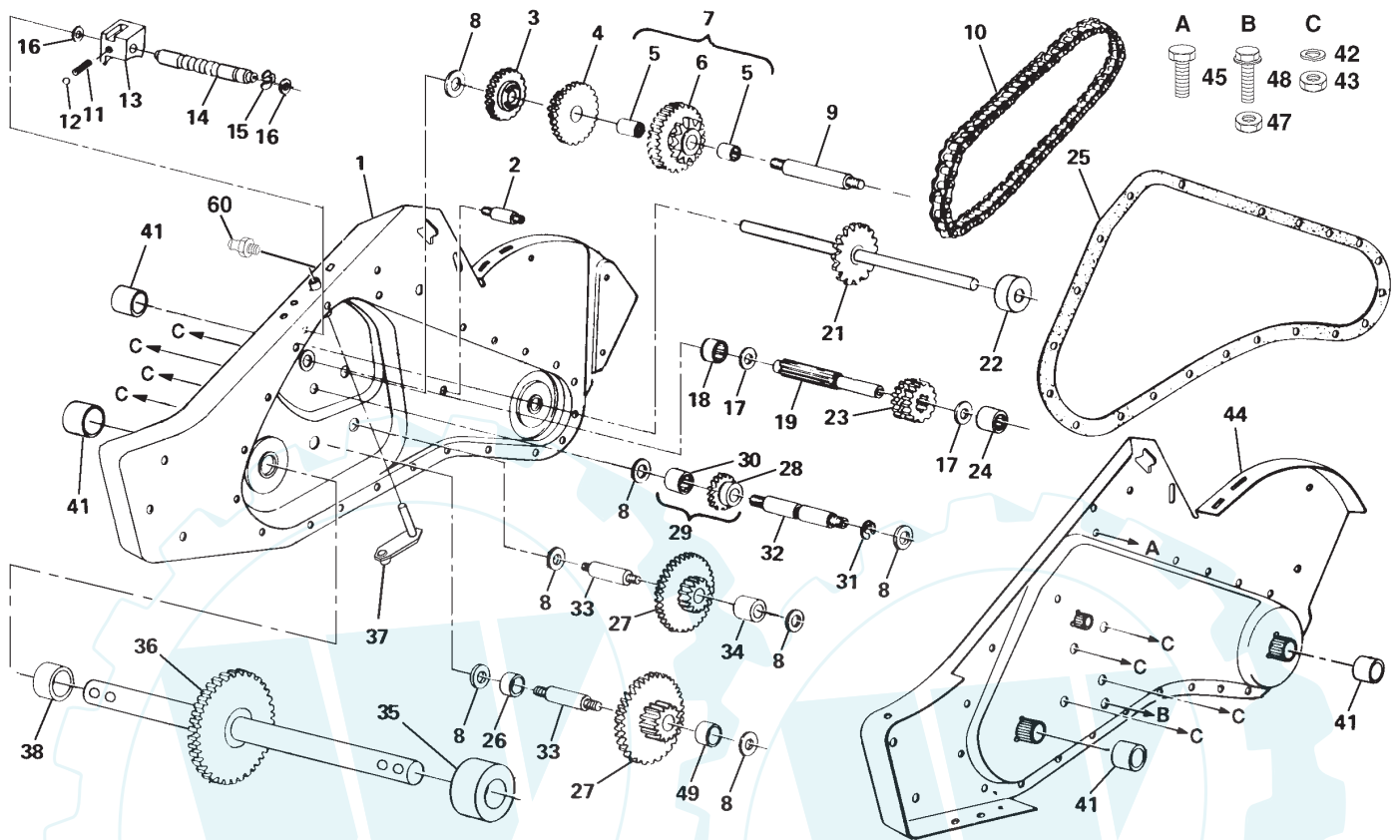
KEY NO.	PART NO.	DESCRIPTION
1	138402	Bumper
7	8450J	Counter Weight, R.H.
8	10040600	Washer, Lock 3/8
9	73220600	Nut, Hex 3/8-16
11	4921H	Clip, Hairpin
12	4929H	Rivet, Drilled
13	5015J	Tire
	138417	Rim
	795R	Tire Valve
14	73510500	Nut, Keps 5/16-18
15	-----	Engine, Briggs Model 19G402 (Order parts from engine manufacturer)

KEY NO.	PART NO.	DESCRIPTION
16	7192J	Tie, Cable
17	72140608	Bolt, Carriage 3/8-16 x 1
18	72470636	Bolt, Carriage 3/8-16 x 4-1/2
19	74760672	Bolt, Hex Head 3/8-16 x 4-1/2
20	138669	Bracket, Engine
21	74760616	Bolt, Hex Head 3/8-16 x 1
22	74760528	Bolt, Hex 5/16-18 x 1-3/4

NOTE: All component dimensions given in U.S. inches.
1 inch = 25.4 mm

TILLER - - MODEL NUMBER QPRT9A

TRANSMISSION



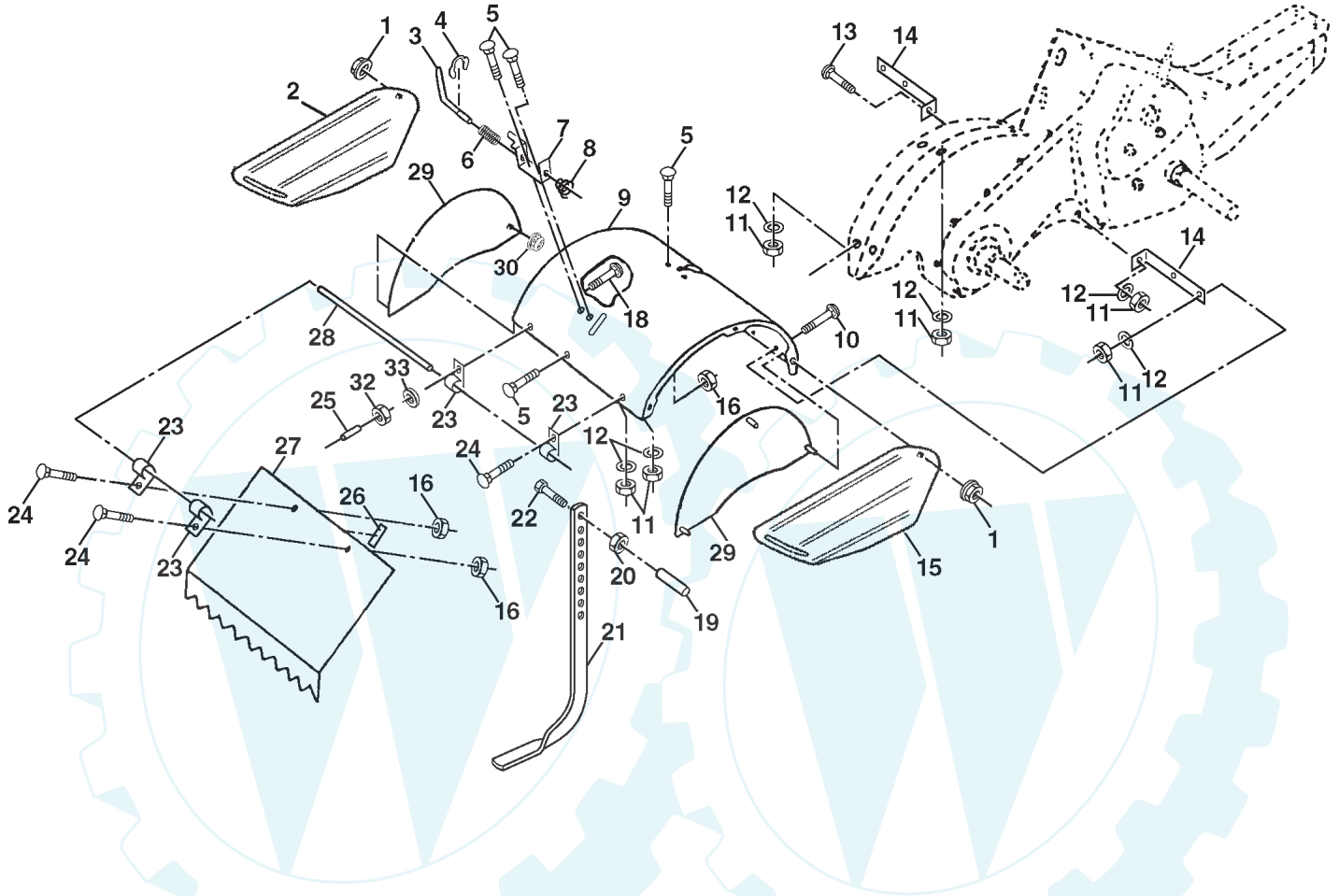
KEY NO.	PART NO.	DESCRIPTION
1	170325	Gearcase Assembly, R.H., with Bearing (Includes Key No. 18)
2	8370J	Bolt, Upset
3	8547J	Gear, Reverse
4	8546J	Gear, Cluster, Red., 1st and 2nd
5	100413K	Bearing, Needle
6	674A291	Sprocket Assembly, Tine
7	674A290	Sprocket Assembly with Bearings (Includes Key #6 & two of Key #5)
8	4358J	Washer
9	8358J	Shaft, Reduction, 1st
10	8371J	Chain, Roller, 60P
11	100371K	Spring, Shift, Fork
12	7392M	Ball, Steel
13	8353J	Fork, Shift
14	8354J	Shaft, Shift
15	12000039	Klip Ring
16	154467	Washer, Seal
17	1370H	Race, Bearing, Thrust, 5/8 I.D.
18	4895H	Bearing, Needle
19	150695	Shaft, Input
21	105378X	Shaft Assembly, Tine
22	106181X	Spacer 1.008 x 1-3/4 x .645
23	8359J	Pinion, Input
24	5020J	Bearing, Needle
25	164396	Gasket, Gearcase
26	106389X	Spacer .765 I.D. x 1.12 x 5/8
27	100433M	Gear, Cluster, Red., 2nd and 3rd

KEY NO.	PART NO.	DESCRIPTION
28	8357J	Gear, Reverse Idler
29	674A289	Gear Assembly, Reverse Idler (Includes Key Numbers 28 and 30)
30	6803J	Bearing, Needle
31	12000040	Klip Ring
32	8356J	Shaft, Reverse Idler
33	100016K	Shaft, Reduction, 2nd
34	106392X	Spacer .765 I.D. x 1-1/8 x 1-3/8
35	106394X	Spacer, Ground Drive, L.H.
36	100436L	Shaft Assembly, Ground
37	142145	Arm Assembly, Shift
38	106393X	Spacer, Ground Drive, R.H.
41	155236	Seal Asm Oil
42	10040700	Washer, Lock 7/16
43	73610700	Nut, Hex 7/16-20
44	162165	Gearcase Assembly, L.H., with Bearing (Includes Key Number 24)
45	17720510	Screw, Thd Cut 5/16-18 x 5/8
47	73220500	Nut, Hex Head 5/16-18
48	100107K	Screw, Whiz-Lock 5/16-18 x 4
49	106391X	Spacer .765 I.D. x 1.12 x 3/4
60	6855M	Fitting Grease
--	6066J	Grease, Plastilub Number 1
--	170324	Assembly, Transmission
--	162170	Kit, Gearcase LH and RH w/Bearing

NOTE: All component dimensions given in U.S. inches
1 inch = 25.4 mm

TILLER - - MODEL NUMBER QPRT9A

TINE SHIELD



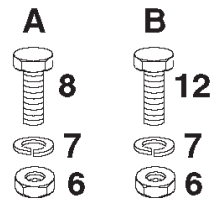
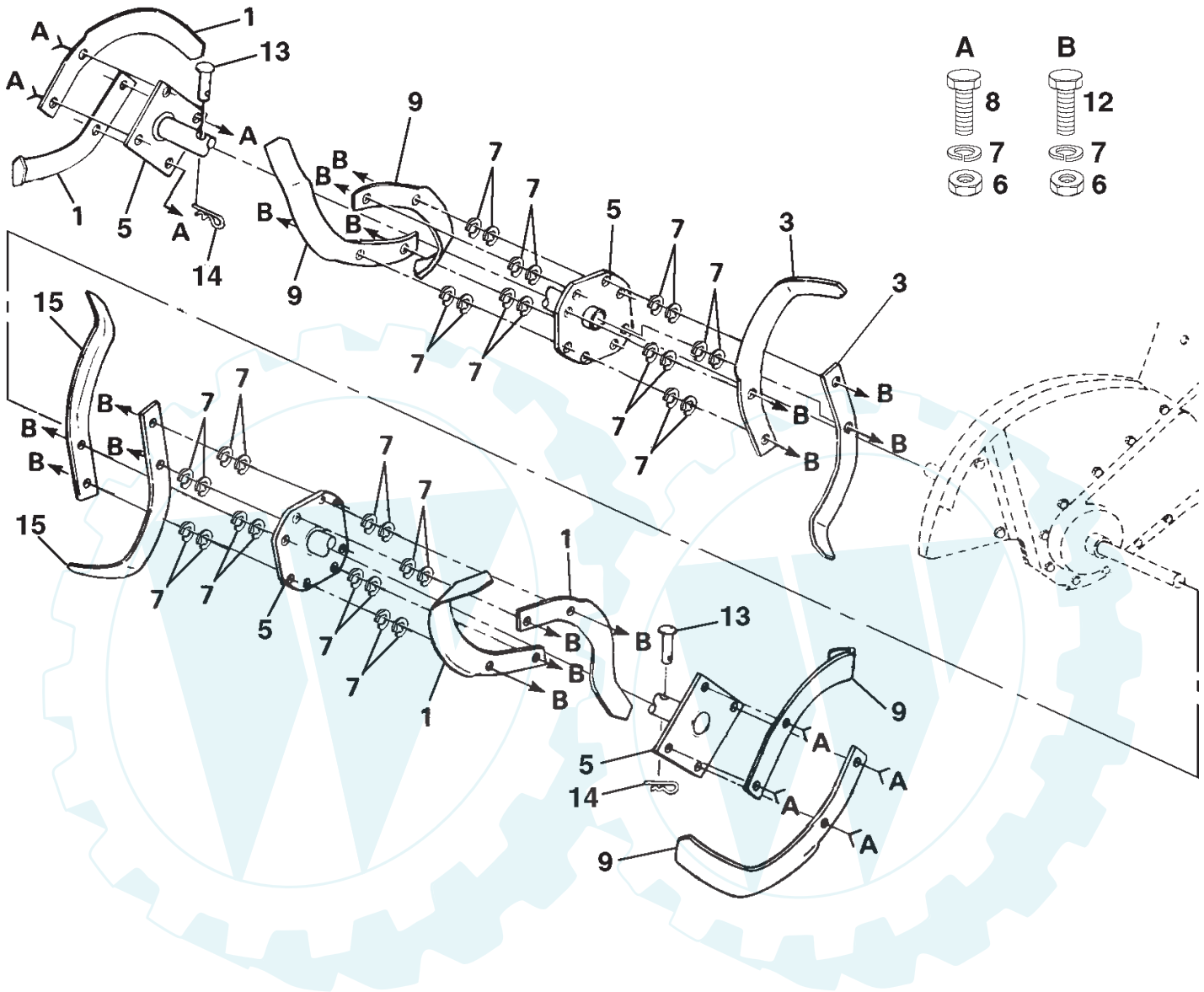
KEY NO.	PART NO.	DESCRIPTION
1	73900500	Nut, Flange 5/16-18
2	161416X428	Shield, Side, Outer, L.H.
3	8393J	Pin, Depth Stake
4	12000036	Ring, Klip
5	72140508	Bolt, Carriage 5/16-18 x 1
6	8394J	Spring
7	8392J	Bracket, Latch
8	109230X	Spring, Depth Stake
9	170708X428	Shield, Tine
10	72140506	Bolt, Carriage 5/16-18 x 3/4 Gr. 5
11	73220500	Nut, Hex 5/16-18
12	10040500	Washer, Lock 5/16
14	124343X	Bracket, Shield Tine
15	161417X428	Shield, Side, Outer R.H.
18	72040410	Bolt, Carriage 1/4-20 x 1-1/4 Gr. 5
19	102701X	Grip

KEY NO.	PART NO.	DESCRIPTION
20	73220600	Nut, Hex 3/8-16
21	138420	Stake, Depth
22	74930632	Bolt, Hex 3/8-16 x 2
23	4440J	Hinge
24	72140404	Bolt, Carriage 1/4-20 x 1/2
25	6712J	Cap, Vinyl
26	109227X	Pad, Idler
27	102713X428	Shield, Leveling
28	138609	Pin, Hinge
29	104084X428	Shield, Side
30	73970500	Nut Lock Hex Flange
32	73220400	Nut, Fin, Hex, 1/4-20
33	10040400	Washer, Lock 1/4

NOTE: All component dimensions given in U.S. inches.
1 inch = 25.4 mm

TILLER - - MODEL NUMBER QPRT9A

TINE ASSEMBLY

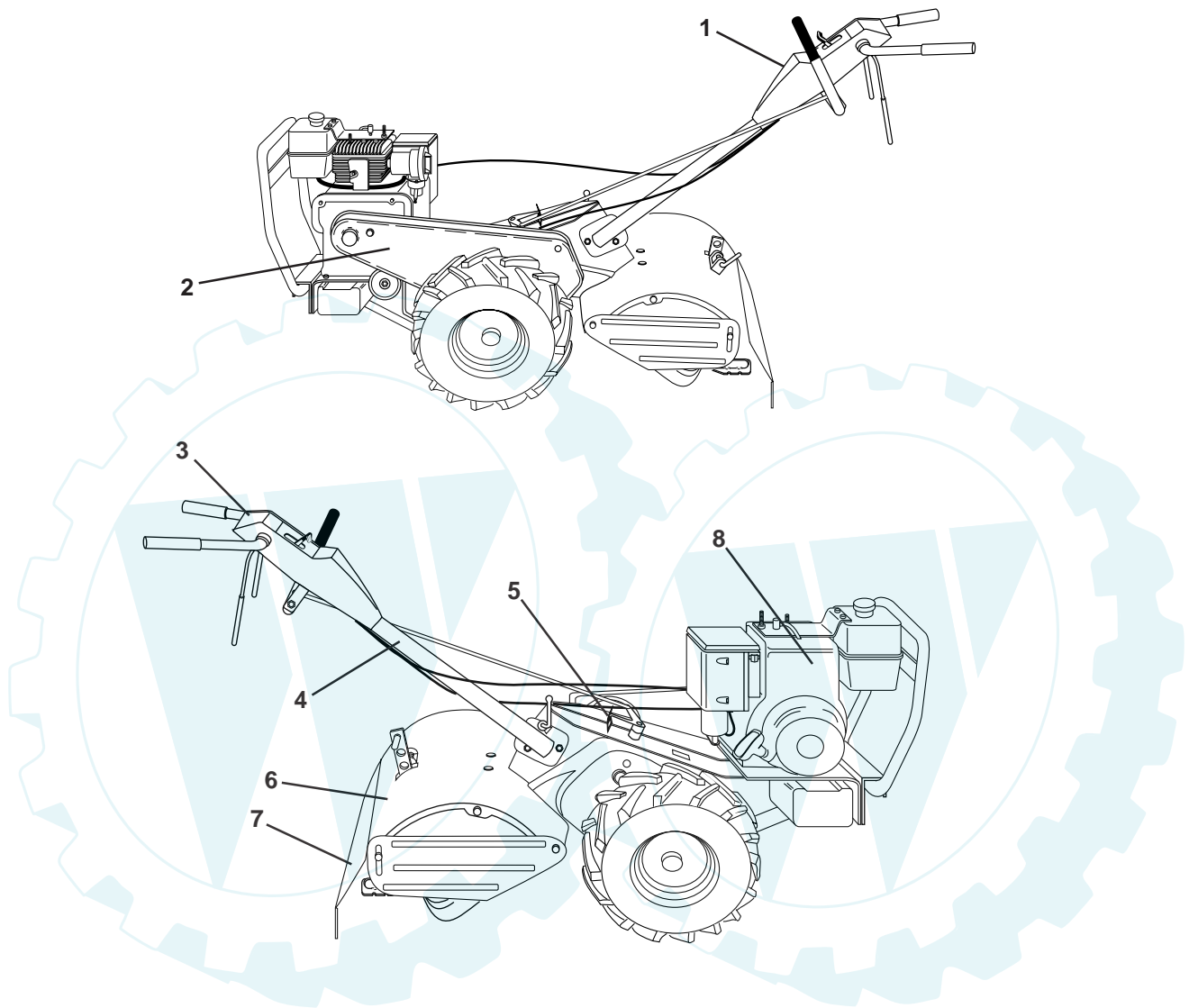


KEY NO.	PART NO.	DESCRIPTION
1	6556J	Tine, L.H., 14"
3	101194M	Tine, L.H., 14"
5	100445L	Hub Assembly
6	73610600	Nut, Hex 3/8-24
7	10040600	Washer, Lock 3/8
8	74610616	Bolt, Hex Head 3/8-24 x 1
9	6557J	Tine, R.H., 14"
12	74610624	Bolt, Hex Head 3/8-24 x 1-1/2
13	4929H	Rivet, Panhead
14	3146R	Clip, Hairpin
15	101193M	Tine, R.H., 14"

NOTE: All component dimensions given in U.S. inches.
1 inch = 25.4 mm

TILLER - - MODEL NUMBER QPRT9A

DECALS



KEY NO.	PART NO.	DESCRIPTION
1	172938	Decal, Logo
2	172939	Decal, Logo
3	139386	Decal, Instruction, Tilling
4	120431X	Decal, Hand Placement
5	138546	Decal, Shift Indicator
6	162215	Decal, Caution
7	120075X	Decal, Warning, Rotating Tines
8	170967	Decal, Eng. HP
--	173001	Manual, Owner's(English)