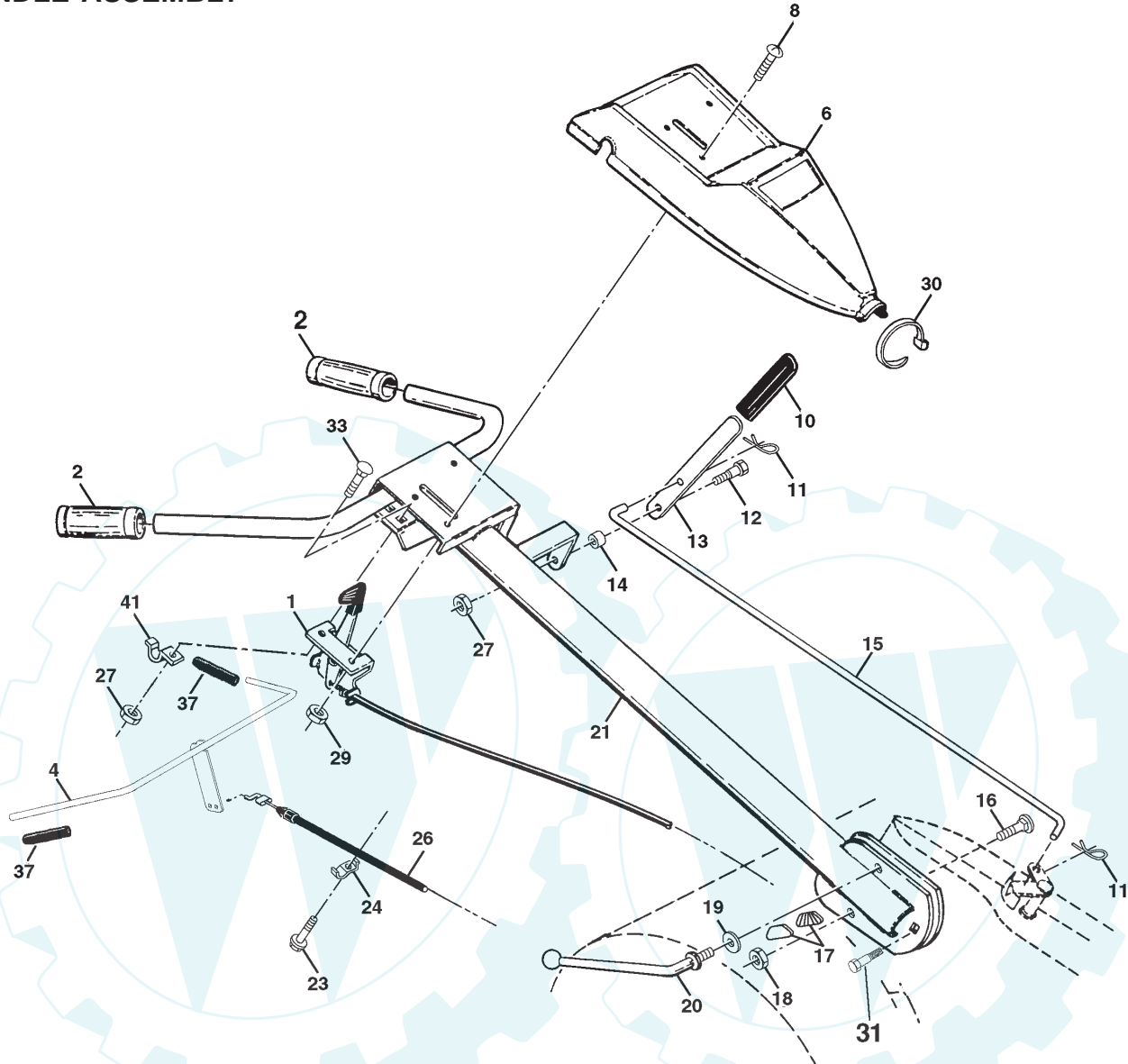


## TILLER - - MODEL NUMBER QPRT65A

### HANDLE ASSEMBLY



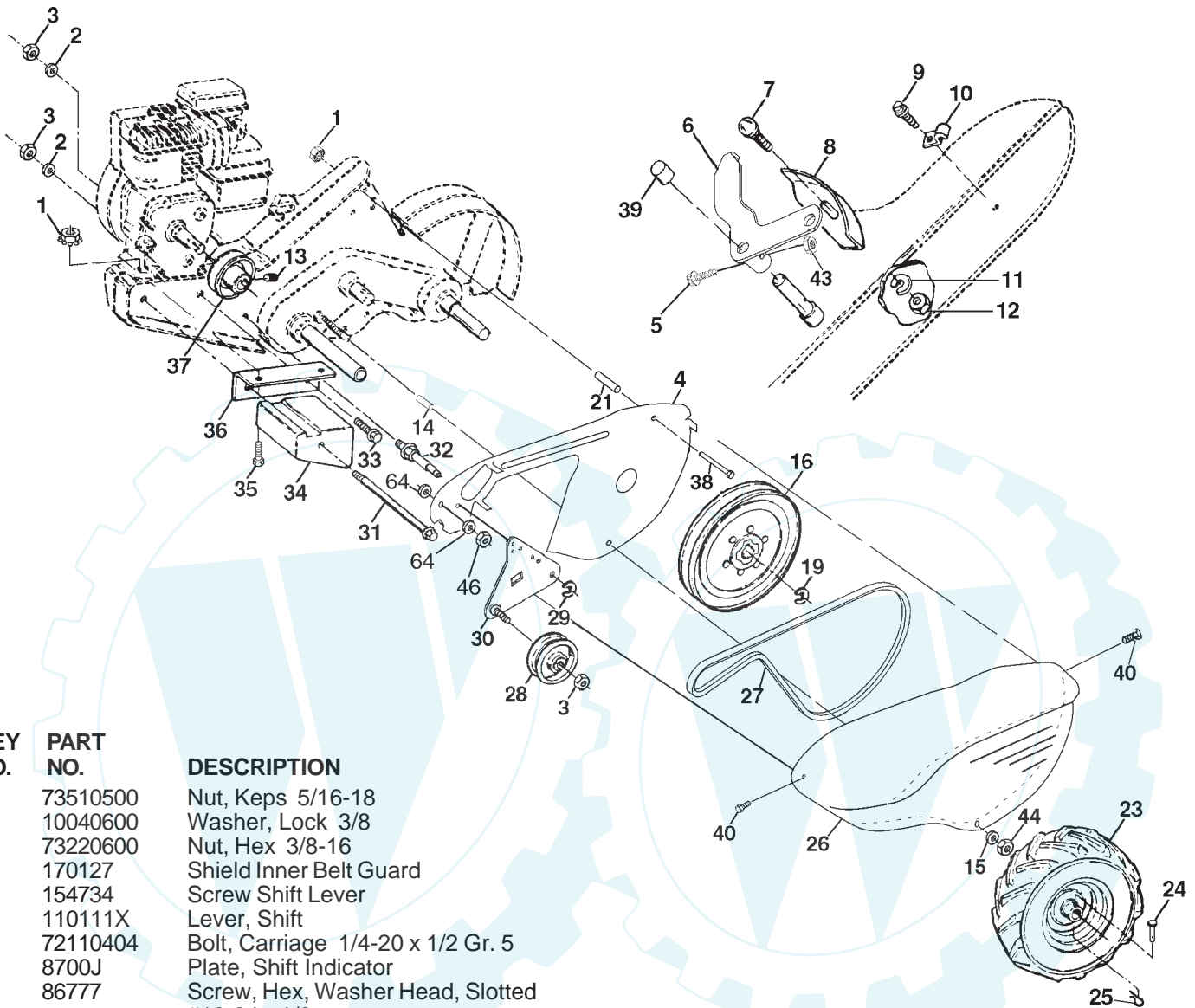
KEY NO.	PART NO.	DESCRIPTION
1	164743	Control, Throttle
2	9266R	Grip, Handle
4	159228	Bar Assembly, Control
6	126951X	Panel, Control
8	71191008	Screw, Phd. #10-24
10	8206H	Grip, Handle
11	4497H	Clip, Hairpin
12	81328	Bolt, Shoulder
13	109335X	Handle, Shift
14	109313X	Grommet, Rubber
15	109337X	Rod, Shift
16	72110608	Bolt, Carriage 3/8-16 x 1 Gr. 5
17	109229X	Lock, Handle
18	73680600	Nut Crownlock 3/8-16 UNC
19	19131611	Washer 13/32 x 1 x 11 Ga.

KEY NO.	PART NO.	DESCRIPTION
20	109228X	Lever, Lock, Handle
21	150256X428	Handle
23	170488	Screw Hex Wsh Slt #10-24 x .50
24	9484R	Clip
26	159231	Cable, Clutch
27	73900400	Nut, Hex Flange 1/4-20 UNC
29	73731000	Nut, Keps #10-24 UNC
30	7192J	Tie, Cable
31	150696	Bolt, Pivot
33	72140404	Bolt, Carriage 1/4-20 UNC x 1/2
37	102604X	Grip, Bar, Control
41	102744X	Clamp, Bar, Control

**NOTE:** All component dimensions given in U.S. inches.  
1 inch = 25.4 mm

## TILLER - - MODEL NUMBER QPRT65A

### MAINFRAME, LEFT SIDE



KEY NO.	PART NO.	DESCRIPTION
1	73510500	Nut, Keps 5/16-18
2	10040600	Washer, Lock 3/8
3	73220600	Nut, Hex 3/8-16
4	170127	Shield Inner Belt Guard
5	154734	Screw Shift Lever
6	110111X	Lever, Shift
7	72110404	Bolt, Carriage 1/4-20 x 1/2 Gr. 5
8	8700J	Plate, Shift Indicator
9	86777	Screw, Hex, Washer Head, Slotted #10-24 x 1/2
10	9484R	Clip
11	10040400	Washer, Lock 1/4
12	73220400	Nut, Hex 1/4-20
13	23230506	Screw, Set, Hex 5/16-18 x 3/8
14	156117	Spacer, Split 0.327 x 0.42 x 1.220
15	19111116	Washer 11/32 x 11/16 x 16 Ga.
16	145102	Sheave, Transmission
19	12000028	Ring, Retainer
21	110652X	Spacer, Split 0.327 x 0.42 x 2.09
22	74770508	Bolt Fin Hex 5/16-24 x 1/2
23	5015J	Tire
	128952	Rim
	795R	Tire Valve
24	126875X	Rivet, Drilled
25	4497H	Clip, Hairpin
26	165501X428	Guard, Belt
27	132801	Belt, V
28	104679X	Pulley, Idler
29	12000032	Ring, Klip

KEY NO.	PART NO.	DESCRIPTION
30	159229	Bracket, Idler
31	102384X	Bolt, Hex 5/16-16 x 12
32	102141X	Shaft, Idler Arm
33	74760616	Bolt, Hex 3/8-16 x 1
34	102383X	Counterweight, L. H.
35	74760532	Bolt, Hex 5/16-18 x 1-1/2
36	102331X	Bracket, Reinforcement, L. H.
37	130812	Sheave, Engine
38	74760544	Bolt Fin Hex 5/16-18 x 2-3/4
39	140062	Cap, Plunger Blk
40	170488	Screw Hex Wsh. Slt #10-24 x .50
43	69180	Nut Lock #10-24
44	73800500	Nut Lock Hx W/Ins 5/16-18

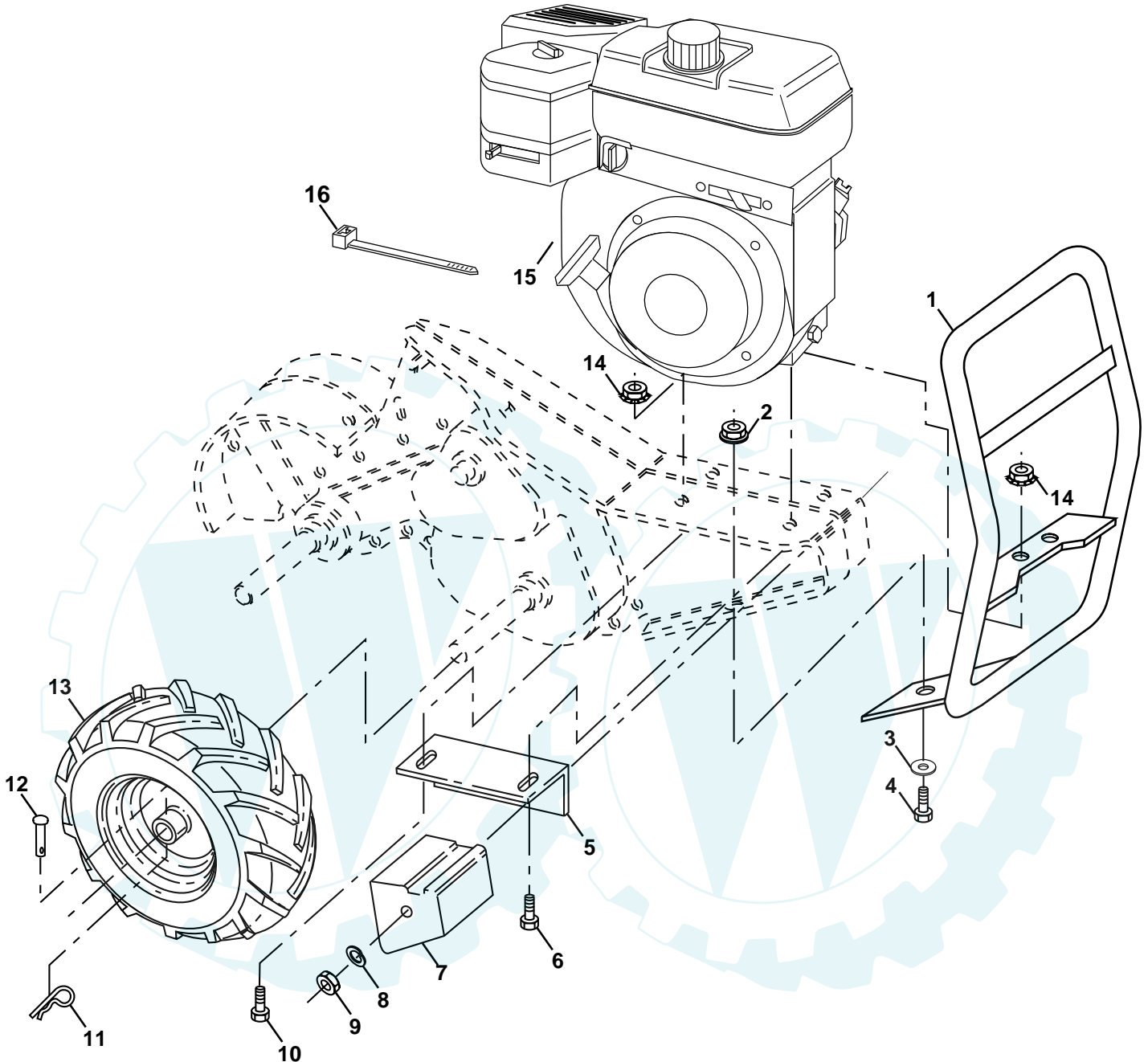
**NOTE:** All component dimensions given in U.S. inches.  
1 inch = 25.4 mm

# REPAIR PARTS

[www.ersatzteil-service.de](http://www.ersatzteil-service.de)

## TILLER - - MODEL NUMBER QPRT65A

### MAINFRAME, RIGHT SIDE



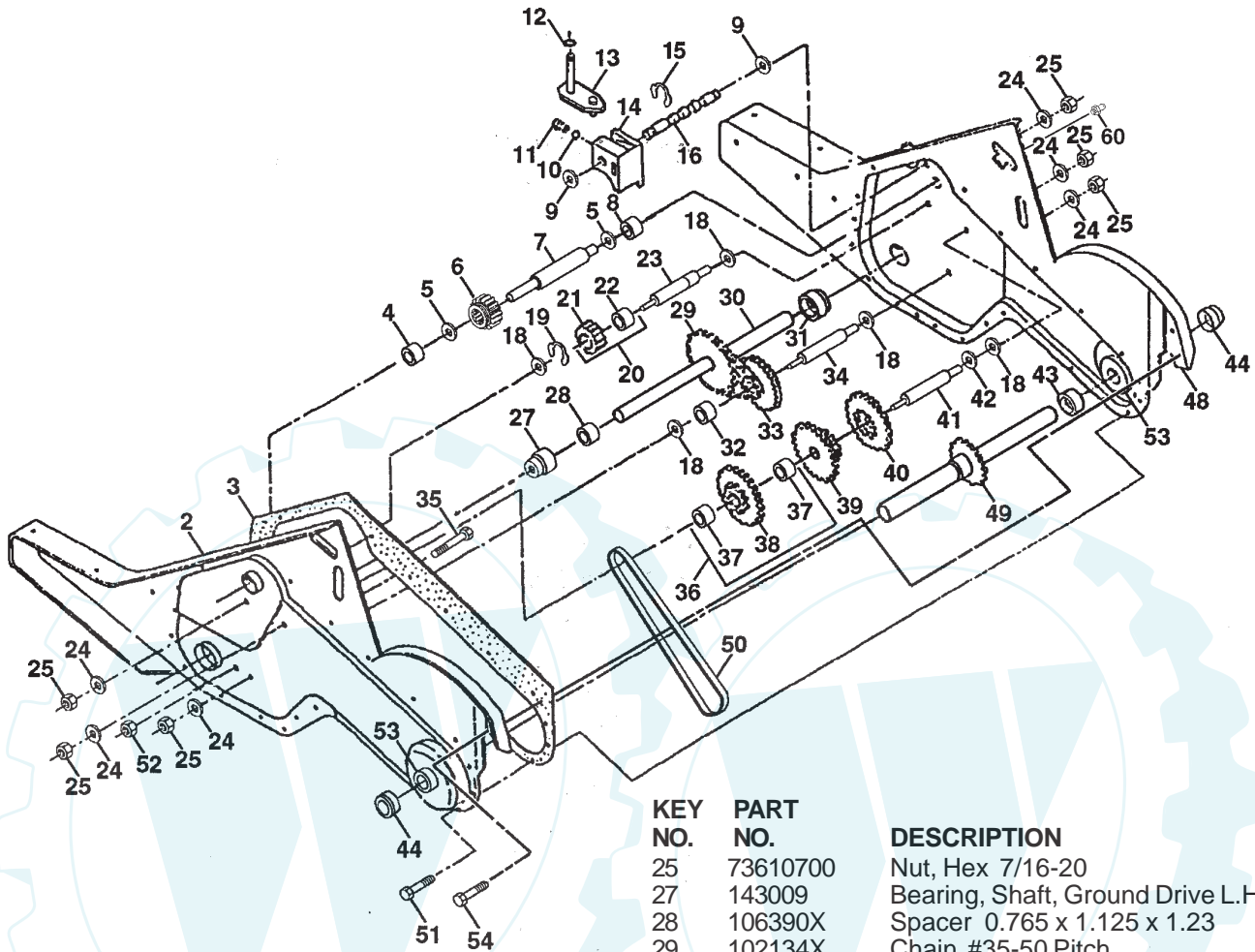
KEY NO.	PART NO.	DESCRIPTION
1	166532	Bumper
2	73970500	Locknut, Hex, Flange 5/16-18
3	19111116	Washer 11/32 x 11/16 x 16 Ga.
4	74760512	Bolt, Hex 5/16-18 x 3/4
5	102332X	Bracket, Reinforcement
6	74760532	Bolt, Hex 5/16-18 x 2
7	102173X	Counter Weight, R.H.
8	10040600	Washer, Lock 3/8
9	73220600	Nut, Hex 3/8-16
10	74760524	Bolt, Hex 5/16-18 x 1-1/2
11	4497H	Clip, Hairpin

KEY NO.	PART NO.	DESCRIPTION
12	126875X	Rivet, Drilled
13	5015J	Tire
	128952	Rim
	795R	Tire Valve
14	73510500	Nut, Keps 5/16-18
15	-----	Engine Briggs Model 121402 (Order parts from engine manufacturer)

**NOTE:** All component dimensions given in U.S.inches.  
1 inch = 25.4 mm

## TILLER - - MODEL NUMBER QPRT65A

### TRANSMISSION

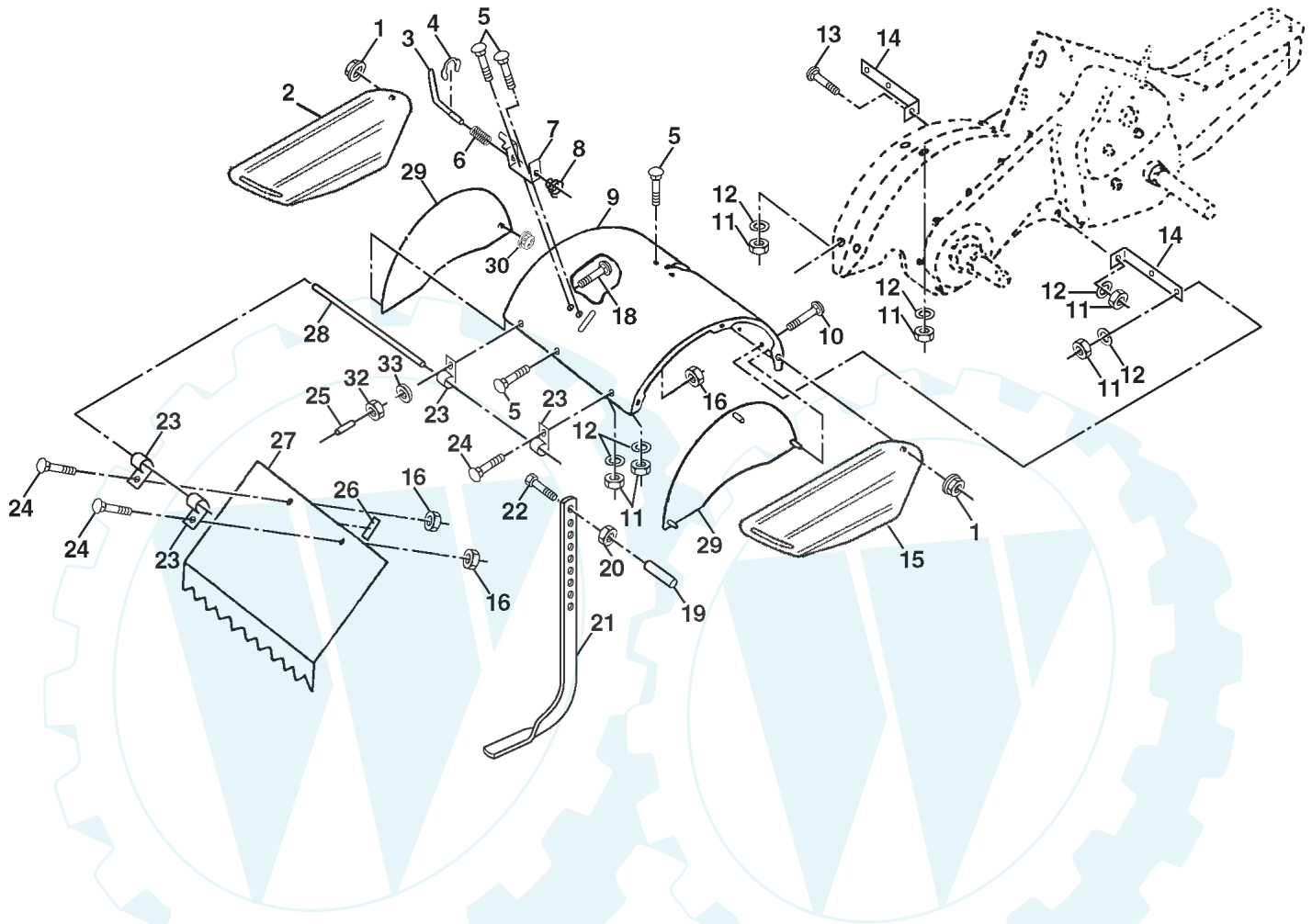


KEY NO.	PART NO.	DESCRIPTION	KEY NO.	PART NO.	DESCRIPTION
1	170337	Transmission Assembly (Includes Key Nos. 2-52)	25	73610700	Nut, Hex 7/16-20
2	165729	Gearcase, L.H. w/Bearing (Includes Key No. 4)	27	143009	Bearing, Shaft, Ground Drive L.H.
3	161963	Gasket, Gearcase	28	106390X	Spacer 0.765 x 1.125 x 1.23
4	5020J	Bearing, Needle	29	102134X	Chain #35-50 Pitch
5	1370H	Washer, Thrust 5/8 x 1.10 x 1/32	30	150737	Ground Shaft Assembly
6	137335	Pinion, Input	31	143008	Bearing, Shaft, Ground Drive R.H.
7	145101	Shaft, Input	32	106388X	Spacer 0.70 x 1.00 x 1.150
8	4895H	Bearing, Needle	33	102121X	Sprocket and Gear Assembly
9	154467	Washer, Seal	34	102112X	Shaft, Reduction (2nd)
10	7392M	Ball, Steel	35	102101X	Screw, Whiz, Lock 5/16-18 x 3-1/2
11	100371K	Spring, Shift, Fork	36	154355	Sprocket Assembly w/Bearing (Includes Key Nos. 37 and 38)
12	106160X	O-Ring	37	4422J	Bearing, Needle
13	142145	Arm, Shift	38	154356	Sprocket, Tine
14	8353J	Fork, Shift	39	105345X	Gear, Cluster, Red 1st & 2nd
15	12000039	Ring, Klip	40	105346X	Gear, Reverse
16	154466	Shaft, Shift	41	8358J	Shaft, Reduction (1st)
18	4358J	Washer	42	4220R	Washer, Thrust
19	12000040	Ring, Klip	43	106146X	Spacer 1.01 x 1.75 x 0.760
20	102114X	Gear, Assembly, Reverse Idler (Includes Key Nos. 21 and 22)	44	155236	Seal Asm. Oil
21	102115X	Gear, Reverse Idler	48	170338	Gearcase, R.H. w/Bearing (Includes Key No. 8)
22	6803J	Bearing, Needle	49	132688	Shaft, Tine
23	102111X	Shaft, Reverse Idler	50	106147X	Chain, Roller #50-50 Pitch
24	10040700	Washer, Lock 7/16	51	17720408	Screw 1/4-20 x 1/2
			52	73220500	Nut, Hex 5/16-18
			53	165140	Kit, Bearing
			54	17720412	Screw 1/4-20 x 3/4
			60	6855M	Fitting Grease
			--	6066J	Grease, Plastilube #1

**NOTE:** All component dimensions given in U.S. inches.  
1 inch = 25.4 mm

## TILLER - - MODEL NUMBER QPRT65A

### TINE SHIELD



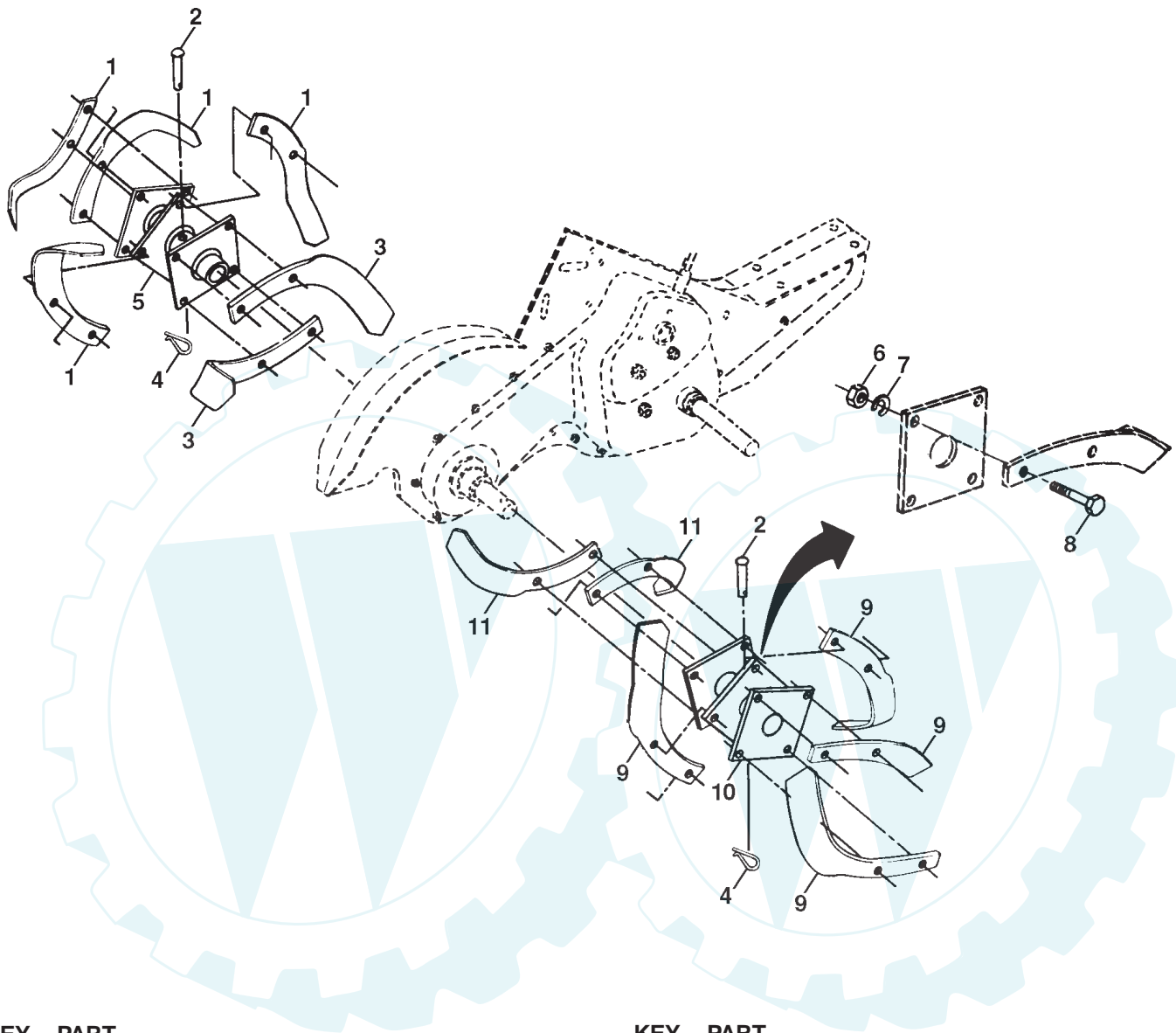
KEY NO.	PART NO.	DESCRIPTION
1	73900500	Nut, Flange 5/16-18
2	161415X428	Shield, Side, Outer L. H.
3	8393J	Pin, Stake, Depth
4	12000036	Ring, Klip
5	72140506	Bolt, Carriage 5/16-18 x 3/4 Gr. 5
6	8394J	Spring
7	8392J	Bracket, Latch
8	109230X	Spring, Depth Stake
9	124289X428	Shield, Tine
10	72140508	Bolt, Carriage 5/16-18 UNC x 1
11	73220500	Nut, Hex 5/16-18
12	10040500	Washer, Lock 5/16
13	72110510	Bolt, Carriage 5/16-18 x 1-1/4
14	124311X	Bracket, Shield Tine
15	161414X428	Shield, Side, Outer R.H.
16	73900400	Nut, Hex Flange 1/4-20 UNC
18	72040410	Bolt, Carriage 1/4-20 x 1-1/4 Gr. 5

KEY NO.	PART NO.	DESCRIPTION
19	102701X	Grip
20	73220600	Nut, Hex 3/8-16
21	102156X	Stake, Depth
22	74930632	Bolt, Hex 3/8-16 x 2
23	4440J	Hinge
24	72140404	Bolt, Carriage 1/4-20 x 1/2 Gr. 5
25	6712J	Cap, Vinyl
26	109227X	Pad, Idler
27	102695X428	Shield, Leveling
28	120588X	Pin, Hinge
29	124309X428	Shield, Side
30	73970500	Locknut, Flange 5/16-18
32	73220400	Nut Fin Hex 1/4-20 UNC
33	10040400	Washer Lock Hvy Helical 1/4

**NOTE:** All component dimensions given in U.S. inches.  
1 inch = 25.4 mm

## TILLER - - MODEL NUMBER QPRT65A

### TINE ASSEMBLY



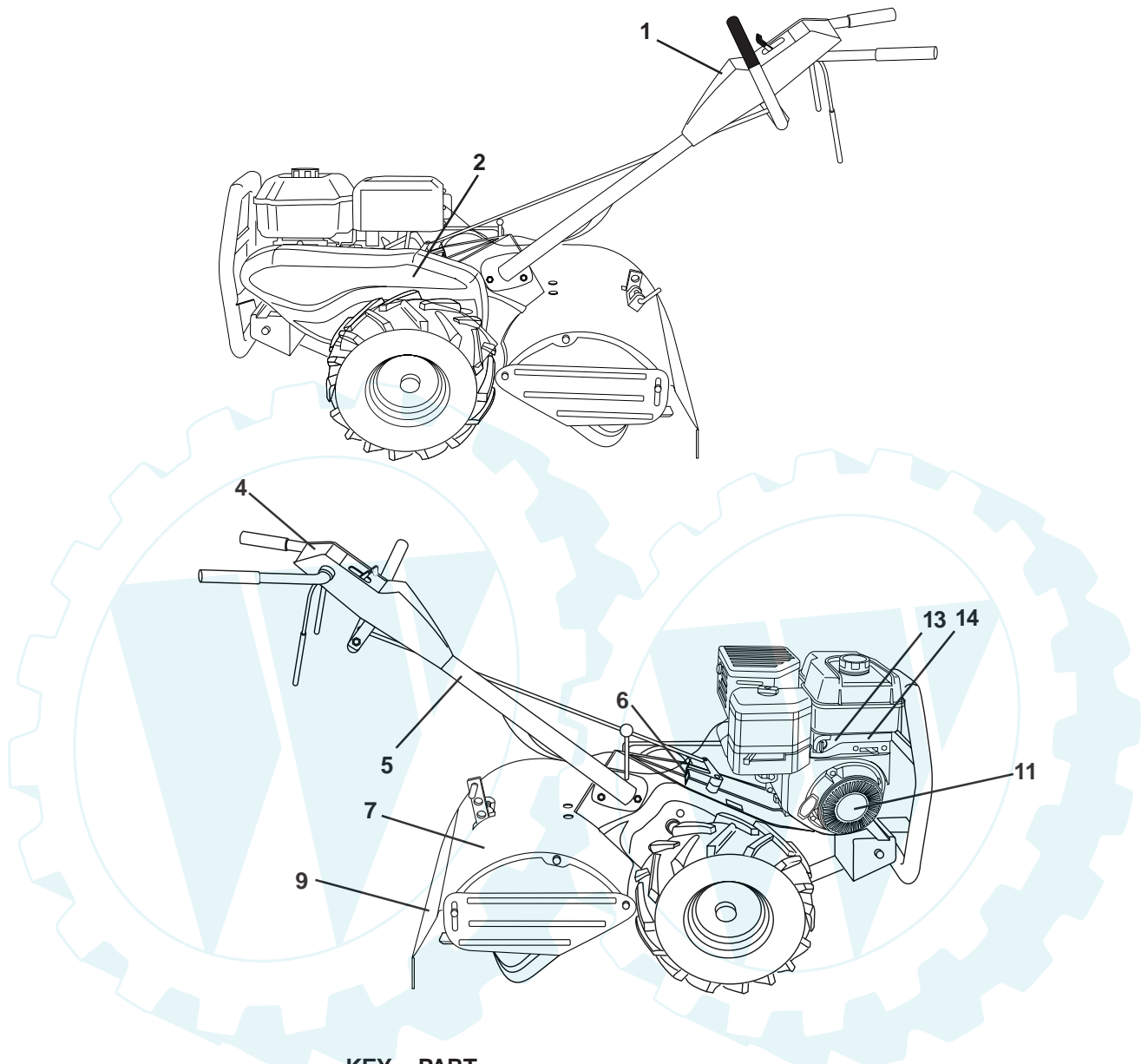
KEY NO.	PART NO.	DESCRIPTION
1	4459J	Tine, Outer, L.H.
2	132673	Clevis Pin
3	6554J	Tine, Inner, L.H.
4	3146R	Retainer Spring
5	132727	Assembly, Hub and Plate, L.H.
6	73610600	Nut, Hex 3/8-24

KEY NO.	PART NO.	DESCRIPTION
7	10040600	Washer, Lock 3/8
8	74610616	Bolt, Hex 3/8-24 x 1
9	4460J	Tine, Outer, R.H.
10	132728	Assembly, Hub and Plate, R.H.
11	6555J	Tine, Inner, R.H.

**NOTE:** All component dimensions given in U.S. inches.  
1 inch = 25.4 mm

## TILLER - - MODEL NUMBER QPRT65A

### DECALS



KEY NO.	PART NO.	DESCRIPTION
1	172938	Decal, Logo
2	172940	Decal, Logo
4	136943	Decal, Instruction, Tilling
5	120431X	Decal, Hand Placement
6	102180X	Decal, Shift Indicator
7	162215	Decal, Warning
9	120075X	Decal, Warning, Rotating Tines
11	171079	Decal, HP
13	171078	Decal, Rewind
14	167483	Decal, Non-Intek IC
--	172998	Manual, Owner's (English)