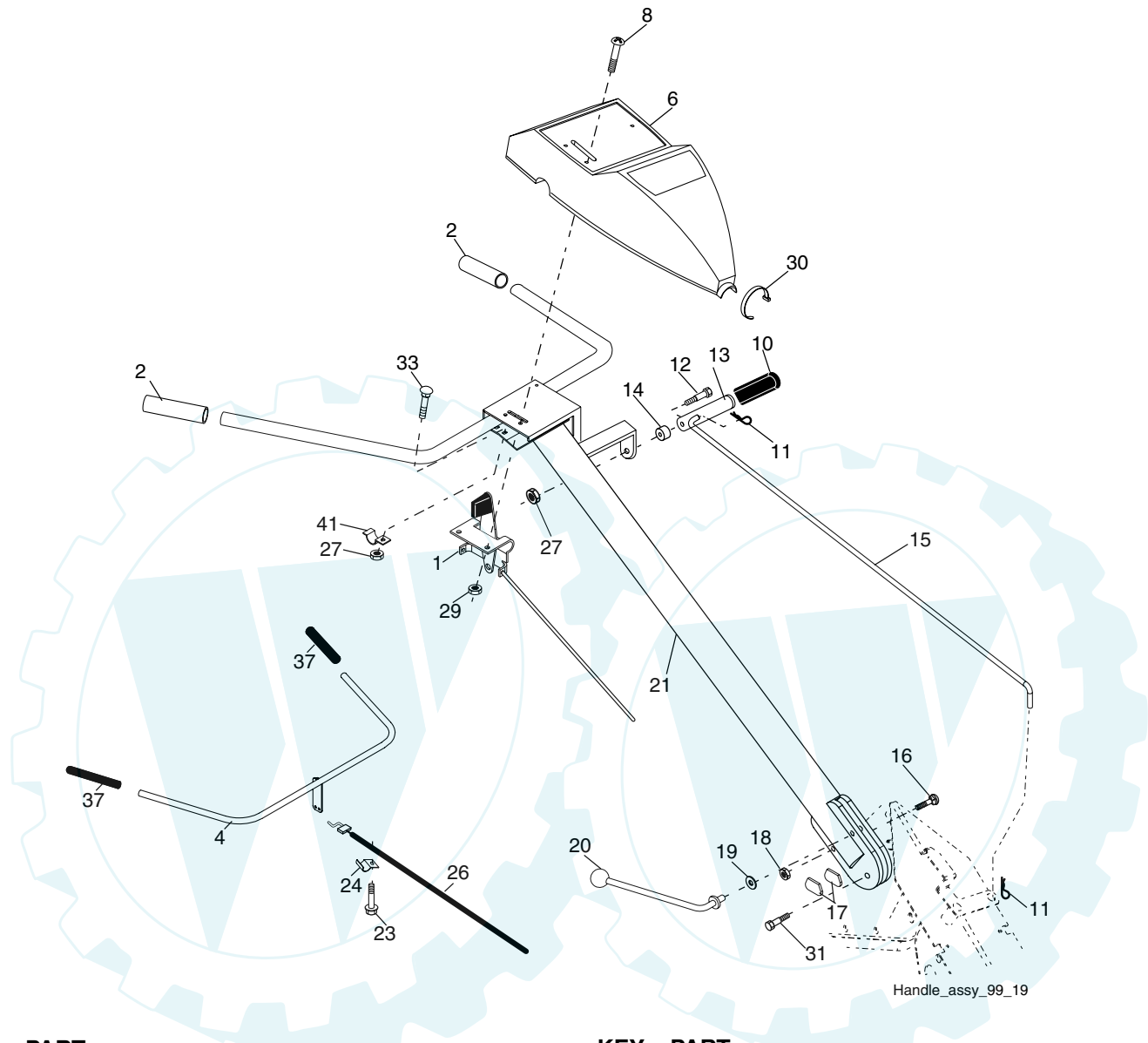


TILLER - - MODEL NUMBER PRRT65D

HANDLE ASSEMBLY



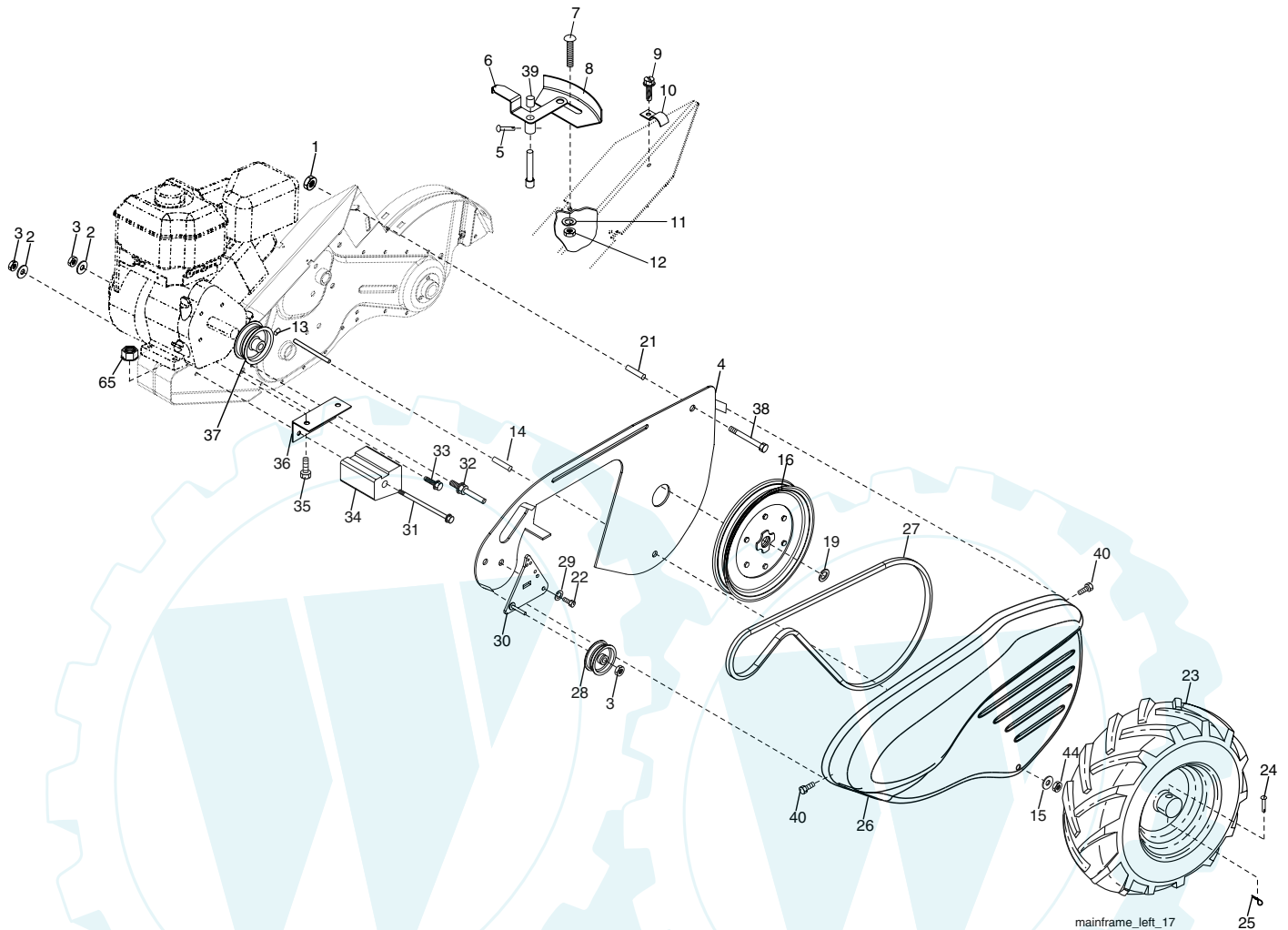
| KEY NO. | PART NO. | DESCRIPTION |
|---------|---------------|---------------------------------|
| 1 | 180634 | Control, Throttle |
| 2 | 9266R | Grip, Handle |
| 4 | 159228 | Bar Assembly, Control |
| 6 | 180678 | Panel, Control |
| 8 | 71191008 | Screw, Phd. #10-24 |
| 10 | 8206H | Grip, Handle |
| 11 | 4497H | Clip, Hairpin |
| 12 | 81328 | Bolt, Shoulder |
| 13 | 187497 | Handle, Shift |
| 14 | 109313X | Grommet, Rubber |
| 15 | 109337X | Rod, Shift |
| 16 | 72110608 | Bolt, Carriage 3/8-16 x 1 Gr. 5 |
| 17 | 109229X | Lock, Handle |
| 18 | 73680600 | Nut, Crownlock 3/8-16 unc |
| 19 | 19131611 | Washer 13/32 x 1 x 11 Ga. |
| 20 | 109228X | Lever, Lock, Handle |

| KEY NO. | PART NO. | DESCRIPTION |
|---------|------------|--|
| 21 | 180517X428 | Handle |
| 23 | 86777 | Screw, Hex Washer Hd. Slotted #10-24 x 1/2 |
| 24 | 9484R | Clip |
| 26 | 159231 | Cable, Clutch |
| 27 | 73900400 | Nut Hex Flange 1/4-20 unc |
| 29 | 73731000 | Nut, Keps #10-24 unc |
| 30 | 104164X | Tie, Cable |
| 31 | 150696 | Bolt, Pivot |
| 33 | 72140404 | Bolt, Carriage 1/4-20 unc x 1/2 |
| 37 | 102604X | Grip, Bar, Control |
| 41 | 102744X | Clamp, Bar, Control |

NOTE: All component dimensions given in U.S. inches.
1 inch = 25.4 mm

TILLER - - MODEL NUMBER PRRT65D

MAINFRAME, LEFT SIDE



| KEY NO. | PART NO. | DESCRIPTION |
|---------|----------|---|
| 1 | 73510500 | Nut, Keps 5/16-18 |
| 2 | 10040600 | Washer, Lock 3/8 |
| 3 | 73220600 | Nut, Hex 3/8-16 |
| 4 | 170127 | Shield, Inner Belt Guard RT |
| 5 | 164329 | Screw, Shift Lever |
| 6 | 110111X | Lever, Shift |
| 7 | 72110404 | Bolt, Carriage 1/4-20 x 1/2 Gr. 5 |
| 8 | 8700J | Plate, Shift Indicator |
| 9 | 86777 | Screw, Hex, Washer Head, Slotted #10-24 x 1/2 |
| 10 | 9484R | Clip |
| 11 | 10040400 | Washer, Lock 1/4 |
| 12 | 73220400 | Nut, Hex 1/4-20 |
| 13 | 23230506 | Screw, Set, Hex 5/16-18 x 3/8 |
| 14 | 156117 | Spacer, Split 0.327 x 0.42 x 1.220 |
| 15 | 19111116 | Washer 11/32 x 11/16 x 16 Ga. |
| 16 | 145102 | Sheave, Transmission |
| 19 | 12000028 | Retainer, Ring |
| 21 | 110652X | Spacer, Split 0.327 x 0.42 x 2.09 |
| 22 | 74770508 | Bolt, Fin Hex 5/16-24 UNF x 1/2 |
| 23 | 5015J | Tire |
| | 127259X | Rim |
| | 795R | Tire Valve |

| KEY NO. | PART NO. | DESCRIPTION |
|---------|-------------------|-----------------------------------|
| 24 | 126875X | Rivet, Drilled |
| 25 | 4497H | Clip, Hairpin |
| 26 | 165501X013 | Guard, Belt |
| 27 | 132801 | Belt, V |
| 28 | 104679X | Pulley, Idler |
| 29 | 12000032 | Ring, Klip |
| 30 | 159229 | Bracket, Idler |
| 31 | 102384X | Bolt, Hex 5/16-16 x 12 |
| 32 | 102141X | Shaft, Idler Arm |
| 33 | 74760616 | Bolt, Hex 3/8-16 x 1 |
| 34 | 102383X | Counterweight, L. H. |
| 35 | 74760528 | Bolt, Hex 5/16-18 x 1-3/4 |
| 36 | 102331X | Bracket, Reinforcement, L. H. |
| 37 | 130812 | Sheave, Engine |
| 38 | 74760544 | Bolt, Fin Hex 5/16-18 unc x 2-3/4 |
| 39 | 140062 | Cap, Plunger Blk |
| 40 | 170488 | Screw Hex Wsh Slit #10-24 x 1/2 |
| 44 | 73800500 | Nut Lock Hex w/Ins 5/16-18 unc PL |
| 65 | 73970500 | Nut Lock Hex Flange |

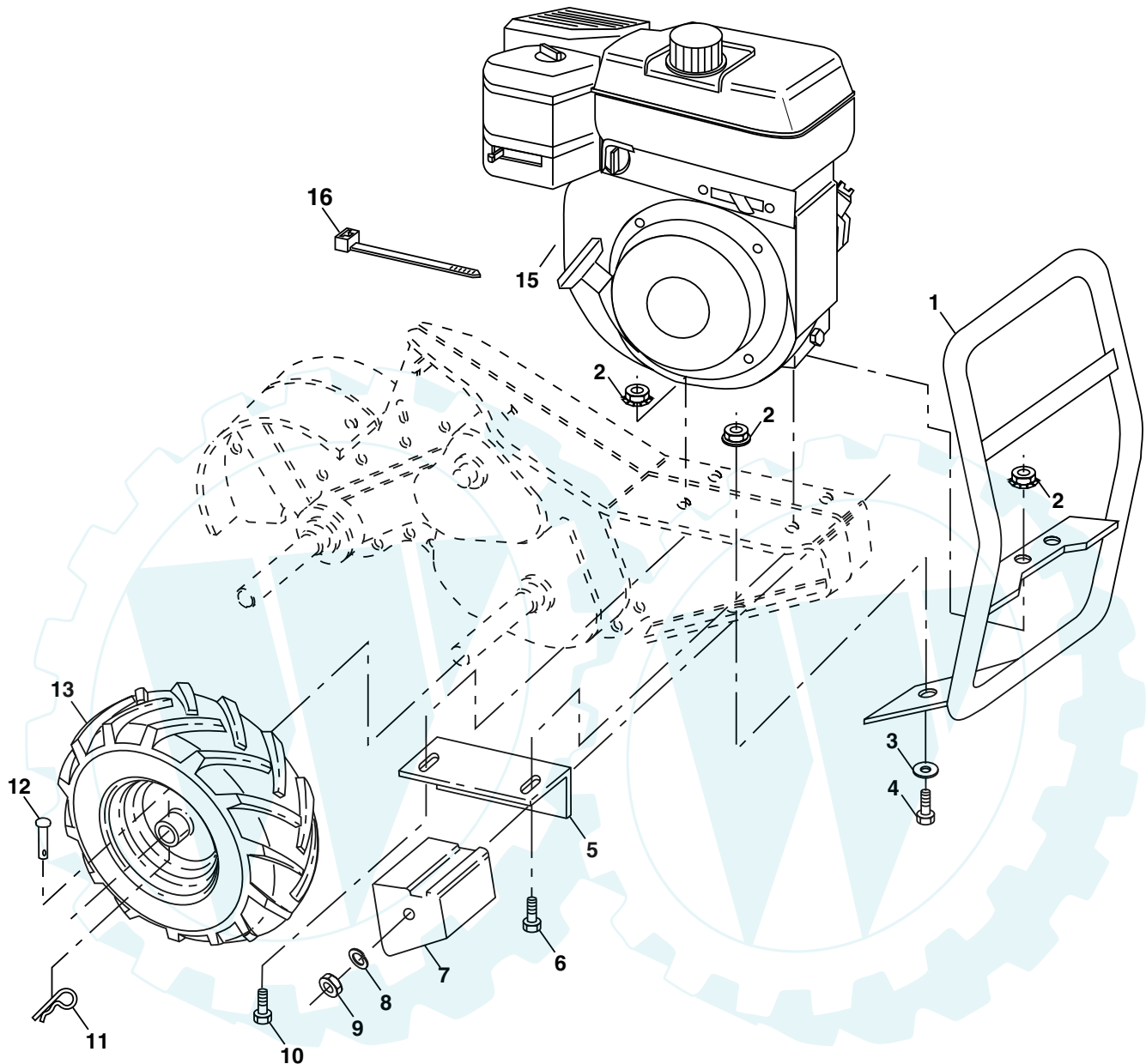
NOTE: All component dimensions given in U.S. inches. 1 inch = 25.4 mm

REPAIR PARTS

www.ersatzteil-service.de

TILLER -- MODEL NUMBER PRRT65D

MAINFRAME, RIGHT SIDE



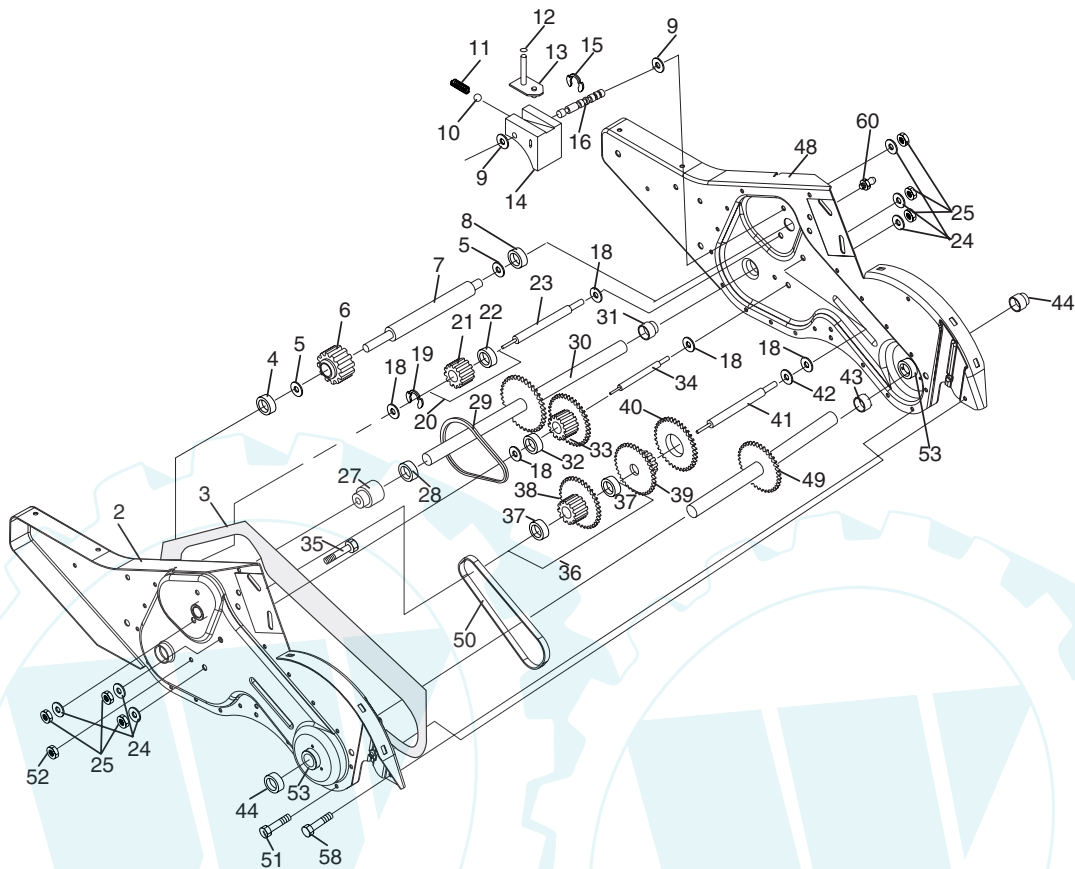
| KEY NO. | PART NO. | DESCRIPTION |
|---------|----------|-------------------------------|
| 1 | 185190 | Bumper |
| 2 | 73970500 | Locknut, Hex, Flange 5/16-18 |
| 3 | 19111116 | Washer 11/32 x 11/16 x 16 Ga. |
| 4 | 74760512 | Bolt, Hex 5/16-18 x 3/4 |
| 5 | 102332X | Bracket, Reinforcement |
| 6 | 74760528 | Bolt, Hex 5/16-18 x 1-3/4 |
| 7 | 102173X | Counter Weight, R.H. |
| 8 | 10040600 | Washer, Lock 3/8 |
| 9 | 73220600 | Nut, Hex 3/8-16 |
| 10 | 74760524 | Bolt, Hex 5/16-18 x 1-1/2 |
| 11 | 4497H | Clip, Hairpin |

| KEY NO. | PART NO. | DESCRIPTION |
|---------|----------|---|
| 12 | 126875X | Rivet, Drilled |
| 13 | 5015J | Tire |
| | 127259X | Rim |
| | 795R | Tire Valve |
| 15 | ----- | Engine, Briggs & Stratton Model No. 120302 (Order parts from engine manufacturer) |
| 16 | 7192J | Tie Cable |

NOTE: All component dimensions given in U.S.inches.
1 inch = 25.4 mm

TILLER - - MODEL NUMBER PRRT65D

TRANSMISSION



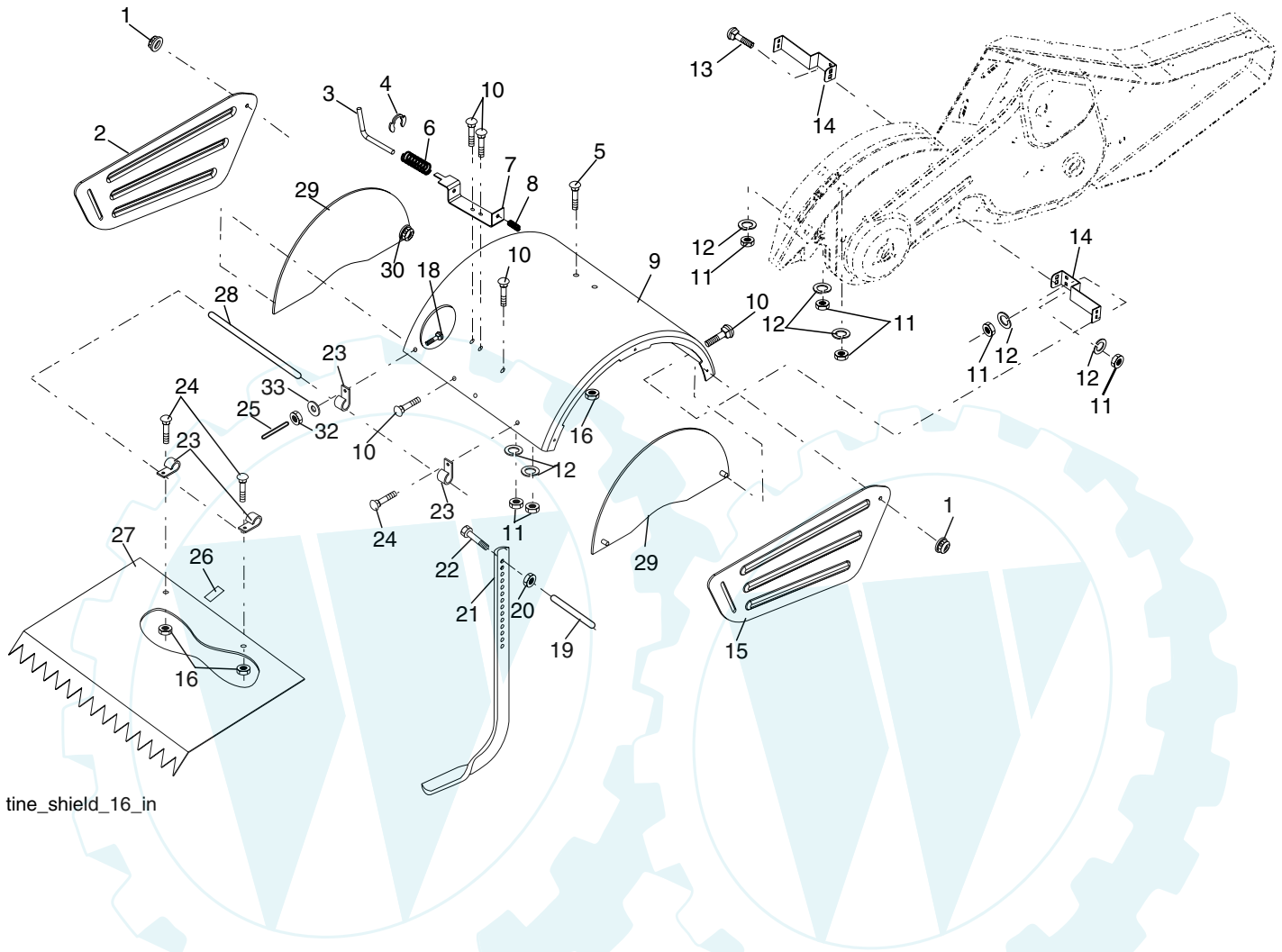
transmission_19.5b

| KEY NO. | PART NO. | DESCRIPTION | KEY NO. | PART NO. | DESCRIPTION |
|---------|---------------|---|---------|---------------|---|
| 1 | 188554 | Transmission Assembly (Includes Key Nos. 2-53) | 29 | 102134X | Chain #35-50 Pitch |
| 2 | 188482 | Gearcase, L.H. w/Bearing (Includes Key No. 4) | 30 | 150737 | Ground Shaft Assembly |
| 3 | 161963 | Gasket, Gearcase | 31 | 143008 | Bearing, Shaft, Ground Drive R.H. |
| 4 | 5020J | Bearing, Needle | 32 | 106388X | Spacer 0.70 x 1.00 x 1.150 |
| 5 | 1370H | Washer, Thrust 5/8 x 1.10 x 1/32 | 33 | 102121X | Sprocket and Gear Assembly |
| 6 | 137335 | Pinion, Input | 34 | 102112X | Shaft, Reduction (2nd) |
| 7 | 145101 | Shaft, Input | 35 | 102101X | Screw, Whiz, Lock 5/16-18 x 3-1/2 |
| 8 | 4895H | Bearing, Needle | 36 | 154355 | Sprocket Assembly w/Bearing (Includes Key Nos. 37 and 38) |
| 9 | 154467 | Washer, Seal | 37 | 4422J | Bearing, Needle |
| 10 | 7392M | Ball, Steel | 38 | 154356 | Sprocket, Tine |
| 11 | 100371K | Spring, Shift, Fork | 39 | 105345X | Gear, Cluster, Red 1st & 2nd |
| 12 | 106160X | O-Ring | 40 | 105346X | Gear, Reverse |
| 13 | 142145 | Asm. Bracket Shift | 41 | 8358J | Shaft, Reduction (1st) |
| 14 | 8353J | Fork, Shift | 42 | 4220R | Washer, Thrust |
| 15 | 12000039 | Ring, Klip | 43 | 106146X | Spacer 1.01 x 1.75 x 0.760 |
| 16 | 154466 | Shaft, Shift | 44 | 155236 | Seal Asm, Oil |
| 18 | 4358J | Washer | 48 | 188485 | Gearcase, R.H. w/Bearing (Includes Key No. 8) |
| 19 | 12000040 | Ring, Klip | 49 | 132688 | Shaft, Tine |
| 20 | 102114X | Gear, Assembly, Reverse Idler (Includes Key Nos. 21 and 22) | 50 | 106147X | Chain, Roller #50-50 Pitch |
| 21 | 102115X | Gear, Reverse Idler | 51 | 17720408 | Screw 1/4-20 x 1/2 |
| 22 | 6803J | Bearing, Needle | 52 | 73220500 | Nut, Hex 5/16-18 |
| 23 | 102111X | Shaft, Reverse Idler | 53 | 165140 | Kit, Bearing |
| 24 | 10040700 | Washer, Lock 7/16 | 58 | 179520 | Bolt Shoulder |
| 25 | 73610700 | Nut, Hex 7/16-20 | 60 | 183226 | Fitting Grease |
| 27 | 143009 | Bearing, Shaft, Ground Drive L.H. | -- | 6066J | Grease, Plastilube #1 |
| 28 | 106390X | Spacer 0.765 x 1.125 x 1.23 | | | |

NOTE: All component dimensions given in U.S. inches.
1 inch = 25.4 mm

TILLER - - MODEL NUMBER PRRT65D

TINE SHIELD



tine_shield_16_in

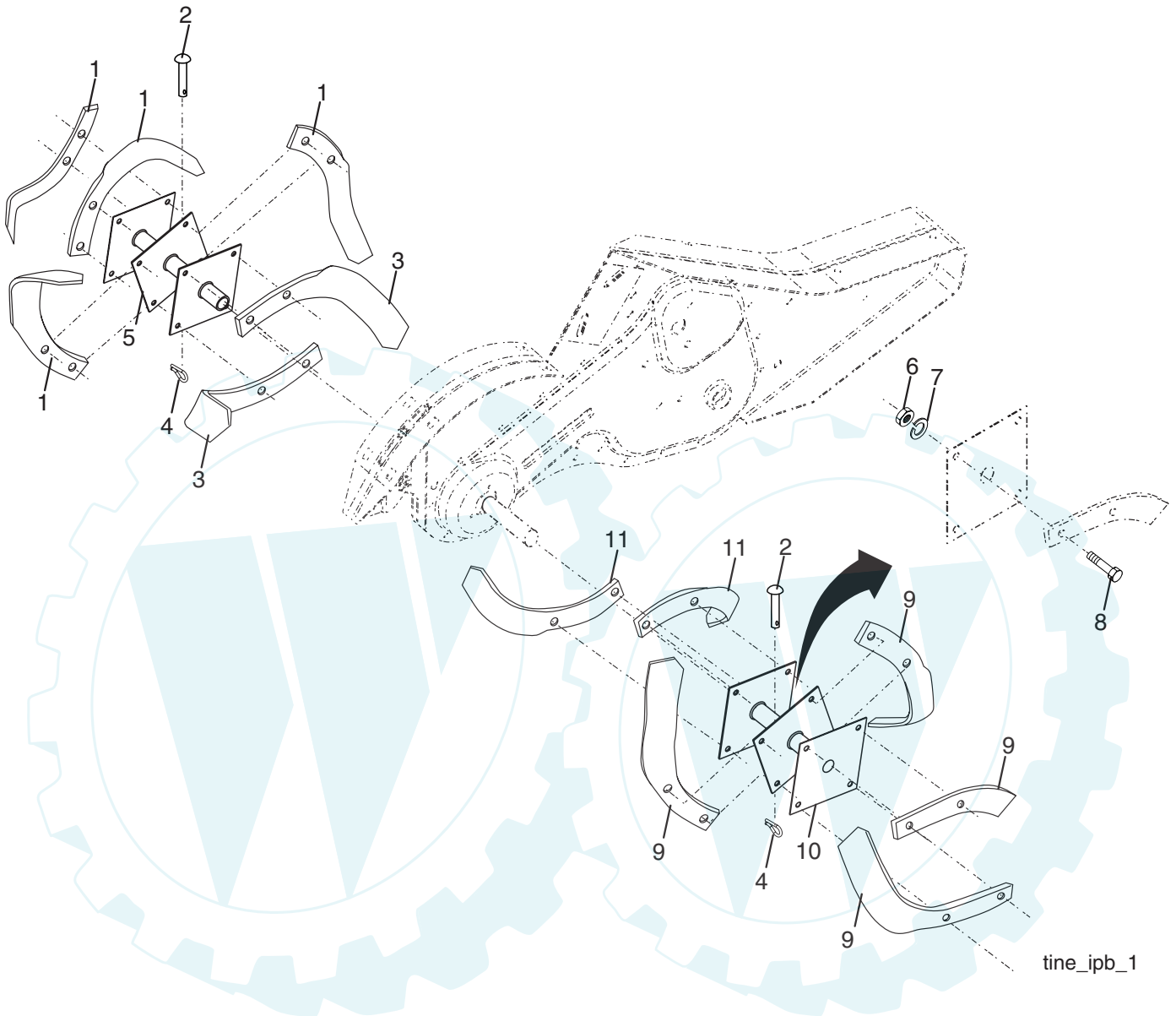
| KEY NO. | PART NO. | DESCRIPTION |
|---------|------------|-------------------------------------|
| 1 | 73900500 | Nut, Lock Hex Flange 5/16-18 |
| 2 | 161415X428 | Shield, Side, Outer L. H. |
| 3 | 8393J | Pin, Stake, Depth |
| 4 | 12000035 | Ring, Klip |
| 5 | 72140508 | Bolt 5/16-18 unc x 1 |
| 6 | 8394J | Spring |
| 7 | 8392J | Bracket, Latch |
| 8 | 109230X | Spring, Depth Stake |
| 9 | 124289X428 | Shield, Tine |
| 10 | 180847 | Bolt 5/16-18 x 3/4 ZNC |
| 11 | 73220500 | Nut, Hex 5/16-18 |
| 12 | 10040500 | Washer, Lock 5/16 |
| 13 | 72110510 | Bolt, Carriage 5/16-18 x 1-1/4 |
| 14 | 124311X | Bracket, Shield Tine |
| 15 | 161414X428 | Shield, Side, Outer R.H. |
| 16 | 73900400 | Nut, Hex Flange 1/4-20 unc |
| 18 | 72040410 | Bolt, Carriage 1/4-20 x 1-1/4 Gr. 5 |

| KEY NO. | PART NO. | DESCRIPTION |
|---------|------------|-----------------------------------|
| 19 | 102701X | Grip |
| 20 | 73220600 | Nut, Hex 3/8-16 |
| 21 | 102156X | Stake, Depth |
| 22 | 74930632 | Bolt, Hex 3/8-16 x 2 |
| 23 | 4440J | Hinge |
| 24 | 72140404 | Bolt, Carriage 1/4-20 x 1/2 Gr. 5 |
| 25 | 6712J | Cap, Vinyl |
| 26 | 109227X | Pad, Idler |
| 27 | 102695X428 | Shield, Leveling |
| 28 | 120588X | Pin, Hinge |
| 29 | 124309X428 | Shield, Side |
| 30 | 73970500 | Locknut, Flange 5/16-18 |
| 32 | 73220400 | Nut Fin Hex 1/4-20 unc |
| 33 | 10040400 | Washer Lock Hvy Helical 1/4 |

NOTE: All component dimensions given in U.S. inches.
1 inch = 25.4 mm

TILLER - - MODEL NUMBER PRRT65D

TINE ASSEMBLY



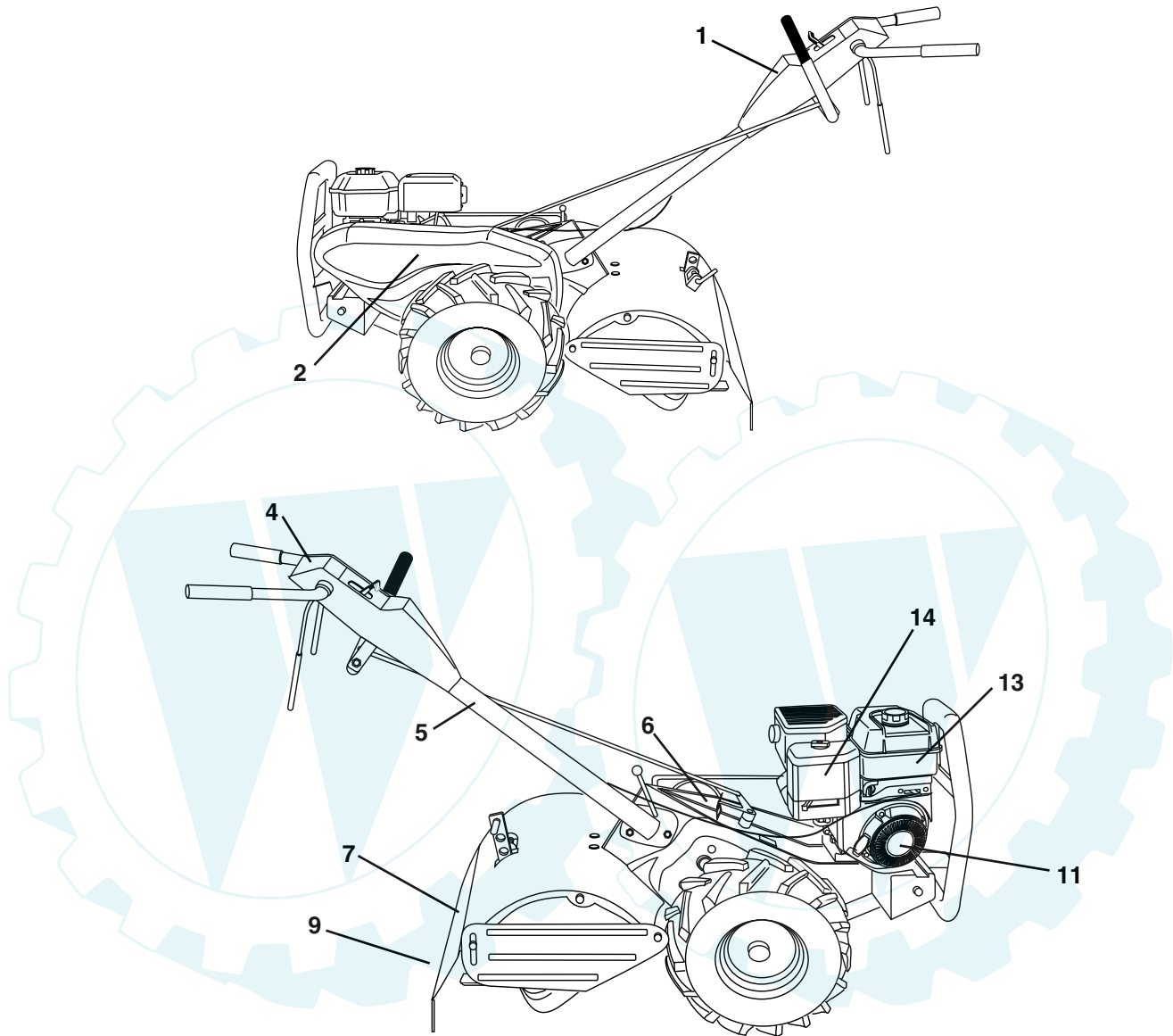
| KEY NO. | PART NO. | DESCRIPTION |
|---------|----------|-------------------------------|
| 1 | 4459J | Tine, Outer, L.H. |
| 2 | 132673 | Clevis Pin |
| 3 | 6554J | Tine, Inner, L.H. |
| 4 | 3146R | Retainer, Spring Zinc |
| 5 | 132727 | Assembly, Hub and Plate, L.H. |
| 6 | 73610600 | Nut, Hex 3/8-24 |
| 7 | 10040600 | Washer, Lock 3/8 |

| KEY NO. | PART NO. | DESCRIPTION |
|---------|----------|-------------------------------|
| 8 | 74610616 | Bolt, Hex 3/8-24 x 1 |
| 9 | 4460J | Tine, Outer, R.H. |
| 10 | 132728 | Assembly, Hub and Plate, R.H. |
| 11 | 6555J | Tine, Inner, R.H. |

NOTE: All component dimensions given in U.S. inches.
1 inch = 25.4 mm

TILLER -- MODEL NUMBER PRRT65D

DECALS



| KEY NO. | PART NO. | DESCRIPTION |
|---------|---------------|--------------------------------|
| 1 | 173196 | Decal, CNTRL PNL |
| 2 | 189872 | Decal, Decal, Bit Grd |
| 4 | 180816 | Decal, Instruction, Tilling |
| 5 | 110614X | Decal, Hand Placement |
| 6 | 102180X | Decal, Shift Indicator |
| 7 | 162384 | Decal, caution |
| 9 | 120076X | Decal, Warning, Rotating Tines |
| 11 | 173538 | Decal, Rewind |
| 13 | 173698 | Decal, B&S Tank |
| 14 | 173248 | Decal, B&S Air Cleaner |
| -- | 188904 | Manual, Owner's (English) |
| -- | 188905 | Manual, Owner's (French) |