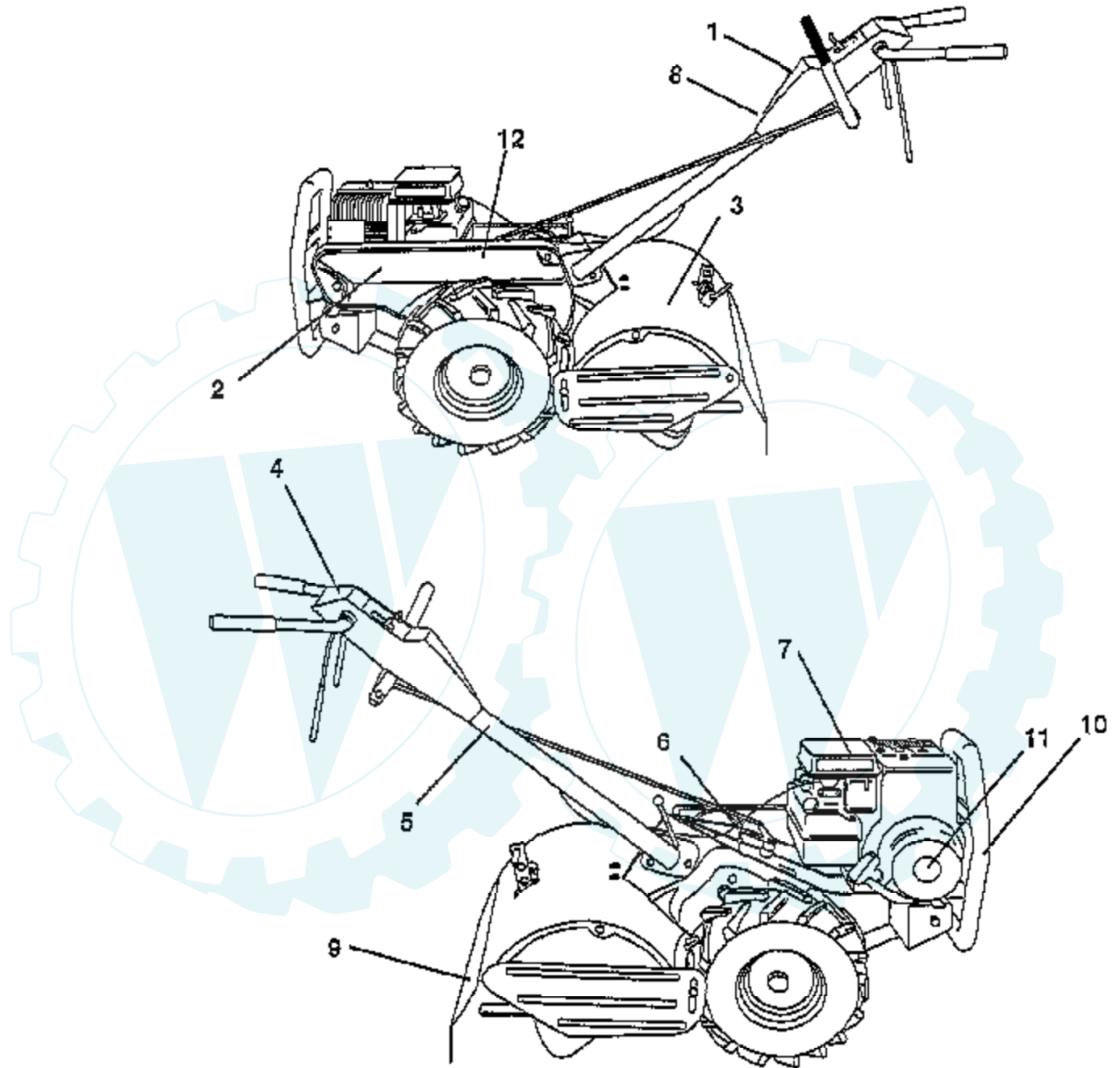
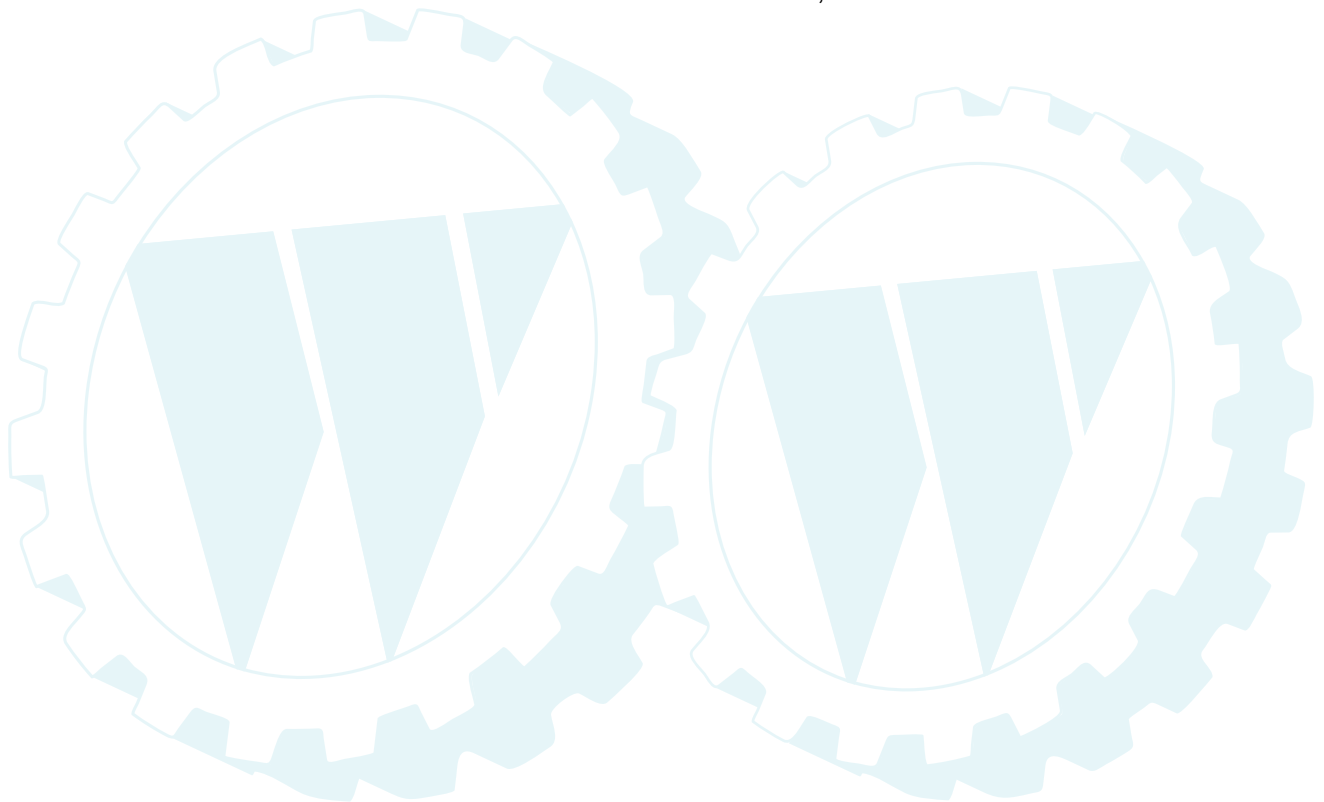


# TILLER - MODEL NO. PPRT55A, PRODUCT NO. 954 19 00-02

## DECALS

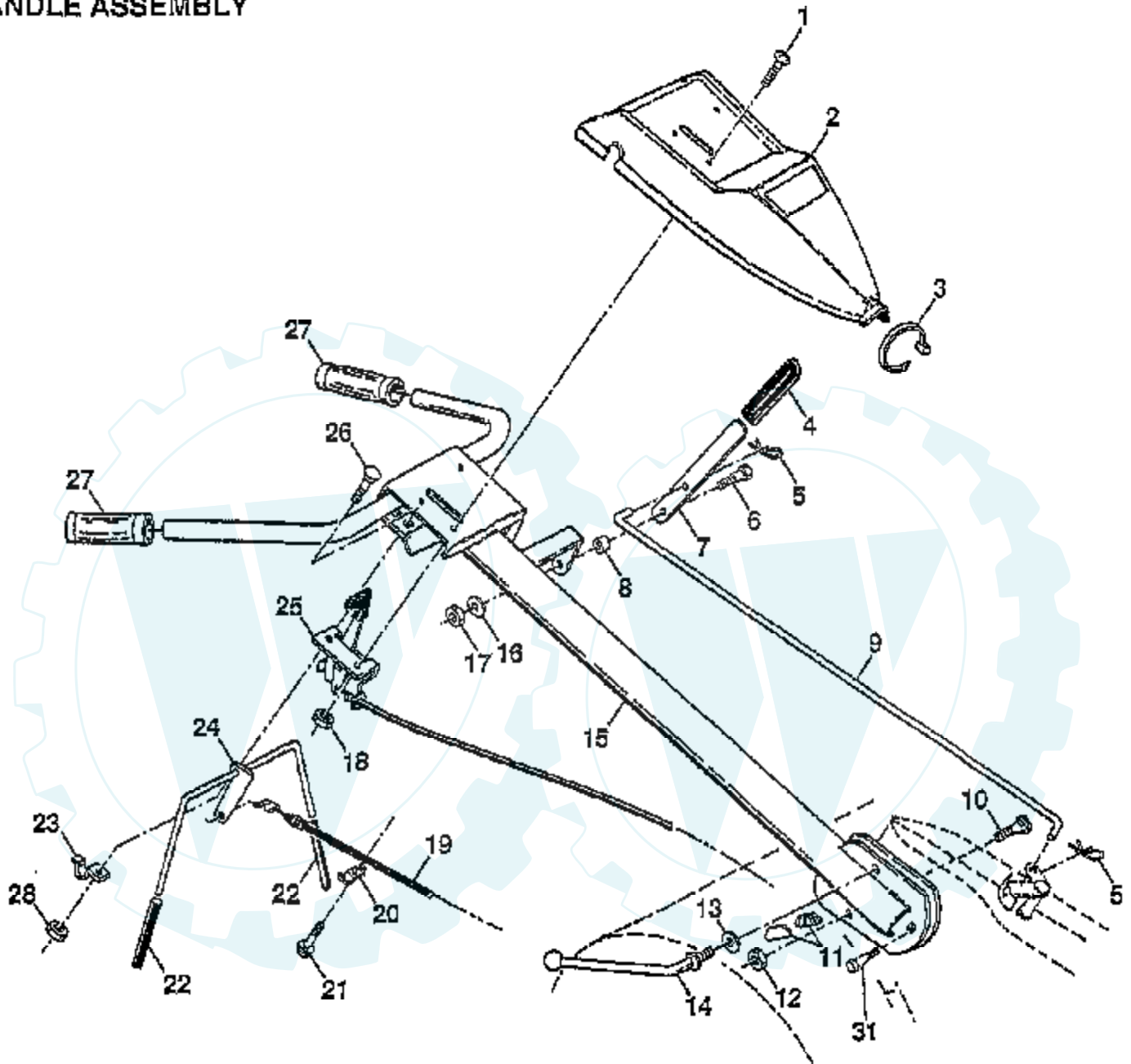


Ref #	Part Number	Qty	Description
1	157850		DECAL, LOGO
2	157849		DECAL.FENDER.BELT.GUARD
3	157853		DECAL, LOGO
4	136942		DECAL.INSTRUCTION
5	110614		DECAL HAND PLACEMENT
6	104323		DECAL, SHIFT INDICATOR
7	110612		SUB= 110612X
8	157851		DECAL, CONTROL PANEL
9	120076		DECAL WARNING ROTATING TINES
10	157852		DECAL, BUMPER/GRILLE
11	158039		DECLA ENGINE
12	150496		RETAINER-SPRING
	157565		MANUAL.O.PPRT55A
	157566		MANUAL, OWNER'S FRENCH



# TILLER - MODEL NO. PPRT55A, PRODUCT NO. 954 19 00-02

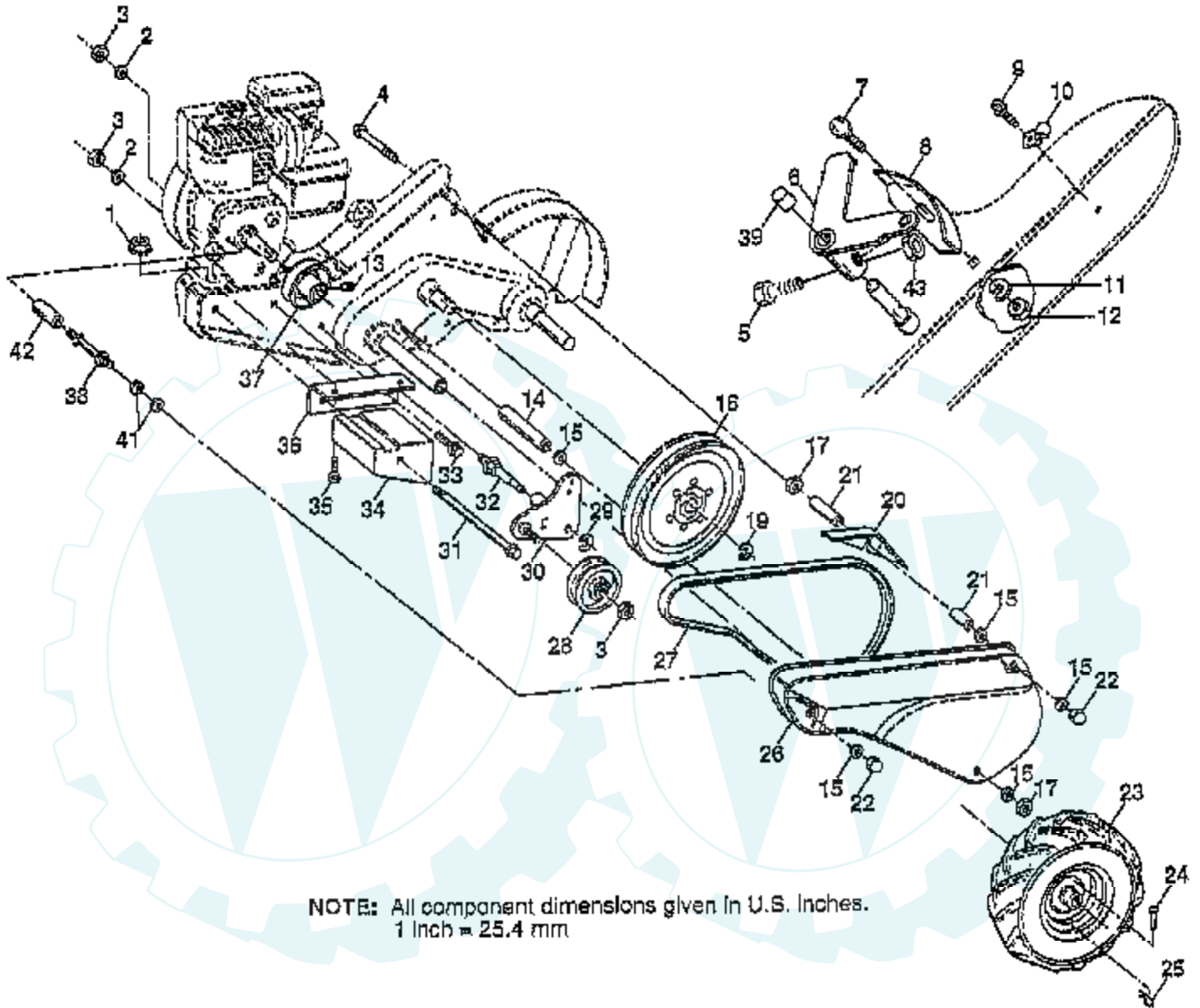
## HANDLE ASSEMBLY



**NOTE:** All component dimensions given in U.S. inches.  
1 Inch = 25.4 mm

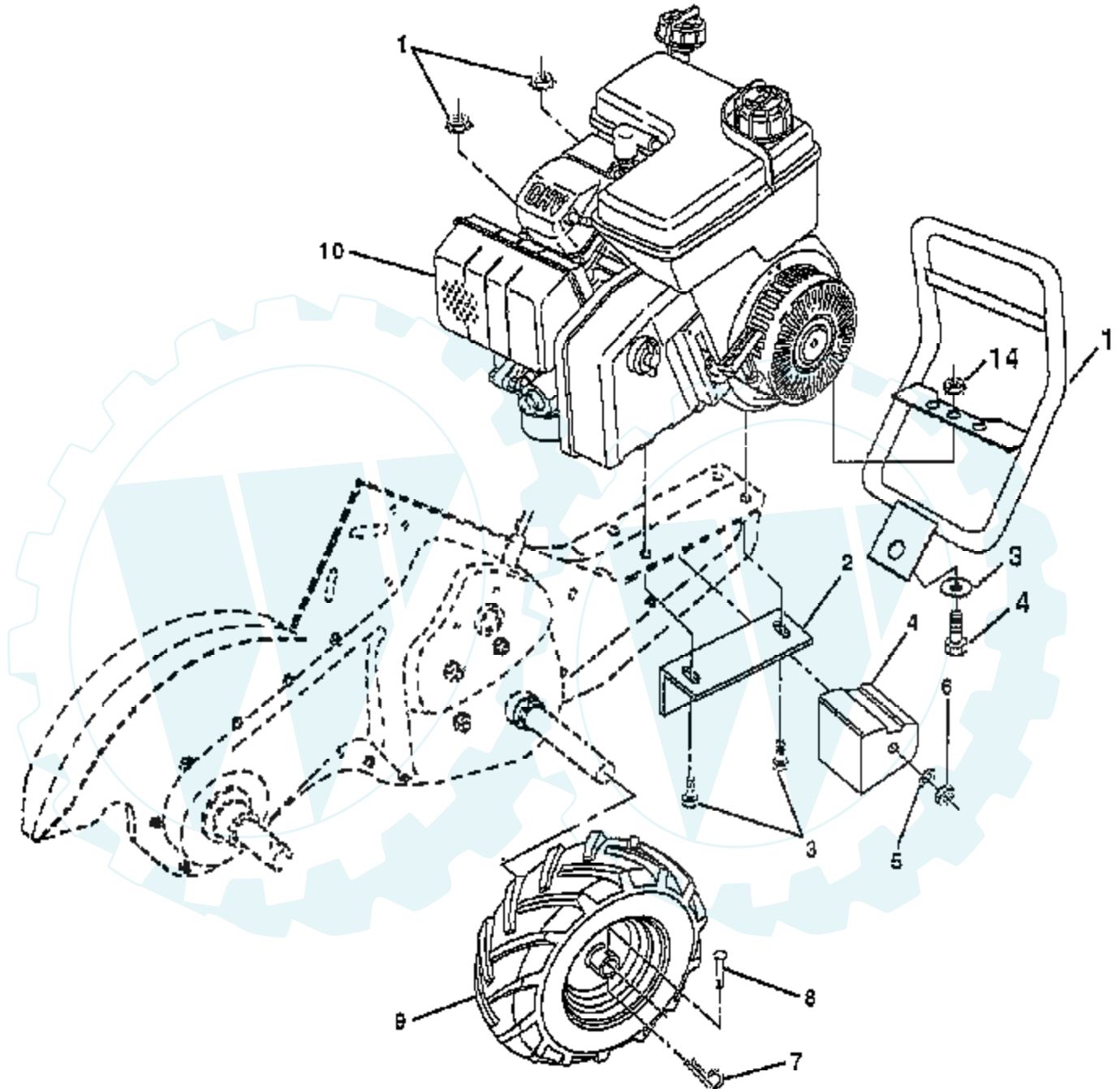
Ref #	Part Number	Qty	Description
1	71191008		SCREW.PNHD.10-24
2	126951		PANEL, CONTROL
3	104164		TIE, CABLE
4	124797X		GRIP HANDLE
5	124788X		SUB= 4497H
6	81328		SHOULDER BOLT ST
7	109335		SUB= 109335X
8	109313		GROMMET, RUBBER
9	109337		ROD SHIFT
10	72110608		BOLT D
11	109229		LOCK, HANDLE
12	73930600		LOCKNUT
13	19131611		WASHER CRT
14	109228		LEVER, LOCK HANDLE
15	150256		SUB= 150256X431
16	10040400		LOCKWASHER
17	73220400		SUB= 50675
18	73731000		NUT
19	147668		CABLE.CLUTCH.48.Z
20	9484R		CONDIUT CLIP T
21	86777		SUB= 750097
22	102604		GRIP BAR CONTROL
23	102744		CLAMP BAR CONTROL
24	105216		BAR ASSEMBLY CONTROL
25	127012		CONTROL THROTTLE
26	72140404		BOLT
27	9266R		SUB= 624A78
28	73510400		NUT
31	150696		BOLT PIVOT

**TILLER - MODEL NO. PPRT55A, PRODUCT NO. 954 19 00-02**  
**MAINFRAME, LEFT SIDE**



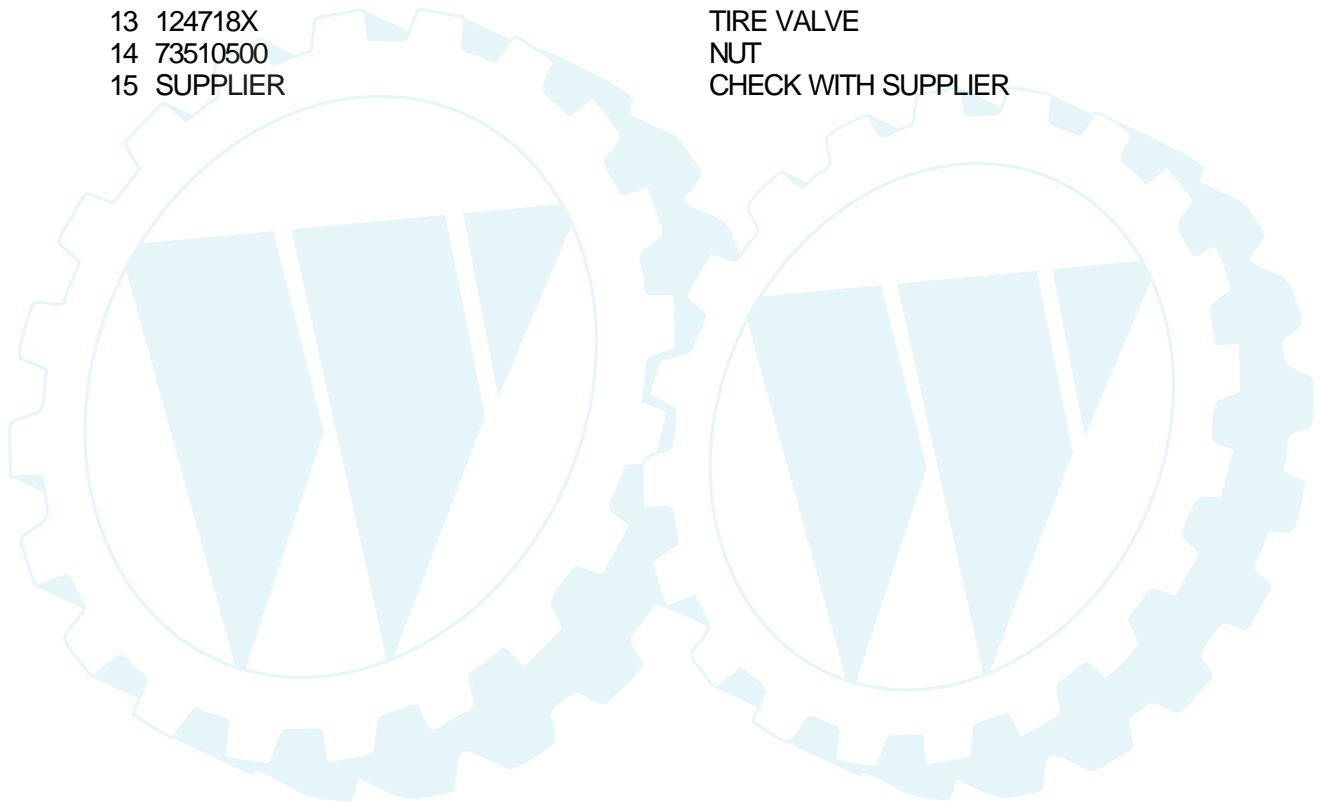
Ref #	Part Number	Qty	Description
1	73510500		NUT
2	10040600		LOCKWASHER
3	73220600		NUT.HEX.3/8-16UNC
4	74930568		BOLT TI
5	154734		"SCREW-LEVER,SHI"
6	110111		LEVER SHIFT
7	72110404		BOLT
8	8700J		PANEL TI
9	86777		SUB= 750097
10	9484R		CONDIUT CLIP T
11	10040400		LOCKWASHER
12	73220400		SUB= 50675
13	23230506		SET SCREW
14	120938		SPACER, SPLIT
15	19111116		WASHER
16	145102X		SHEAVE, TRANSMISSION
17	73220500		NUT.HEX.5/16-18
19	12000028		SUB= 2267J
20	110653		GUARD, PINCH POINT
21	145216X		SPACER SPLIT
22	104214		NUT CAP
23	5015J		TIRE TI
23	124366X		SUB= 128952
23	124718X		TIRE VALVE
24	126875		RIVET DRILLED
25	124788X		SUB= 4497H
26	125408X		GUARD BELT
27	132801		BELT-V
28	104679		PULLEY, IDLER
29	12000032		KLIP RING
30	105611		BRACKET, IDLER
31	102384		BOLT, HEX
32	102141		SHAFT, IDLER ARM
33	74760616		BOLT
34	102383		COUNTERWEIGHT
35	74760532		BOLT
36	102331		BRACKET, REINFORCEMENT
37	130812		ENGINE PULLEY
38	145822		STUD.GUARD.BELT
39	140062		CAP PLUNGER BLACK
41	19111610		WASHER
42	151004		SPACER
43	69180		LOCKNUT

**TILLER - MODEL NO. PPRT55A, PRODUCT NO. 954 19 00-02**  
**MAINFRAME, RIGHT SIDE**



**NOTE:** All component dimensions given in U.S.inches.  
1 Inch = 25.4 mm

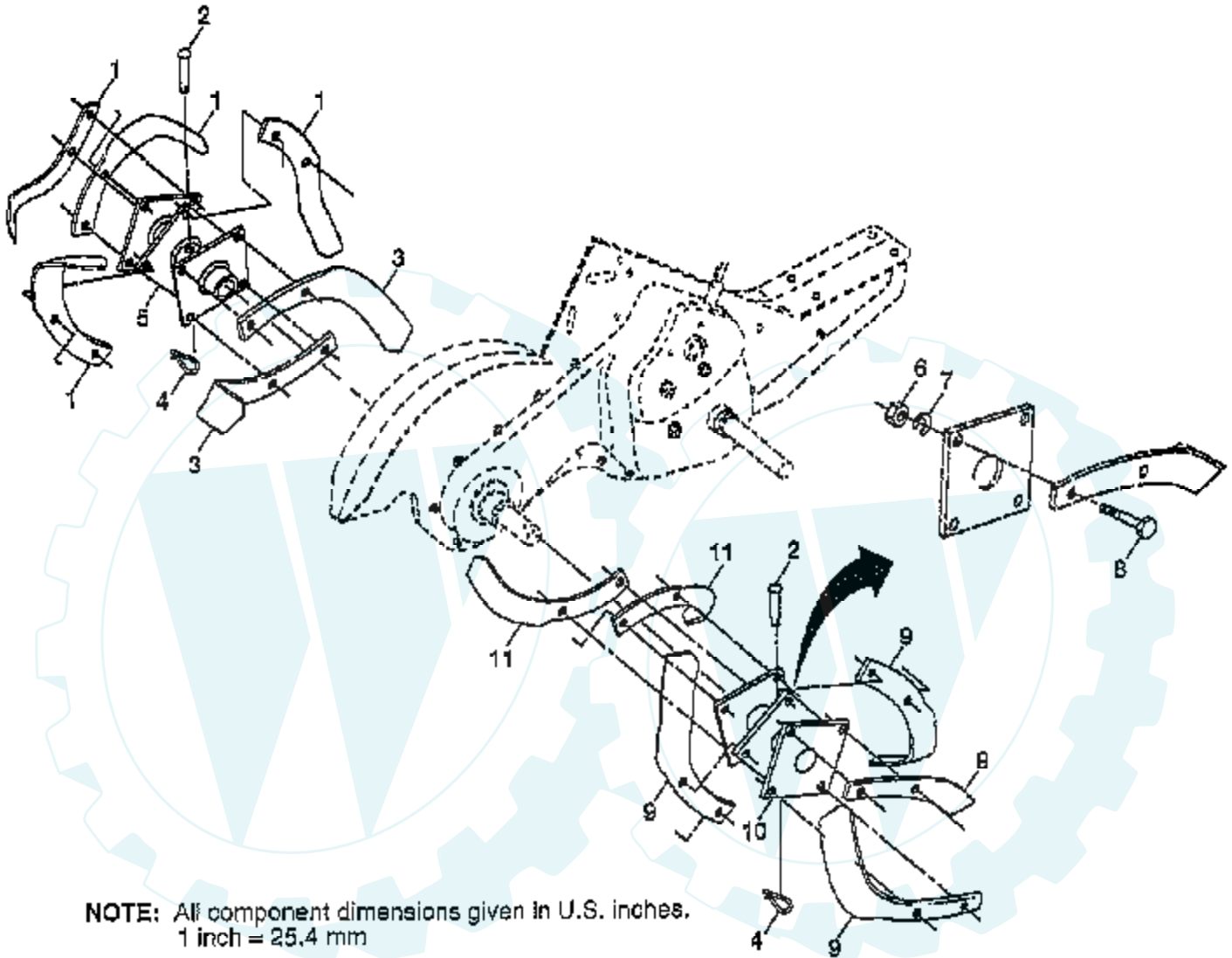
Ref #	Part Number	Qty	Description
1	157976		BUMPER
2	73970500		LOCKNUT T1
3	19111116		WASHER
4	74760512		BOLT
5	102332		BRKT REINFORCEMENT
6	74760532		BOLT
7	102173		COUNTER WEIGHT
8	10040600		LOCKWASHER
9	73220600		NUT.HEX.3/8-16UNC
10	74760524		BOLT.HEX.5/16-1.5
11	124788X		SUB= 4497H
12	126875		RIVET DRILLED
13	5015J		TIRE T1
13	124366X		SUB= 128952
13	124718X		TIRE VALVE
14	73510500		NUT
15	SUPPLIER		CHECK WITH SUPPLIER





**TILLER - MODEL NO. PPRT55A, PRODUCT NO. 954 19 00-02**

**TINE ASSEMBLY**

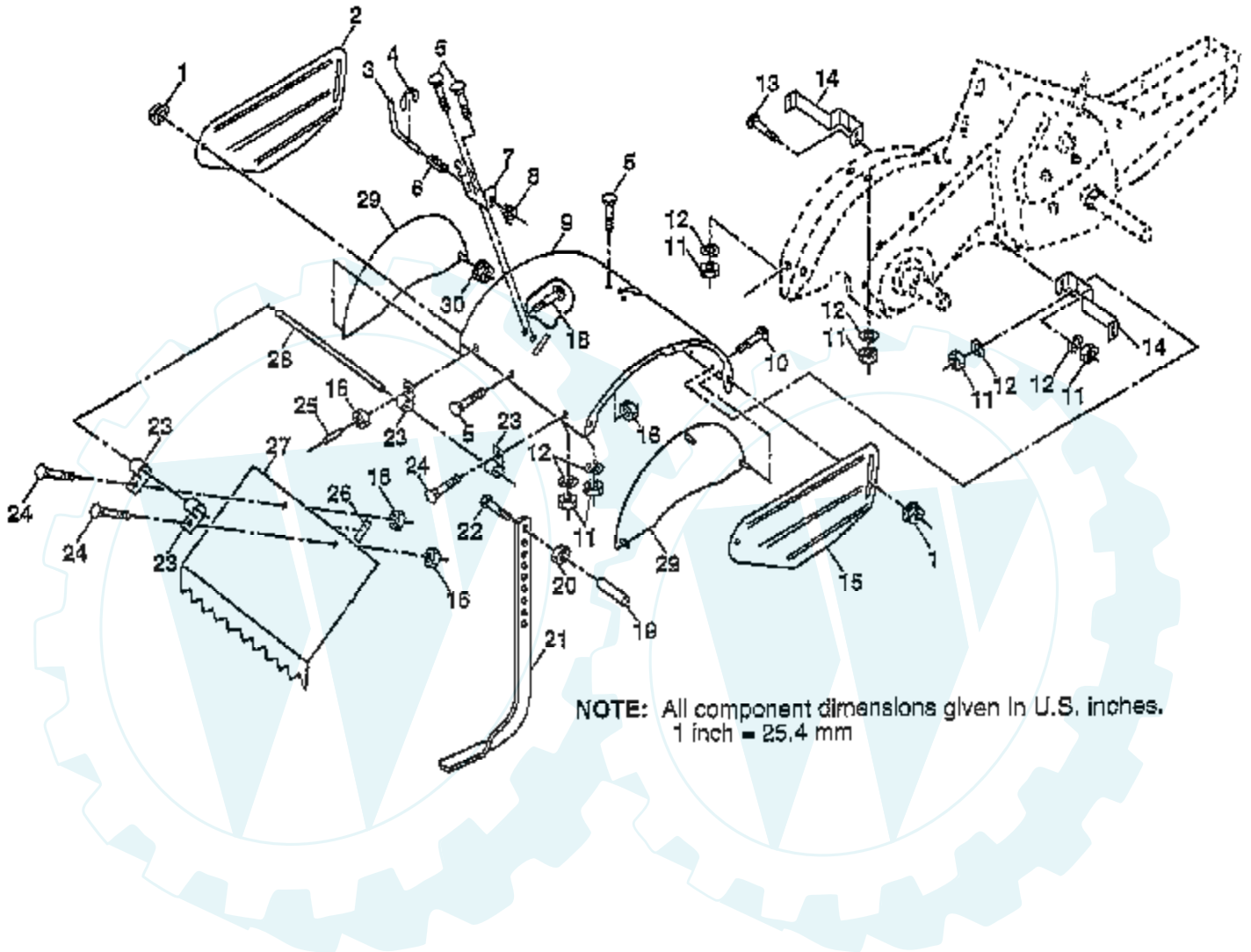


Ref #	Part Number	Qty	Description
1	4459J		SUB= 6554J
2	132673		PIN.CLEVIS.SHEAR
3	6554J		"TINE.LH.12""
4	124660X		CLIP HAIRPIN
5	132727		HUB&PLATE ASM LH
6	73610600		SUB= 7810H
7	10040600		LOCKWASHER
8	74610616		BOLT
9	4460J		SUB= 6555J
10	132728		HUB&PLATE ASM RH
11	6555J		"TINE.RH.12""



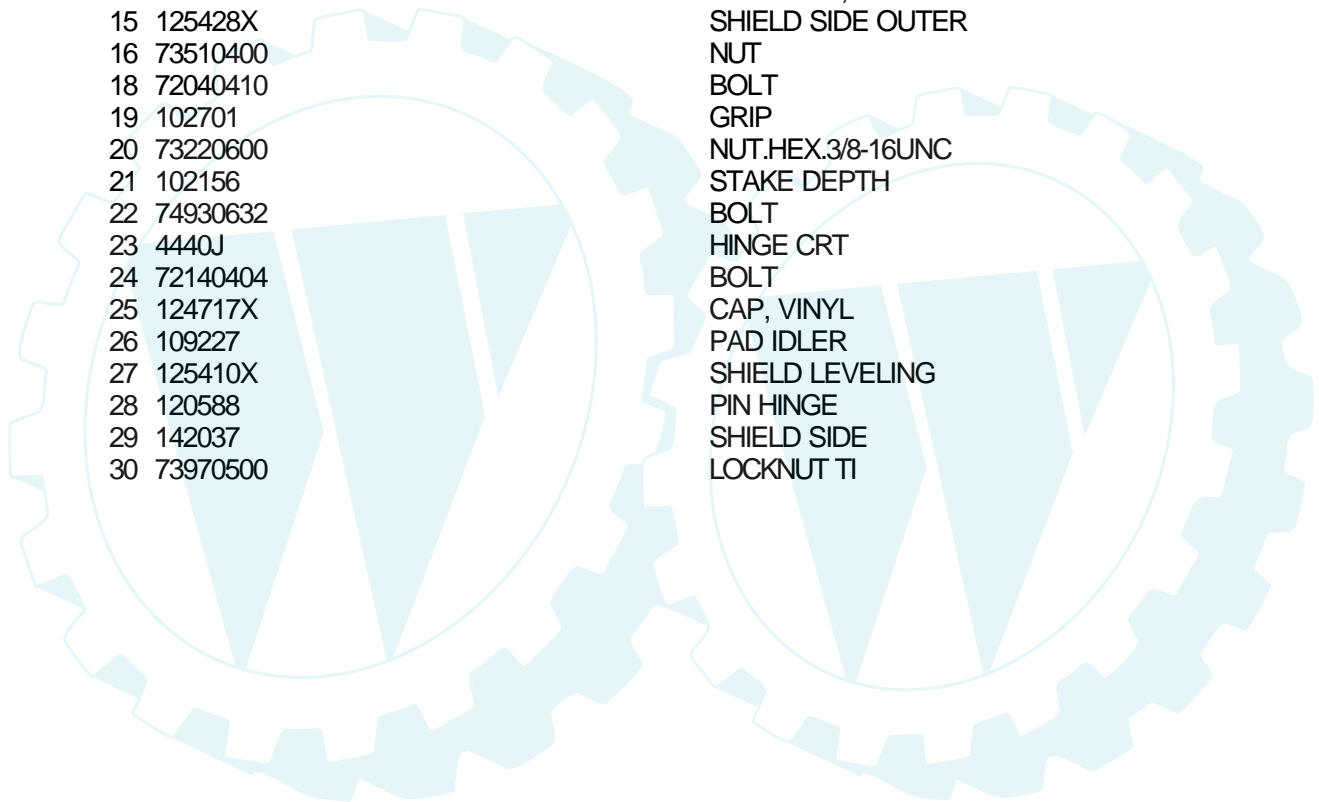
**TILLER - MODEL NO. PPRT55A, PRODUCT NO. 954 19 00-02**

**TINE SHIELD**

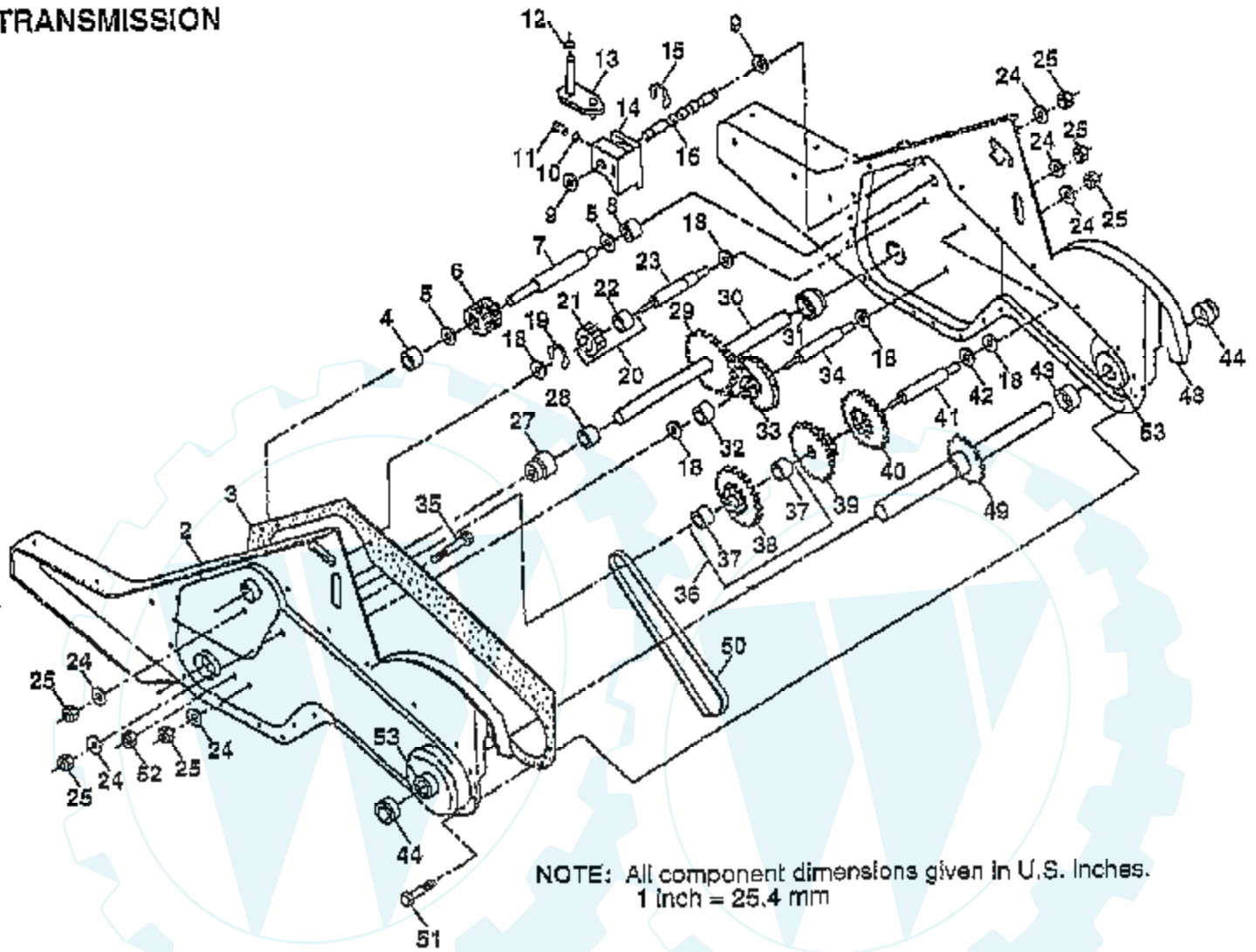


**NOTE:** All component dimensions given in U.S. inches.  
1 inch = 25.4 mm

Ref #	Part Number	Qty	Description
1	98000129		NUT
2	125427X		SHIELD SIDE OUTER
3	8393J		STAKE PIN TI
4	12000036		KLIP RING TI
5	72140506		BOLT
6	8394J		SPRING TI
7	8392J		LATCH BRACKET TI
8	109230		SPRING DEPTH STAKE
9	142036		SHIELD TINE
10	72140508		BOLT
11	73220500		NUT.HEX.5/16-18
12	10040500		LOCKWASHER
13	72110510		BOLT
14	124311X		"BRACKET,SHIELD"
15	125428X		SHIELD SIDE OUTER
16	73510400		NUT
18	72040410		BOLT
19	102701		GRIP
20	73220600		NUT.HEX.3/8-16UNC
21	102156		STAKE DEPTH
22	74930632		BOLT
23	4440J		HINGE CRT
24	72140404		BOLT
25	124717X		CAP, VINYL
26	109227		PAD IDLER
27	125410X		SHIELD LEVELING
28	120588		PIN HINGE
29	142037		SHIELD SIDE
30	73970500		LOCKNUT TI



# TILLER - MODEL NO. PPRT55A, PRODUCT NO. 954 19 00-02 TRANSMISSION



NOTE: All component dimensions given in U.S. Inches.  
1 inch = 25.4 mm

Ref #	Part Number	Qty	Description
1	154354		SUB= 165805
2	150698		GEARCASE LH W/BRG
3	106211		GASKET, GEARCASE
4	5020J		NEEDLE BRNG LT
5	1370H		"T, BEARING"
6	137335		GEAR PINION INPUT
7	145101		"SHAFT.INPUT."D""
8	124792X		BEARING NEEDLE
9	154467		WASHER SEAL
10	124697X		BALL, STEEL
11	100371		SPRING SHIFT FORK
12	106160		O-RING
13	142145		BRACKET ASM SHIFT
14	8353J		SHIFT FORK TI
15	12000039		KLIP RING
16	154466		SHAFT.SHIFTER
18	4358J		WASHER
19	12000040		KLIP RING
20	102114		GEAR ASSEMBLY
21	102115		GEAR REVERSE IDLER
22	6803J		NEEDLE BEARING TI
23	102111		SHAFT, REVERSE IDLER
24	10040700		LOCKWASHER
25	73610700		NUT.ASF.HEX.7/16
27	143009		BEARING.SHAFT.LH.
28	106390		SPACER
29	102134		CHAIN
30	150737		GROUND SHAFT ASSY
31	143008		BEARING.SHAFT.RH.
32	106388		SPACER
33	102121		SPROCKET AND GEAR ASSEMBLY
34	102112		SHAFT REDUCTION
35	102101		SCREW WHIZ LOCK
36	154355		SPROCKET.ASM.W/BR
37	124791X		BEARING NEEDLE
38	154356		SUB= 154355
39	105345		GEAR CLUSTER RED 1ST AND 2ND
40	105346		GEAR REVERSE
41	8358J		REDUCTION SHFT TI
42	4220R		BRNG RACE
43	106146		SPACER
44	155236		SEAL ASM-OIL
48	150700		GEARCASE RH W/BRG
49	132688		TINE SHAFT
50	106147		CHAIN ROLLER
51	17720408		SCREW
52	73220500		NUT.HEX.5/16-18
53	122204		KIT BEARING
	6066J		GREASE PREMIUM-1