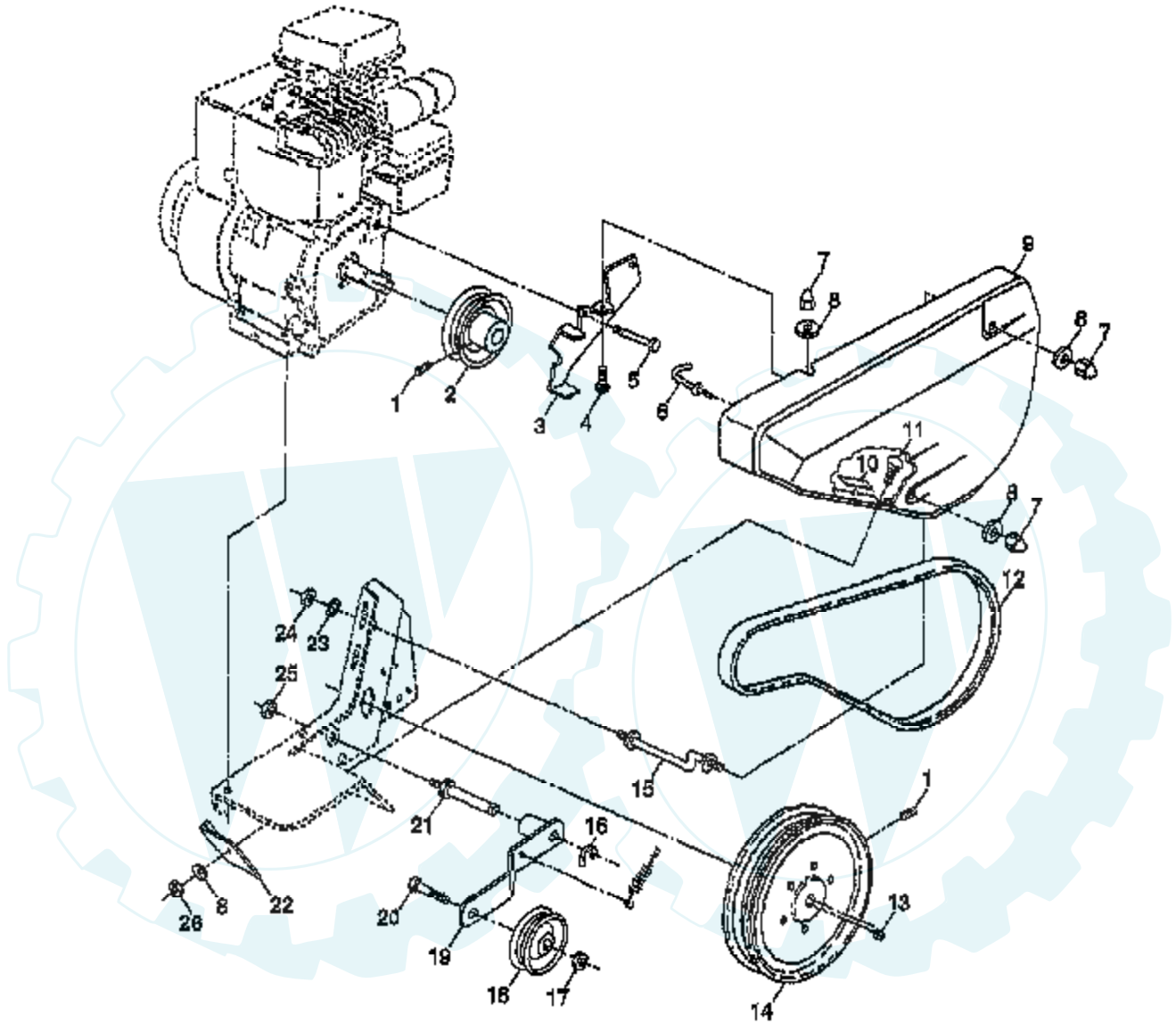
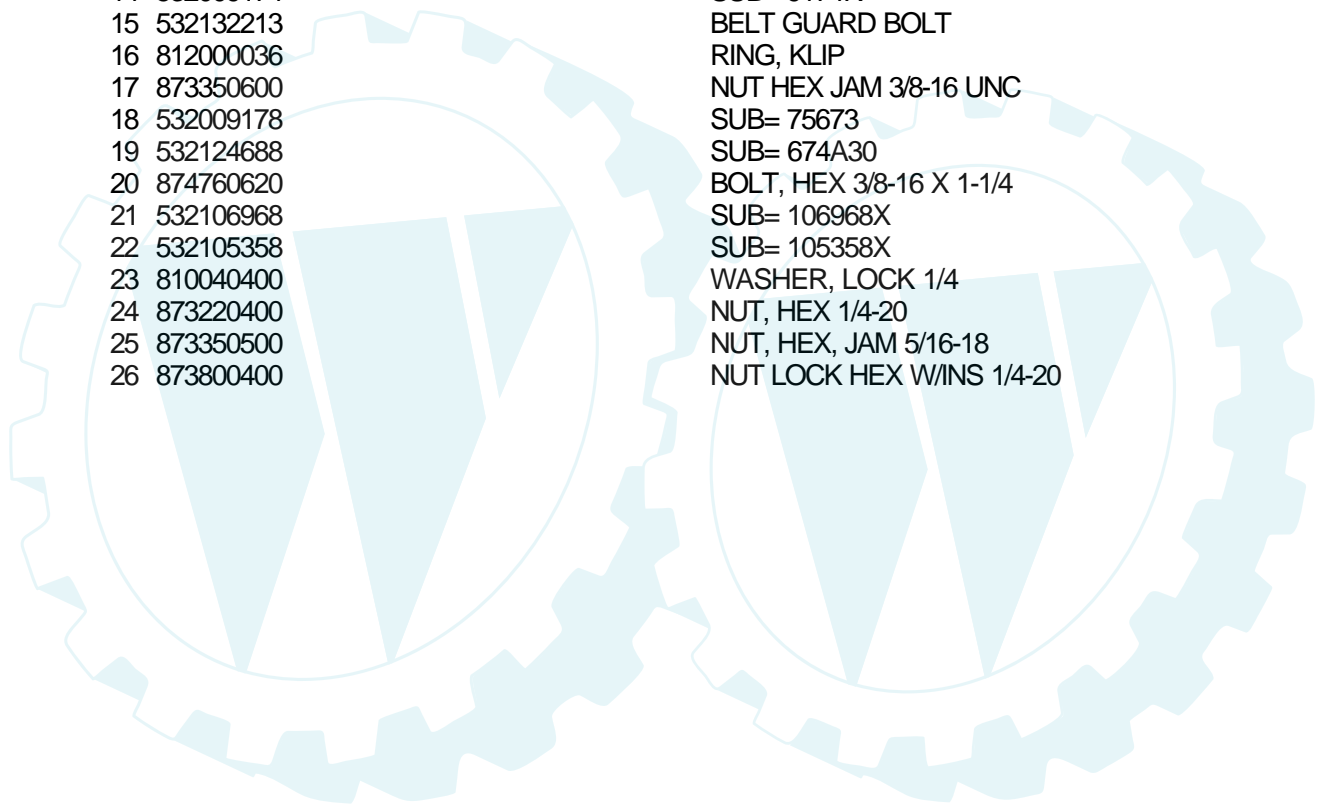


3 HP 17" TILLER - - MODEL NO. PPFT3, PRODUCT NO. 954 00 82-01(PPFT3C) BELT GUARD AND PULLEY ASSEMBLY

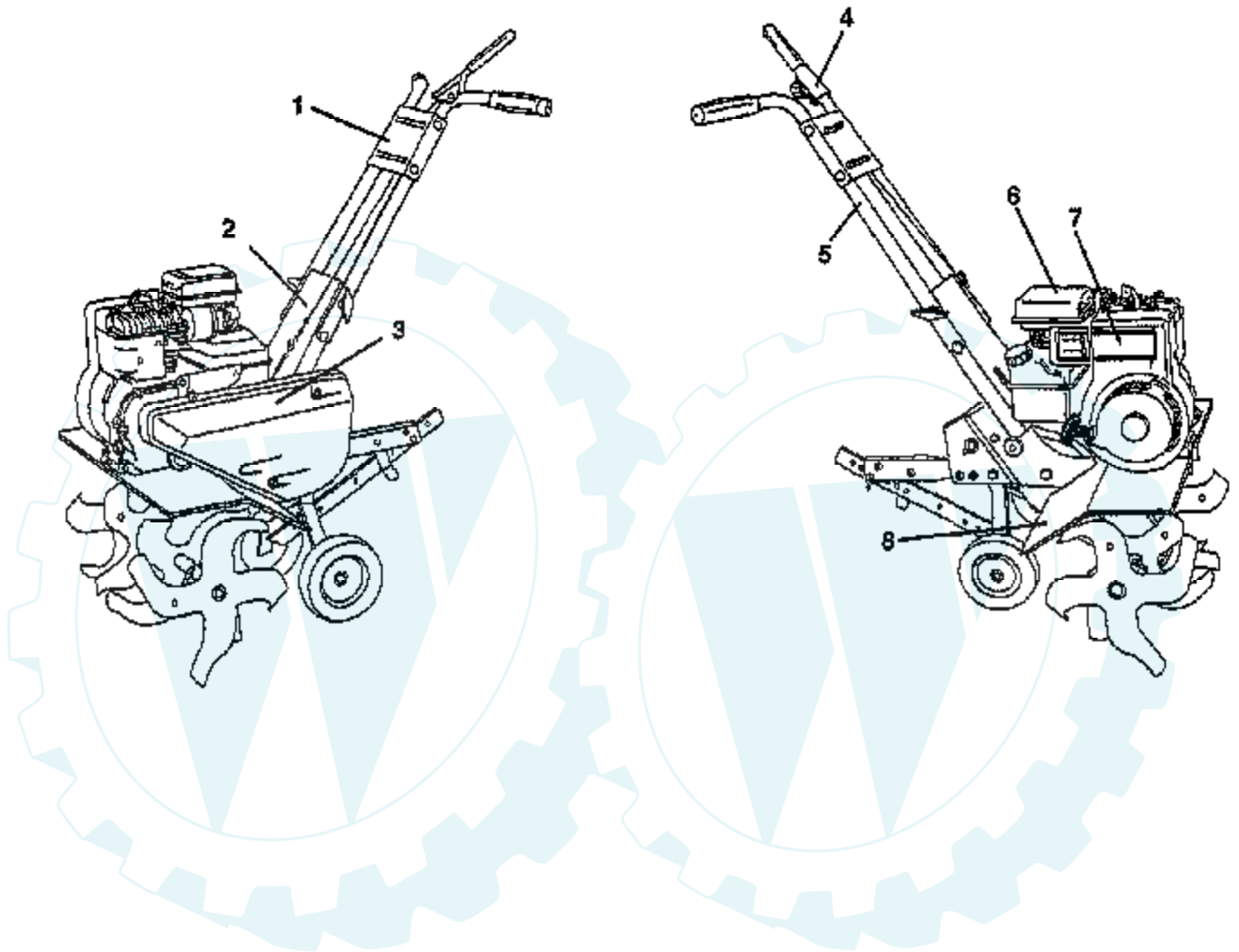


NOTE: All component dimensions given in U.S. inches.
1 inch = 25.4 mm

Ref #	Part Number	Qty	Description
1	823230506		SCREW, SET FORGED SOCKET, HEADLESS 5/16-18X3/8
2	532130811		ENGINE PULLEY
3	532122955		SUB= 122955X
4	872140404		BOLT, CARRIAGE 1/4-20X3/4
5	874770812		BOLT, HEX 1/2-20X3/4
6	532121463		SUB= 121463X
7	532104213		SUB= 104213X
8	819091016		WASHER 9/32 X 5/8 X 16 GA.
9	532125342		SUB= 131157X421
10	532109227		SUB= 109227X
11	872140406		BOLT, CARRIAGE 1/4-20 X 3/4
12	532009179		SUB= TH3H390
13	532002649		SUB= 2649M
14	532009174		SUB= 9174R
15	532132213		BELT GUARD BOLT
16	812000036		RING, KLIP
17	873350600		NUT HEX JAM 3/8-16 UNC
18	532009178		SUB= 75673
19	532124688		SUB= 674A30
20	874760620		BOLT, HEX 3/8-16 X 1-1/4
21	532106968		SUB= 106968X
22	532105358		SUB= 105358X
23	810040400		WASHER, LOCK 1/4
24	873220400		NUT, HEX 1/4-20
25	873350500		NUT, HEX, JAM 5/16-18
26	873800400		NUT LOCK HEX W/INS 1/4-20



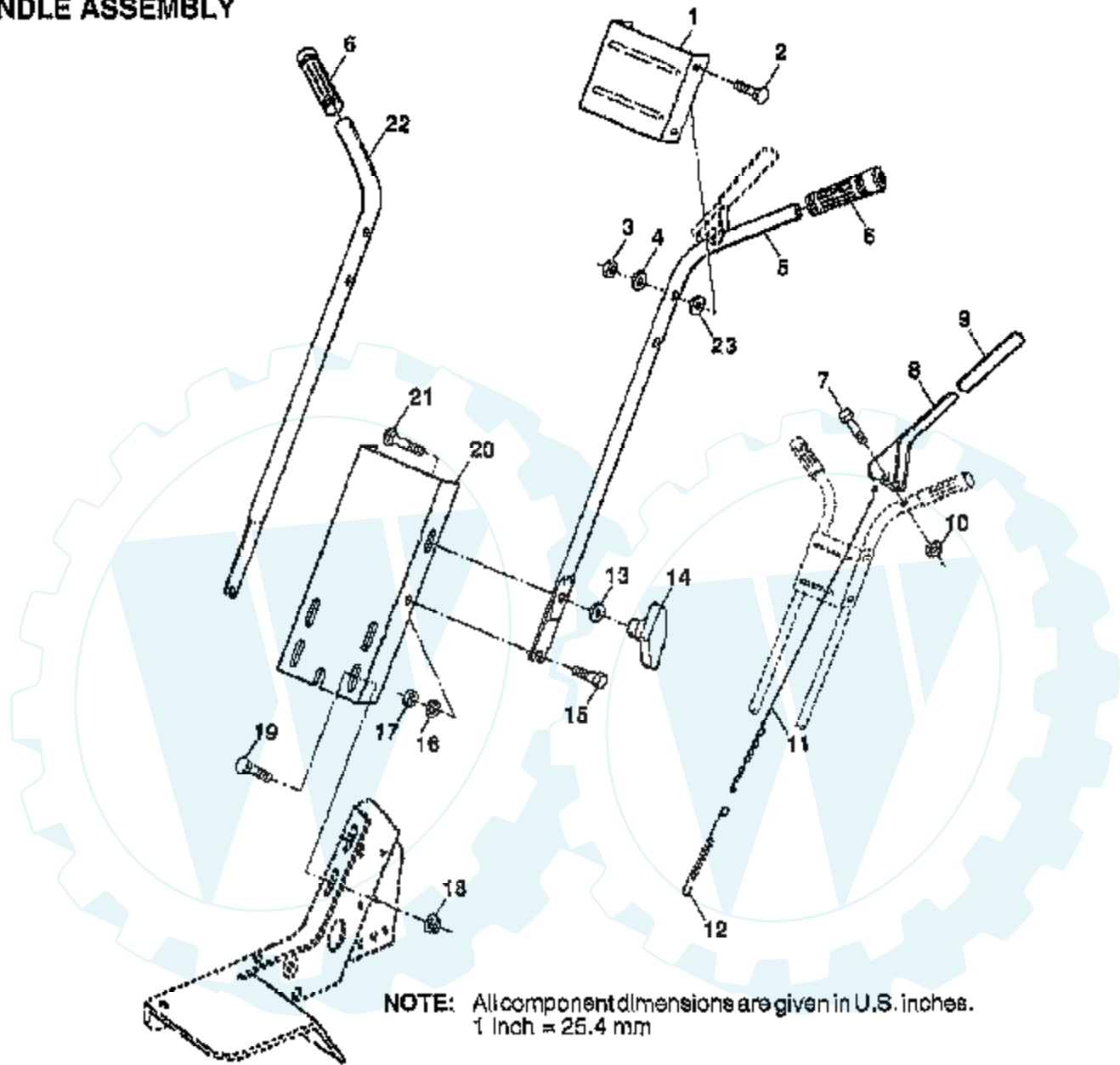
3 HP 17" TILLER - - MODEL NO. PPFT3, PRODUCT NO. 954 00 62-01(PPFT3C) DECALS



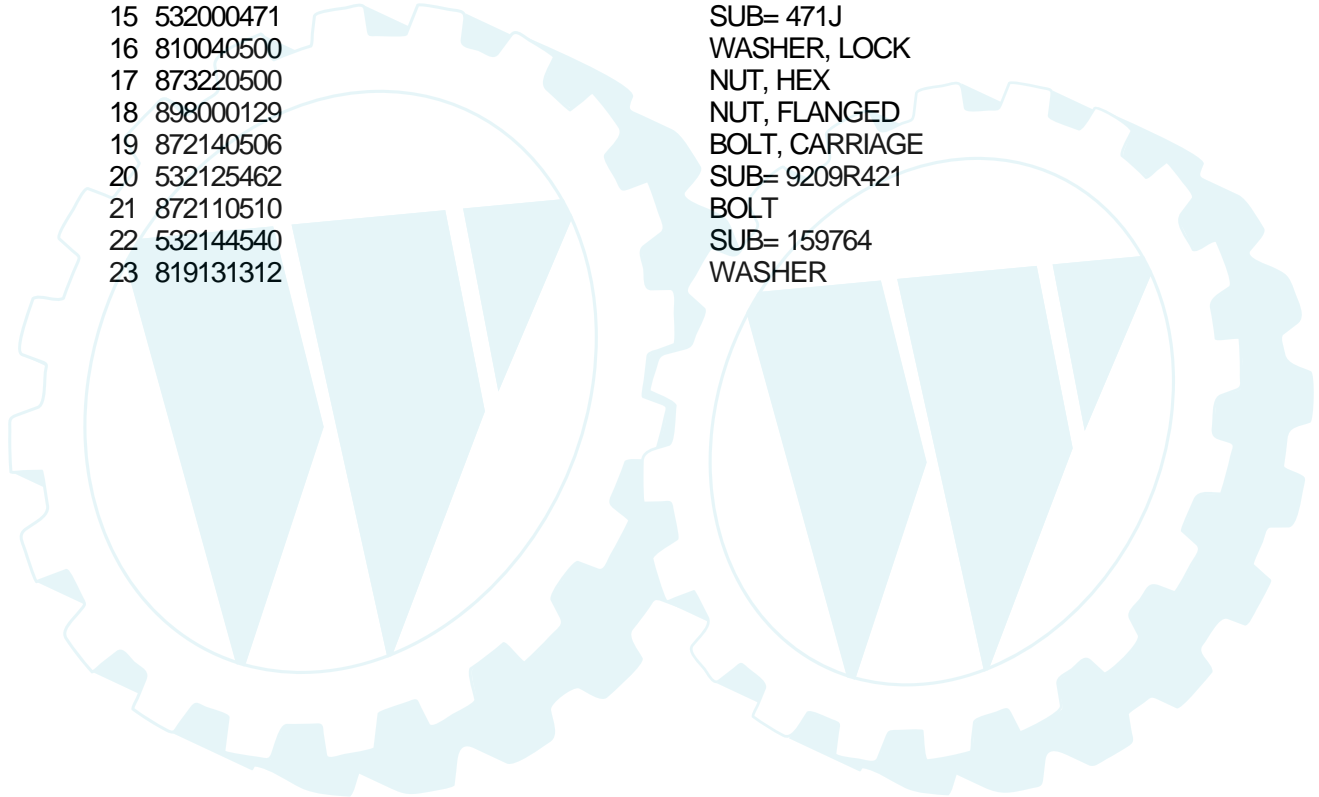
Ref #	Part Number	Qty	Description
1	532134240		DECAL.PANEL.CNTRL
2	532132834		DECAL
3	532132833		NLA
4	532110613		SUB= 110613X
5	532110614		SUB= 110614X
6	532110612		SUB= 110612X
7	532126230		SUB= 126230X
8	532120076		SUB= 120075X
	532144002		MANUAL.O.PPFT3C.E
	532144033		MANUAL.O.PPFT3C.F



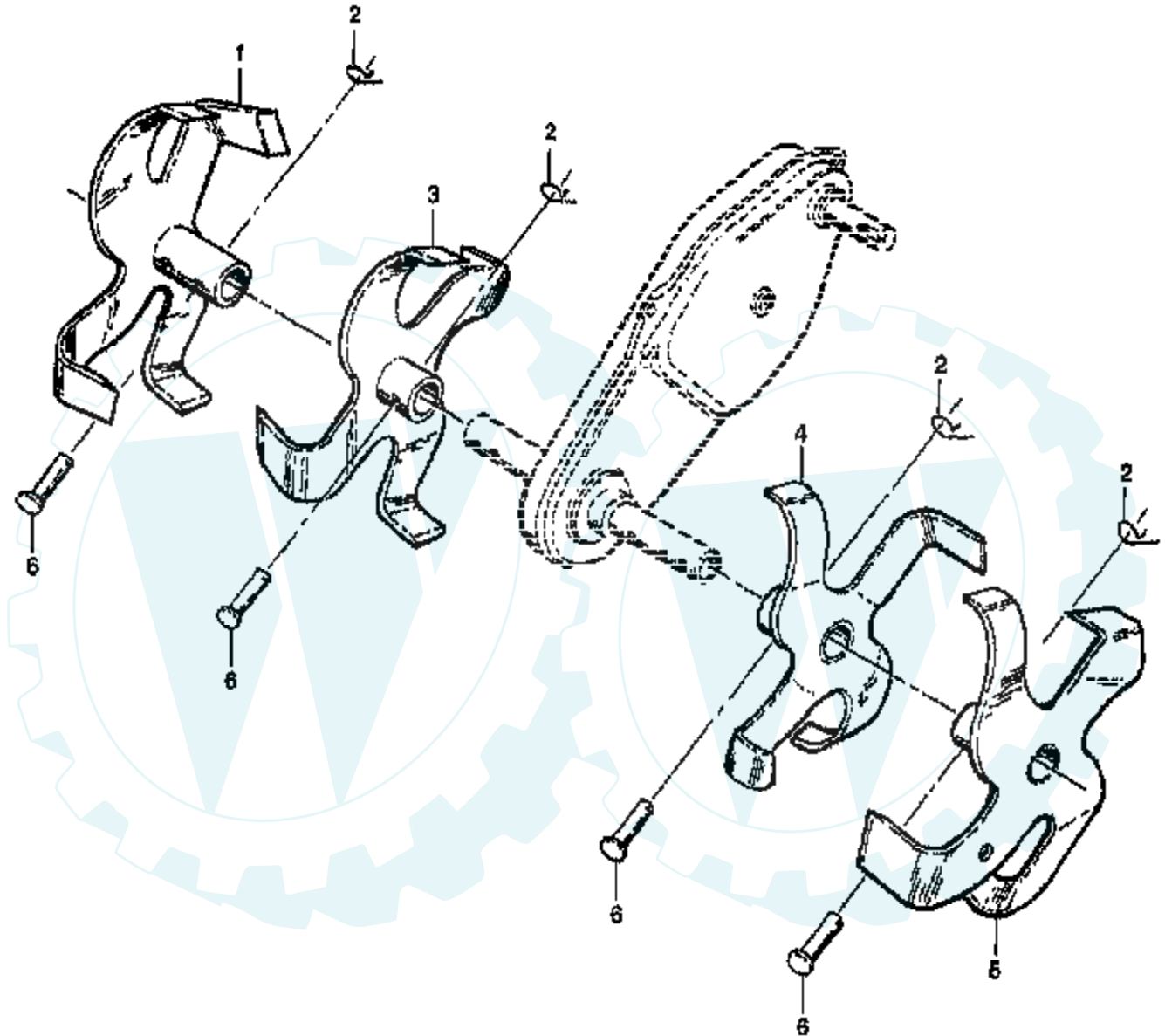
3 HP 17" TILLER - - MODEL NO. PPFT3, PRODUCT NO. 954 00 62-01(PPFT3C) HANDLE ASSEMBLY



Ref #	Part Number	Qty	Description
1	532125461		SUB= 137176X421
2	872140512		BOLT, CARRIAGE
3	873680500		LOCKNUT, CROWN 5/16-18
4	819111116		WASHER 11/32 X 11/16 X 16 GA.
5	532144539		SUB= 154127
6	532140536		SUB= 140536
7	874760524		BOLT, HEX 5/16-18 X 1-1/2
8	532003069		SUB= 3069J
9	532124797		SUB= 8206H
10	532124949		SUB= 68478
11	532003067		SUB= 100382K
12	532003070		SUB= 3070J
13	819121414		WASHER 3/8 X 7/8 X 14 GA.
14	532136376		SUB= 136376
15	532000471		SUB= 471J
16	810040500		WASHER, LOCK
17	873220500		NUT, HEX
18	898000129		NUT, FLANGED
19	872140506		BOLT, CARRIAGE
20	532125462		SUB= 9209R421
21	872110510		BOLT
22	532144540		SUB= 159764
23	819131312		WASHER



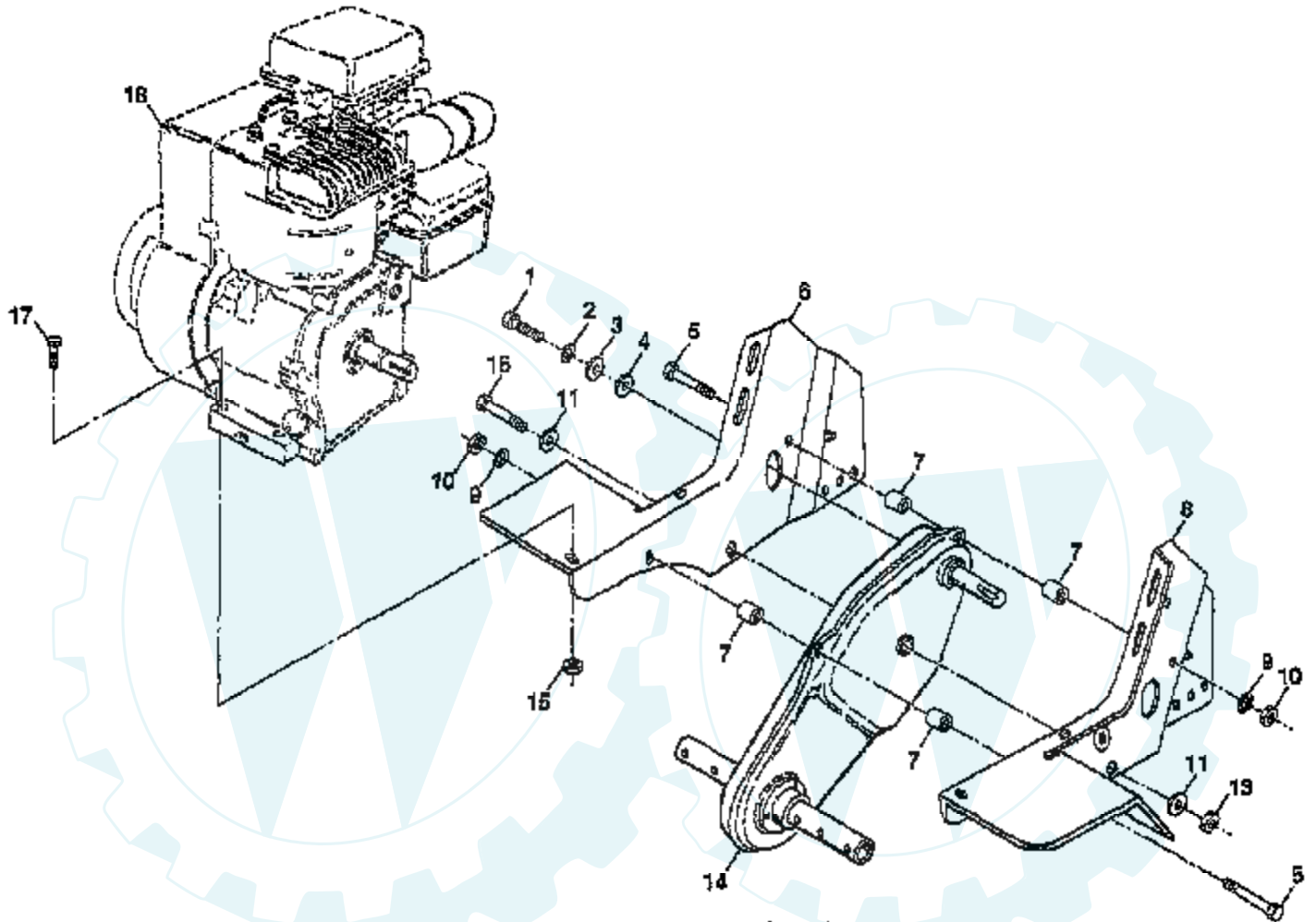
**3 HP 17" TILLER - - MODEL NO. PPFT3, PRODUCT NO. 954 00 62-01(PPFT3C)
TINE ASSEMBLY**



Ref #	Part Number	Qty	Description
1	532106860		SUB= 106860X
2	532124961		SUB= 4921H
3	532106858		SUB= 106858X
4	532106857		SUB= 106857X
5	532106859		SUB= 106859X
6	532009194		SUB= 9194R

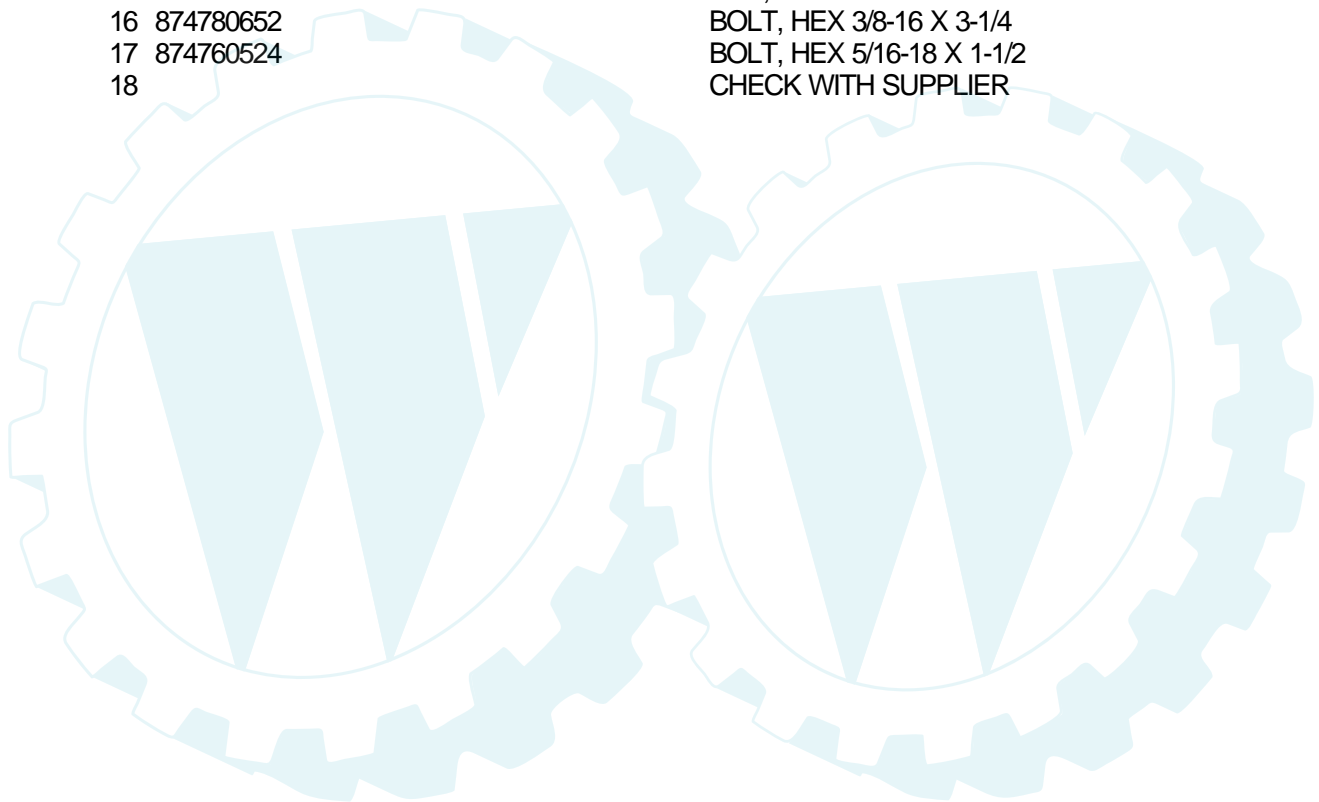


3 HP 17" TILLER - - MODEL NO. PPFT3, PRODUCT NO. 954 00 62-01(PPFT3C) TRANSMISSION

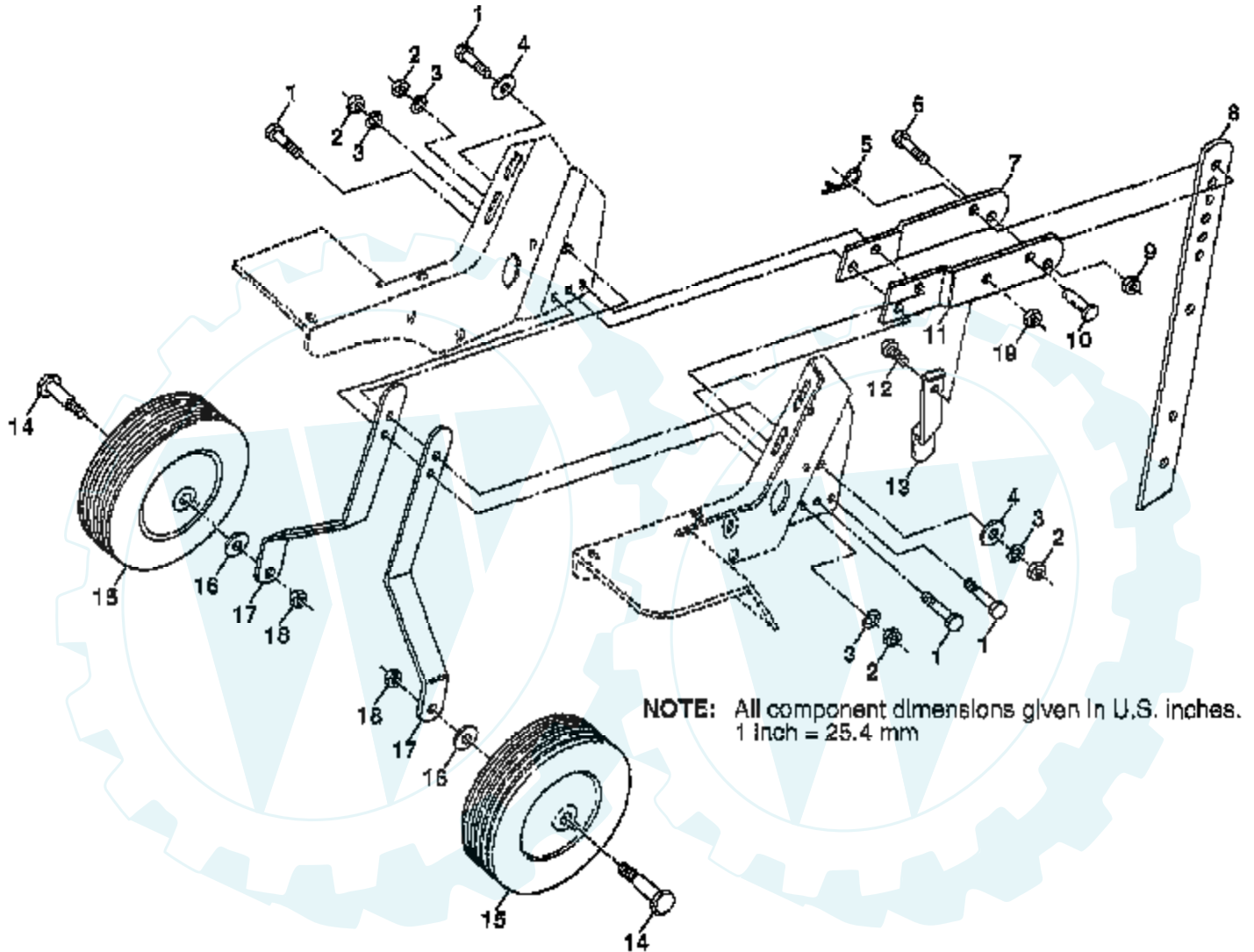


NOTE: All component dimensions given in U.S. inches.
1 inch = 25.4 mm

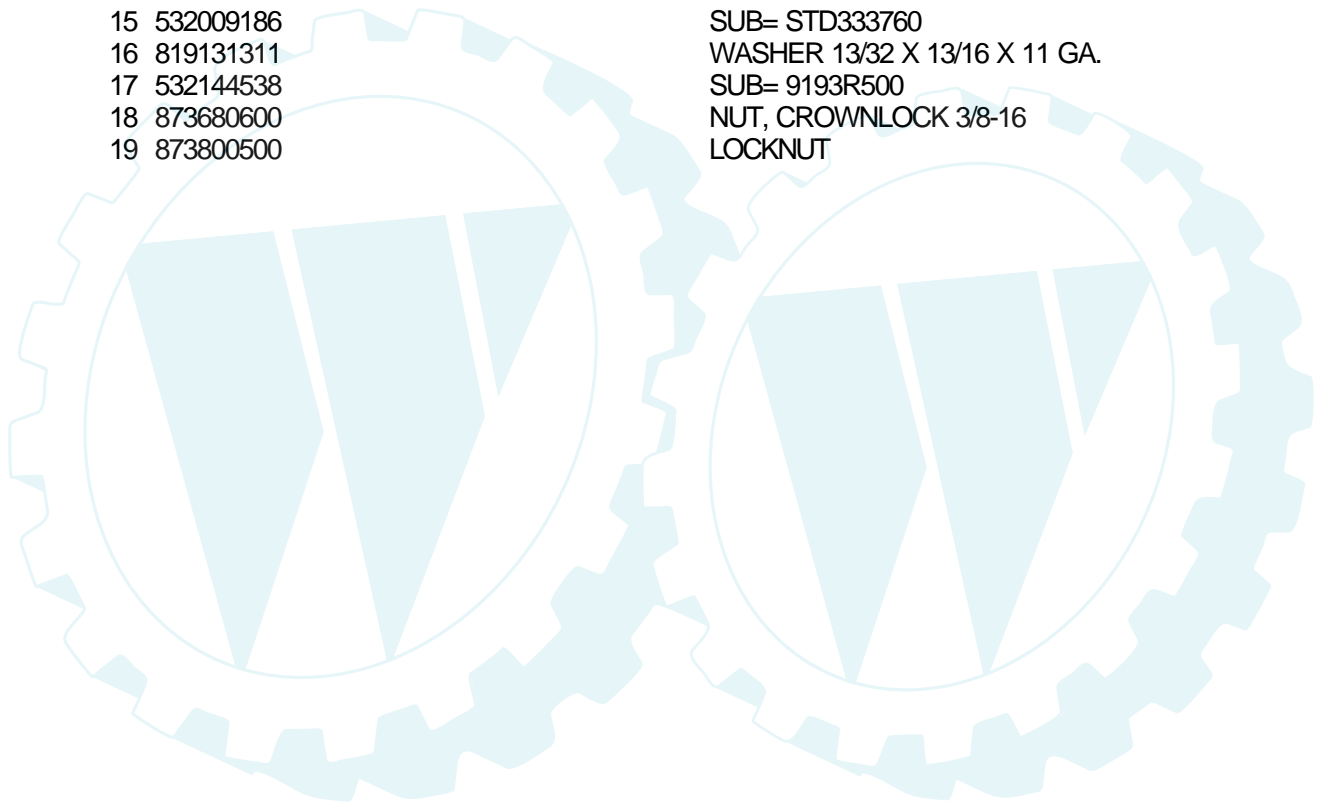
Ref #	Part Number	Qty	Description
1	874610412		BOLT, HEX 1/4-28 X 3/4 GR. 5
2	810040400		WASHER, LOCK 1/4
3	819092016		WASHER 9/32 X 1-1/4 X 16 GA.
4	819091412		WASHER 9/32 X 7/8 X 12 GA.
5	874760544		BOLT, HEX 5/16-18 X 2-3/4
6	532125357		SUB= 2606J421
7	532009173		SUB= 9173R
8	532125358		SUB= 132212X421
9	810040500		WASHER, LOCK
10	873220500		NUT, HEX
11	819131311		WASHER 13/32 X 13/16 X 11 GA.
13	873800600		LOCKNUT
14	532105391		SUB= 105391X
15	873510500		NUT, KEPS 5/16-18
16	874780652		BOLT, HEX 3/8-16 X 3-1/4
17	874760524		BOLT, HEX 5/16-18 X 1-1/2
18			CHECK WITH SUPPLIER



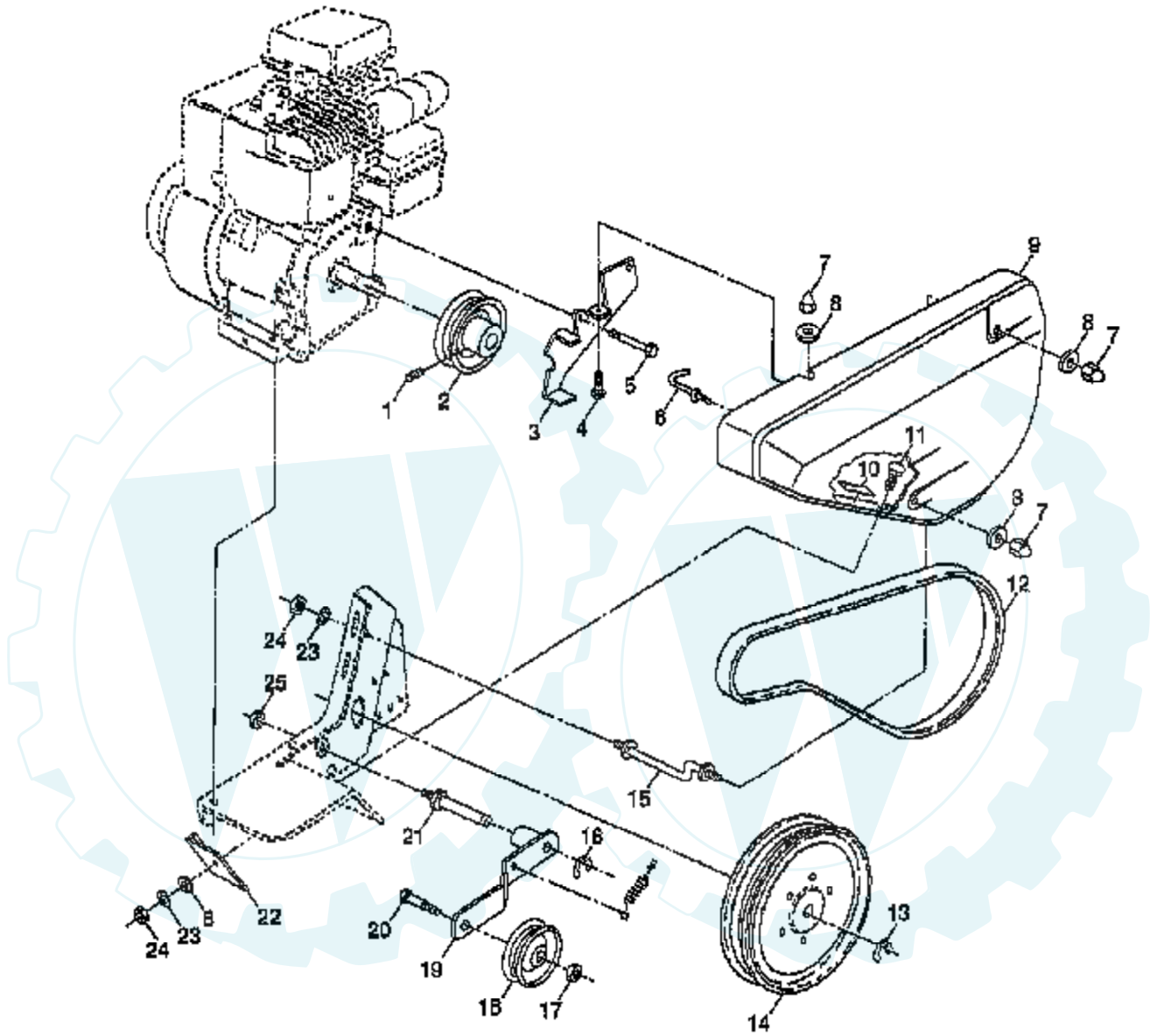
3 HP 17" TILLER - - MODEL NO. PPFT3, PRODUCT NO. 954 00 62-01(PPFT3C) WHEEL AND DEPTH STAKE ASSEMBLY



Ref #	Part Number	Qty	Description
1	874760520		BOLT, HEX 5/16-18 X 1-1/4
2	873220500		NUT, HEX
3	810040500		WASHER, LOCK
4	819121414		WASHER 3/8 X 7/8 X 14 GA.
5	532124961		SUB= 4921H
6	874780628		BOLT, FIN, HEX 3/8-16 X 1-3/4
7	532000318		SUB= 318J
8	532144541		SUB= 9193R500
9	873800600		LOCKNUT
10	532009551		SUB= 9551R
11	532000317		SUB= 317J500
12	874760512		BOLT, HEX 5/16-18 X 3/4
13	532000325		SUB= 325J
14	532121117		SUB= 121117X
15	532009186		SUB= STD333760
16	819131311		WASHER 13/32 X 13/16 X 11 GA.
17	532144538		SUB= 9193R500
18	873680600		NUT, CROWNLOCK 3/8-16
19	873800500		LOCKNUT

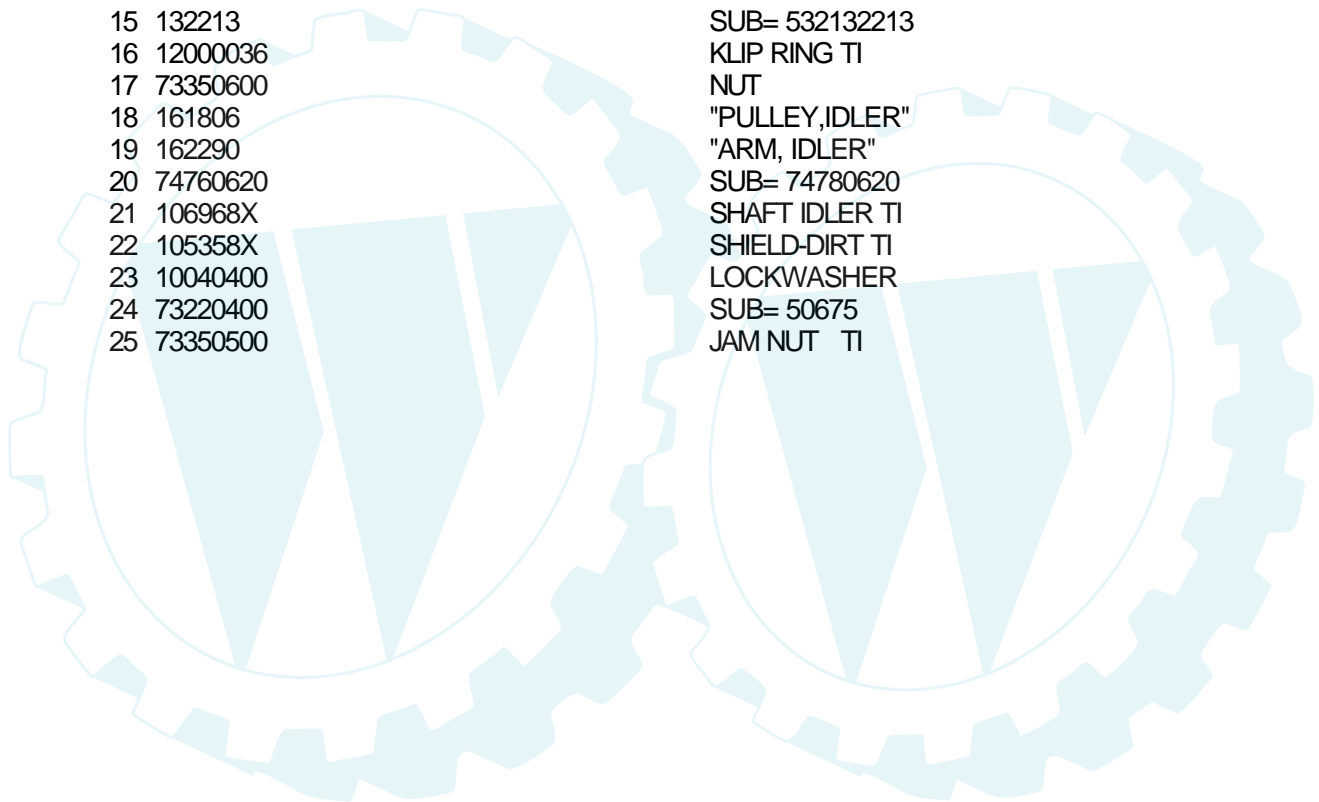


TILLER - - MODEL NO. PPFT35, (PPFT35B)PRODUCT NO. 954 19 00-16 BELT GUARD AND PULLEY ASSEMBLY

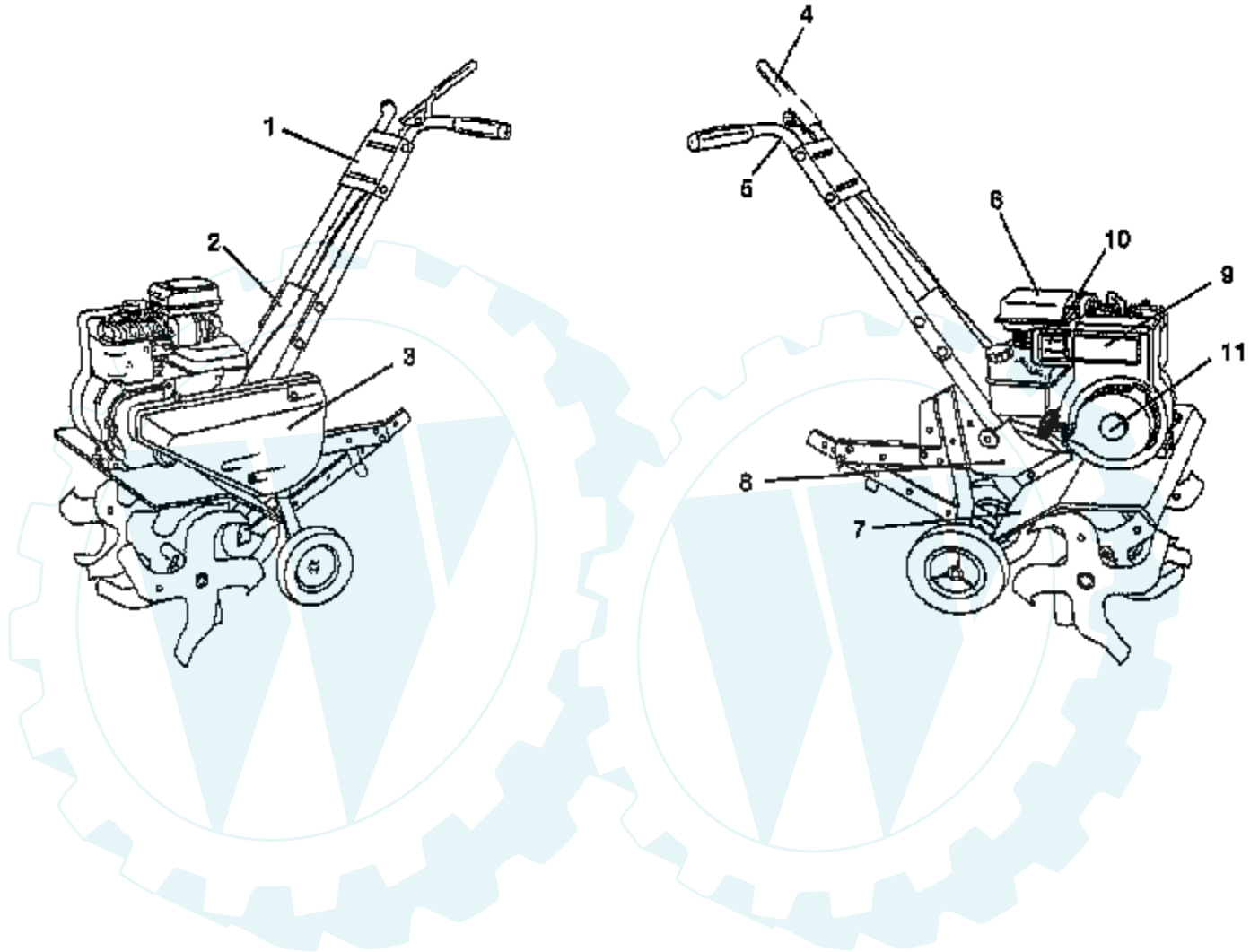


NOTE: All component dimensions given in U.S. inches.
1 inch = 25.4 mm

Ref #	Part Number	Qty	Description
1	23230506		SET SCREW
2	130811		SUB= 532130811
3	122955X		BRKT ASSY
4	72140404		BOLT
5	74610812		BOLT.HEX.HEAD
6	121463X		KEEPER BELT
7	104213X		NUT-CAP TI
8	19091016		WASHER
9	131157X505		BELT GUARD
10	109227X		PAD IDLER TI
11	72140406		BOLT T
12	9179R		SUB= TH3H390
13	12000028		SUB= 2267J
14	151939		PULLEY.TRANSMISSN
15	132213		SUB= 532132213
16	12000036		KLIP RING TI
17	73350600		NUT
18	161806		"PULLEY, IDLER"
19	162290		"ARM, IDLER"
20	74760620		SUB= 74780620
21	106968X		SHAFT IDLER TI
22	105358X		SHIELD-DIRT TI
23	10040400		LOCKWASHER
24	73220400		SUB= 50675
25	73350500		JAM NUT TI



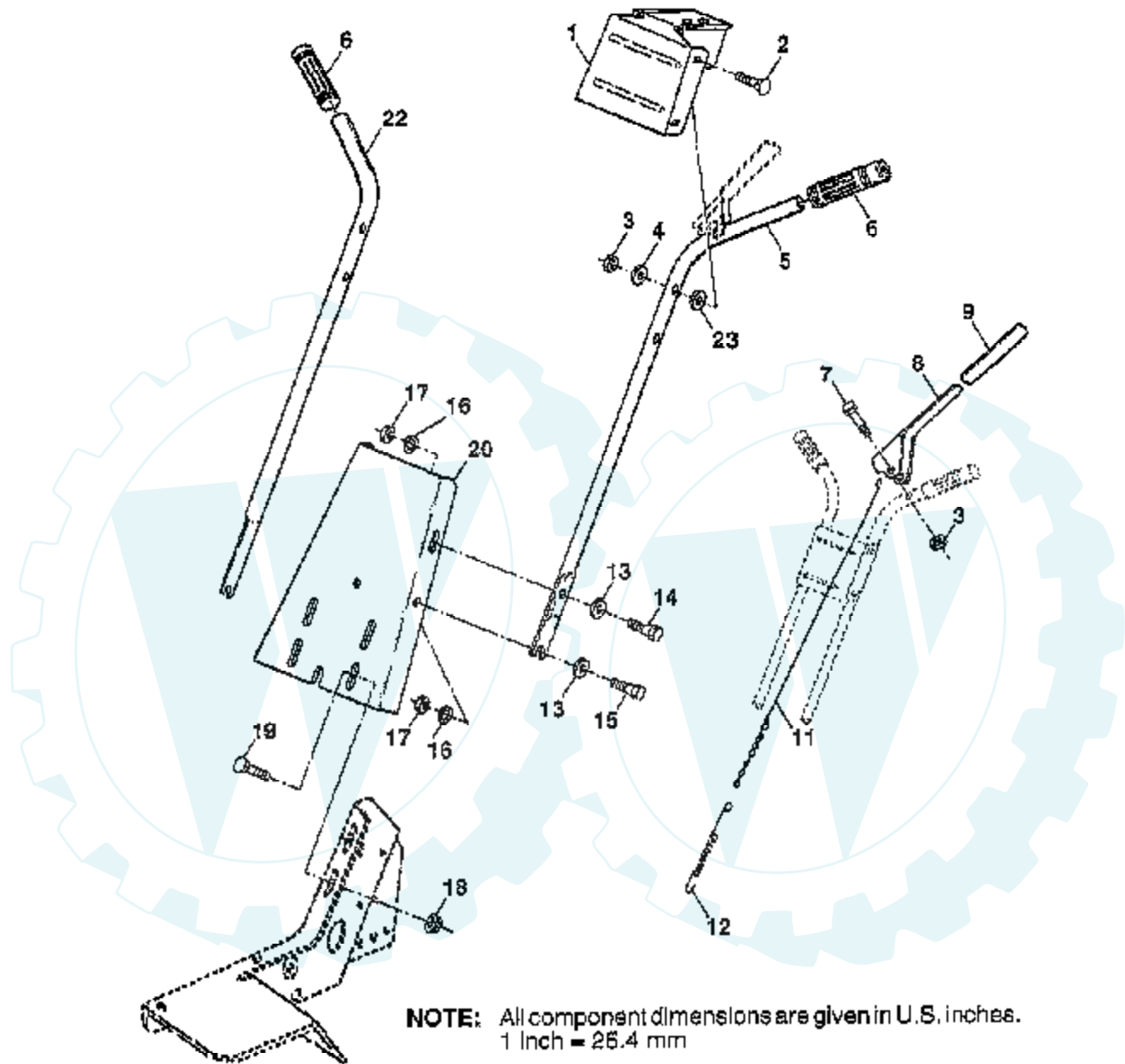
TILLER - - MODEL NO. PPFT35, (PPFT35B) PRODUCT NO. 954 19 00-16 DECALS



Ref #	Part Number	Qty	Description
1	162682		DECAL.LOGO.CONTROL
2	162681		DECAL.HP.CONTROL
3	162680		DECAL.LOGO
4	110613		DECAL, TINE CONTROL
5	110614		DECAL HAND PLACEMENT
6	162384		DECAL.CAUTION
7	120076		DECAL WARNING ROTATING TINES
8	150496		RETAINER-SPRING
9	273199		DECAL-BRIGGS AND STRATTON
10	273603		DECAL-SPEED CONTROL
11	273714		DECAL-3.5 HP
	162798		MANUAL.O.PPFT35B
	162799		MANUAL.O.PPFT35B

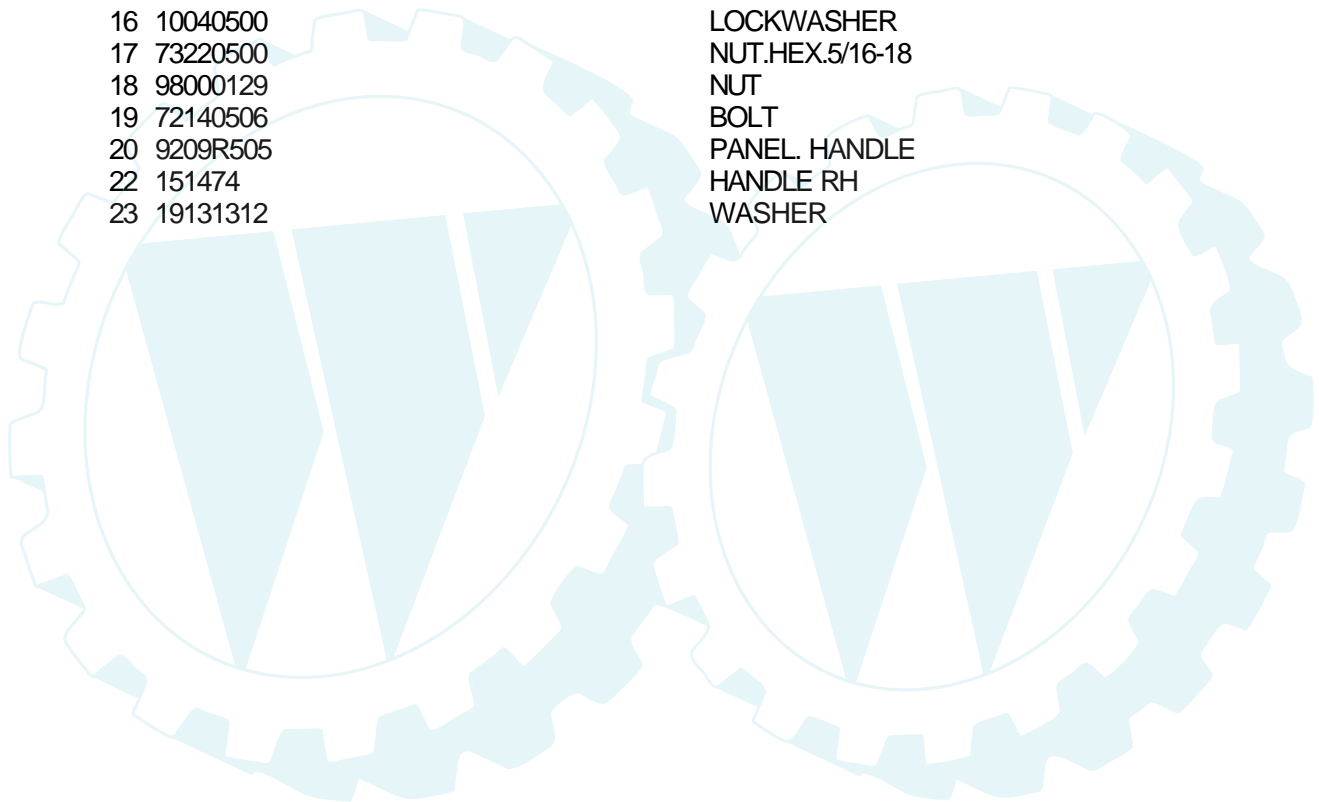


TILLER - - MODEL NO. PPFT35, (PPFT35B) PRODUCT NO. 954 19 00-16 HANDLE ASSEMBLY

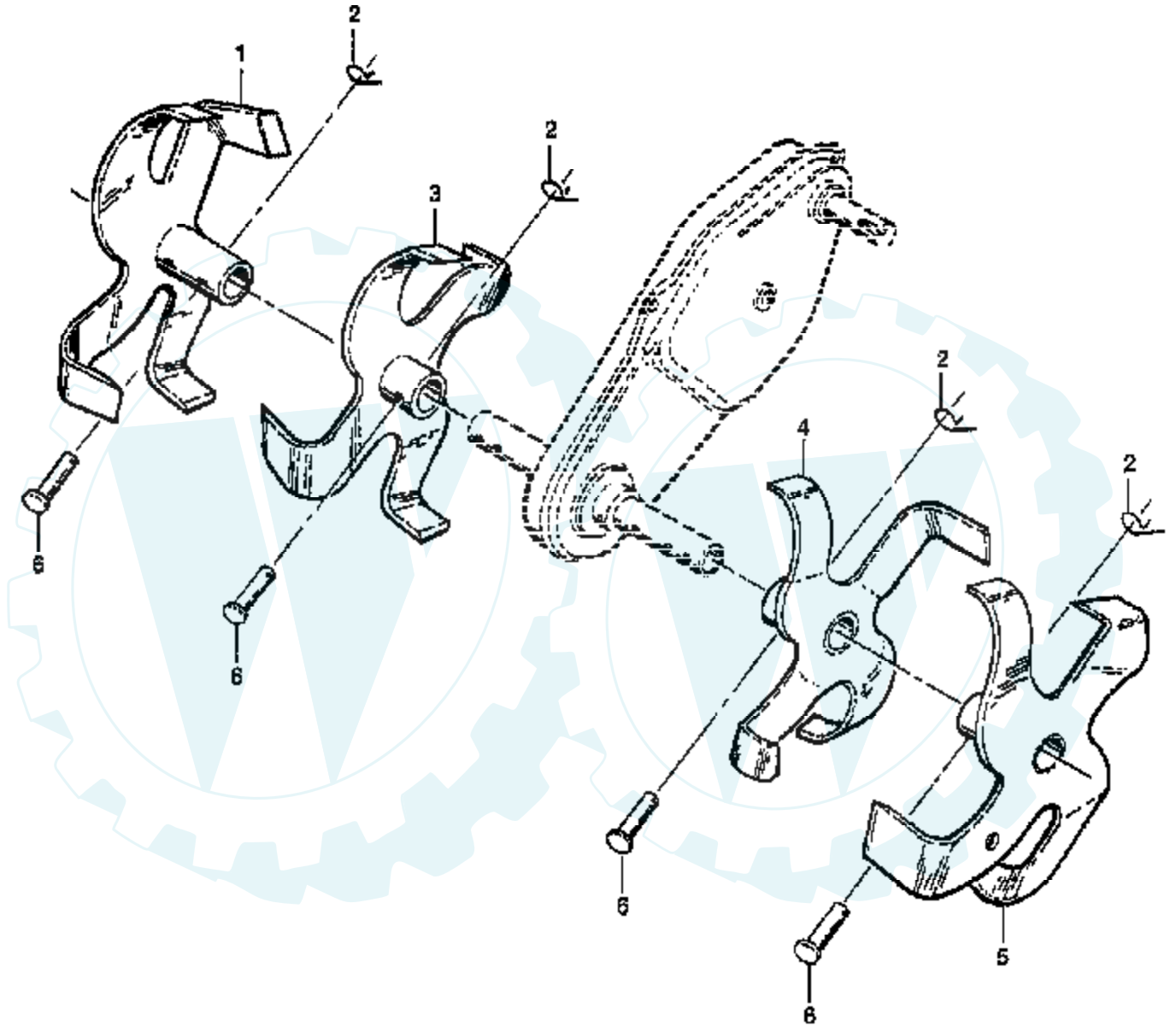


NOTE: All component dimensions are given in U.S. inches.
1 inch = 25.4 mm

Ref #	Part Number	Qty	Description
1	137176X505		HANDLE BRKT
2	72140512		BOLT
3	73680500		SUB= 73690500
4	19111116		WASHER
5	151473		HANDLE LH
6	9266R		SUB= 624A78
7	74760524		BOLT.HEX.5/16-1.5
8	3069J		SUB= 164937
9	8206H		GRIP T
11	3067J		SUB= 100382K
12	3070J		SPRING EXT TI
13	19121414		WASHER
14	74760516		SUB= 77394
15	74760512		BOLT
16	10040500		LOCKWASHER
17	73220500		NUT.HEX.5/16-18
18	98000129		NUT
19	72140506		BOLT
20	9209R505		PANEL. HANDLE
22	151474		HANDLE RH
23	19131312		WASHER



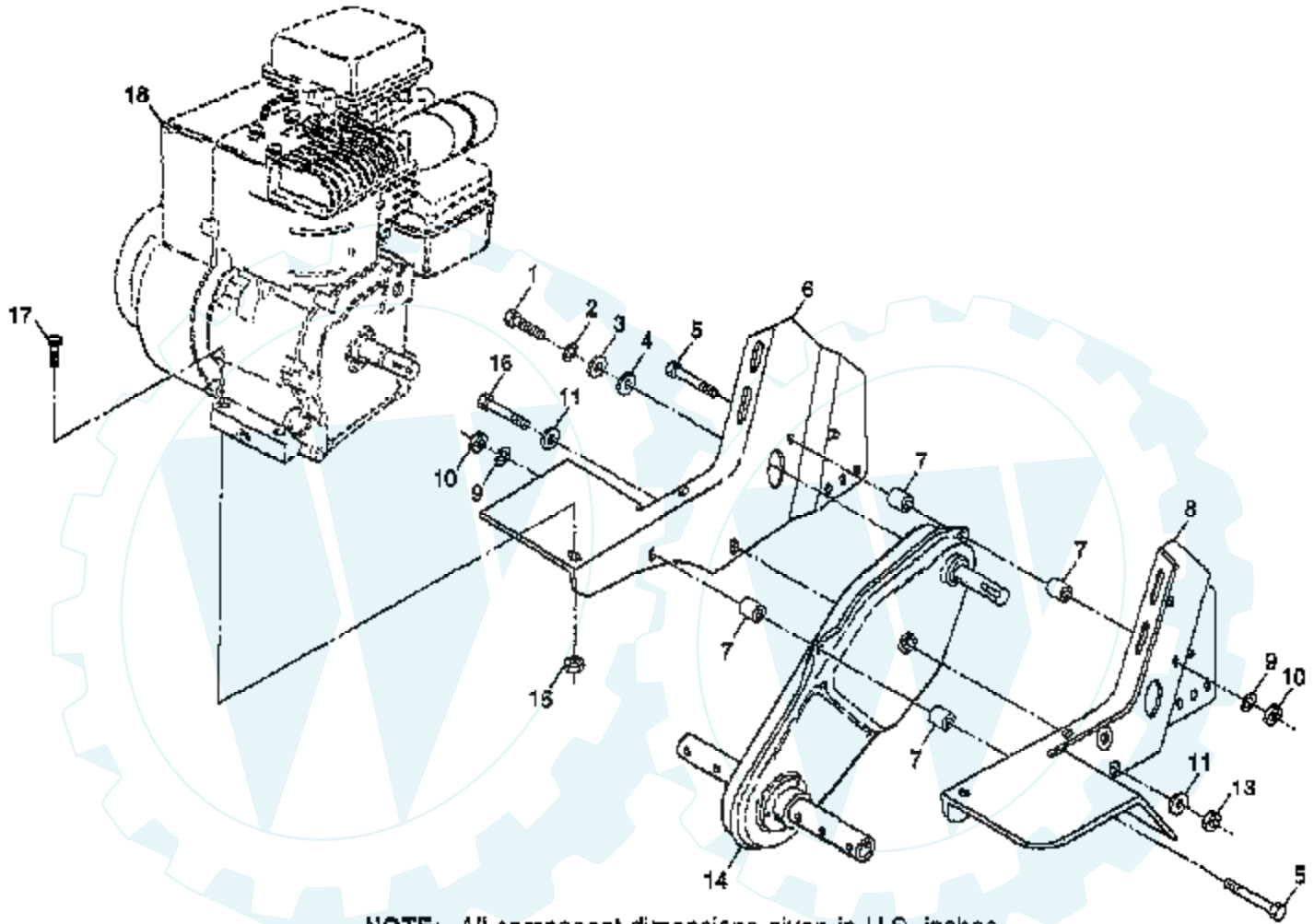
**TILLER - - MODEL NO. PPFT35, (PPFT35B) PRODUCT NO. 954 19 00-16
TINE ASSEMBLY**



Ref #	Part Number	Qty	Description
1	106860X		TINE ASSY RH
2	4921H		SPRING.RETAINER
3	106858X		TINE ASSY RH
4	106857X		TINE INN LH TI
5	106859X		TINE ASS'Y LH
6	9194R		DRILLED RIVET RT

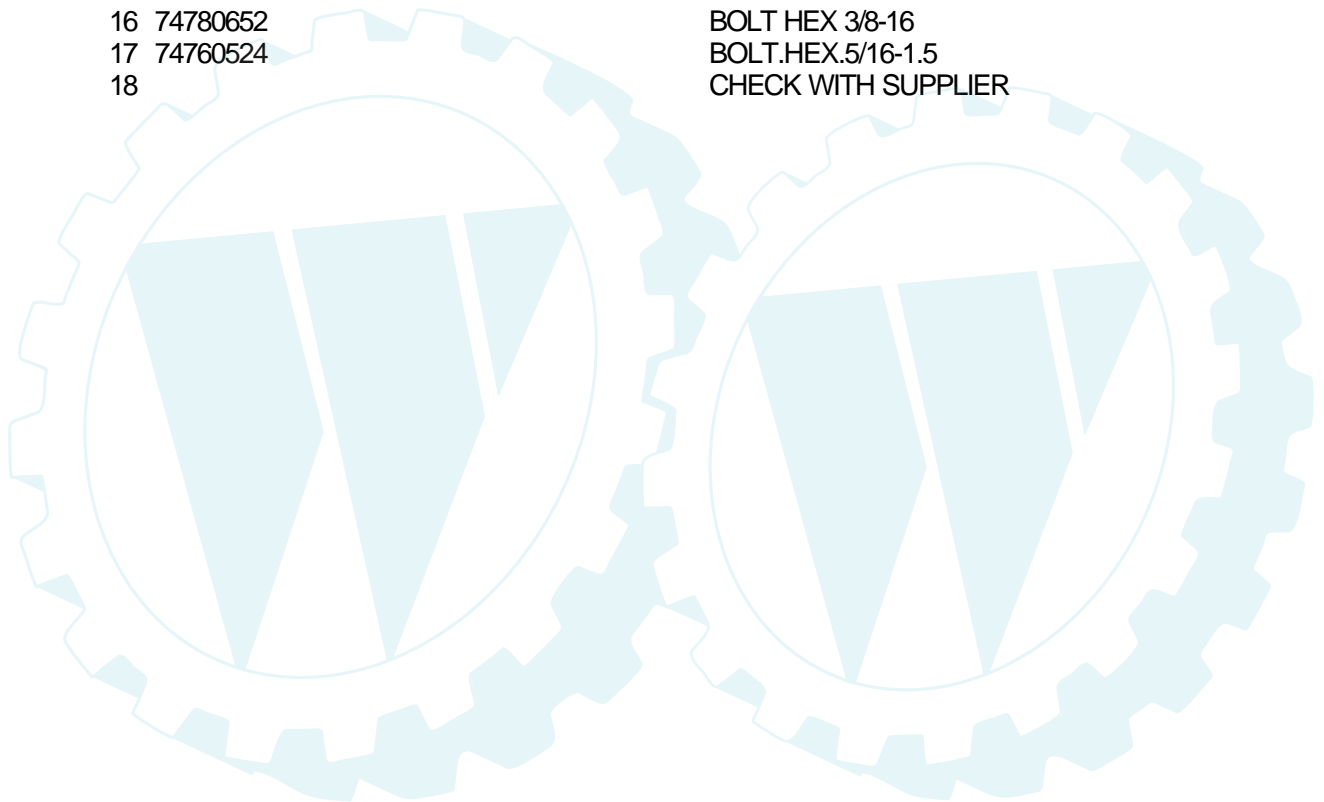


TILLER - - MODEL NO. PPFT35, (PPFT35B) PRODUCT NO. 954 19 00-16 TRANSMISSION

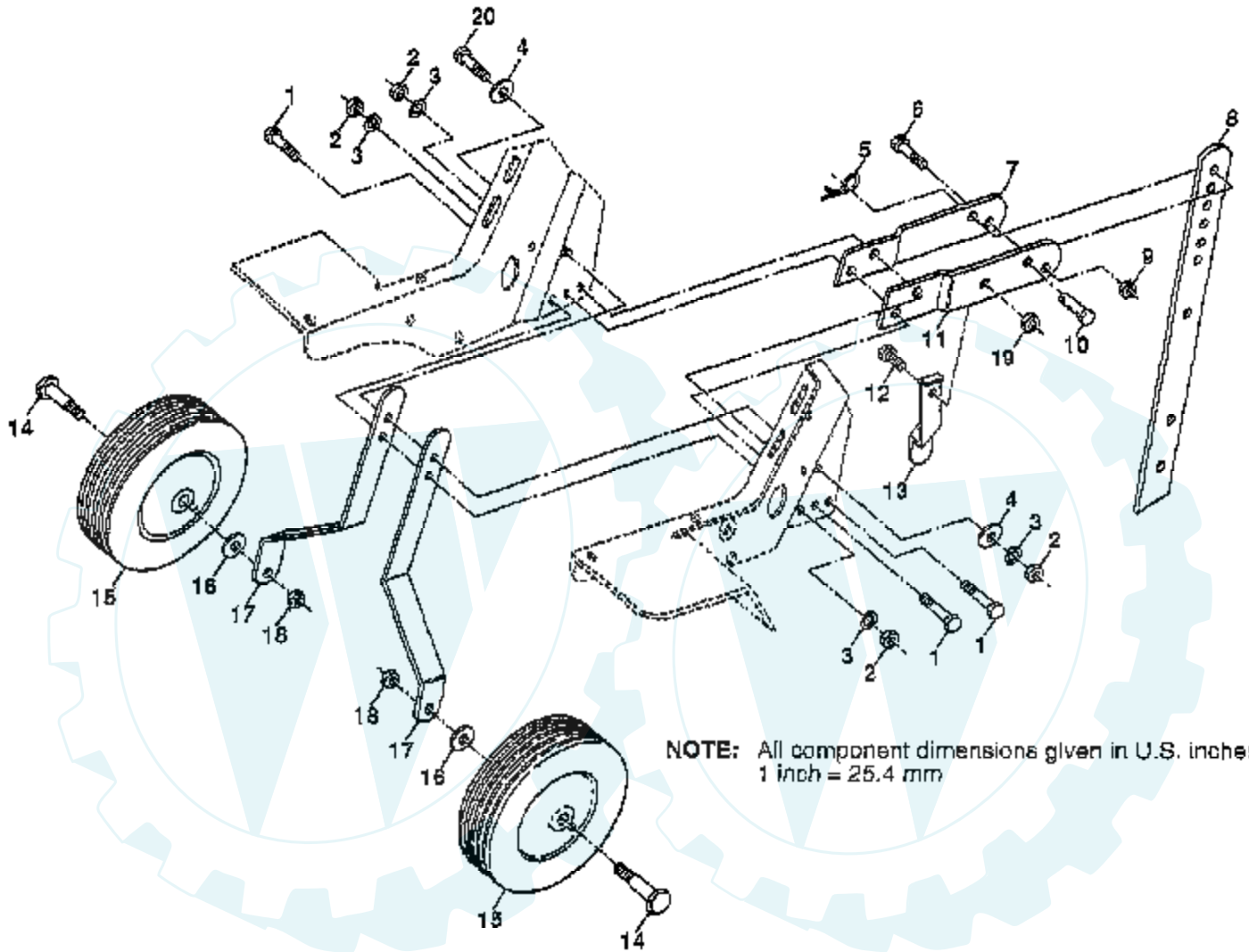


NOTE: All component dimensions given in U.S. inches.
1 inch = 25.4 mm

Ref #	Part Number	Qty	Description
1	74610412		BOLT
2	10040400		LOCKWASHER
3	19092016		WASHER
4	19091412		WASHER
5	74760544		SUB= 74780544
6	2606J505		ENGINE BRKT RH
7	9173R		SPLIT SPACER RT
8	132212X505		ENGINE BRKT LH
9	10040500		LOCKWASHER
10	73220500		NUT.HEX.5/16-18
11	19131311		WASHER
13	73800600		NUT
14	151937		SUB= 165810
15	73510500		NUT
16	74780652		BOLT HEX 3/8-16
17	74760524		BOLT.HEX.5/16-1.5
18			CHECK WITH SUPPLIER



**TILLER - - MODEL NO. PPFT35, (PPFT35B)PRODUCT NO. 954 19 00-16
WHEEL AND DEPTH STAKE ASSEMBLY**



Ref #	Part Number	Qty	Description
1	74760520		BOLT
2	73220500		NUT.HEX.5/16-18
3	10040500		LOCKWASHER
4	19121414		WASHER
5	4921H		SPRING.RETAINER
6	74780628		BOLT
7	318J		STAKE.SUPT.TILLER
8	9193R		SUB= 9193R500
9	73800600		NUT
10	9551R		DRILLED RIVET RT
11	317J		SUB= 317J500
12	74760512		BOLT
13	325J		STAKE SPRING CT
14	121117X		BOLT SHOULDER
15	127858		WHEEL TI
16	19131311		WASHER
17	9189R		SUB= 674H4
18	73680600		SUB= 73690600
19	73800500		NUT
20	74760524		BOLT.HEX.5/16-1.5

