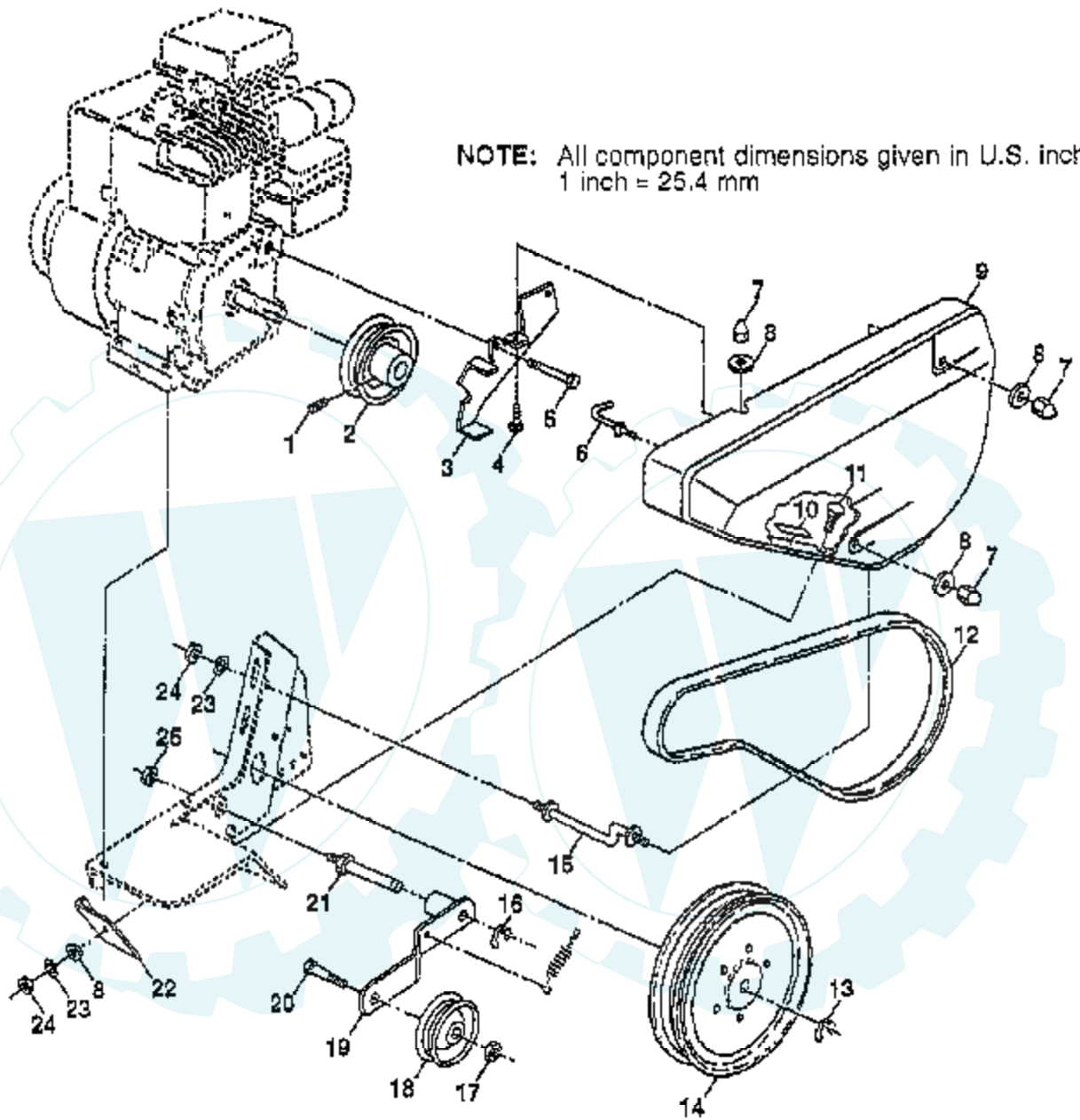
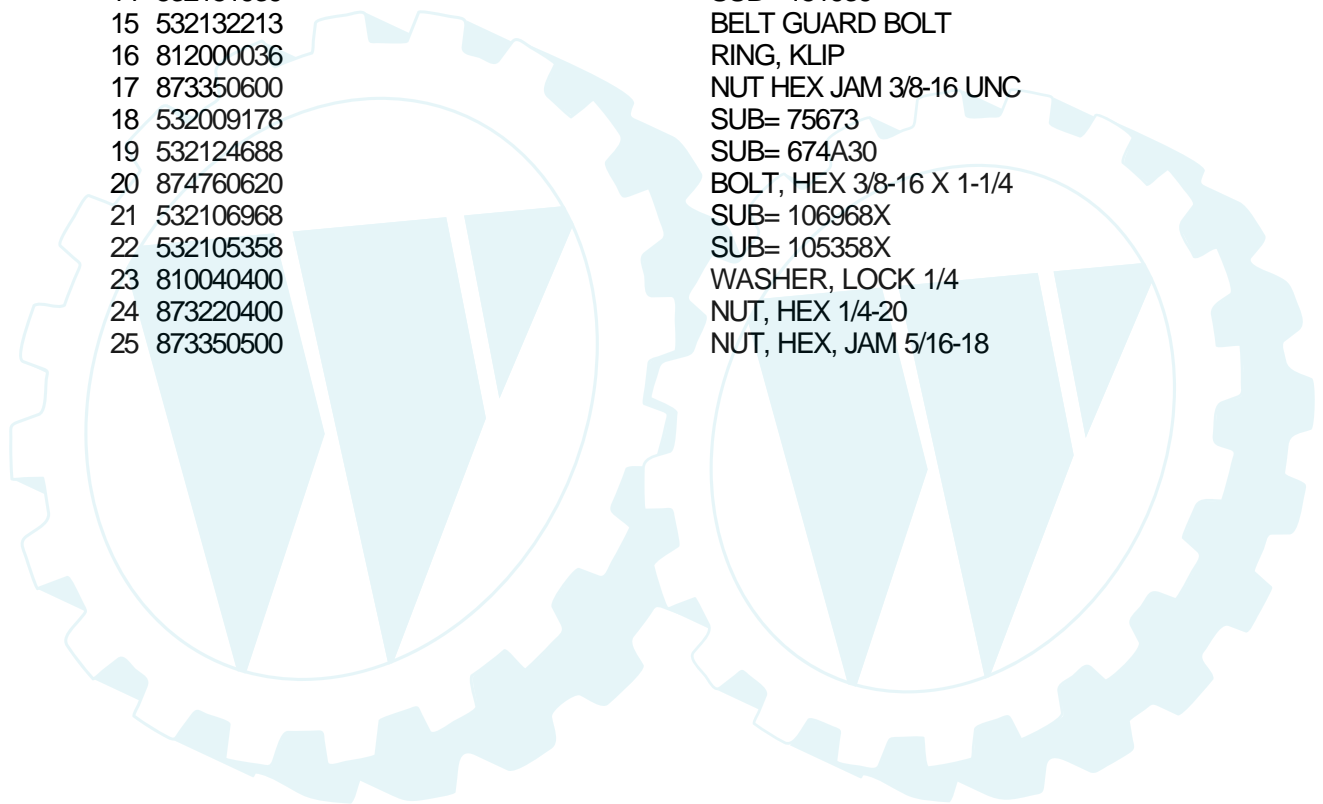


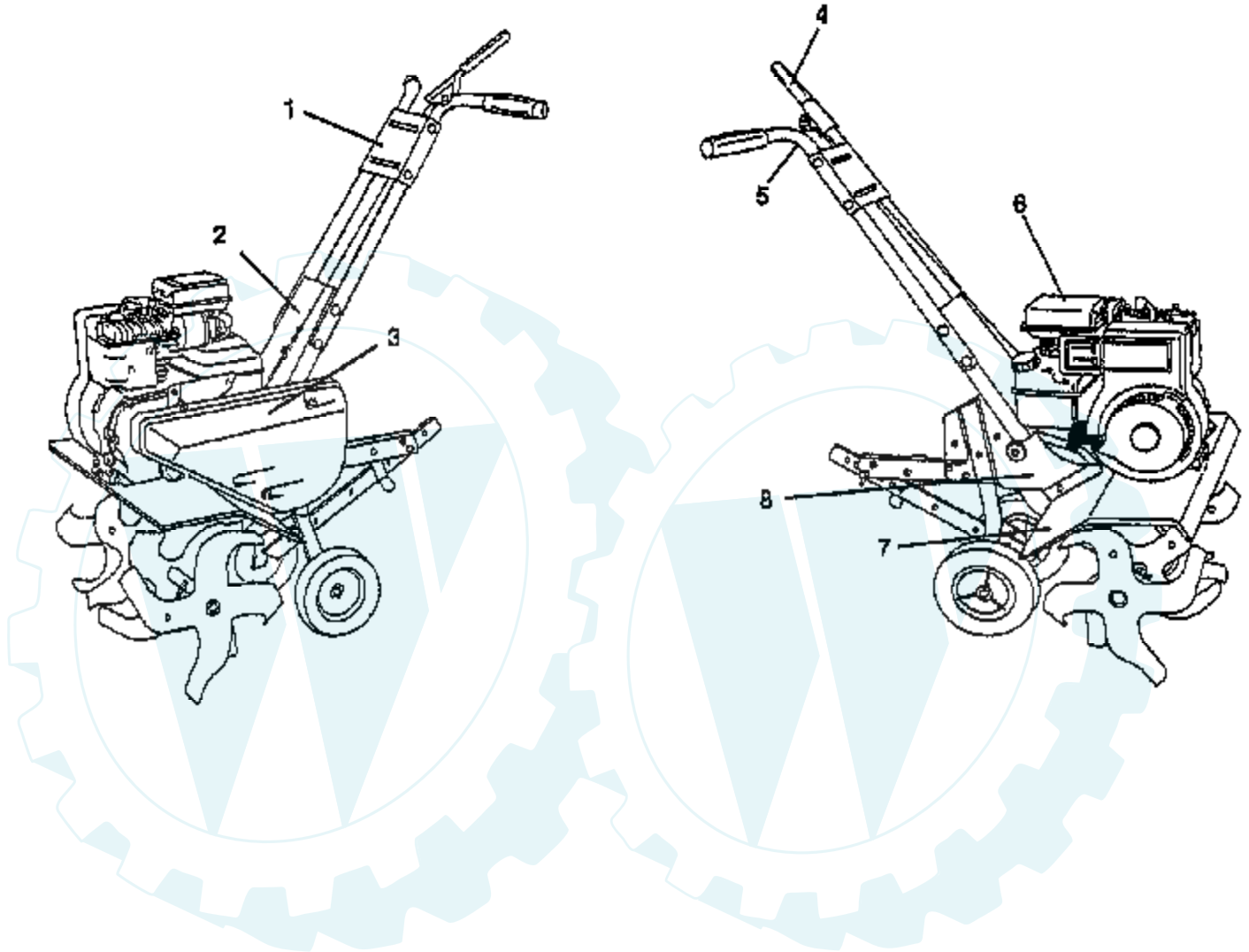
# TILLER - - MODEL NO. PPFT35, (PPFT35A) PRODUCT NO. 954 19 00-01 BELT GUARD AND PULLEY ASSEMBLY



Ref #	Part Number	Qty	Description
1	823230506		SCREW, SET FORGED SOCKET, HEADLESS 5/16-18X3/8
2	532130811		ENGINE PULLEY
3	532122955		SUB= 122955X
4	872140404		BOLT, CARRIAGE 1/4-20X3/4
5	874770812		BOLT, HEX 1/2-20X3/4
6	532121463		SUB= 121463X
7	532104213		SUB= 104213X
8	819091016		WASHER 9/32 X 5/8 X 16 GA.
9	532125342		SUB= 131157X421
10	532109227		SUB= 109227X
11	872140406		BOLT, CARRIAGE 1/4-20 X 3/4
12	532009179		SUB= TH3H390
13	812000028		RING, RETAINER
14	532151939		SUB= 151939
15	532132213		BELT GUARD BOLT
16	812000036		RING, KLIP
17	873350600		NUT HEX JAM 3/8-16 UNC
18	532009178		SUB= 75673
19	532124688		SUB= 674A30
20	874760620		BOLT, HEX 3/8-16 X 1-1/4
21	532106968		SUB= 106968X
22	532105358		SUB= 105358X
23	810040400		WASHER, LOCK 1/4
24	873220400		NUT, HEX 1/4-20
25	873350500		NUT, HEX, JAM 5/16-18



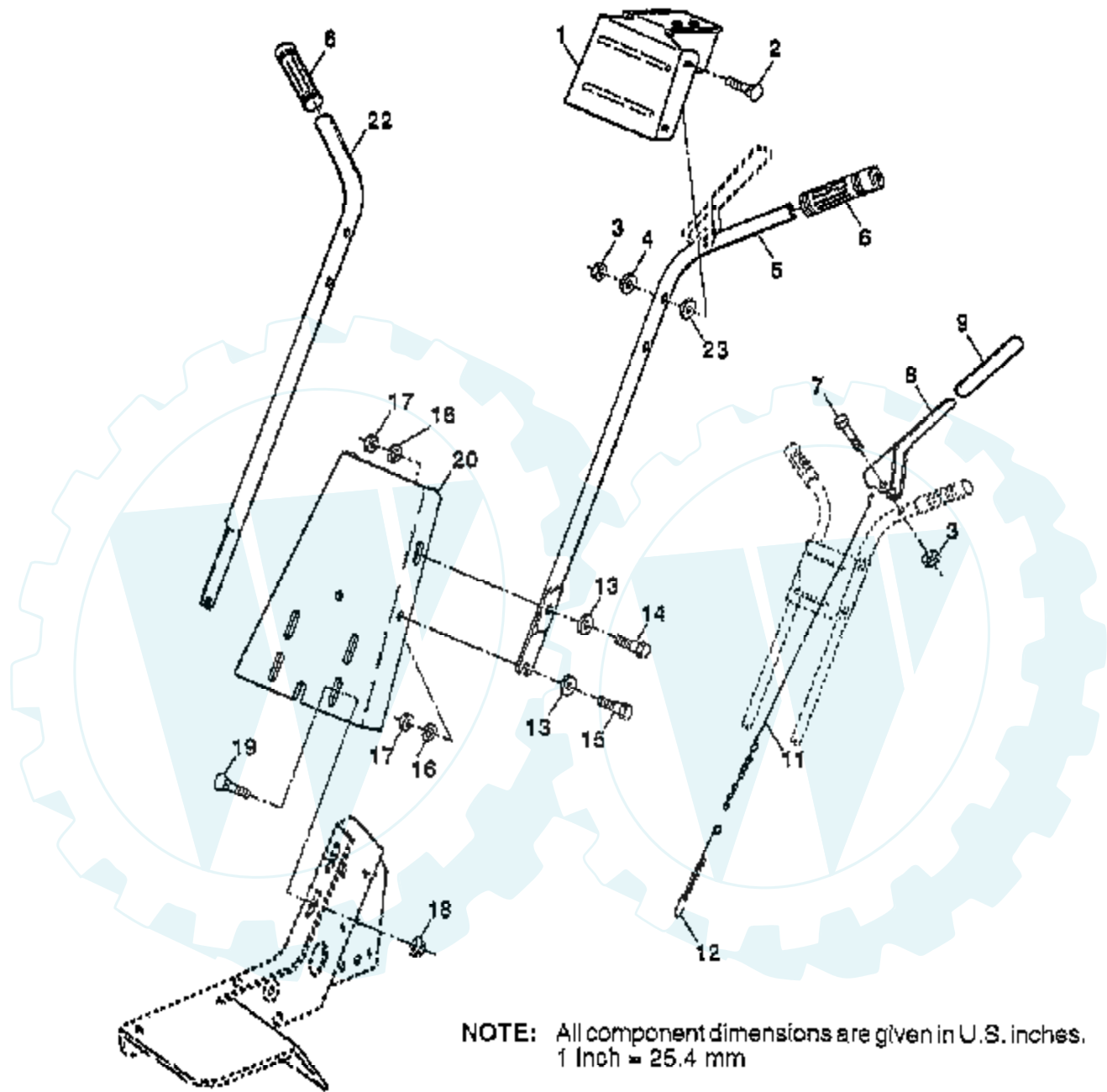
# TILLER - - MODEL NO. PPFT35, (PPFT35A)PRODUCT NO. 954 19 00-01 DECALS



Ref #	Part Number	Qty	Description
1	532157855		"DECAL PANEL,CON,U"
2	532157856		"DECAL PANEL,CONT"
3	532157854		"DECAL GUARD,BELT"
4	532110613		SUB= 110613X
5	532110614		SUB= 110614X
6	532110612		SUB= 110612X
7	532120076		SUB= 120075X
8	532150496		DECAL.CUST.ASSIST
	532157555		MANUAL.O.PPFT35A
	532157556		MANUAL.O.PPFT35A

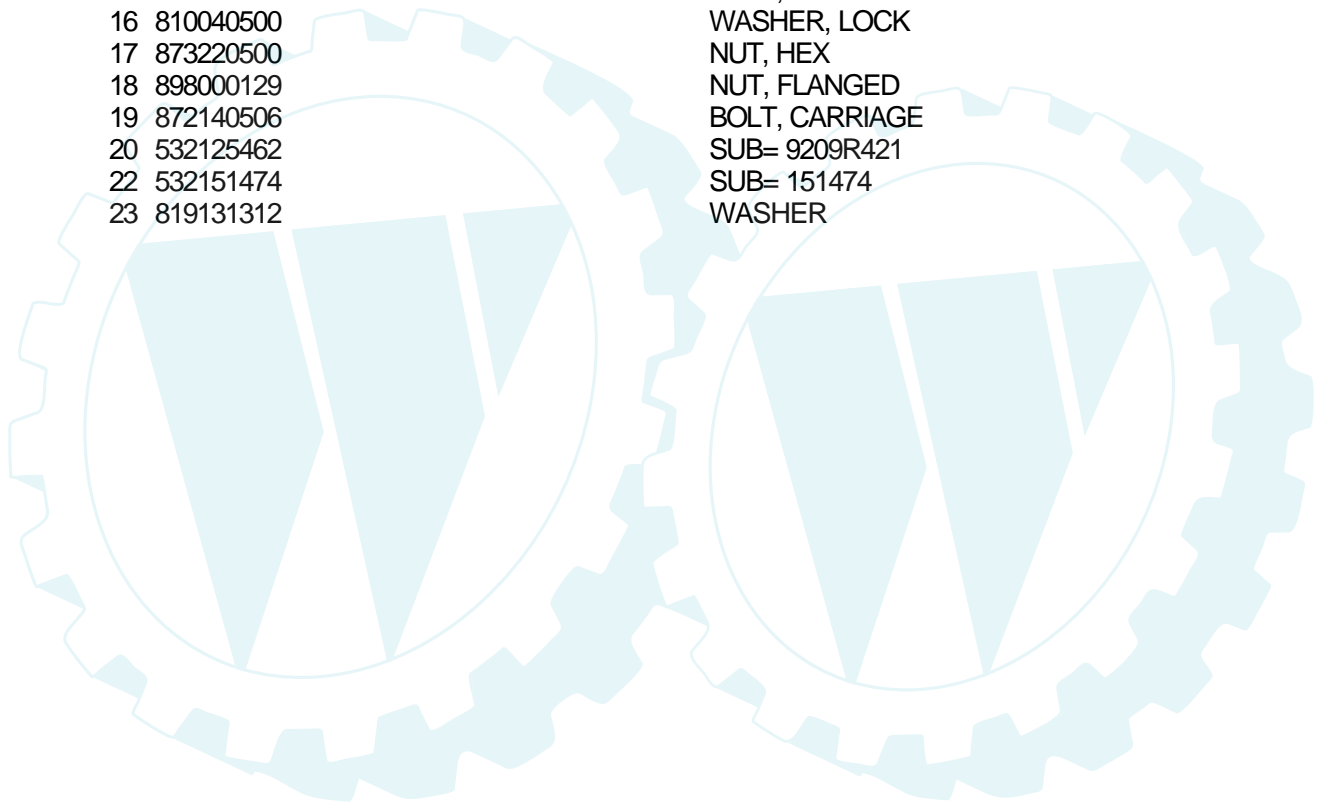


# TILLER - - MODEL NO. PPFT35, (PPFT35A) PRODUCT NO. 954 19 00-01 HANDLE ASSEMBLY

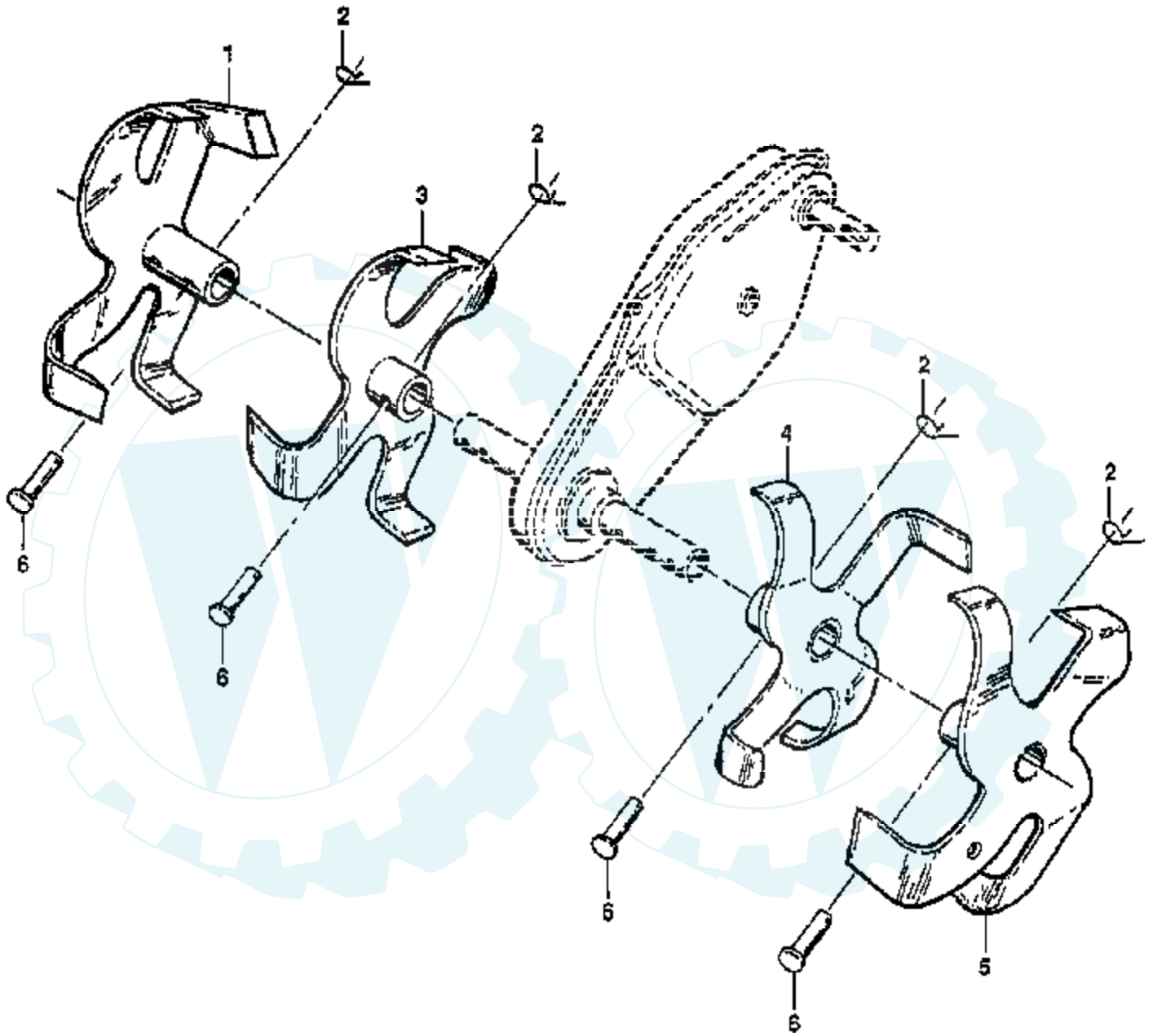


**NOTE:** All component dimensions are given in U.S. inches.  
1 Inch = 25.4 mm

Ref #	Part Number	Qty	Description
1	532125461		SUB= 137176X421
2	872140512		BOLT, CARRIAGE
3	873680500		LOCKNUT, CROWN 5/16-18
4	819111116		WASHER 11/32 X 11/16 X 16 GA.
5	532151473		SUB= 151473
6	532009266		SUB= 624A78
7	874760524		BOLT, HEX 5/16-18 X 1-1/2
8	532003069		SUB= 3069J
9	532124797		SUB= 8206H
11	532003067		SUB= 100382K
12	532003070		SUB= 3070J
13	819121414		WASHER 3/8 X 7/8 X 14 GA.
14	874760516		BOLT, HEX HD 5/16-18 X 1
15	874760512		BOLT, HEX 5/16-18 X 3/4
16	810040500		WASHER, LOCK
17	873220500		NUT, HEX
18	898000129		NUT, FLANGED
19	872140506		BOLT, CARRIAGE
20	532125462		SUB= 9209R421
22	532151474		SUB= 151474
23	819131312		WASHER



# TILLER - - MODEL NO. PPFT35, (PPFT35A) PRODUCT NO. 954 19 00-01 TINE ASSEMBLY

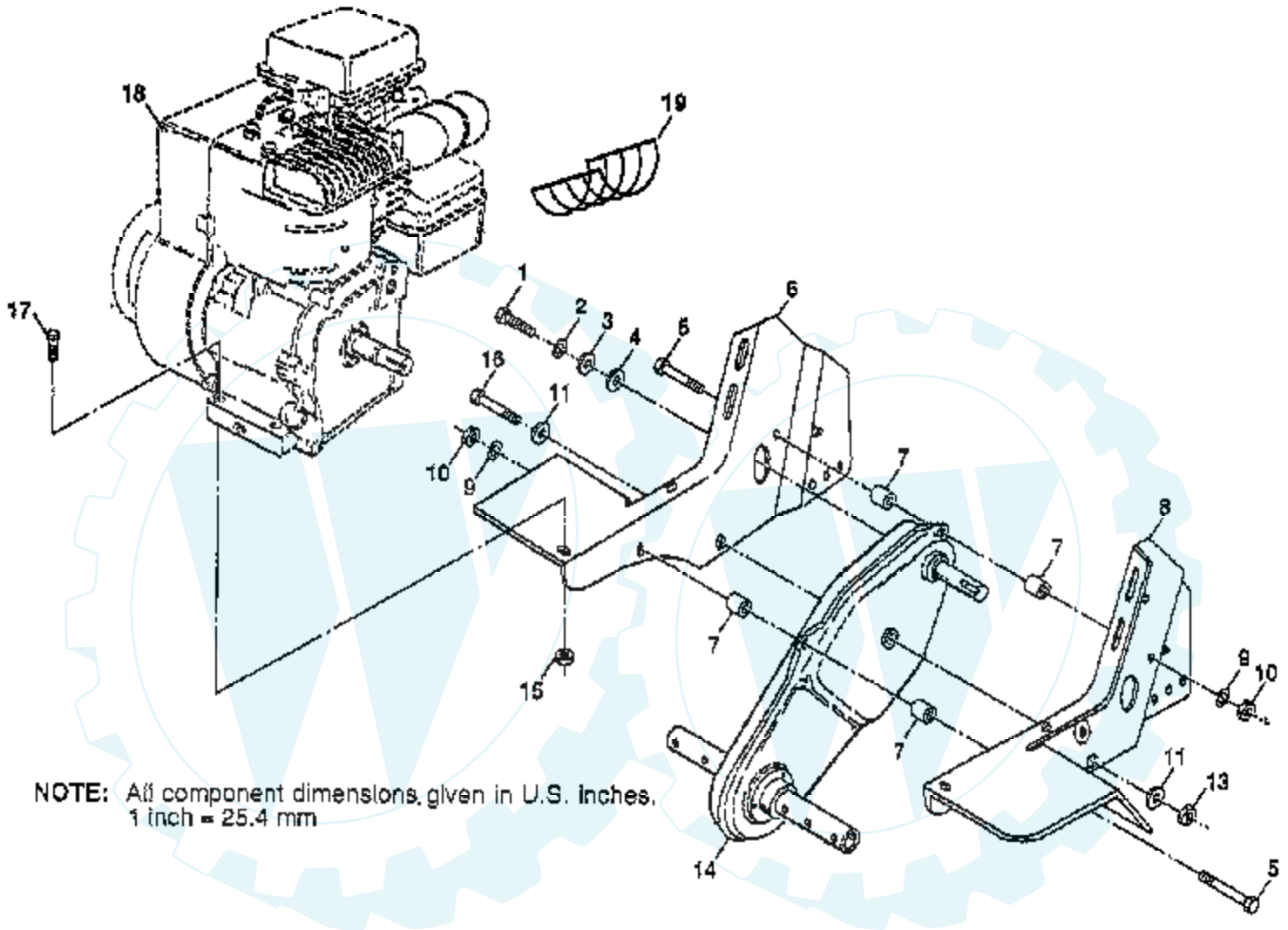


Ref #	Part Number	Qty	Description
1	532106860		SUB= 106860X
2	532124961		SUB= 4921H
3	532106858		SUB= 106858X
4	532106857		SUB= 106857X
5	532106859		SUB= 106859X
6	532009194		SUB= 9194R

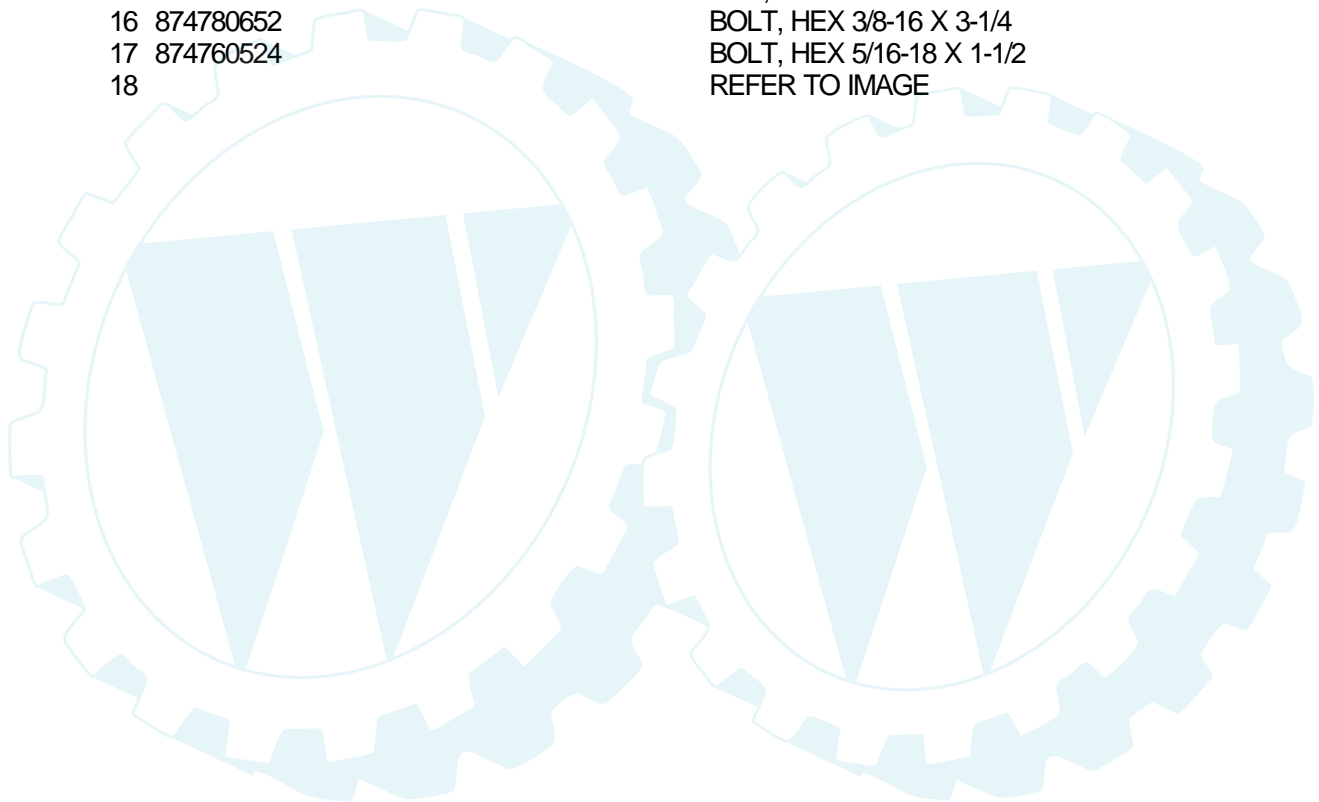




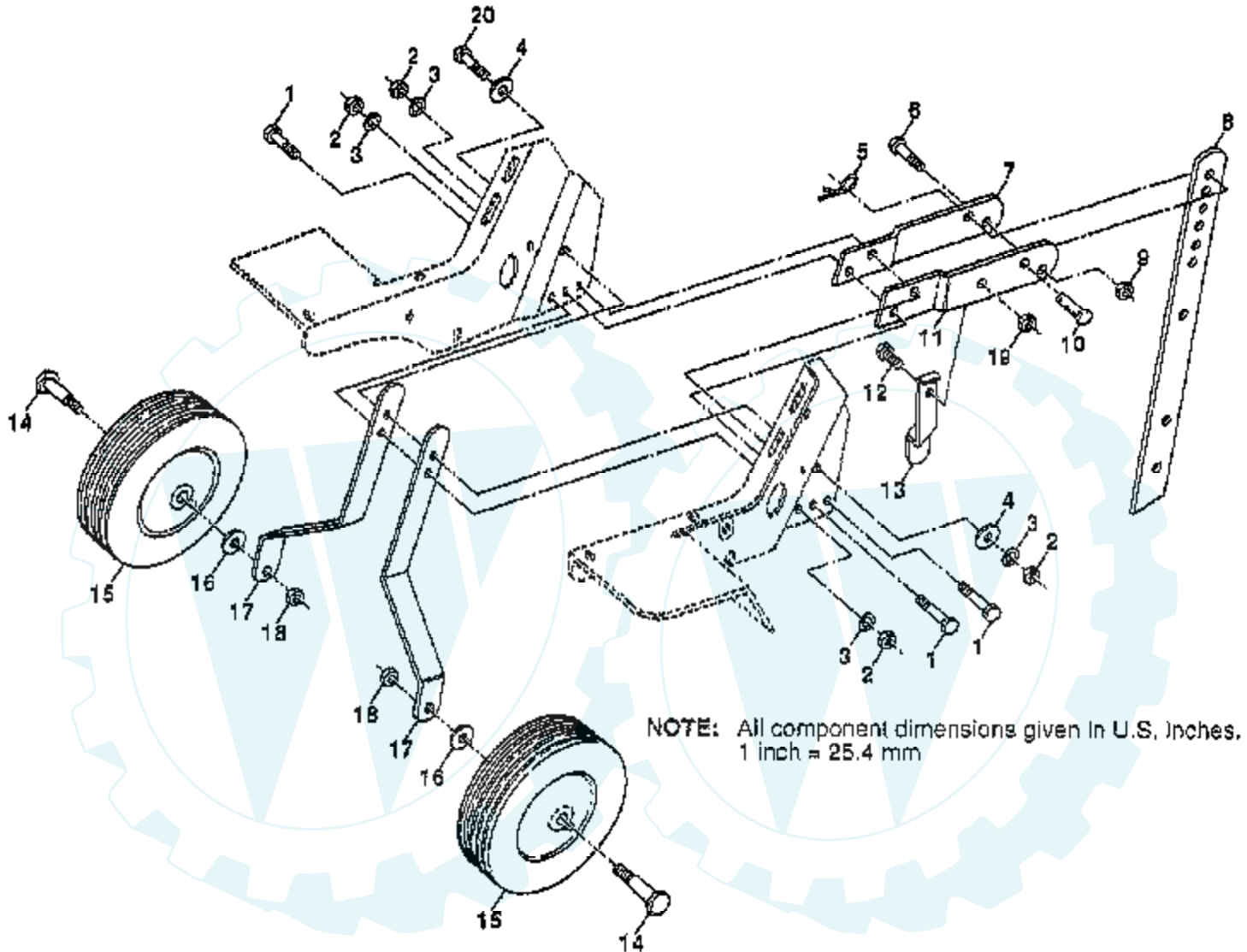
# TILLER - - MODEL NO. PPFT35, (PPFT35A) PRODUCT NO. 954 19 00-01 TRANSMISSION



Ref #	Part Number	Qty	Description
1	874610412		BOLT, HEX 1/4-28 X 3/4 GR. 5
2	810040400		WASHER, LOCK 1/4
3	819092016		WASHER 9/32 X 1-1/4 X 16 GA.
4	819091412		WASHER 9/32 X 7/8 X 12 GA.
5	874760544		BOLT, HEX 5/16-18 X 2-3/4
6	532125357		SUB= 2606J421
7	532009173		SUB= 9173R
8	532125358		SUB= 132212X421
9	810040500		WASHER, LOCK
10	873220500		NUT, HEX
11	819131311		WASHER 13/32 X 13/16 X 11 GA.
13	873800600		LOCKNUT
14	532151937		SUB= 151937
15	873510500		NUT, KEPS 5/16-18
16	874780652		BOLT, HEX 3/8-16 X 3-1/4
17	874760524		BOLT, HEX 5/16-18 X 1-1/2
18			REFER TO IMAGE



# TILLER - - MODEL NO. PPFT35, (PPFT35A) PRODUCT NO. 954 19 00-01 WHEEL AND DEPTH STAKE ASSEMBLY



Ref #	Part Number	Qty	Description
1	874760520		BOLT, HEX 5/16-18 X 1-1/4
2	873220500		NUT, HEX
3	810040500		WASHER, LOCK
4	819121414		WASHER 3/8 X 7/8 X 14 GA.
5	532124961		SUB= 4921H
6	874780628		BOLT, FIN, HEX 3/8-16 X 1-3/4
7	532000318		SUB= 318J
8	532009193		SUB= 9193R500
9	873800600		LOCKNUT
10	532009551		SUB= 9551R
11	532000317		SUB= 317J500
12	874760512		BOLT, HEX 5/16-18 X 3/4
13	532000325		SUB= 325J
14	532121117		SUB= 121117X
15	532127858		SUB= 127858
16	819131311		WASHER 13/32 X 13/16 X 11 GA.
17	532009189		SUB= 674H4
18	873680600		NUT, CROWNLOCK 3/8-16
19	873800500		LOCKNUT
20	874760524		BOLT, HEX 5/16-18 X 1-1/2

