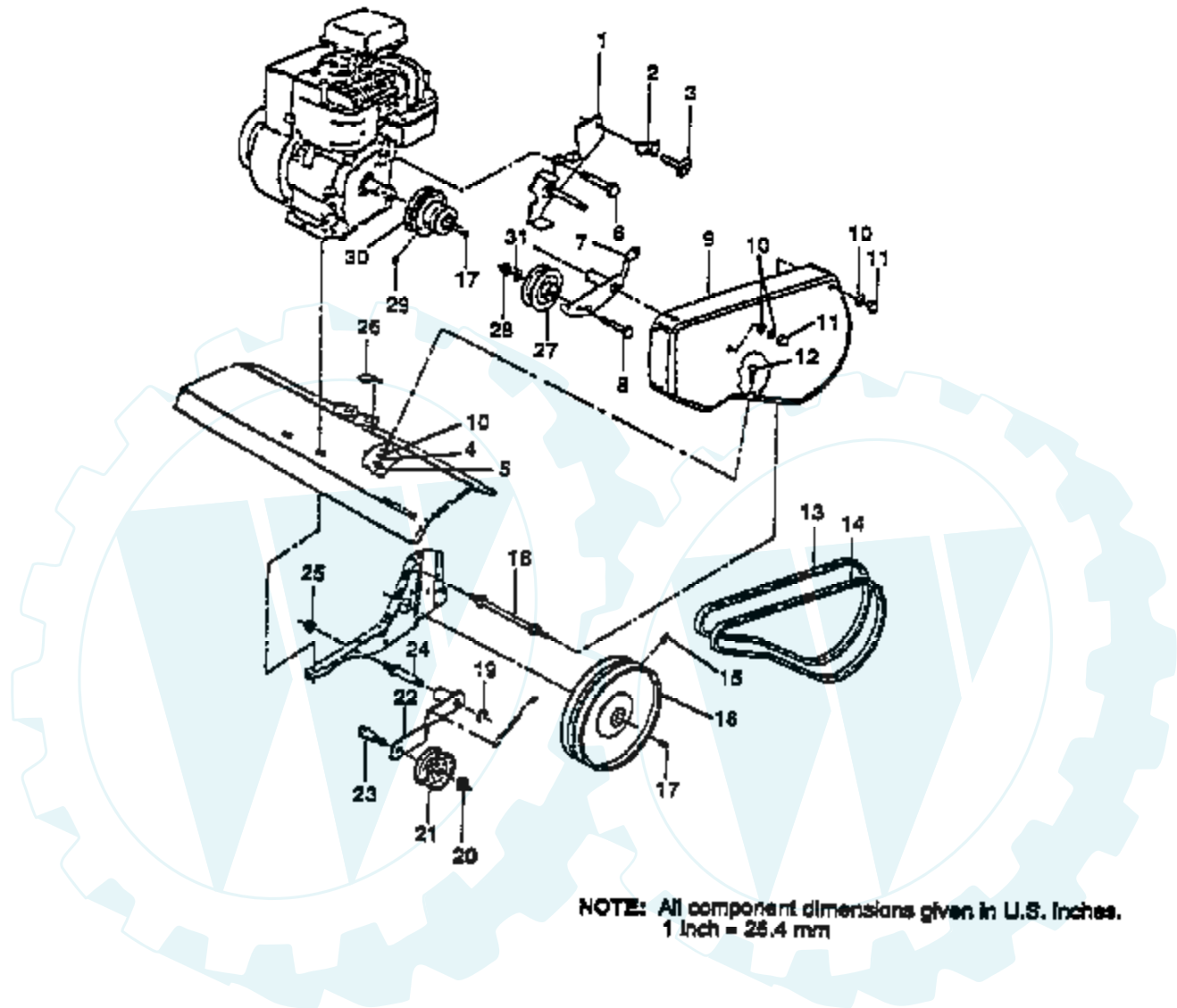


5 HP 26" TILLER -- MODEL NUMBERS NCFR550A / NCFG550A

BELT GUARD AND PULLEY ASSEMBLY

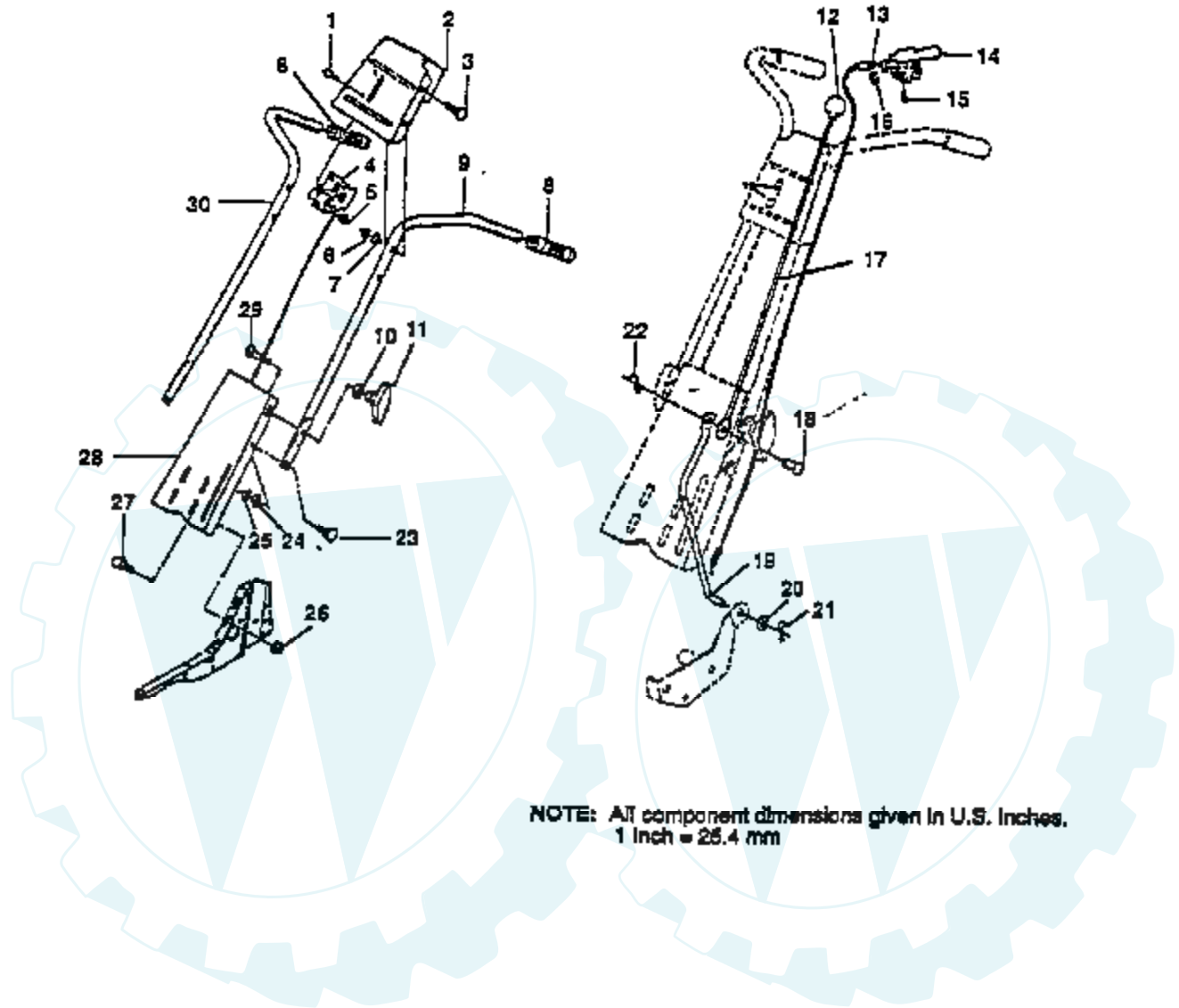


NOTE: All component dimensions given in U.S. Inches.
1 Inch = 25.4 mm

Ref #	Part Number	Qty	Description
1	123643X		SUB= 159268
2	9484R		CONDIUT CLIP T
3	86777		SUB= 750097
4	10040400		LOCKWASHER
5	73220400		SUB= 50675
6	74770812		SCREW
7	106953X		REV IDLER ARM TI
8	74760624		SUB= 74930624
9	106970X423 106970X429		SUB= 106970X505 "GRD,BELT"
10	19091016		WASHER
11	104213X		NUT-CAP TI
12	72140405		BOLT T
13	4833H		SUB= 133035
14	2614J		SUB= TH3H440
15	23230506		SET SCREW
16	2607J		SHEAVE TI
17	2649M		KEY T
18	110550X		BOLT TI
19	12000036		KLIP RING TI
20	73350600		NUT
21	9178R		SUB= 75673
22	674A30		IDLER ARM TI
23	74760620		SUB= 74780620
24	106968X		SHAFT IDLER TI
25	73350500		JAM NUT TI
26	109227X		PAD IDLER TI
27	2009J		PULLEY W/SPACER
28	73220600		NUT.HEX.3/8-16UNC
29	23200404		SET SCREW
30	101189L		ENGINE PULLEY TI
31	19131316 129222 129214		WASHER DECAL, BELT GUARD NLA

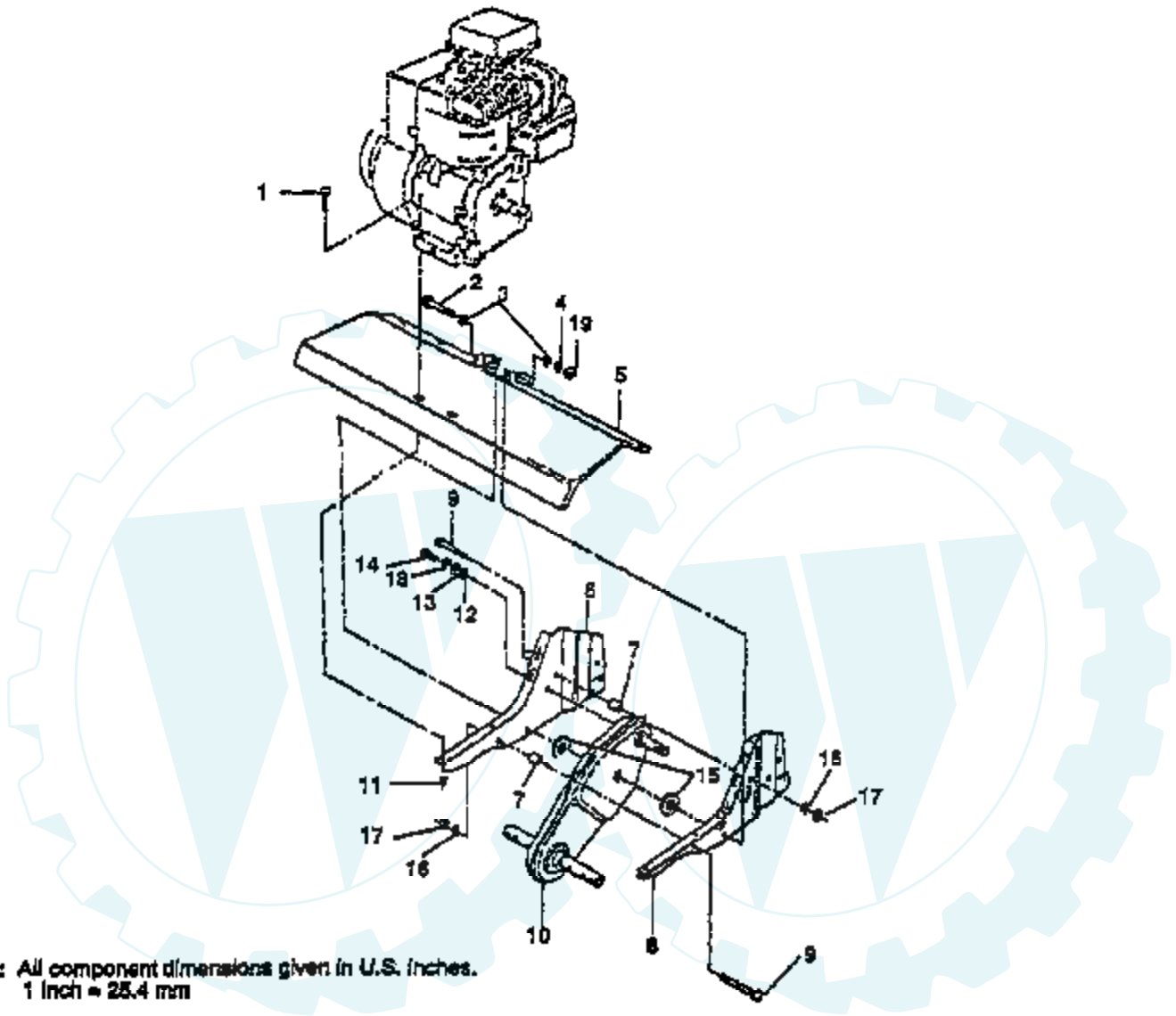
5 HP 26" TILLER - - MODEL NUMBERS NCFR550A / NCFG550A

HANDLE ASSEMBLY



Ref #	Part Number	Qty	Description
1	71091008		SCREW
2	127046X423		BRKT HDLE TI
	127046X429		"BRKT,HANDLE"
3	72140512		BOLT
4	127011X		SUB= 532127011
5	73731000		NUT
6	73680500		SUB= 73690500
7	19111116		WASHER
8	9266R		SUB= 624A78
9	2623J		SUB= 2623J500
10	19121414		WASHER
11	63688		SUB= 136376
12	100196K		SUB= 106932X
13	3066J		CABLE CLUTCH T
14	2635J		CONTROL LEVER TI
15	23200405		SCREW
16	12000027		E-RING
17	101248K		ROD REVERSE TI
18	1778E		RIVET.RD.HD.DRILL
19	2613J		REVERSE ROD TI
20	19131316		WASHER
21	76020412		COTTER PIN
22	76020308		SUB= 3145
23	471J		BOLT CT
24	10040500		LOCKWASHER
25	73220500		NUT.HEX.5/16-18
26	98000129		NUT
27	72140506		BOLT
28	674A150423		SUB= 674A150505
	674A150429		"PANEL,HANDLE "
29	72110510		BOLT
30	2624J		SUB= 2624J500
	121751X		DECAL, THROTTLE
	121753X		DECAL REVERSE
	110614X		DECAL TI
	129213		PLATE, LOGO (HANDLE BRACKET)
	129220		"MANUAL,OWNERS"
	129221		"MANUAL,OWNERS"

TRANSMISSION **5 HP 26" TILLER - - MODEL NUMBERS NCFR550A / NCFG550A**



NOTE: All component dimensions given in U.S. inches.
1 inch = 25.4 mm

Ref #	Part Number	Qty	Description
1	74760524		BOLT.HEX.5/16-1.5
2	74610652		BOLT.3/8-24X3.75
3	19131311		WASHER
4	10040600		LOCKWASHER
5	9057R423		SUB= 9057R505
	9057R429		"SHIELD,TINE"
6	1949J		SUB= 1949J500
7	9173R		SPLIT SPACER RT
8	110519X		BRACKET.ENG.LH.
9	74760544		SUB= 74780544
10	126669X		SUB= 532126669
11	73510500		NUT
12	19091412		WASHER
13	19092016		WASHER
14	74610412		BOLT
15	19171616		WASHER
16	10040500		LOCKWASHER
17	73220500		NUT.HEX.5/16-18
18	10040400		LOCKWASHER
19	7810H		GRIPCO NUT
	110612X		DECAL TI
*	120076X		SUB= 120075X
	121543X		SUB= 271948

