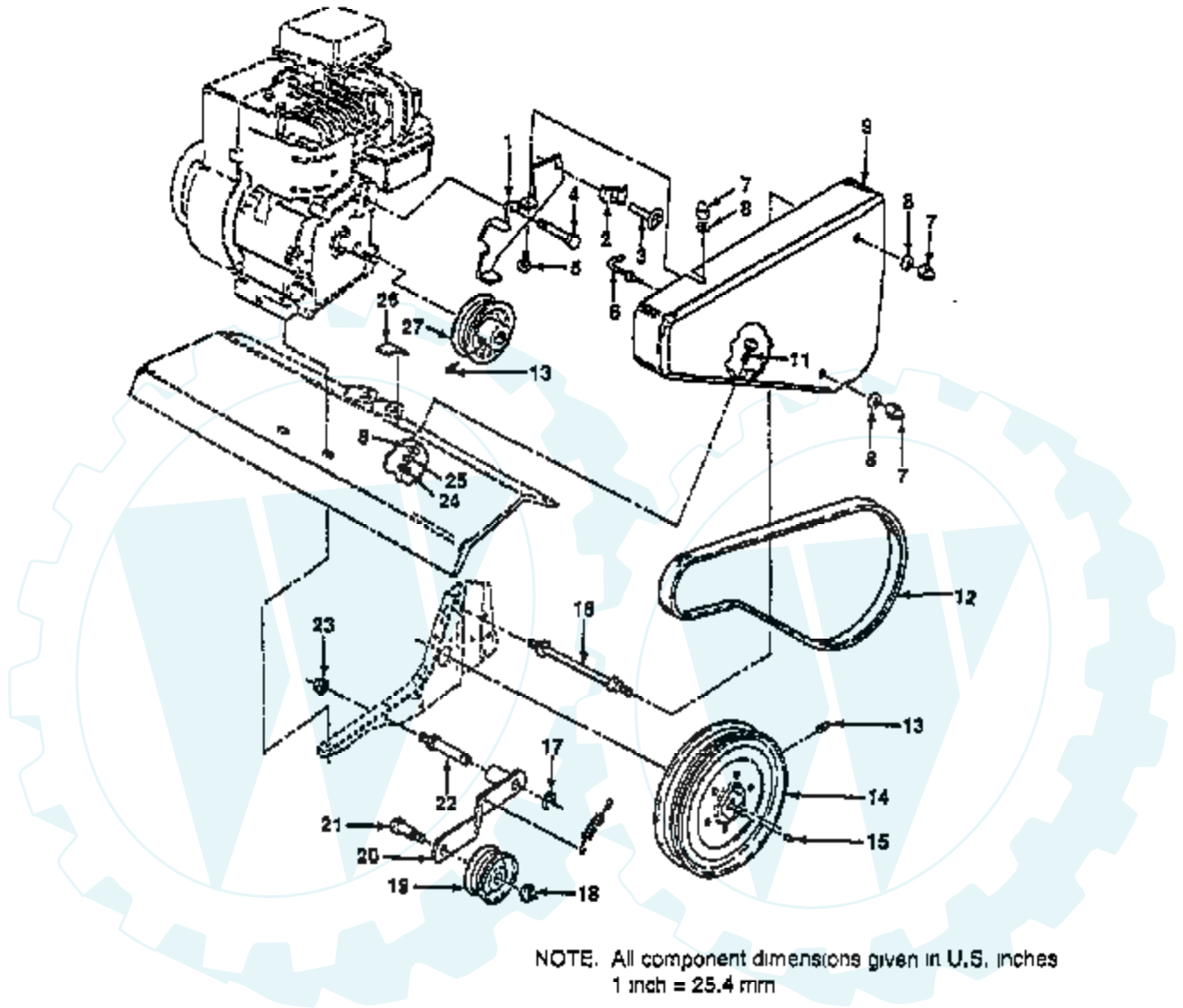
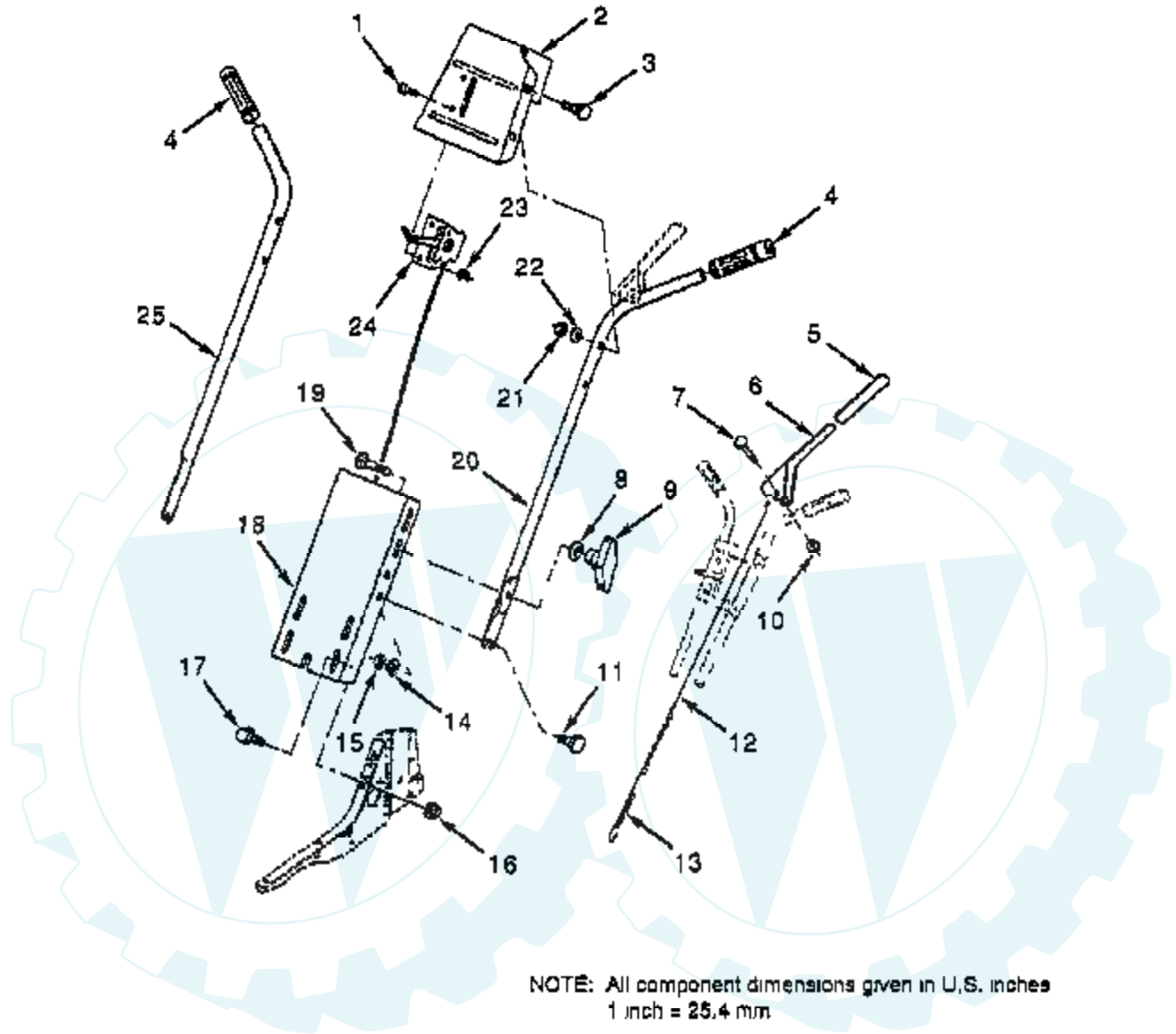


5 HP TILLER - - MODEL NUMBER NCFR500A/NCFG500A
BELT GUARD AND PULLEY ASSEMBLY



| Ref # | Part Number | Qty | Description |
|-------|-------------|-----|-----------------|
| 1 | 121313X | | SUB= 159233 |
| 2 | 9484R | | CONDIUT CLIP T |
| 3 | 86777 | | SUB= 750097 |
| 4 | 74770812 | | SCREW |
| 5 | 72140404 | | BOLT |
| 6 | 121463X | | KEEPER BELT |
| 7 | 104213X | | NUT-CAP TI |
| 8 | 19091016 | | WASHER |
| 9 | 121612X423 | | SUB= 131158X505 |
| | 121612X429 | | "GUARD,BELT" |
| 11 | 72140405 | | BOLT T |
| 12 | 9180R | | V BELT STD |
| 13 | 23230506 | | SET SCREW |
| 14 | 9175R | | TRANS SHEAVE RT |
| 15 | 2649M | | KEY T |
| 16 | 110528X | | BOLT TI |
| 17 | 12000036 | | KLIP RING TI |
| 18 | 73350600 | | NUT |
| 19 | 9178R | | SUB= 75673 |
| 20 | 674A30 | | IDLER ARM TI |
| 21 | 74760620 | | SUB= 74780620 |
| 22 | 106968X | | SHAFT IDLER TI |
| 23 | 73350500 | | JAM NUT TI |
| 24 | 73220400 | | SUB= 50675 |
| 25 | 10040400 | | LOCKWASHER |
| 26 | 109227X | | PAD IDLER TI |
| 27 | 9177R | | SUB= 130812 |
| | 129219 | | NLA |
| | 129214 | | NLA |

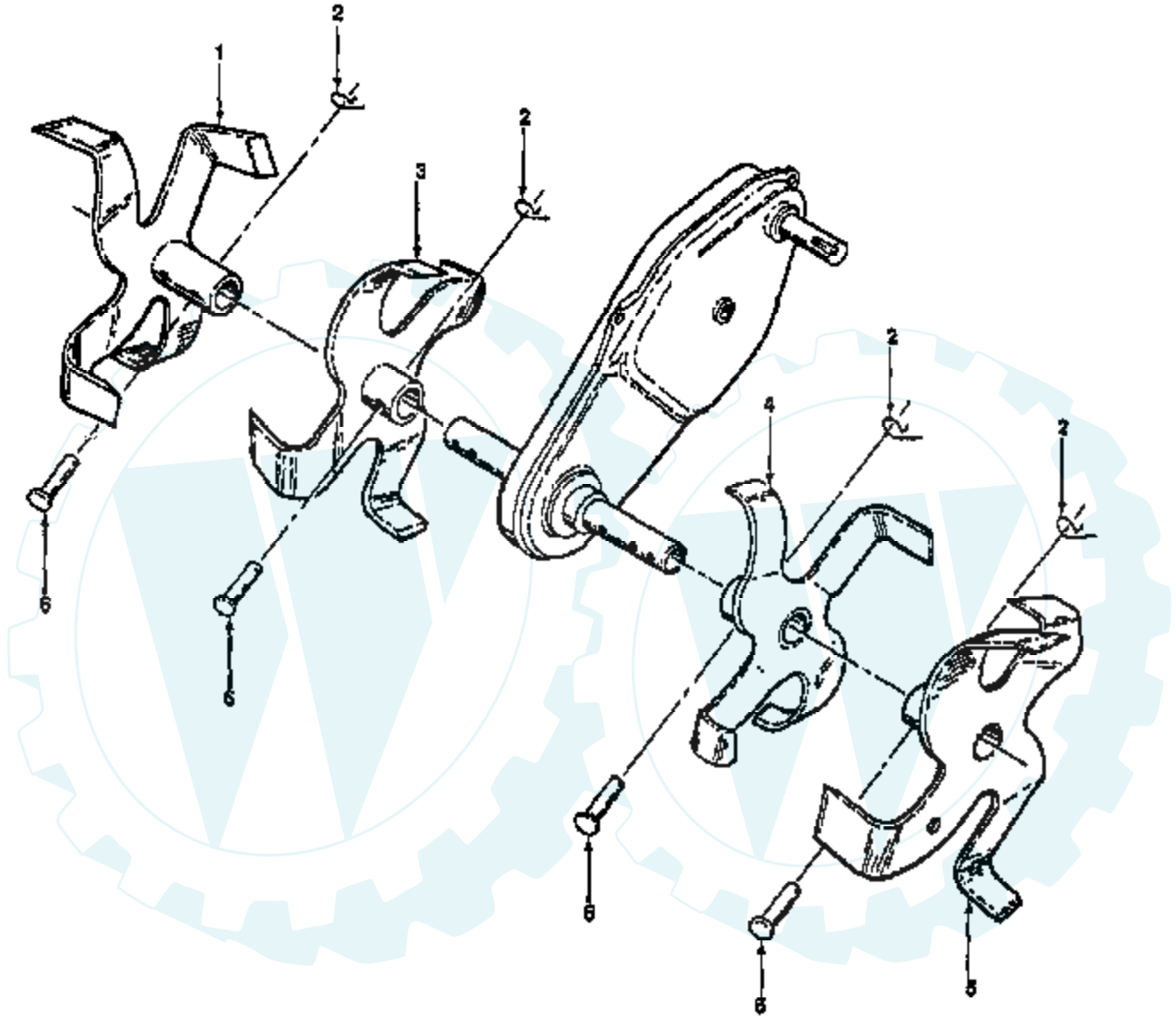
5 HP TILLER - - MODEL NUMBER NCFR500A/NCFG500A
HANDLE ASSEMBLY



NOTE: All component dimensions given in U.S. inches
1 inch = 25.4 mm.

| Ref # | Part Number | Qty | Description |
|-------|-------------|-----|------------------------------|
| 1 | 71091008 | | SCREW |
| 2 | 127046X423 | | BRKT HDLE TI |
| | 127046X429 | | "BRKT,HANDLE" |
| 3 | 72140512 | | BOLT |
| 4 | 9266R | | SUB= 624A78 |
| 5 | 8206H | | GRIP T |
| 6 | 3069J | | SUB= 164937 |
| 7 | 74760524 | | BOLT.HEX.5/16-1.5 |
| 8 | 19121414 | | WASHER |
| 9 | 63688 | | SUB= 136376 |
| 10 | 1685H | | SUB= 68478 |
| 11 | 471J | | BOLT CT |
| 12 | 3067J | | SUB= 100382K |
| 13 | 3070J | | SPRING EXT TI |
| 14 | 10040500 | | LOCKWASHER |
| 15 | 73220500 | | NUT.HEX.5/16-18 |
| 16 | 98000129 | | NUT |
| 17 | 72140506 | | BOLT |
| 18 | 2626J423 | | "PANEL,HANDLE" |
| | 2626J429 | | "PANEL,HANDLE" |
| 19 | 72110510 | | BOLT |
| 20 | 2621J | | SUB= 154127 |
| 21 | 73680500 | | SUB= 73690500 |
| 22 | 19111116 | | WASHER |
| 23 | 73731000 | | NUT |
| 24 | 110531X | | THROTTLE TI |
| 25 | 2622J | | SUB= 159764 |
| | 129213 | | PLATE, LOGO (HANDLE BRACKET) |
| | 121751X | | DECAL, THROTTLE |
| | 110614X | | DECAL TI |
| | 110613X | | DECAL TI |
| | 129217 | | NLA |
| | 129218 | | "MANUAL,OWNERS" |

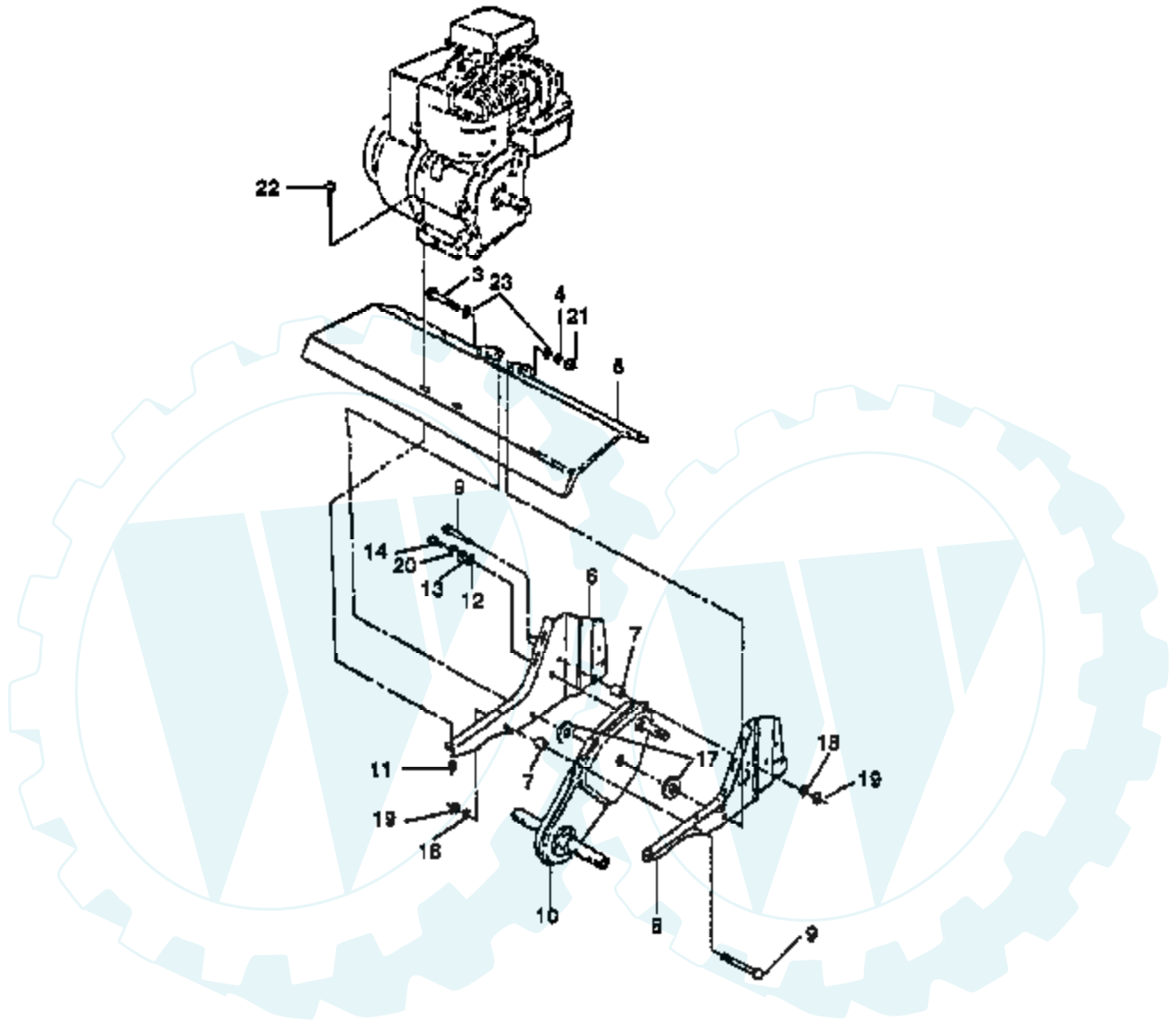
5 HP TILLER - - MODEL NUMBER NCFR500A/NCFG500A
TINE ASSEMBLY



| Ref # | Part Number | Qty | Description |
|-------|-------------|-----|-------------------|
| 1 | 100746M | | TINE WELDMENT TI |
| 2 | 3146R | | RETAINER.SPRING |
| 3 | 674A43 | | TINE TI |
| 4 | 674A42 | | TINE TI |
| 5 | 100744M | | TINE WELDMENT TI |
| 6 | 4929H | | RIVET.PAN HD.1.75 |

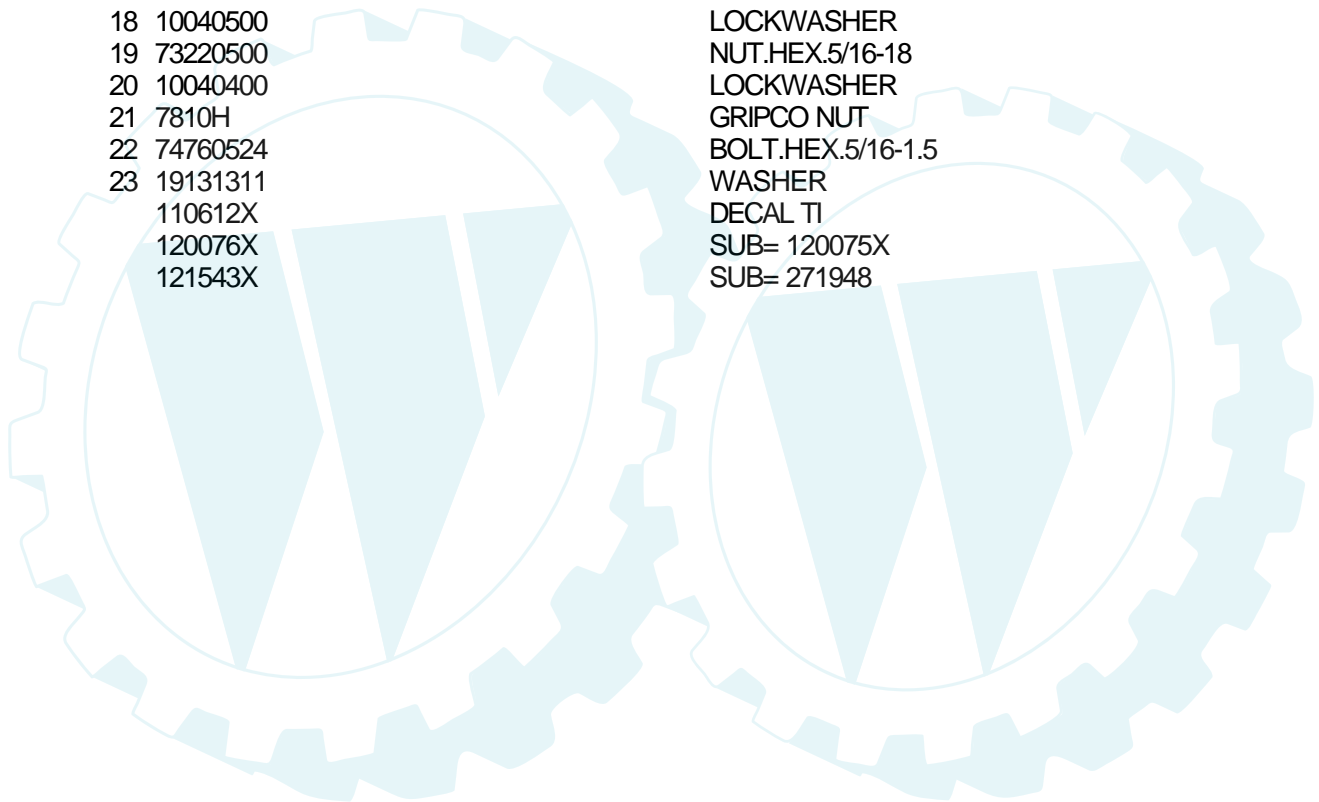


5 HP TILLER - - MODEL NUMBER NCFR500A/NCFG500A
TRANSMISSION

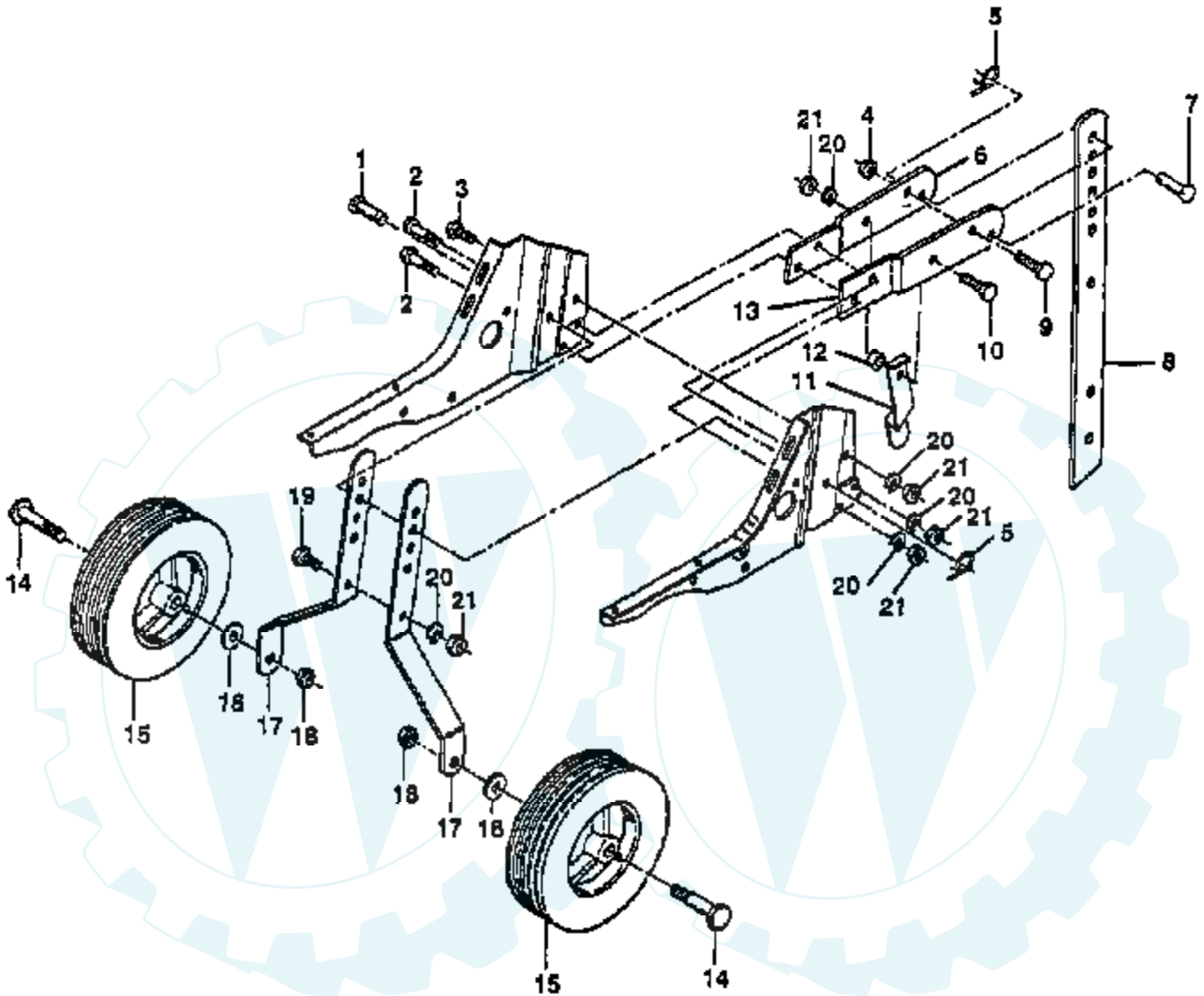


NOTE. All component dimensions given in U.S. inches.
1 inch = 25.4 mm

| Ref # | Part Number | Qty | Description |
|-------|-------------|-----|-------------------|
| 3 | 74610652 | | BOLT.3/8-24X3.75 |
| 4 | 10040600 | | LOCKWASHER |
| 5 | 9057R423 | | SUB= 9057R505 |
| | 9057R429 | | "SHIELD,TINE" |
| 6 | 1949J | | SUB= 1949J500 |
| 7 | 9173R | | SPLIT SPACER RT |
| 8 | 110519X | | BRACKET.ENG.LH. |
| 9 | 74760544 | | SUB= 74780544 |
| 10 | 126669X | | SUB= 532126669 |
| 11 | 73510500 | | NUT |
| 12 | 19091412 | | WASHER |
| 13 | 19092016 | | WASHER |
| 14 | 74610412 | | BOLT |
| 17 | 19171616 | | WASHER |
| 18 | 10040500 | | LOCKWASHER |
| 19 | 73220500 | | NUT.HEX.5/16-18 |
| 20 | 10040400 | | LOCKWASHER |
| 21 | 7810H | | GRIPCO NUT |
| 22 | 74760524 | | BOLT.HEX.5/16-1.5 |
| 23 | 19131311 | | WASHER |
| | 110612X | | DECAL TI |
| | 120076X | | SUB= 120075X |
| | 121543X | | SUB= 271948 |



5 HP TILLER - - MODEL NUMBER NCFR500A/NCFG500A WHEEL AND DEPTH STAKE ASSEMBLY



NOTE: All component dimensions given in U.S. inches.
1 inch = 25.4 mm

| Ref # | Part Number | Qty | Description |
|-------|-------------|-----|-------------------|
| 1 | 9194R | | DRILLED RIVET RT |
| 2 | 74760520 | | BOLT |
| 3 | 74760512 | | BOLT |
| 4 | 7810H | | GRIPCO NUT |
| 5 | 4921H | | SPRING.RETAINER |
| 6 | 1952J | | SUB= 1952J500 |
| 7 | 326J | | SUB= 4929H |
| 8 | 122233X | | SUB= 2582J |
| 9 | 74610624 | | BOLT.3/8-24X1-1/2 |
| 10 | 74760524 | | BOLT.HEX.5/16-1.5 |
| 11 | 5388J | | STAKE SPRING TI |
| 12 | 120958X | | WASHER |
| 13 | 1951J | | SUB= 1951J500 |
| 14 | 121117X | | BOLT SHOULDER |
| 15 | 9188R | | SUB= 107644X |
| 16 | 19131311 | | WASHER |
| 17 | 9190R | | SUB= 9190R500 |
| 18 | 73680600 | | SUB= 73690600 |
| 19 | 74760512 | | BOLT |
| 20 | 10040500 | | LOCKWASHER |
| 21 | 73220500 | | NUT.HEX.5/16-18 |

