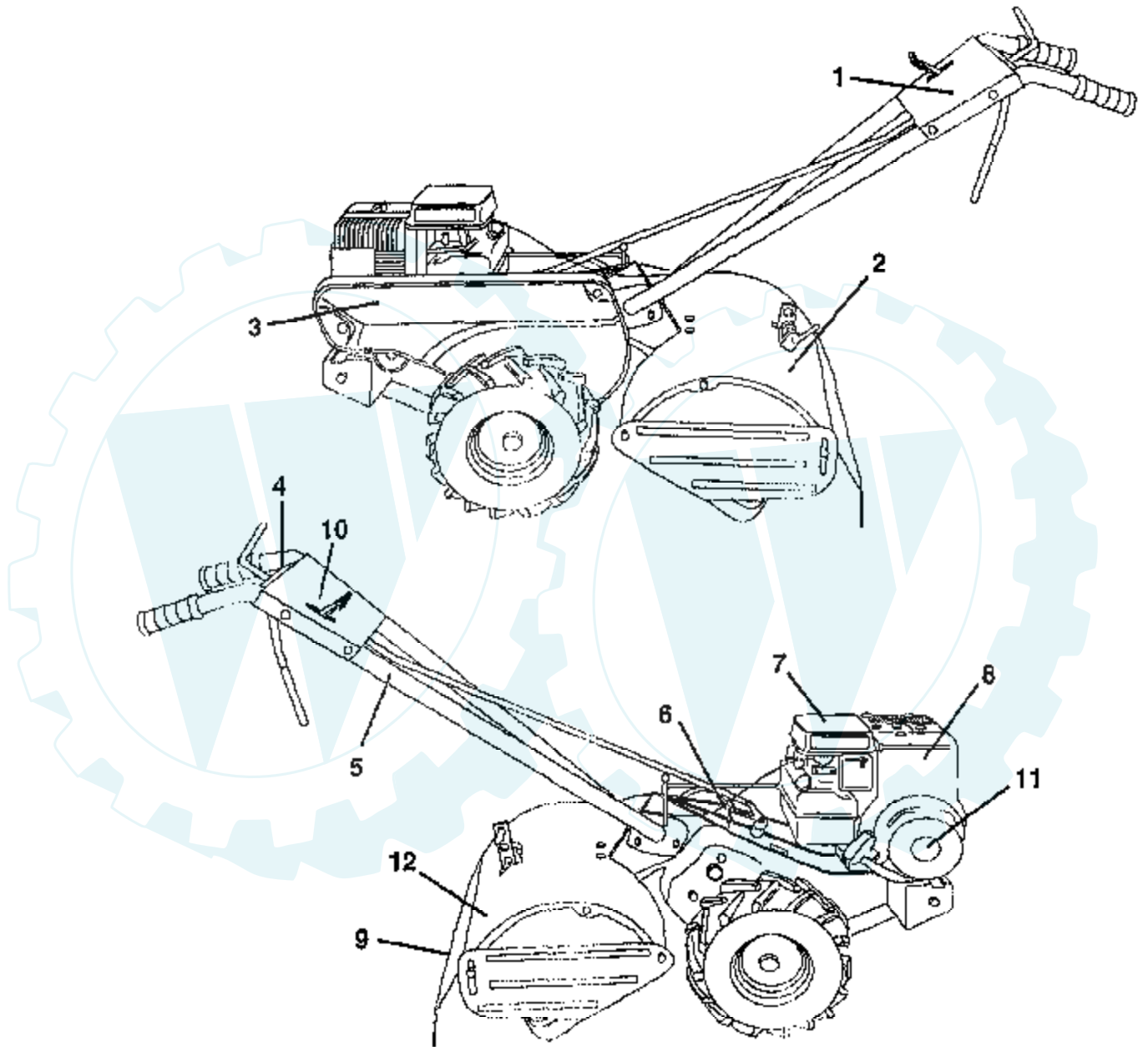


TILLER - - MODEL NUMBER MRT500 (MXR500H)

DECALS

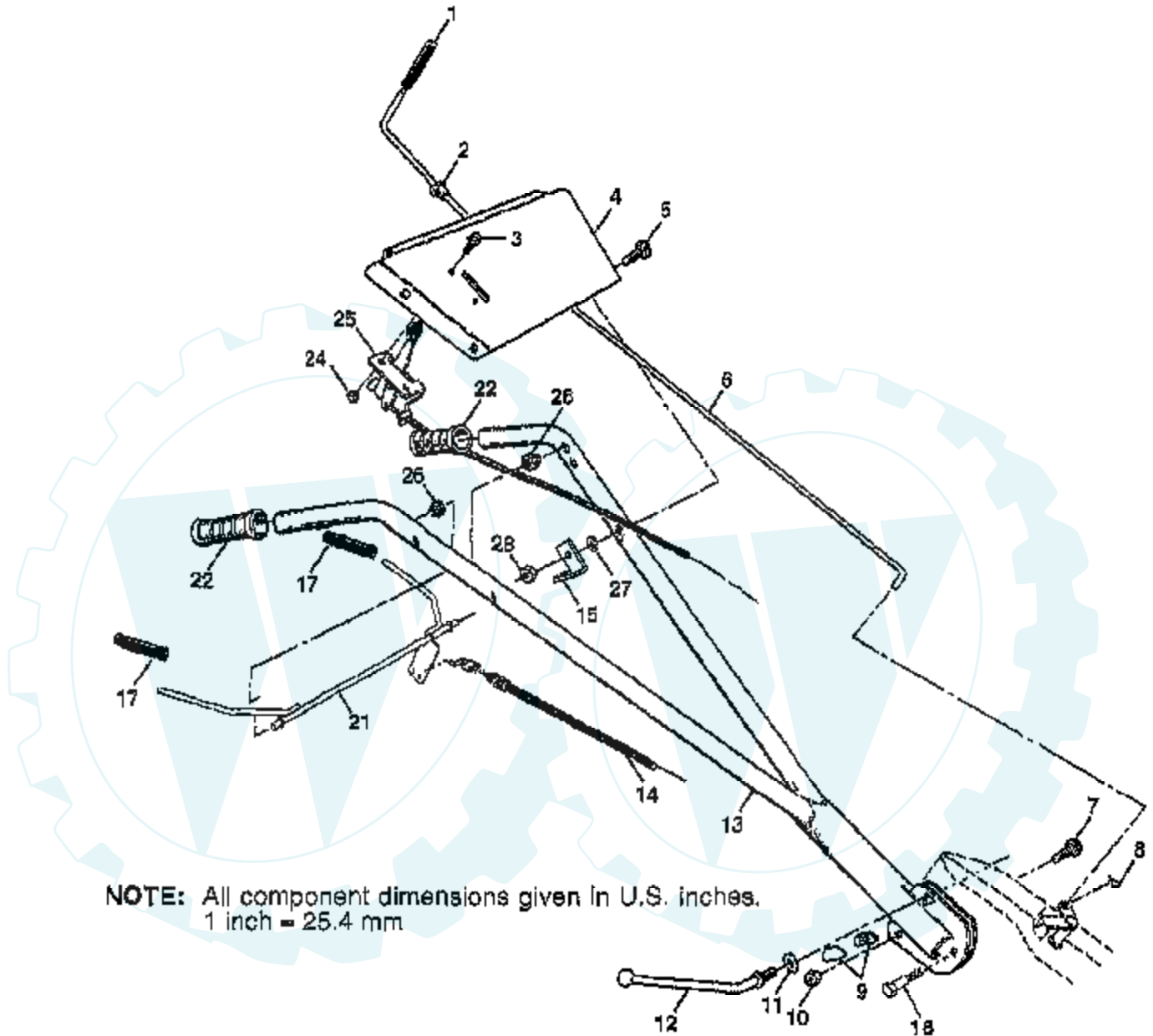


| Ref # | Part Number | Qty | Description |
|-------|-------------|-----|--------------------------|
| 1 | 139072 | | DECAL CNTRL PANEL |
| 2 | 139073 | | DECAL SHIELD TINE |
| 3 | 139074 | | DECAL GUARD BELT |
| 4 | 110678X | | NLA |
| 5 | 110614X | | DECAL TI |
| 6 | 102180X | | DECAL CRT |
| 7 | 110612X | | DECAL TI |
| 8 | 271948 | | DECAL, BRIGGS & STRATTON |
| 9 | 120076X | | SUB= 120075X |
| 10 | 157607 | | "DECAL CONTROL,PNL" |
| 11 | 273721 | | DECAL, 5HP |
| 12 | 162384 | | DECAL.CAUTION |
| | 164037 | | MANUAL.O.MXR500H.E |
| | 164038 | | MANUAL.O.MXR500H.F |

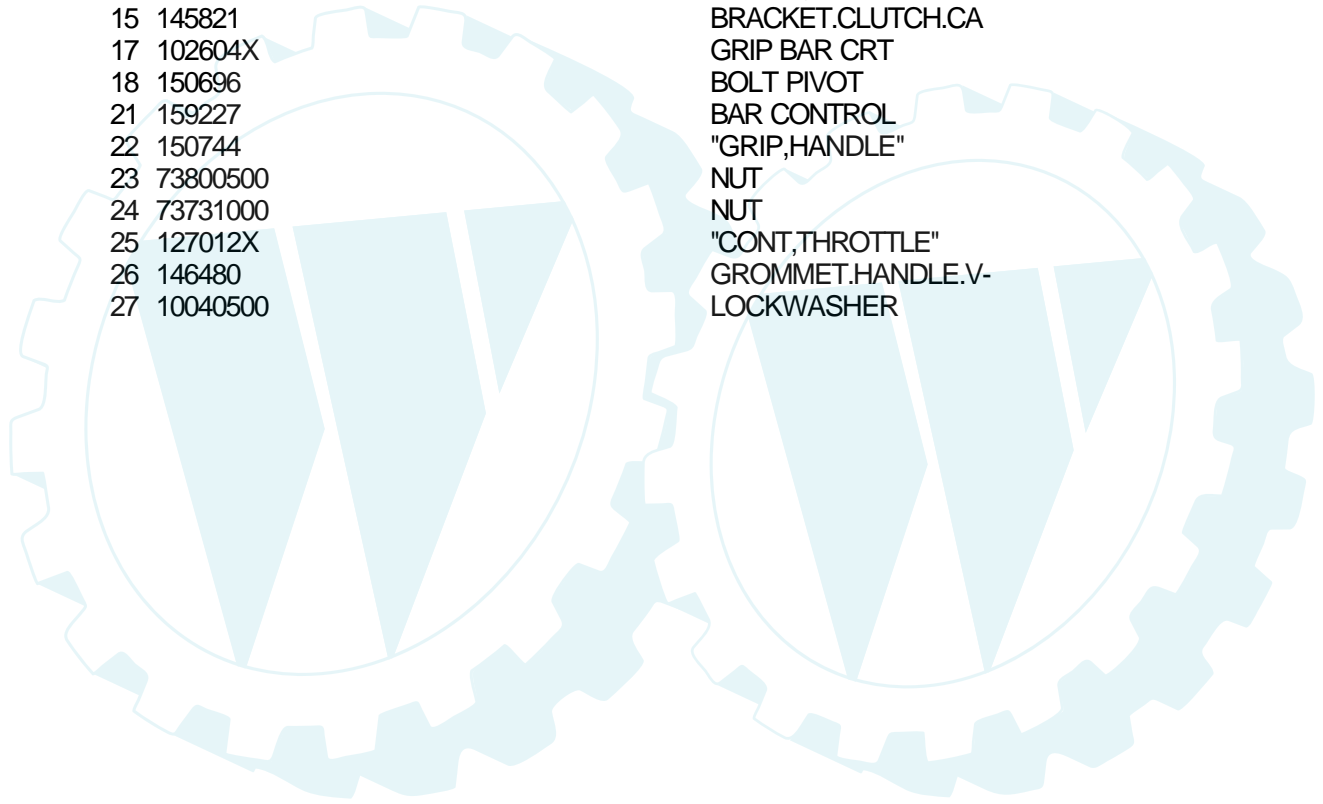


TILLER - - MODEL NUMBER MRT500 (MXR500H)

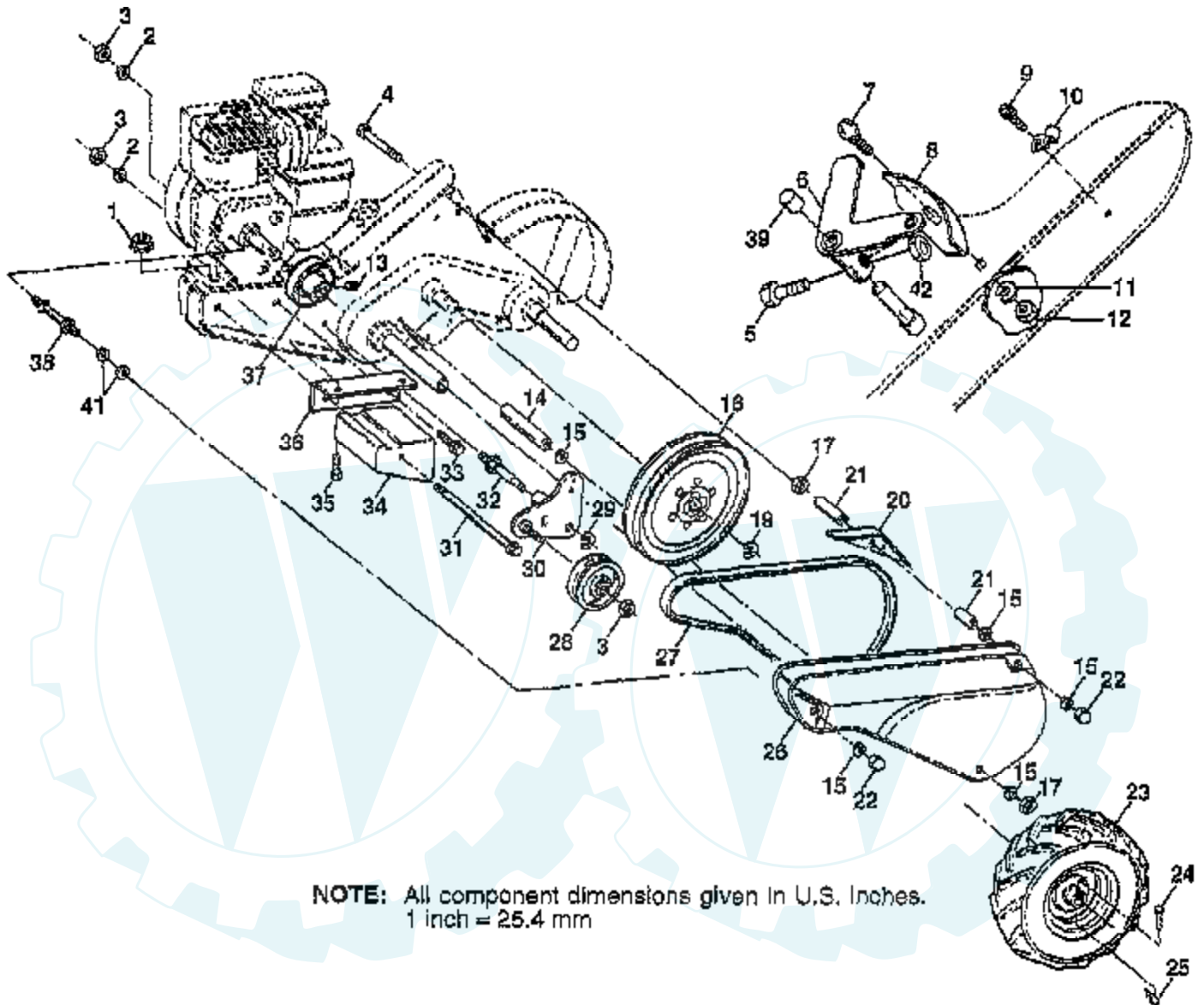
HANDLE ASSEMBLY



| Ref # | Part Number | Qty | Description |
|-------|-------------|-----|-------------------|
| 1 | 8389J | | GRIP TI |
| 2 | 121248X | | BUSHING |
| 3 | 71191008 | | SCREW.PNHD.10-24 |
| 4 | 126949X505 | | HANDLE BRACKET |
| 5 | 72110514 | | BOLT CARRIAGE CRT |
| 6 | 108281X | | ROD SHIFT CRT |
| 7 | 72110608 | | BOLT D |
| 8 | 4497H | | RETAINER M |
| 9 | 109229X | | LOCK CRT |
| 10 | 73930600 | | LOCKNUT |
| 11 | 19131611 | | WASHER CRT |
| 12 | 109228X | | LEVER LOCK CRT |
| 13 | 150217 | | HANDLE |
| 14 | 159232 | | "CABLE, CLUTCH" |
| 15 | 145821 | | BRACKET.CLUTCH.CA |
| 17 | 102604X | | GRIP BAR CRT |
| 18 | 150696 | | BOLT PIVOT |
| 21 | 159227 | | BAR CONTROL |
| 22 | 150744 | | "GRIP,HANDLE" |
| 23 | 73800500 | | NUT |
| 24 | 73731000 | | NUT |
| 25 | 127012X | | "CONT,THROTTLE" |
| 26 | 146480 | | GROMMET.HANDLE.V- |
| 27 | 10040500 | | LOCKWASHER |



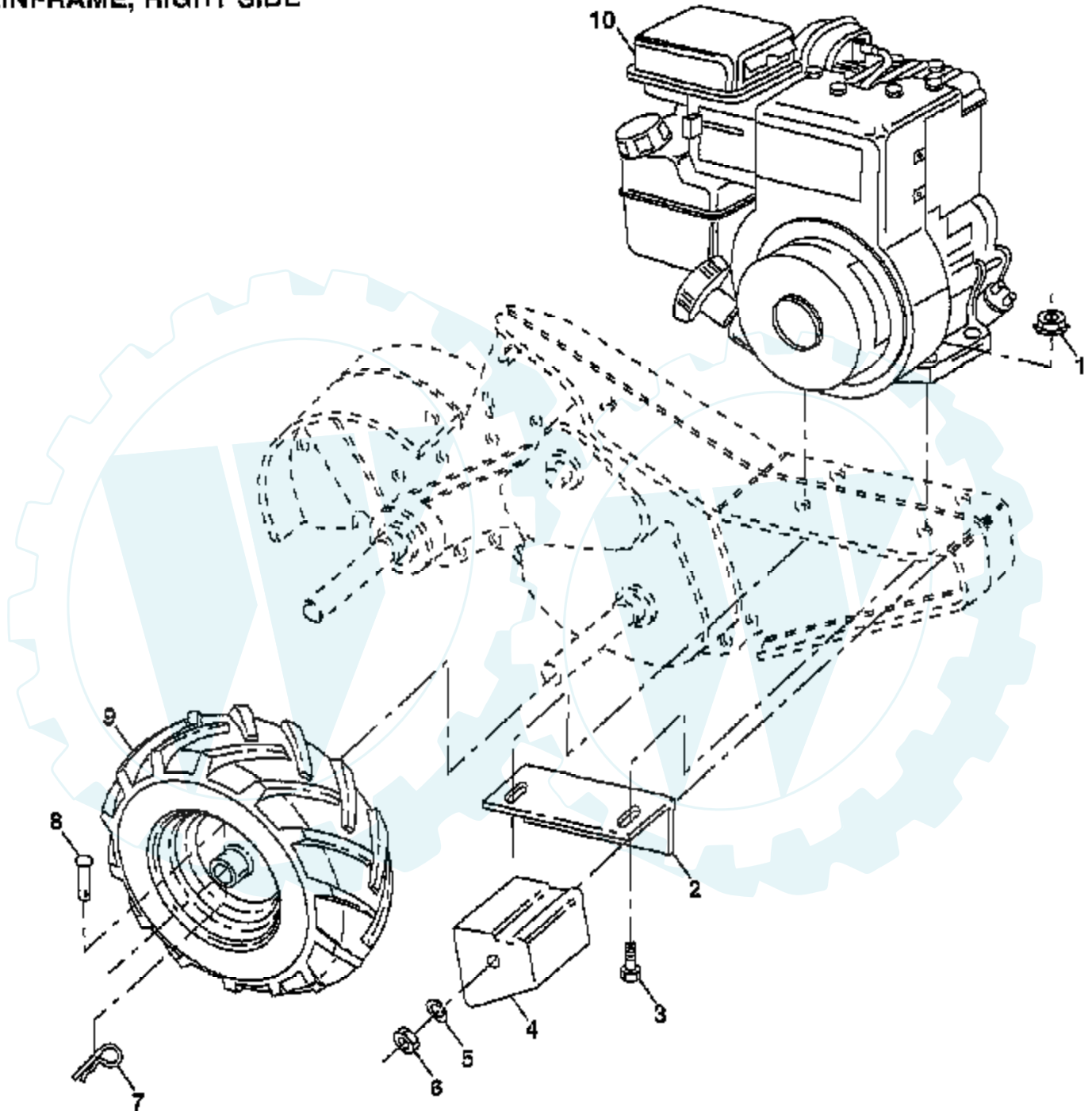
TILLER -- MODEL NUMBER MRT500 (MXR500H) MAINFRAME, LEFT SIDE



| Ref # | Part Number | Qty | Description |
|-------|-------------|-----|-------------------|
| 1 | 73510500 | | NUT |
| 2 | 10040600 | | LOCKWASHER |
| 3 | 73220600 | | NUT.HEX.3/8-16UNC |
| 4 | 74930568 | | BOLT TI |
| 5 | 154734 | | "SCREW-LEVER,SHI" |
| 6 | 110111X | | LEVER ASM CRT |
| 7 | 72110404 | | BOLT |
| 8 | 8700J | | PANEL TI |
| 9 | 86777 | | SUB= 750097 |
| 10 | 9484R | | CONDIUT CLIP T |
| 11 | 10040400 | | LOCKWASHER |
| 12 | 73220400 | | SUB= 50675 |
| 13 | 23230506 | | SET SCREW |
| 14 | 120938X | | SPACER |
| 15 | 19111116 | | WASHER |
| 16 | 145102 | | SHEAVE.TRANS. |
| 17 | 73220500 | | NUT.HEX.5/16-18 |
| 19 | 12000028 | | SUB= 2267J |
| 20 | 110653X | | GUARD CRT |
| 21 | 145216 | | SPACER.SPLIT |
| 22 | 104214X | | NUT TI |
| 23 | 102190X | | TIRE.CHV.13X5.0-6 |
| 23 | 150750 | | SUB= 150750X427 |
| 23 | 795R | | SUB= 65139 |
| 24 | 126875X | | RIVET.DRILL.1.75 |
| 25 | 4497H | | RETAINER M |
| 26 | 131159X505 | | "GUARD, BELT" |
| 27 | 132672 | | BELT-V |
| 28 | 104679X | | PULLEY-IDLER TI |
| 29 | 12000032 | | KLIP RING |
| 30 | 159229 | | BRACKET ASM IDLER |
| 31 | 102384X | | BOLT CRT |
| 32 | 102141X | | SHIFT ARM CRT |
| 33 | 74760616 | | BOLT |
| 34 | 102383X | | COUNTERWEIGHT CRT |
| 35 | 74760524 | | BOLT.HEX.5/16-1.5 |
| 36 | 102331X | | BRACKET LH CRT |
| 37 | 130816 | | ENGINE SHEAVE |
| 38 | 145822 | | STUD.GUARD.BELT |
| 39 | 140062 | | CAP PLUNGER BLACK |
| 41 | 19111610 | | WASHER |
| 42 | 69180 | | LOCKNUT |

TILLER - - MODEL NUMBER MRT500 (MXR500H)

MAINFRAME, RIGHT SIDE



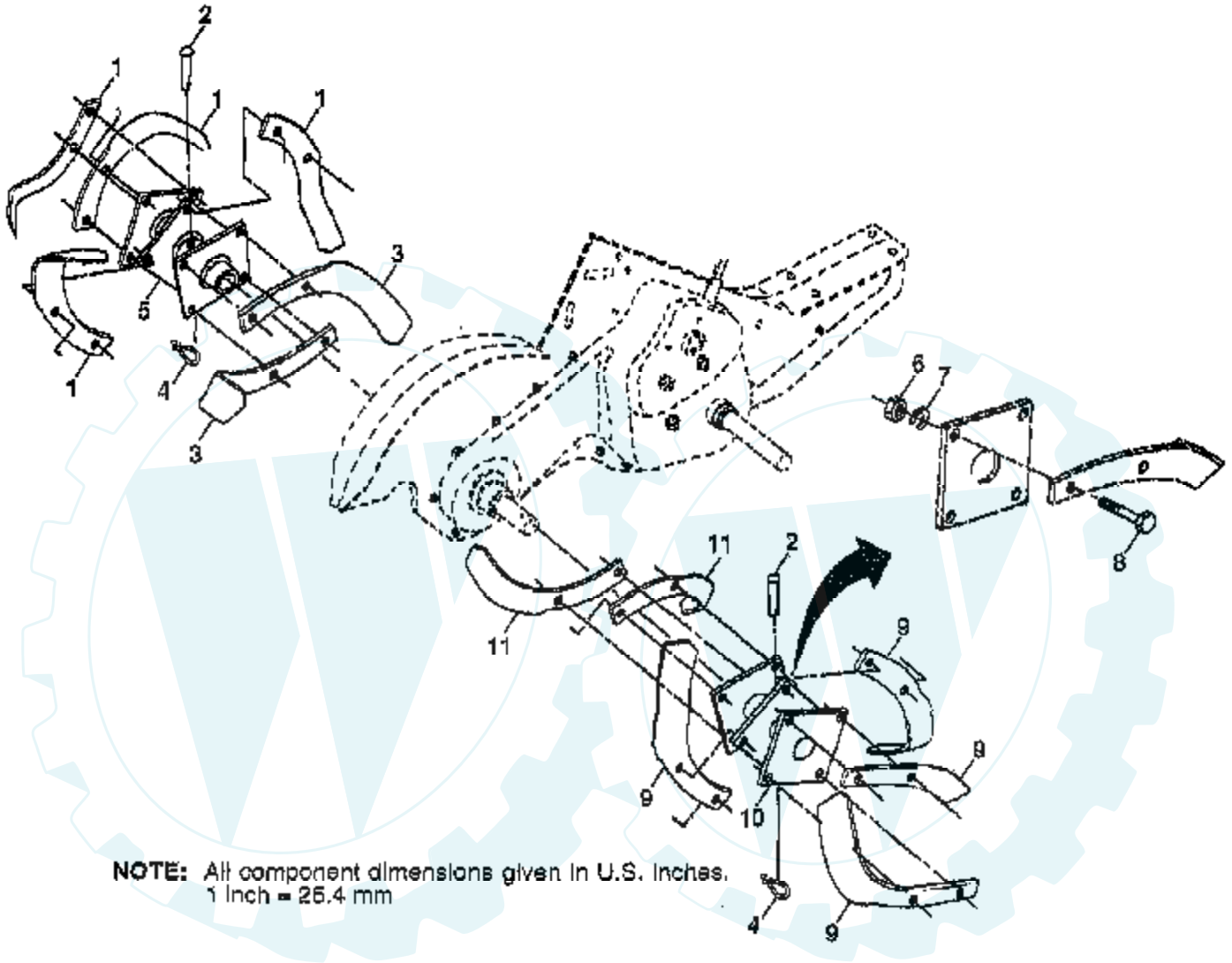
NOTE: All component dimensions given in U.S.inches.
1 inch = 25.4 mm

| Ref # | Part Number | Qty | Description |
|-------|-------------|-----|---------------------|
| 1 | 73510500 | | NUT |
| 2 | 102332X | | BRACKET RH CRT |
| 3 | 74760524 | | BOLT.HEX.5/16-1.5 |
| 4 | 102173X | | COUNTERWEIGHT CRT |
| 5 | 10040600 | | LOCKWASHER |
| 6 | 73220600 | | NUT.HEX.3/8-16UNC |
| 7 | 4497H | | RETAINER M |
| 8 | 126875X | | RIVET.DRILL.1.75 |
| 9 | 102190X | | TIRE.CHV.13X5.0-6 |
| 9 | 150750 | | SUB= 150750X427 |
| 9 | 795R | | SUB= 65139 |
| 10 | | | CHECK WITH SUPPLIER |



TILLER - - MODEL NUMBER MRT500 (MXR500H)

TINE ASSEMBLY

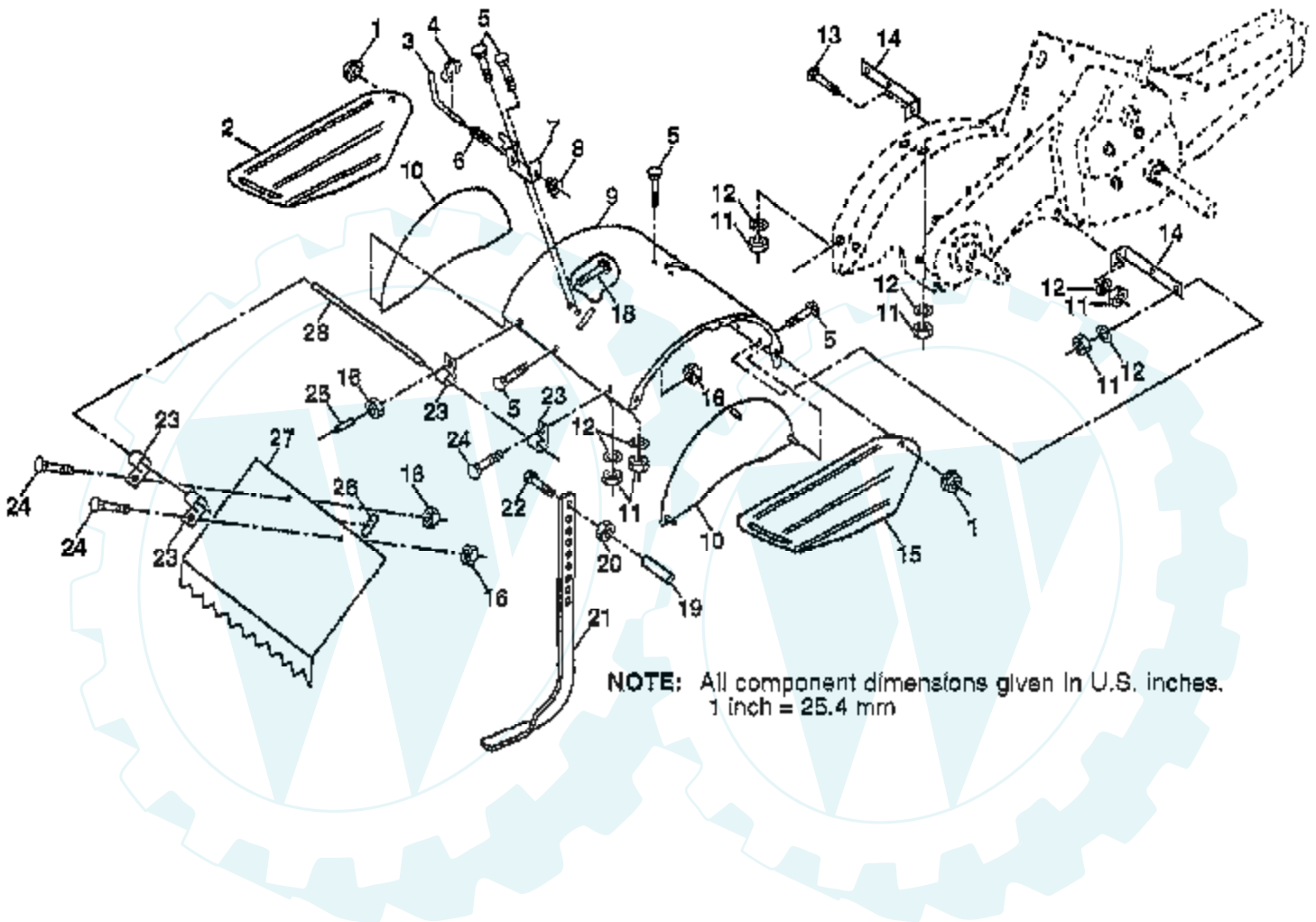


| Ref # | Part Number | Qty | Description |
|-------|-------------|-----|------------------|
| 1 | 4459J | | SUB= 6554J |
| 2 | 132673 | | PIN.CLEVIS.SHEAR |
| 3 | 6554J | | "TINE.LH.12"" |
| 4 | 3146R | | RETAINER.SPRING |
| 5 | 132727 | | HUB&PLATE ASM LH |
| 6 | 73610600 | | SUB= 7810H |
| 7 | 10040600 | | LOCKWASHER |
| 8 | 74610616 | | BOLT |
| 9 | 4460J | | SUB= 6555J |
| 10 | 132728 | | HUB&PLATE ASM RH |
| 11 | 6555J | | "TINE.RH.12"" |

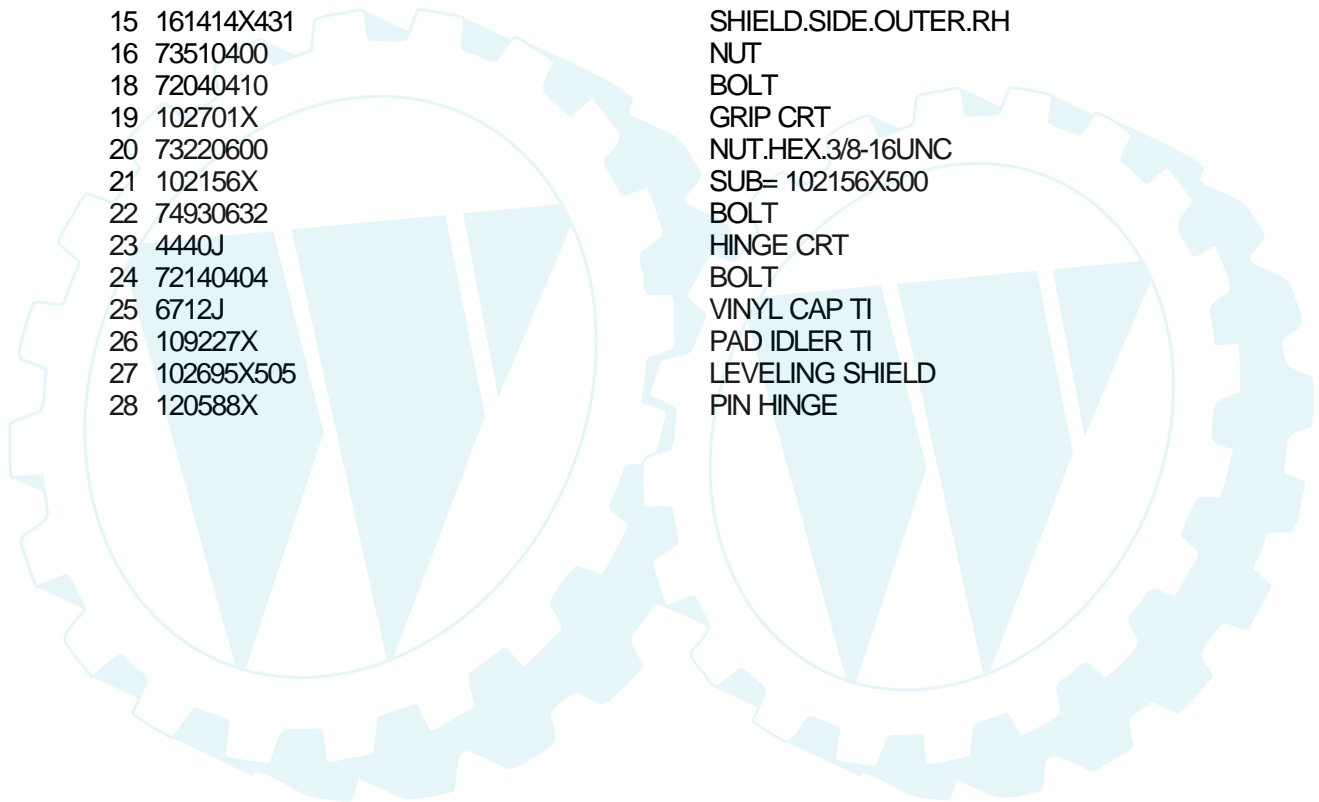


TILLER - - MODEL NUMBER MRT500 (MXR500H)

TINE SHIELD

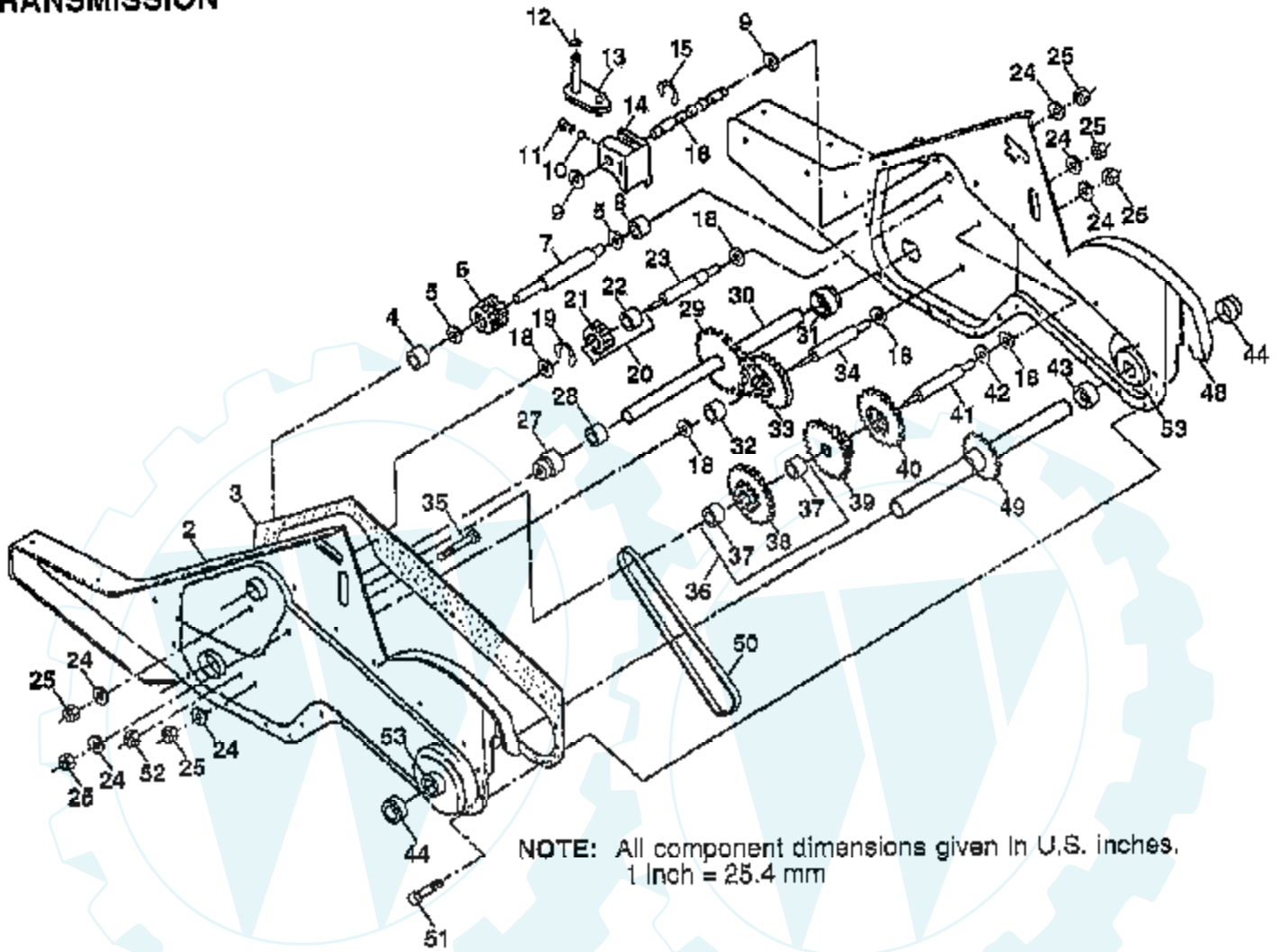


| Ref # | Part Number | Qty | Description |
|-------|-------------|-----|----------------------|
| 1 | 98000129 | | NUT |
| 2 | 161415X431 | | SHIELD.SIDE.OUTER.LH |
| 3 | 8393J | | STAKE PIN TI |
| 4 | 12000036 | | KLIP RING TI |
| 5 | 72140506 | | BOLT |
| 6 | 8394J | | SPRING TI |
| 7 | 8392J | | LATCH BRACKET TI |
| 8 | 109230X | | SPRING CRT |
| 9 | 102326X505 | | "SHIELD, TINE" |
| 10 | 104085X505 | | "SHIELD, SIDE" |
| 11 | 73220500 | | NUT.HEX.5/16-18 |
| 12 | 10040500 | | LOCKWASHER |
| 13 | 72110510 | | BOLT |
| 14 | 124343X | | BRKT SHIELD TINE |
| 15 | 161414X431 | | SHIELD.SIDE.OUTER.RH |
| 16 | 73510400 | | NUT |
| 18 | 72040410 | | BOLT |
| 19 | 102701X | | GRIP CRT |
| 20 | 73220600 | | NUT.HEX.3/8-16UNC |
| 21 | 102156X | | SUB= 102156X500 |
| 22 | 74930632 | | BOLT |
| 23 | 4440J | | HINGE CRT |
| 24 | 72140404 | | BOLT |
| 25 | 6712J | | VINYL CAP TI |
| 26 | 109227X | | PAD IDLER TI |
| 27 | 102695X505 | | LEVELING SHIELD |
| 28 | 120588X | | PIN HINGE |



TILLER -- MODEL NUMBER MRT500 (MXR500H)

TRANSMISSION



NOTE: All component dimensions given in U.S. inches.
1 inch = 25.4 mm

| Ref # | Part Number | Qty | Description |
|-------|-------------|-----|-------------------|
| 1 | 154354 | | SUB= 165805 |
| 2 | 150698 | | GEARCASE LH W/BRG |
| 3 | 106211X | | GASKET TI |
| 4 | 5020J | | NEEDLE BRNG LT |
| 5 | 1370H | | "T, BEARING" |
| 6 | 137335 | | GEAR PINION INPUT |
| 7 | 145101 | | "SHAFT.INPUT."D"" |
| 8 | 4895H | | "TI, BEARING" |
| 9 | 154467 | | WASHER SEAL |
| 10 | 7392M | | SUB= 100482K |
| 11 | 100371K | | SPRING-SHIFT CRT |
| 12 | 106160X | | O-RING TI |
| 13 | 142145 | | BRACKET ASM SHIFT |
| 14 | 8353J | | SHIFT FORK TI |
| 15 | 12000039 | | KLIP RING |
| 16 | 154466 | | SHAFT.SHIFTER |
| 18 | 4358J | | WASHER |
| 19 | 12000040 | | KLIP RING |
| 20 | 102114X | | GEAR ASSY CRT |
| 21 | 102115X | | GEAR-REV IDLR CRT |
| 22 | 6803J | | NEEDLE BEARING TI |
| 23 | 102111X | | SHAFT CRT |
| 24 | 10040700 | | LOCKWASHER |
| 25 | 73610700 | | NUT.ASF.HEX.7/16 |
| 27 | 143009 | | BEARING.SHAFT.LH. |
| 28 | 106390X | | BUSHING TI |
| 29 | 102134X | | CHAIN CRT |
| 30 | 150737 | | GROUND SHAFT ASSY |
| 31 | 143008 | | BEARING.SHAFT.RH. |
| 32 | 106388X | | SPACER TI |
| 33 | 102121X | | SPRCKT 8 GEAR CRT |
| 34 | 102112X | | SHFT 2ND RED. CRT |
| 35 | 102101X | | SCRW WHIZ LOK CRT |
| 36 | 154355 | | SPROCKET.ASM.W/BR |
| 37 | 4422J | | BEARING |
| 38 | 154356 | | SUB= 154355 |
| 39 | 105345X | | GEAR TI |
| 40 | 105346X | | GEAR TI |
| 41 | 8358J | | REDUCTION SHFT TI |
| 42 | 4220R | | BRNG RACE |
| 43 | 106146X | | SPACER TI |
| 44 | 155236 | | SEAL ASM-OIL |
| 48 | 150700 | | GEARCASE RH W/BRG |
| 49 | 132688 | | TINE SHAFT |
| 50 | 106147X | | CHAIN.50 LINK TI |
| 51 | 17720408 | | SCREW |
| 52 | 73220500 | | NUT.HEX.5/16-18 |
| 53 | 122204X | | SUB= 918122204X |
| | 6066J | | GREASE PREMIUM-1 |