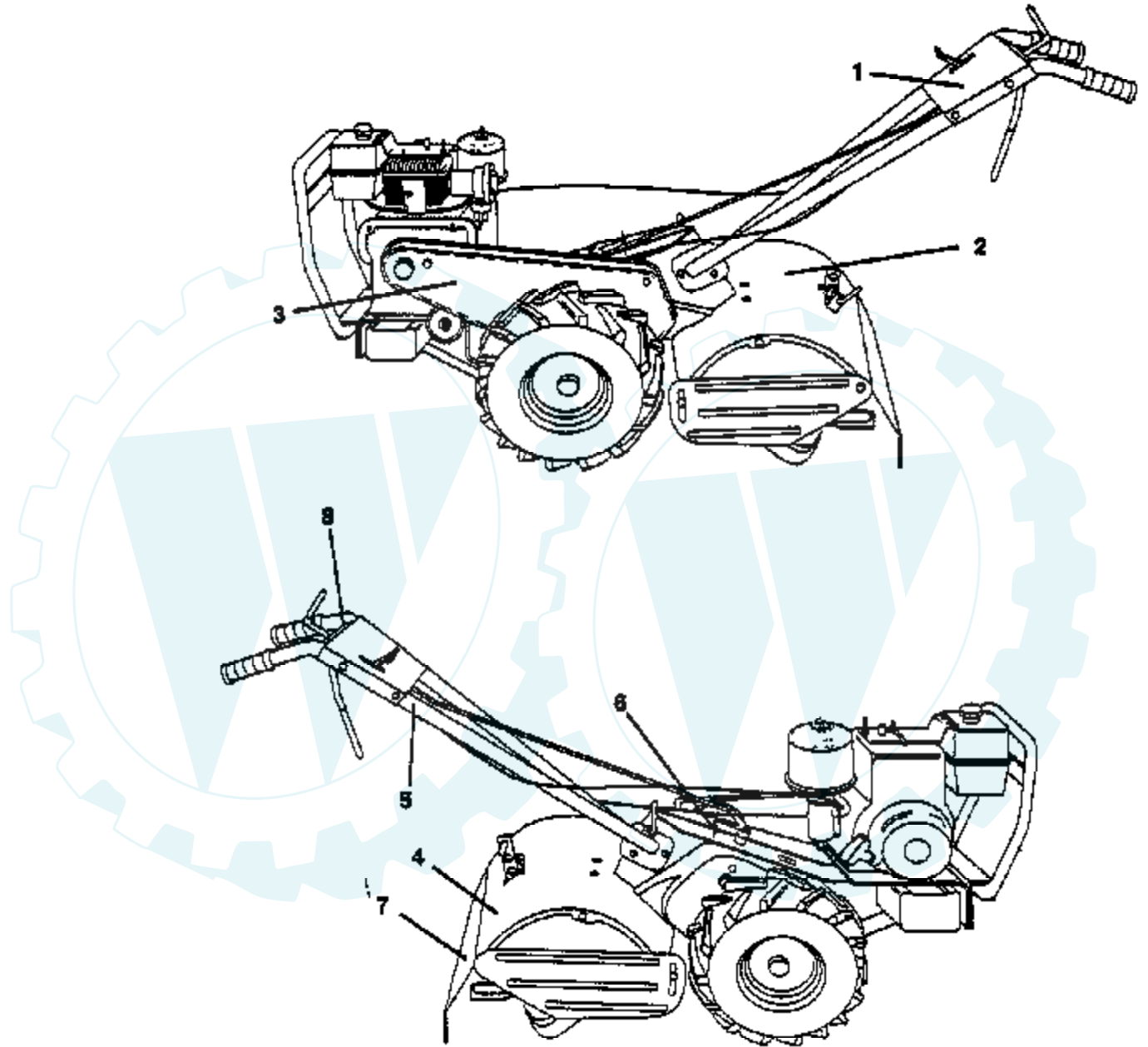


TILLER -- MODEL NUMBER HDRT600A

DECALS

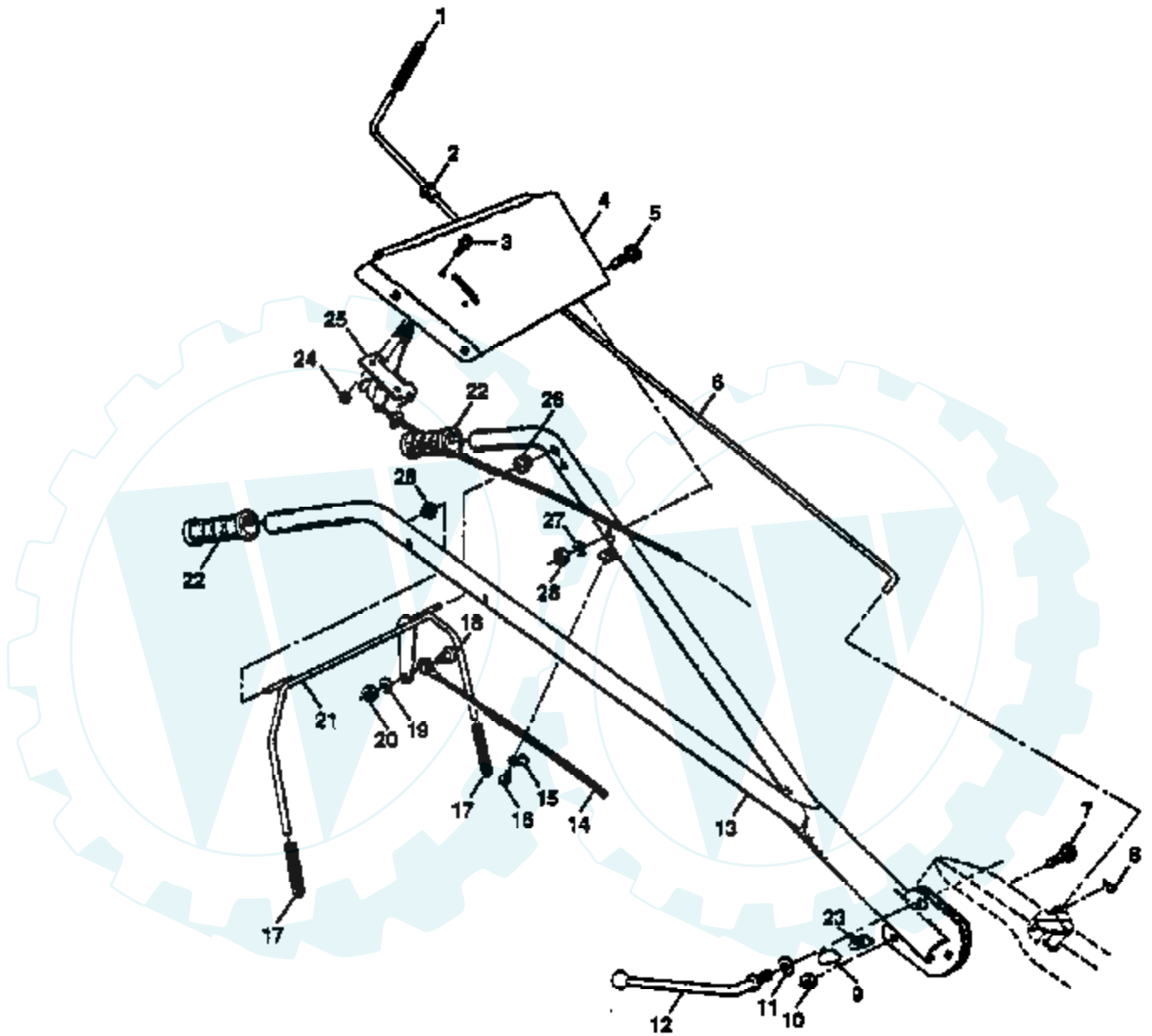


Ref #	Part Number	Qty	Description
1	147899		DCL.CNTL.CRT19
2	147890		DECAL.SHIELD.TINE
3	147897		DECL.GRD.BLT.WEED
4	141909		DECAL.CAUTION.E/S
5	141907		DECAL.HAND.PLACE
6	138546		DECAL.SHIFT.IND.
7	141906		DECAL.WARN.ROT.TI
8	143678		DECAL.CONTROL
	147998		MN.OWN.HDRT600A.E
	147999		MN.OWN.HDRT600A.S



TILLER - - MODEL NUMBER HDRT600A

HANDLE ASSEMBLY

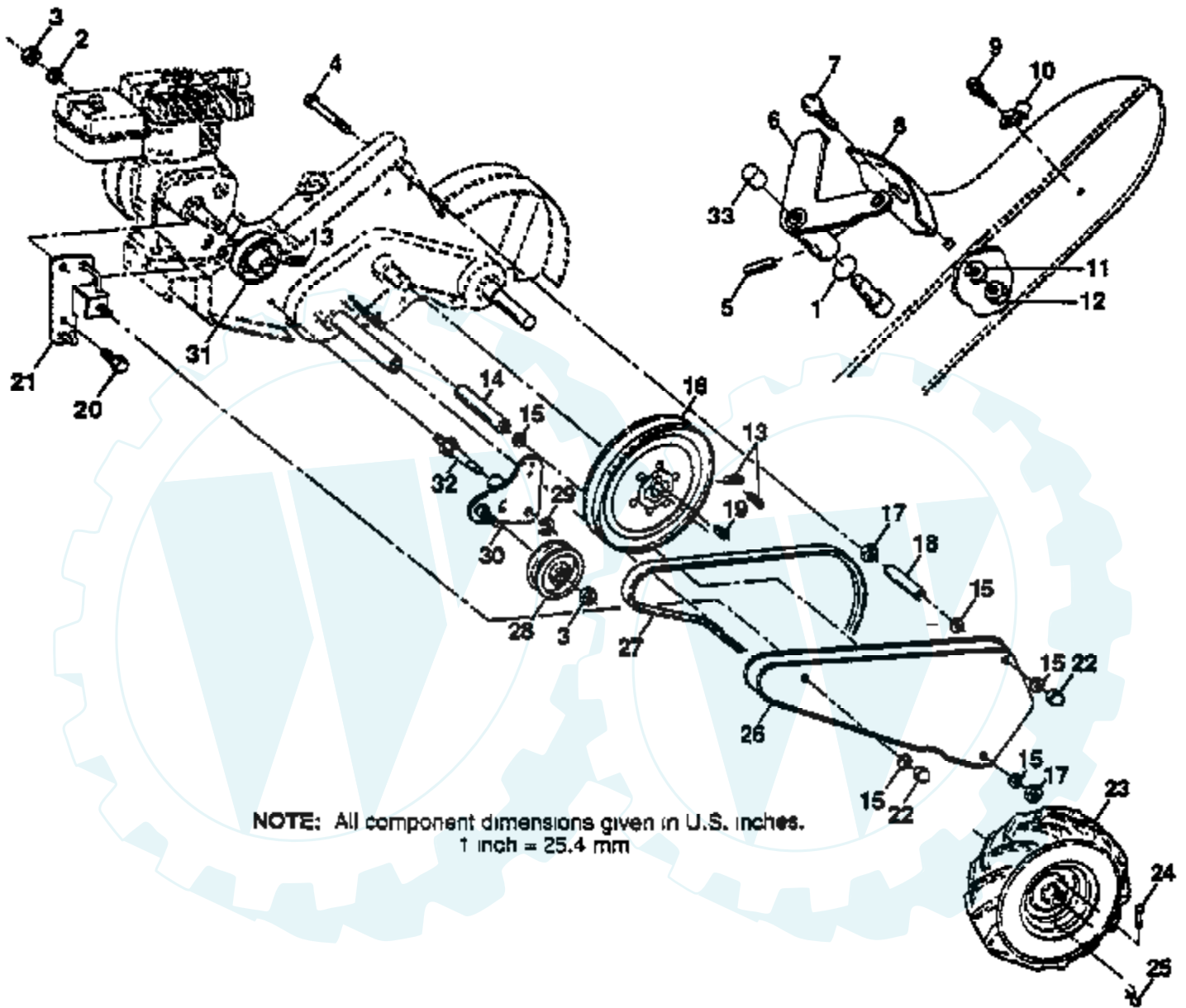


NOTE: All component dimensions given in U.S. inches.
1 inch = 25.4 mm

Ref #	Part Number	Qty	Description
1	8389J		GRIP TI
2	121248X		BUSHING
3	71191008		SCREW.PNHD.10-24
4	126949X550		BRACKET.HDLE.TILL
5	72110514		BOLT CARRIAGE CRT
6	108281X		ROD SHIFT CRT
7	72110608		BOLT D
8	4497H		RETAINER M
9	109229X		LOCK CRT
10	73930600		LOCKNUT
11	19131611		WASHER CRT
12	109228X		LEVER LOCK CRT
13	121566X		HANDLE
14	101251L		CABLE-CLUTCH CRT
15	9484R		CONDIUT CLIP T
16	86777		SUB= 750097
17	102604X		GRIP BAR CRT
18	81328		SHOULDER BOLT ST
19	10040400		LOCKWASHER
20	73220400		SUB= 50675
21	108276X		HANDLE BAR CRT
22	140526		GRIP HDLE NUBBED
23	138283		LOCK.HANDLE
24	73731000		NUT
25	143665		CONTROL.TRTL.6HP.
26	5420J		SUB= 146480
27	10040500		LOCKWASHER
28	73800500		NUT

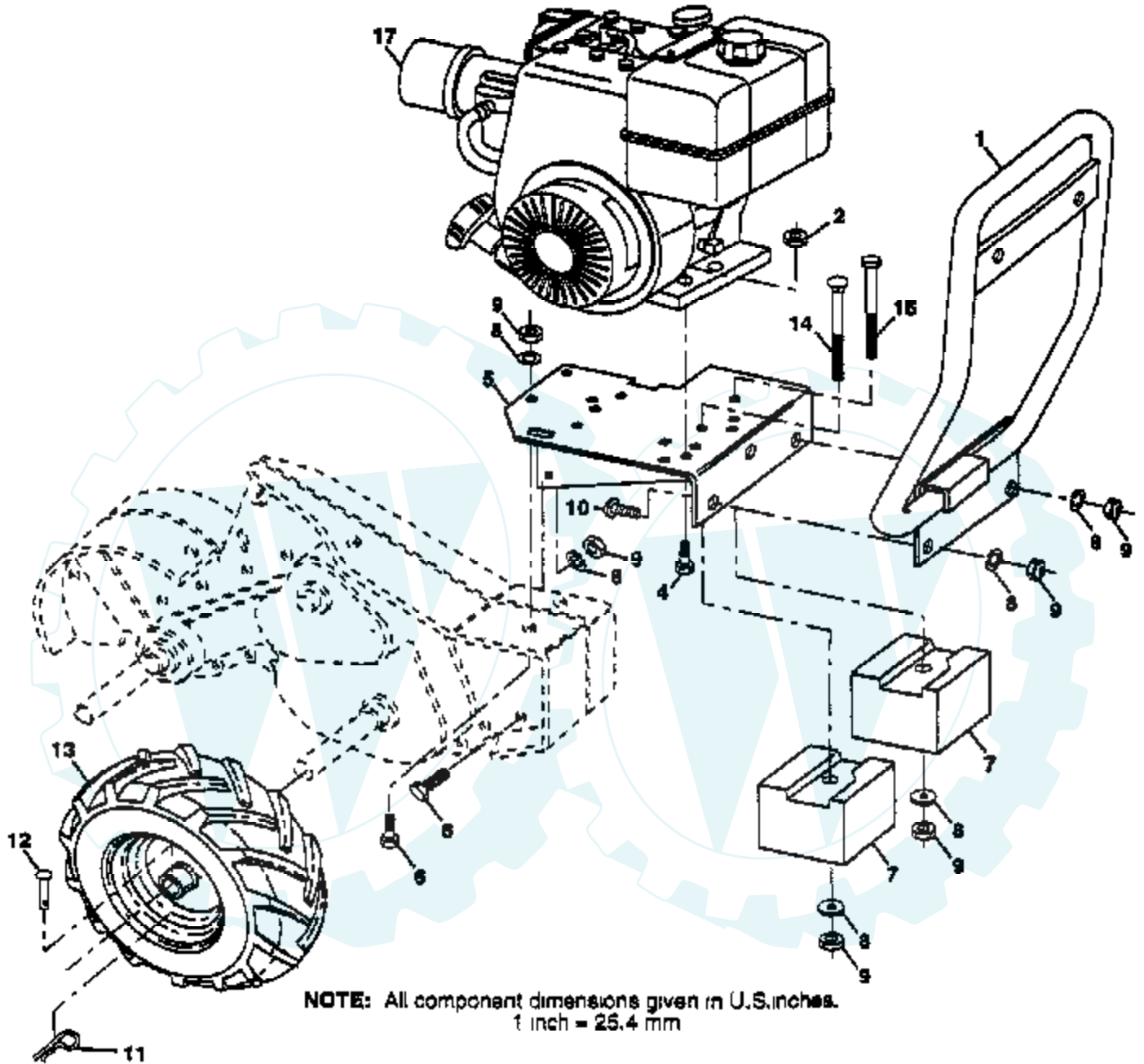
TILLER - - MODEL NUMBER HDRT600A

MAINFRAME, LEFT SIDE

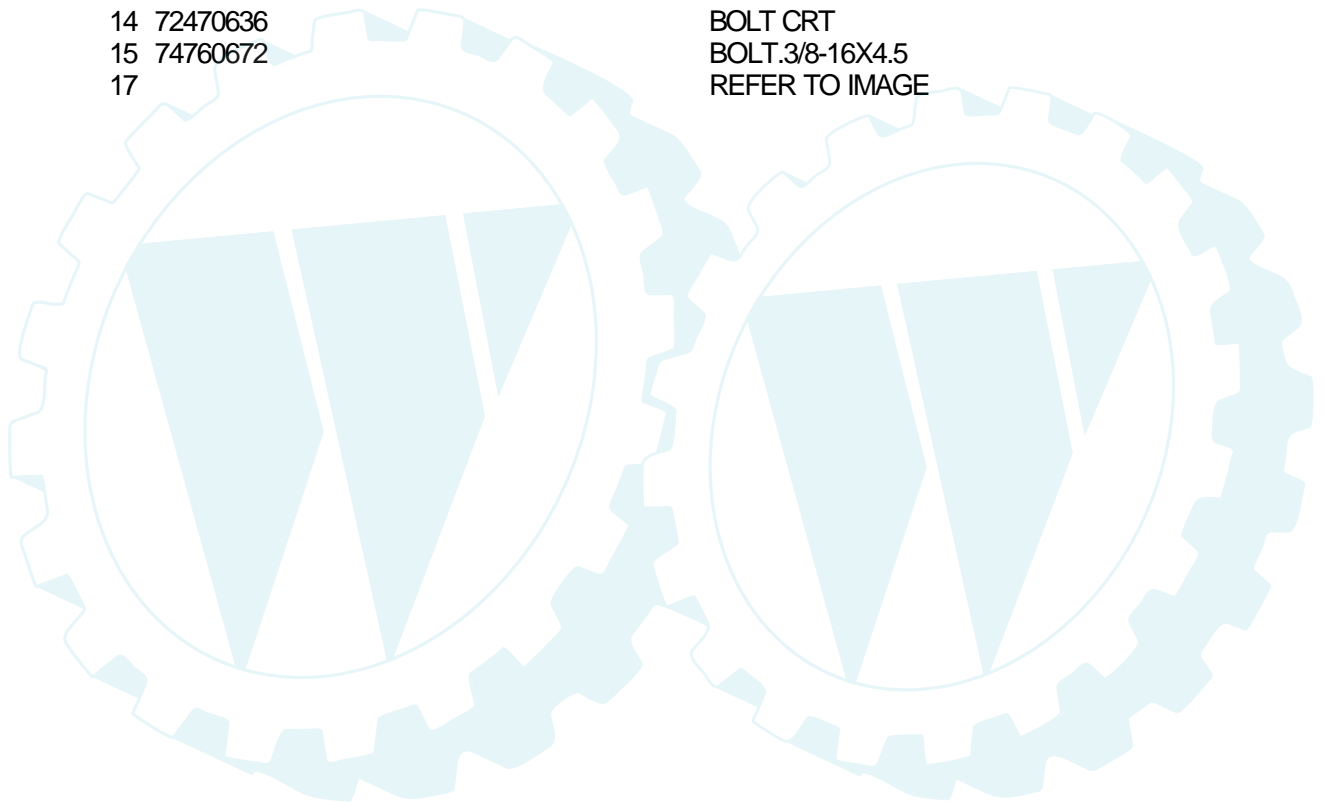


Ref #	Part Number	Qty	Description
1	106160X		O-RING TI
2	10040600		LOCKWASHER
3	73220600		NUT.HEX.3/8-16UNC
4	74930572		BOLT TI
5	1572H		SUB= 2882J
6	110111X		LEVER ASM CRT
7	72110404		BOLT
8	8700J		PANEL TI
9	86777		SUB= 750097
10	9484R		CONDIUT CLIP T
11	10040400		LOCKWASHER
12	73220400		SUB= 50675
13	23230506		SET SCREW
14	8382J		SPACER TI
15	19111116		WASHER
16	100473M		"SHEAVE 10"" CRT"
17	73220500		NUT.HEX.5/16-18
18	8381J		SPACER TI
19	2649M		KEY T
20	74770510		BOLT.FIN.HX.5/16
21	102421X		BRKT ASSY TI
22	104214X		NUT TI
23	5015J		TIRE TI
	138417		RIM.16X4X8.WHT
	795R		SUB= 65139
24	4929H		RIVET.PAN HD.1.75
25	4921H		SPRING.RETAINER
26	8383J550		GUARD.BELT.MS-550
27	138399		BELT.DRIVE
28	104680X		SUB= 4371J
29	12000032		KLIP RING
30	105611X		SUB= 918105611X
31	130816		ENGINE SHEAVE
32	139401		SHAFT.IDLER
33	140062		CAP PLUNGER BLACK

TILLER -- MODEL NUMBER HDRT600A MAINFRAME, RIGHT SIDE

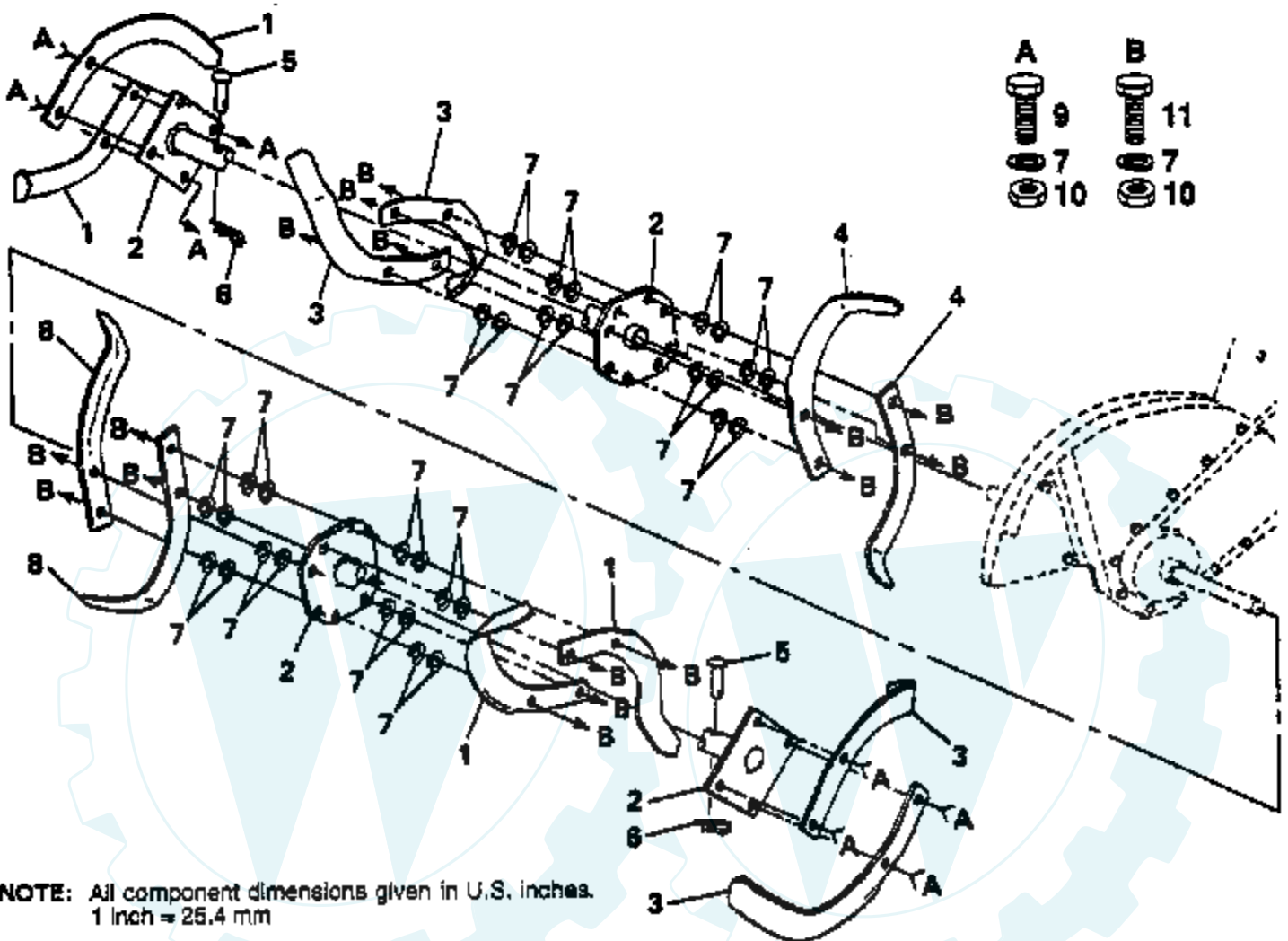


Ref #	Part Number	Qty	Description
1	138402		BUMPER.ASM
2	73510500		NUT
4	74760512		BOLT
5	138669		"ASM. ENGINE, BASE"
6	74760616		BOLT
7	8450J		COUNTERWEIGHT CRT
8	10040600		LOCKWASHER
9	73220600		NUT.HEX.3/8-16UNC
10	72140608		SUB= 72110608
11	4921H		SPRING.RETAINER
12	4929H		RIVET.PAN HD.1.75
13	5015J		TIRE TI
	138417		RIM.16X4X8.WHT
	795R		SUB= 65139
14	72470636		BOLT CRT
15	74760672		BOLT.3/8-16X4.5
17			REFER TO IMAGE



TILLER - - MODEL NUMBER HDRT600A

TINE ASSEMBLY

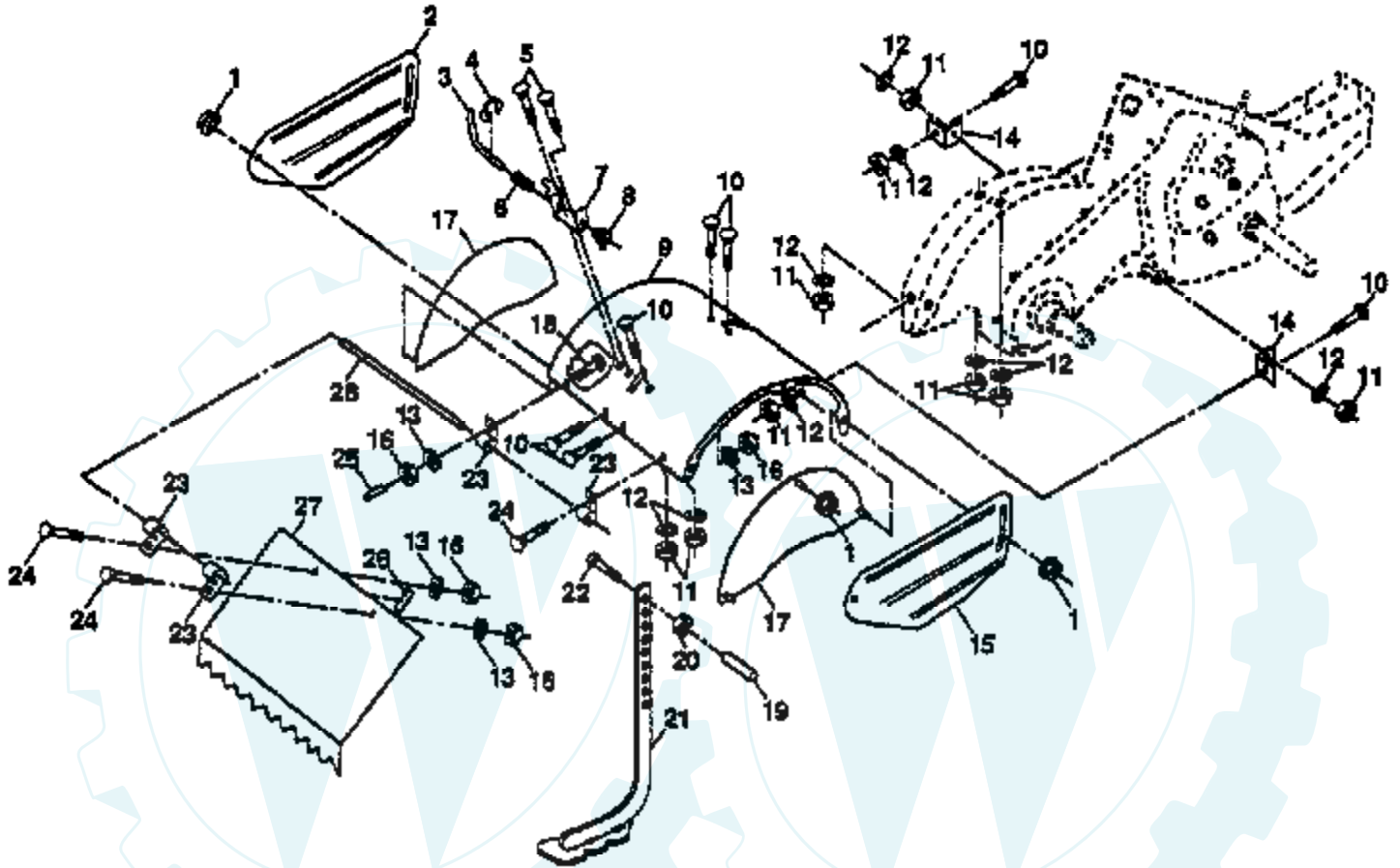


Ref #	Part Number	Qty	Description
1	6556J		SUB= 101194M
2	674A302		HUB ASSY CRT
3	6557J		SUB= 101193M
4	101194M		TINE.LH.CRT
5	4929H		RIVET.PAN HD.1.75
6	3146R		RETAINER.SPRING
7	10040600		LOCKWASHER
8	101193M		TINE RH CRT
9	74610616		BOLT
10	73610600		SUB= 7810H
11	74610624		BOLT.3/8-24X1-1/2



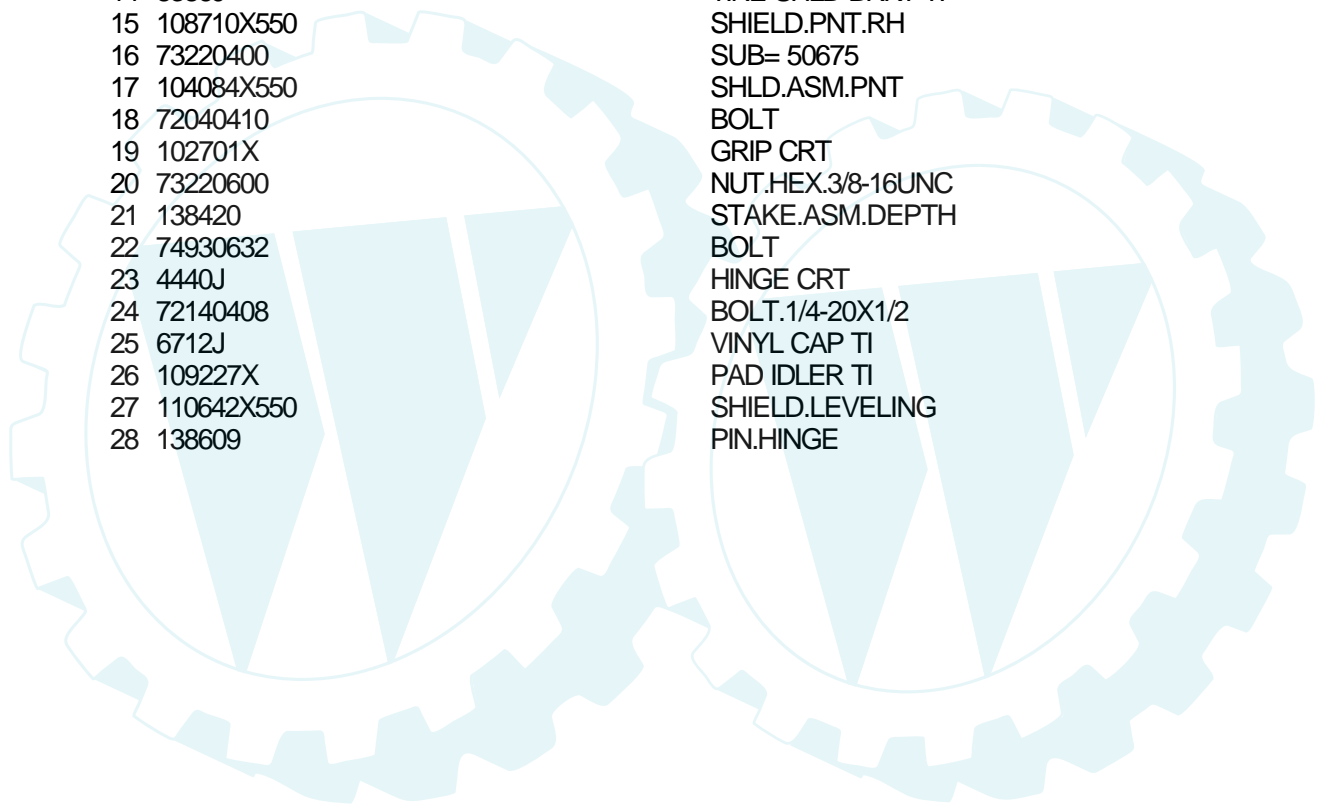
TILLER - - MODEL NUMBER HDRT600A

TINE SHIELD



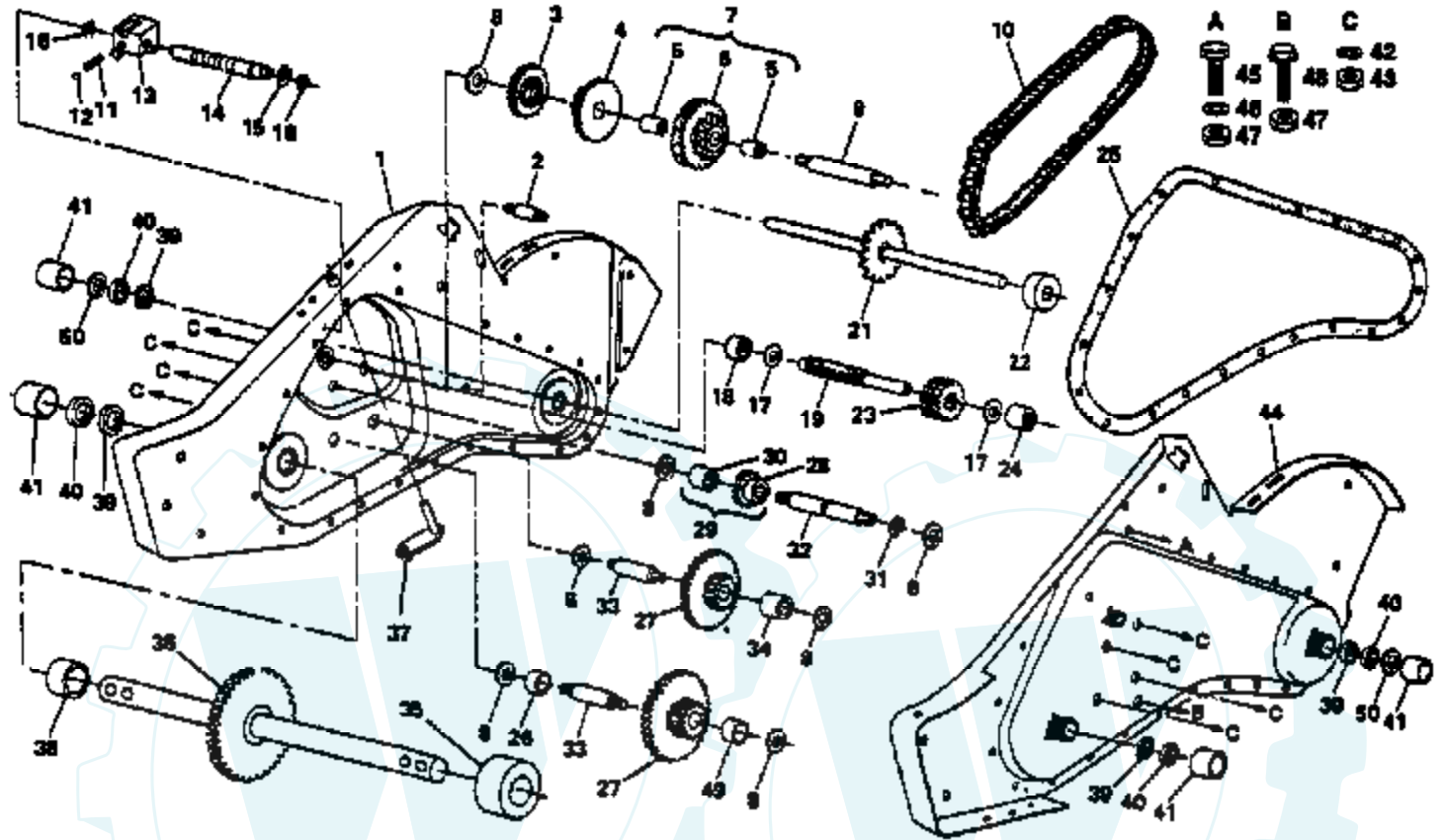
NOTE: All component dimensions given in U.S. inches.
1 inch = 25.4 mm

Ref #	Part Number	Qty	Description
1	98000129		NUT
2	108711X550		SHLD.PNT.LH.
3	8393J		STAKE PIN TI
4	12000036		KLIP RING TI
5	72140508		BOLT
6	8394J		SPRING TI
7	8392J		LATCH BRACKET TI
8	109230X		SPRING CRT
9	104177X550		SHLD.PNT.TINE
10	72140506		BOLT
11	73220500		NUT.HEX.5/16-18
12	10040500		LOCKWASHER
13	10040400		LOCKWASHER
14	8386J		TINE SHLD BRKT TI
15	108710X550		SHIELD.PNT.RH
16	73220400		SUB= 50675
17	104084X550		SHLD.ASM.PNT
18	72040410		BOLT
19	102701X		GRIP CRT
20	73220600		NUT.HEX.3/8-16UNC
21	138420		STAKE.ASM.DEPTH
22	74930632		BOLT
23	4440J		HINGE CRT
24	72140408		BOLT.1/4-20X1/2
25	6712J		VINYL CAP TI
26	109227X		PAD IDLER TI
27	110642X550		SHIELD.LEVELING
28	138609		PIN.HINGE



TILLER - - MODEL NUMBER HDRT600A

TRANSMISSION



NOTE: All component dimensions given in U.S. inches
1 inch = 25.4 mm

Ref #	Part Number	Qty	Description
	142477		SUB= 160370
1	106179X		SUB= 150430
2	8370J		BOLT TI
3	8547J		REVERSE GEAR TI
4	8546J		CLUSTER GEAR TI
5	100413K		"CRT, BEARING"
6	674A291		SUB= 674A290
7	674A290		SPROCKET ASSY TI
8	4358J		WASHER
9	8358J		REDUCTION SHFT TI
10	8371J		CHAIN TI
11	100371K		SPRING-SHIFT CRT
12	7392M		SUB= 100482K
13	8353J		SHIFT FORK TI
14	8354J		SHIFT SHAFT TI
15	12000039		KLIP RING
16	102136X		WASHER SEAL CRT
17	1370H		"T, BEARING"
18	4895H		"TI, BEARING"
19	100724M		SHAFT INPUT T
21	105378X		SHAFT TINE CRT
22	106181X		SPACER CRT
23	8359J		INPUT PINION TI
24	5020J		NEEDLE BRNG LT
25	8372J		GEARCASE GSKT TI
26	106389X		SPACER CRT
27	100433M		GEAR CLUSTER CRT
28	8357J		REVERSE GEAR TI
29	674A289		GEAR ASSY TI
30	6803J		NEEDLE BEARING TI
31	12000040		KLIP RING
32	8356J		REVERSE SHAFT TI
33	100016K		SHAFT CRT
34	106392X		SPACER CRT
35	106394X		SPACER CRT
36	100436L		SHAFT ASSY CRT
37	142145		BRACKET ASM SHIFT
38	106393X		SPACER CRT
39	7393R		OIL SEAL STD
40	140576		SEAL RING RUBBER
41	9672R		CUP.FORMED.
42	10040700		LOCKWASHER
43	73610700		NUT.ASF.HEX.7/16
44	109331X		SUB= 150417
45	74780512		BOLT
46	10040500		LOCKWASHER
47	73220500		NUT.HEX.5/16-18
48	100107K		BOLT TI
49	106391X		SPACER CRT
50	102144X		RING SPIRAL CRT
	6066J		GREASE PREMIUM-1