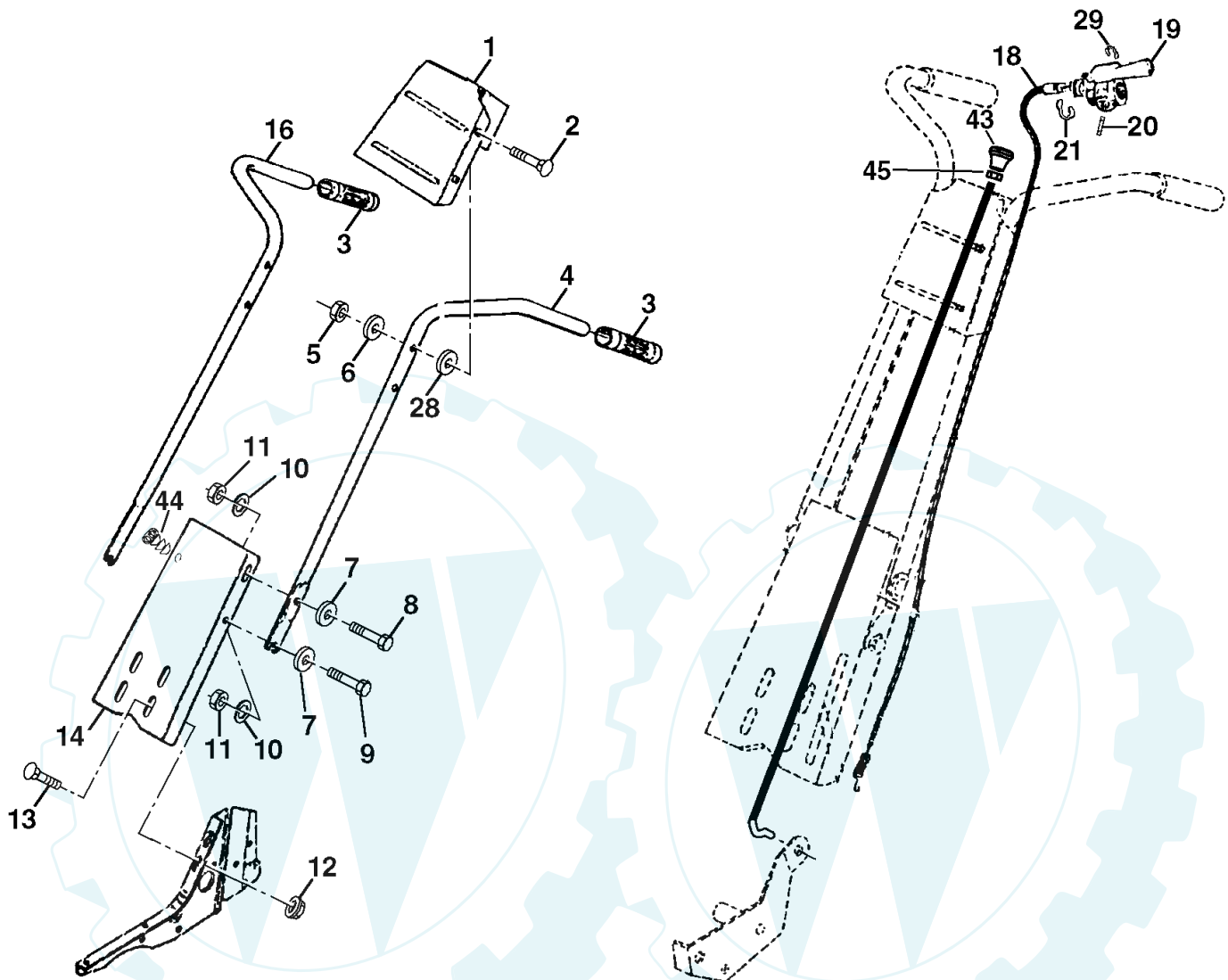


TILLER -- MODEL NUMBER HDF550M

HANDLE ASSEMBLY



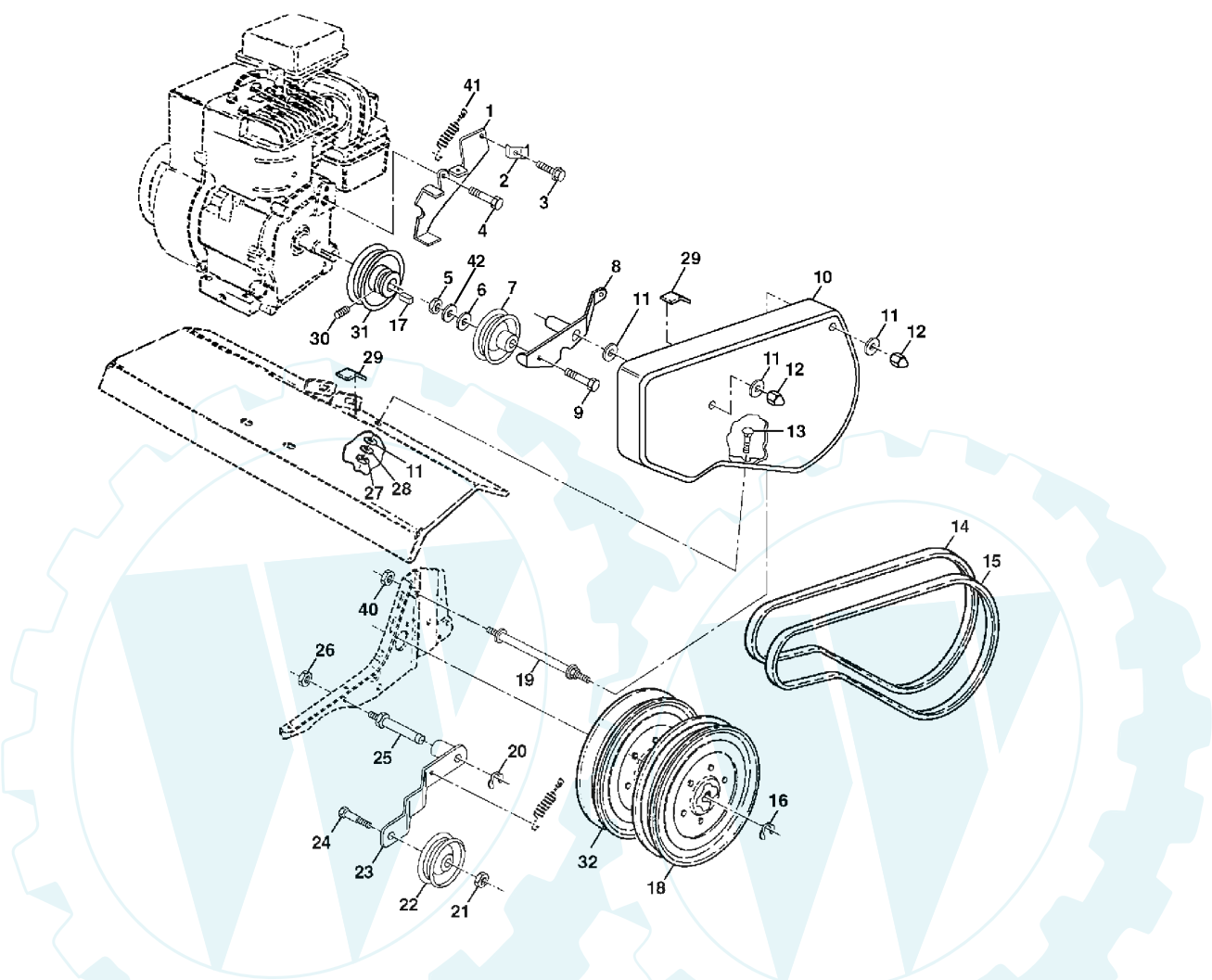
| KEY NO. | PART NO. | DESCRIPTION |
|---------|---------------|------------------------------------|
| 1 | 180814X428 | Panel Pnt Control |
| 2 | 72140512 | Bolt, Carriage 5/16-18 UNC x 1-1½ |
| 3 | 9266R | Grip, Handle |
| 4 | 166376 | Handle, L.H. |
| 5 | 73680500 | Locknut, Crown 5/16-18 |
| 6 | 19111116 | Washer 11/32 x 11/16 x 16 Ga. |
| 7 | 19121414 | Washer 3/8 x 7/8 x 14 Ga. |
| 8 | 74760516 | Bolt, Hex Hd. 5/16-18 x 1 |
| 9 | 74760512 | Bolt, Hex Hd 5/16-18 x 3/4 |
| 10 | 10040500 | Washer, Lock 5/16 |
| 11 | 73220500 | Nut, Hex 5/16-18 |
| 12 | 98000129 | Nut, Flanged 5/16-18 |
| 13 | 180847 | Bolt, Carriage 5/16-18 x 3/4 Gr. 5 |

| KEY NO. | PART NO. | DESCRIPTION |
|---------|-----------------|-------------------------------|
| 14 | 181452X428 | Panel, Handle |
| 16 | 166377 | Handle, R.H. |
| 18 | 166868 | Cable, Control, Tine |
| 19 | 151229 | Lever, Control, Tine |
| 20 | 154805 | Pin, Pivot |
| 21 | 12000027 | Ring, Klip |
| 28 | 19131312 | Washer 13/32 x 13/16 x 12 Ga. |
| 29 | 12000059 | Retaining, Ring |
| 43 | 180528 | Cable Assembly, Reverse |
| 44 | 181580 | Clip |
| 45 | 73920600 | Nut Keps 3/8-24 Unf |

NOTE: All component dimensions are given in U.S. inches. 1 inch = 25.4 mm

TILLER - - MODEL NUMBER HDF550M

BELT GUARD AND PULLEY ASSEMBLY



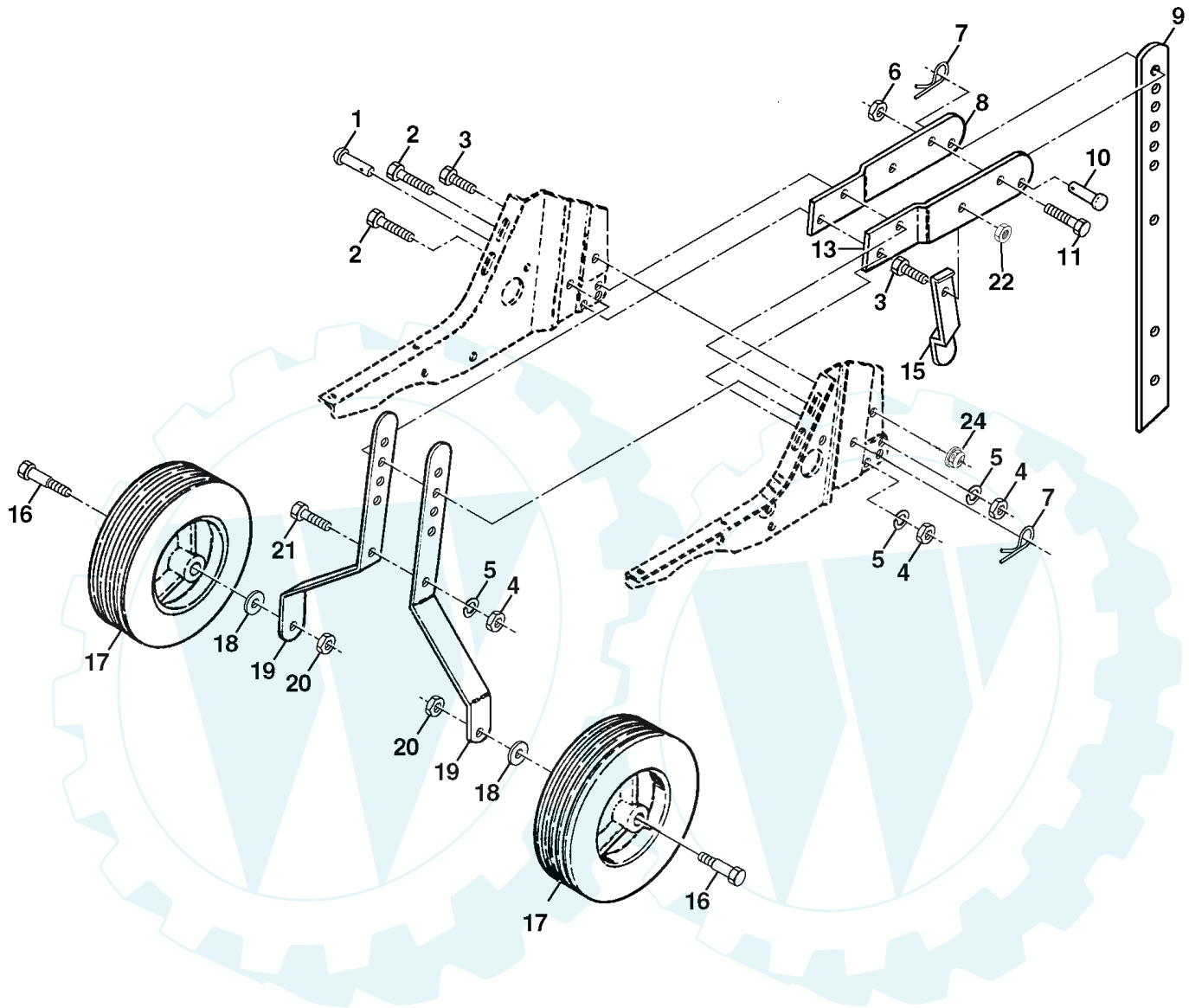
| KEY NO. | PART NO. | DESCRIPTION |
|---------|------------|---|
| 1 | 180377 | Assembly, Bracket, Belt Guard |
| 2 | 9484R | Clip, Cable |
| 3 | 86777 | Screw, Hex, Washer Hd., Slotted, Thd. Cutting #10-24 x 1/2 Type D |
| 4 | 74610812 | Bolt, Hex 1/2-20 x 3/4 |
| 5 | 73660600 | Nut, Hex Lock 3/8-16 |
| 6 | 19131316 | Washer 13/32 x 13/16 x 16 Ga. |
| 7 | 2009J | Pulley, Idler, Reverse |
| 8 | 180323 | Assembly, Arm, Reverse Idler |
| 9 | 74760628 | Bolt, Hex 3/8-16 x 1-3/4 |
| 10 | 156705X428 | Guard, Belt |
| 11 | 19091016 | Washer 9/32 x 5/8 x 16 Ga. |
| 12 | 104213X | Nut, Cap 1/4-20 |
| 13 | 72140406 | Bolt, Carriage 1/4-20 x 3/4 |
| 14 | 133035 | V-Belt (Forward Motion) |
| 15 | 2614J | V-Belt (Reverse) |
| 16 | 12000028 | Ring, Retainer |
| 17 | 2649M | Key, Square |
| 18 | 151236 | Pulley, Flat, Trans. |

| KEY NO. | PART NO. | DESCRIPTION |
|---------|----------|--|
| 19 | 165914 | Bolt, Belt Guard |
| 20 | 12000035 | Ring, Klip |
| 21 | 73350600 | Nut, Hex, Jam 3/8-16 |
| 22 | 161806 | Pulley, Idler |
| 23 | 175377 | Arm, Idler |
| 24 | 74760620 | Bolt, Hex 3/8-16 x 1-1/4 |
| 25 | 106968X | Shaft, Idler Arm |
| 26 | 73350500 | Nut, Hex, Jam 5/16-18 |
| 27 | 73220400 | Nut, Fin Hex 1/4-20 |
| 28 | 10040400 | Washer LK Hvy Helical 1/4 |
| 29 | 109227X | Pad, Idler |
| 30 | 23200404 | Screw, Set, Socket, Headless C.P. 1/4-20 x 1/4 |
| 31 | 101189L | Sheave, Engine |
| 32 | 151223 | Pulley, V-Groove, Trans. |
| 40 | 73510400 | Nut Keps Hex 1/4-20 |
| 41 | 180307 | Spring |
| 42 | 138909 | Spacer |

NOTE: All component dimensions given in U.S. inches.
1 inch = 25.4 mm

TILLER - - MODEL NUMBER HDF550M

WHEEL AND DEPTH STAKE ASSEMBLY

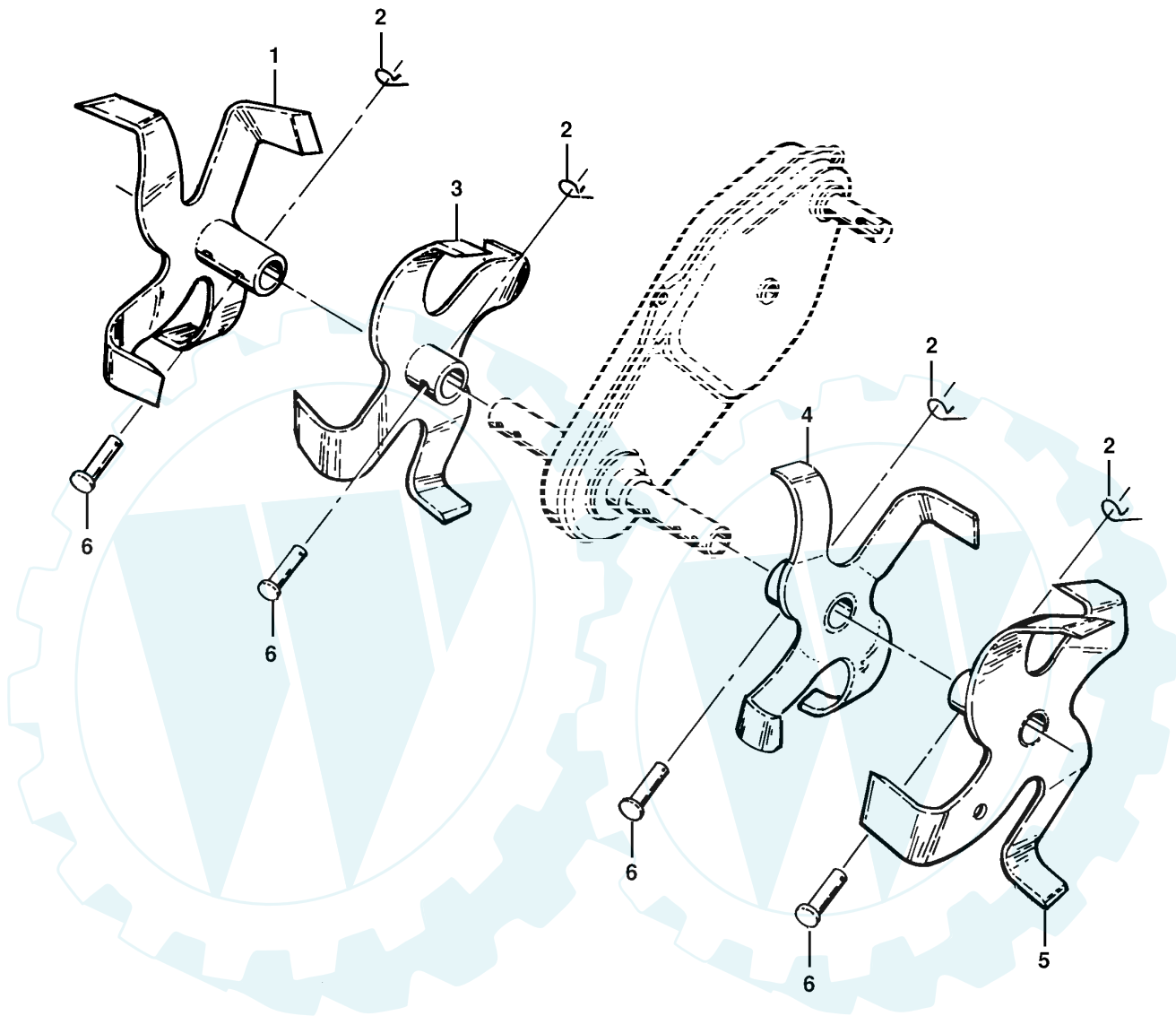


| KEY NO. | PART NO. | DESCRIPTION |
|---------|----------|-------------------------------|
| 1 | 9194R | Pin, Clevis |
| 2 | 74760520 | Bolt, Hex 5/16-18 x 1-1/4 |
| 3 | 74760512 | Bolt, Hex 5/16-18 x 3/4 |
| 4 | 73220500 | Nut, Hex 5/16-18 |
| 5 | 10040500 | Washer, Lock 5/16 |
| 6 | 73800600 | Locknut, w/washer 3/8-16 |
| 7 | 4921H | Clip, Hairpin |
| 8 | 1952J | Support, Depth Stake, R.H. |
| 9 | 122233X | Stake, Depth |
| 10 | 326J | Pin, Clevis |
| 11 | 74780628 | Bolt, Hex, Fin 3/8-16 x 1-3/4 |
| 13 | 1951J | Support, Depth Stake, L.H. |

| KEY NO. | PART NO. | DESCRIPTION |
|---------|----------|-------------------------------|
| 15 | 5388J | Spring, Stake |
| 16 | 121117X | Bolt, Shoulder |
| 17 | 9188R | Wheel |
| 18 | 19131311 | Washer 13/32 x 13/16 x 11 Ga. |
| 19 | 9190R | Bracket, Wheel |
| 20 | 73680600 | Locknut, Crown 3/8-16 |
| 21 | 74760516 | Bolt, Hex 5/16-18 x 1 |
| 22 | 73800500 | Locknut, w/insert 5/16-18 |
| 24 | 73970500 | Nut Lock Hex Flange |

NOTE: All component dimensions given in U.S. inches.
1 inch = 25.4 mm

ITNE ASSEMBLY

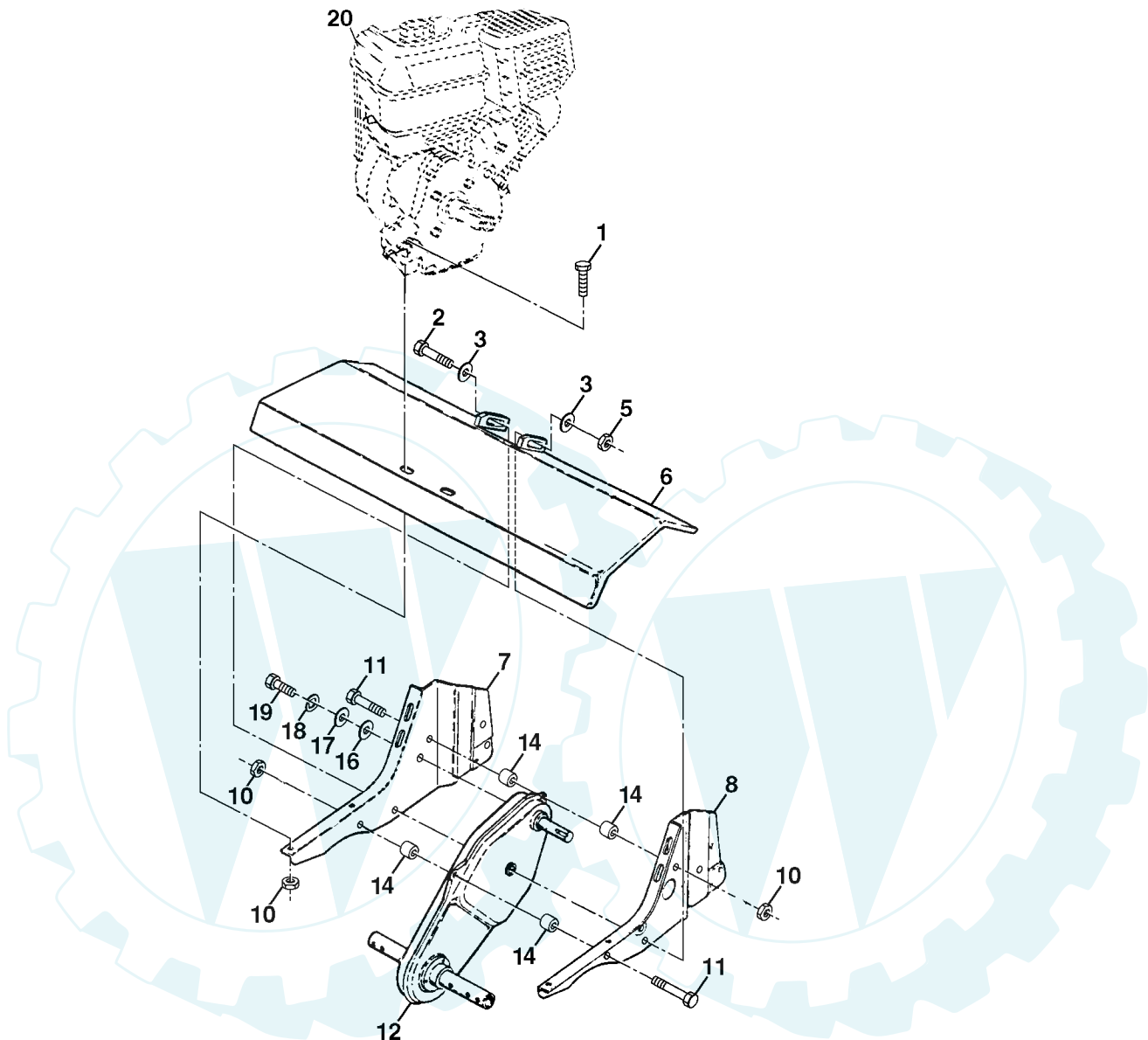


| KEY NO. | PART NO. | DESCRIPTION |
|---------|----------|-------------------|
| 1 | 156934 | Tine, Outer, R.H. |
| 2 | 3146R | Retainer, Spring |
| 3 | 156932 | Tine, Inner, R.H. |

| KEY NO. | PART NO. | DESCRIPTION |
|---------|----------|-------------------|
| 4 | 156931 | Tine, Inner, L.H. |
| 5 | 156933 | Tine, Outer, L.H. |
| 6 | 4929H | Pin, Clevis |

TILLER -- MODEL NUMBER HDF550M

TRANSMISSION



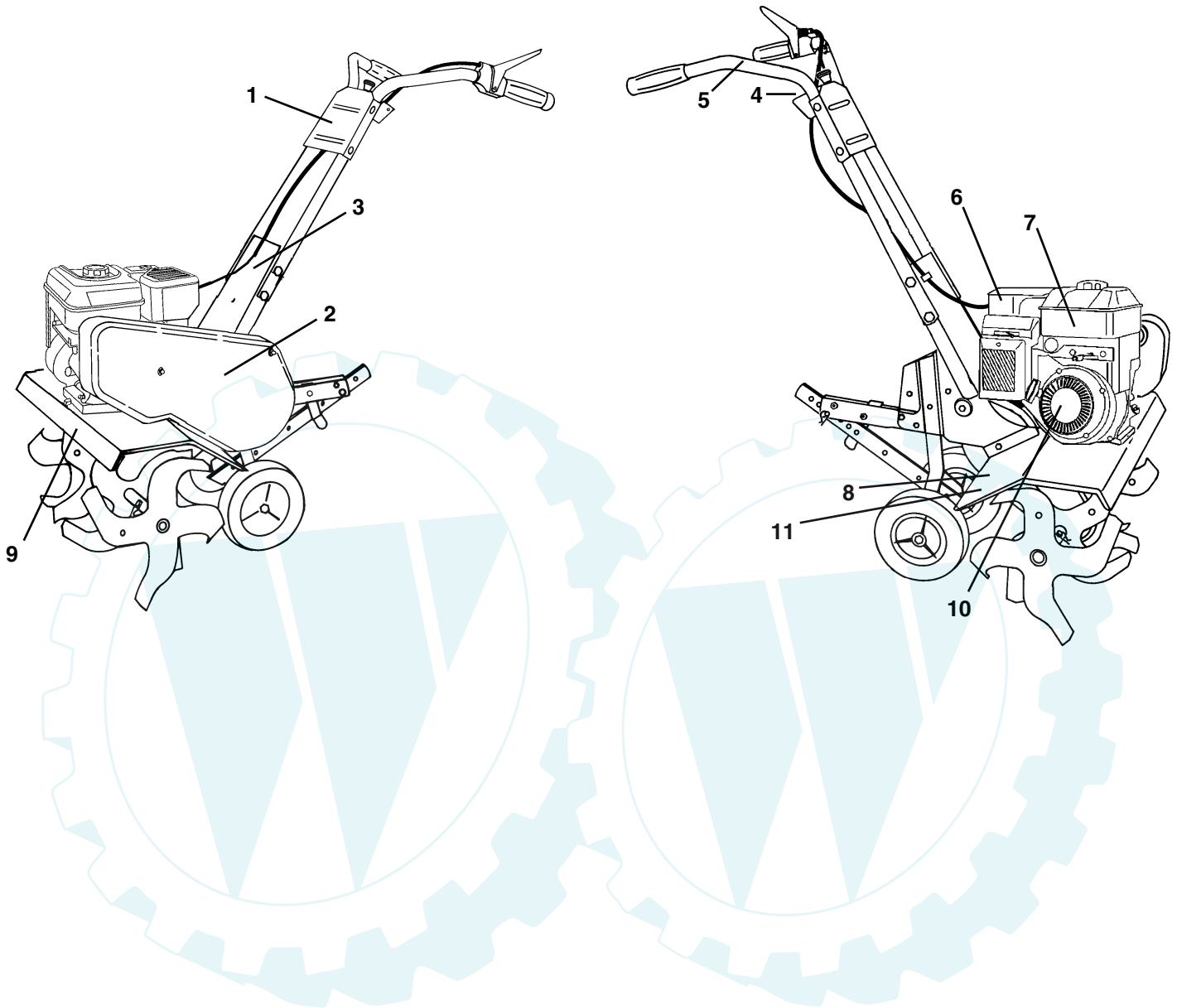
| KEY NO. | PART NO. | DESCRIPTION |
|---------|----------|---------------------------------|
| 1 | 74760524 | Bolt, Hex 5/16-18 x 1-1/2 Gr. 2 |
| 2 | 74780652 | Bolt, Hex, Fin 3/8-16 x 3-1/4 |
| 3 | 19131311 | Washer 13/32 x 13/16 x 11 |
| 5 | 73800600 | Locknut, Hex, w/washer 3/8-16 |
| 6 | 9057R428 | Shield, Tine |
| 7 | 165835 | Bracket, Engine, R.H. |
| 8 | 1948J | Bracket, Engine, L.H. |
| 11 | 74760544 | Bolt, Hex 5/16-18 x 2-3/4 |
| 12 | 176112 | Transmission |

| KEY NO. | PART NO. | DESCRIPTION |
|---------|----------|---|
| 14 | 9173R | Spacer, Split |
| 15 | 73970500 | Nut Lock Hex Flg |
| 16 | 19091412 | Washer 9/32 x 7/8 x 12 Ga. |
| 17 | 19092016 | Washer 9/32 x 1-1/4 x 16 Ga. |
| 18 | 10040400 | Washer, Lock 1/4 |
| 19 | 74610412 | Bolt, Hex 1/4-28 x 3/4 Gr. 5 |
| 20 | ----- | Engine, Briggs Model 126402 Order parts from engine manufacturer |

NOTE: All component dimensions given in U.S. inches.
1 inch = 25.4 mm

TILLER - - MODEL NUMBER HDF550M

DECALS



| KEY NO. | PART NO. | DESCRIPTION |
|---------|---------------|--------------------------------|
| 1 | 157377 | Decal, Logo |
| 2 | 157380 | Decal, Logo |
| 3 | 157378 | Decal, HP, Reverse |
| 4 | 141914 | Decal, Reverse, Tine Control |
| 5 | 141907 | Decal, Hand Placement |
| 6 | 176391 | Decal, Eng. Tiller |
| 7 | 171077 | Decal, OHV. N-I/C |
| 8 | 141906 | Decal, Warning, Rotating Tines |
| 9 | 157381 | Decal, Hvy Duty |
| 10 | 171078 | Decal, Rewind Intek |
| 11 | 162215 | Decal, Tine Shield Wrng. Dom |
| -- | 184860 | Manual, Owner's (English) |
| -- | 184861 | Manual, Owner's (Spanish) |