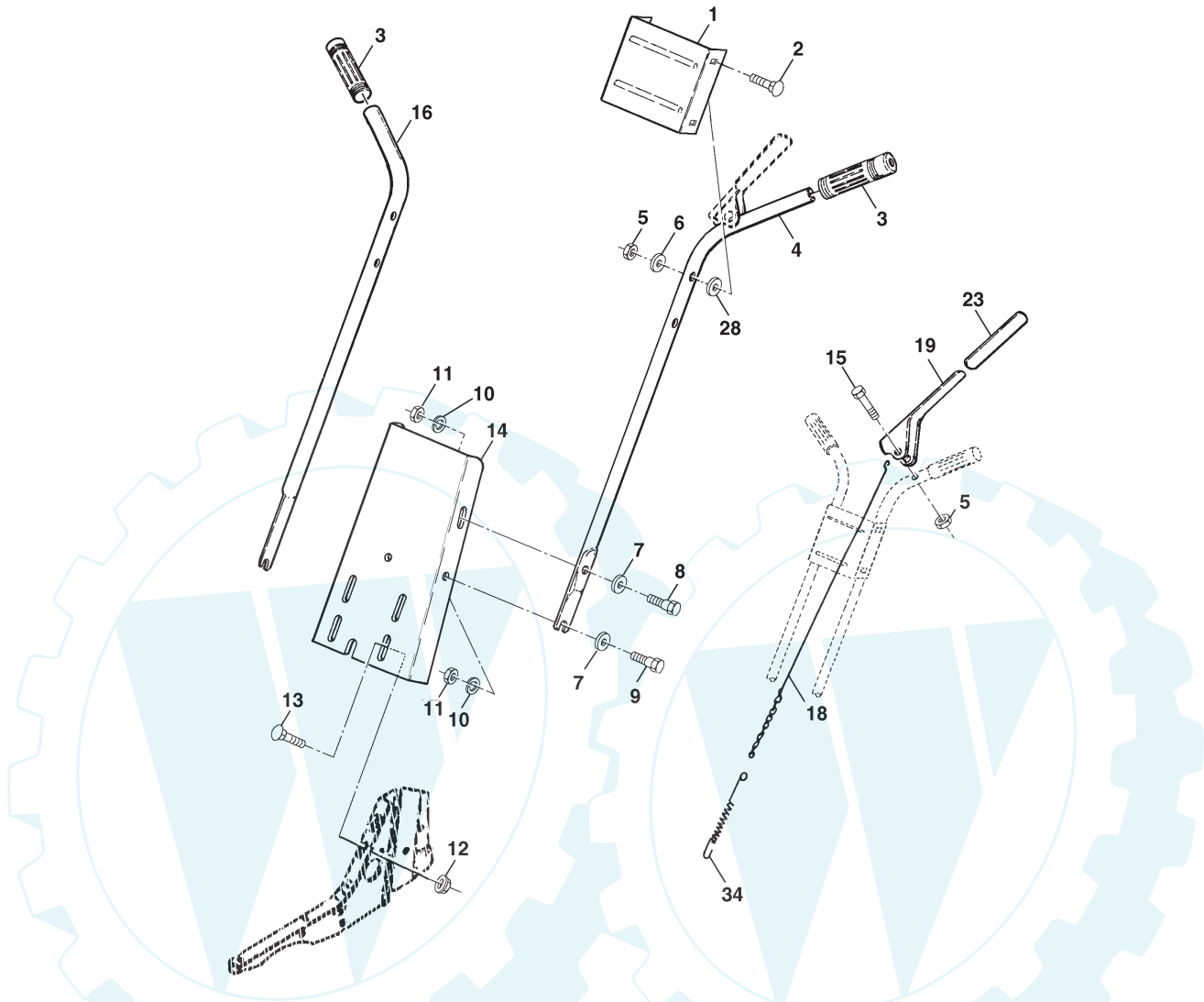


TILLER - - MODEL NUMBER FN620J

HANDLE ASSEMBLY

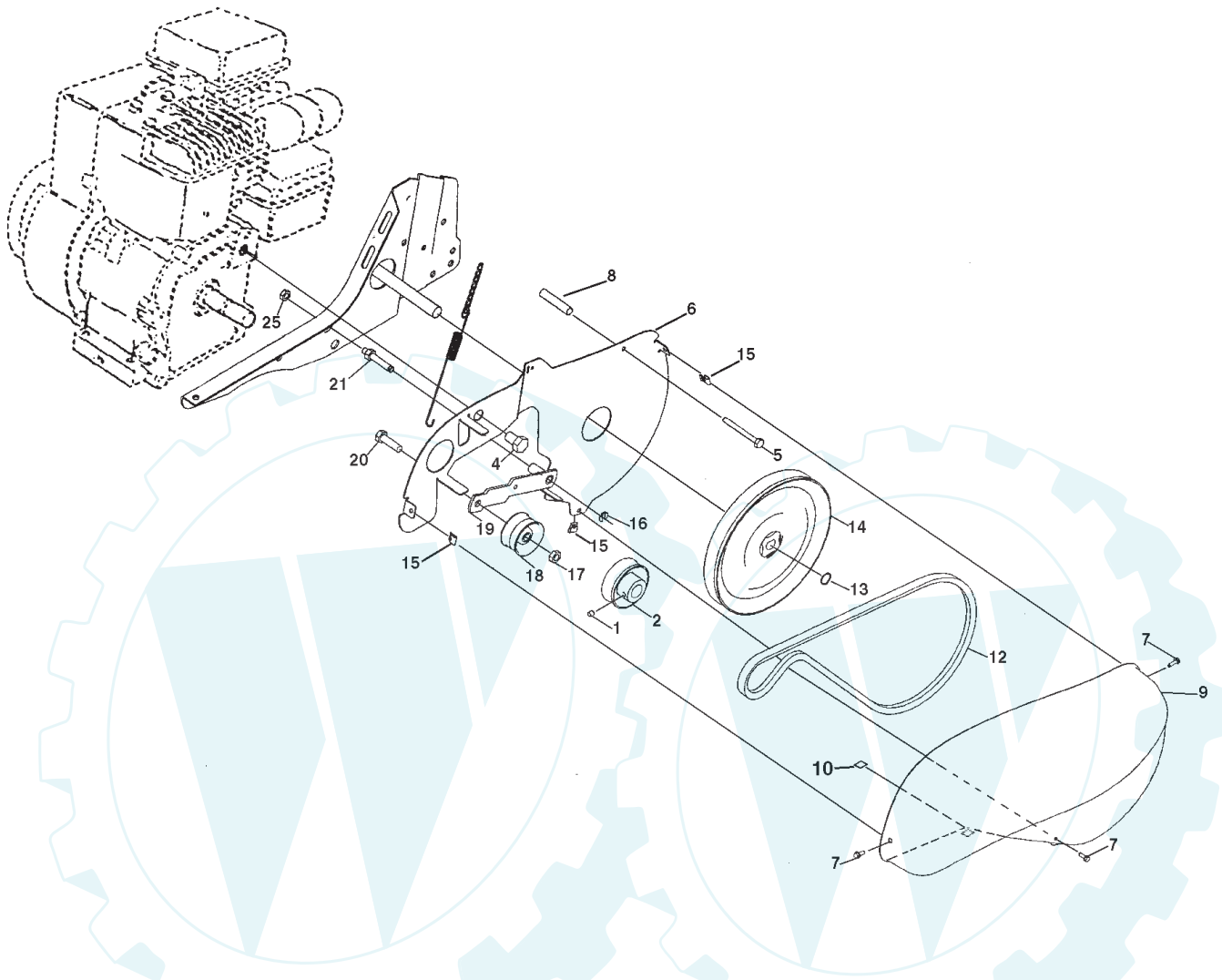


KEY NO.	PART NO.	DESCRIPTION	KEY NO.	PART NO.	DESCRIPTION
1	137176X505	Bracket, Handle	13	72140506	Bolt, Carriage 5/16-18 x 3/4 Gr. 5
2	72140512	Bolt, Carriage 5/16-18 UNC x 1-1/2	14	9209R505	Panel, Handle
3	9266R	Grip, Handle	15	74760524	Bolt Fin Hex 5/16-18 x 1-1/2
4	151473	Handle, L.H.	16	151474	Handle, R.H.
5	73680500	Locknut, Crown 5/16-18	18	3067J	Cable Asm Clutch
6	19111116	Washer 11/32 x 11/16 x 16 Ga.	19	164937	Lever Clutch
7	19121414	Washer 3/8 x 7/8 x 14 Ga.	23	8206H	Grip Handle
8	74760516	Bolt, Hex Hd. 5/16-18 x 1	28	19131312	Washer 13/32 x 13/16 x 12 Ga.
9	74760512	Bolt, Hex Hd 5/16-18 x 3/4	34	3070J	Spring
10	10040500	Washer, Lock 5/16			
11	73220500	Nut, Hex 5/16-18			
12	98000129	Nut, Flanged 5/16-18			

NOTE: All component dimensions are given in U.S. inches. 1 inch = 25.4 mm

TILLER - - MODEL NUMBER FN620J

BELT GUARD AND PULLEY ASSEMBLY



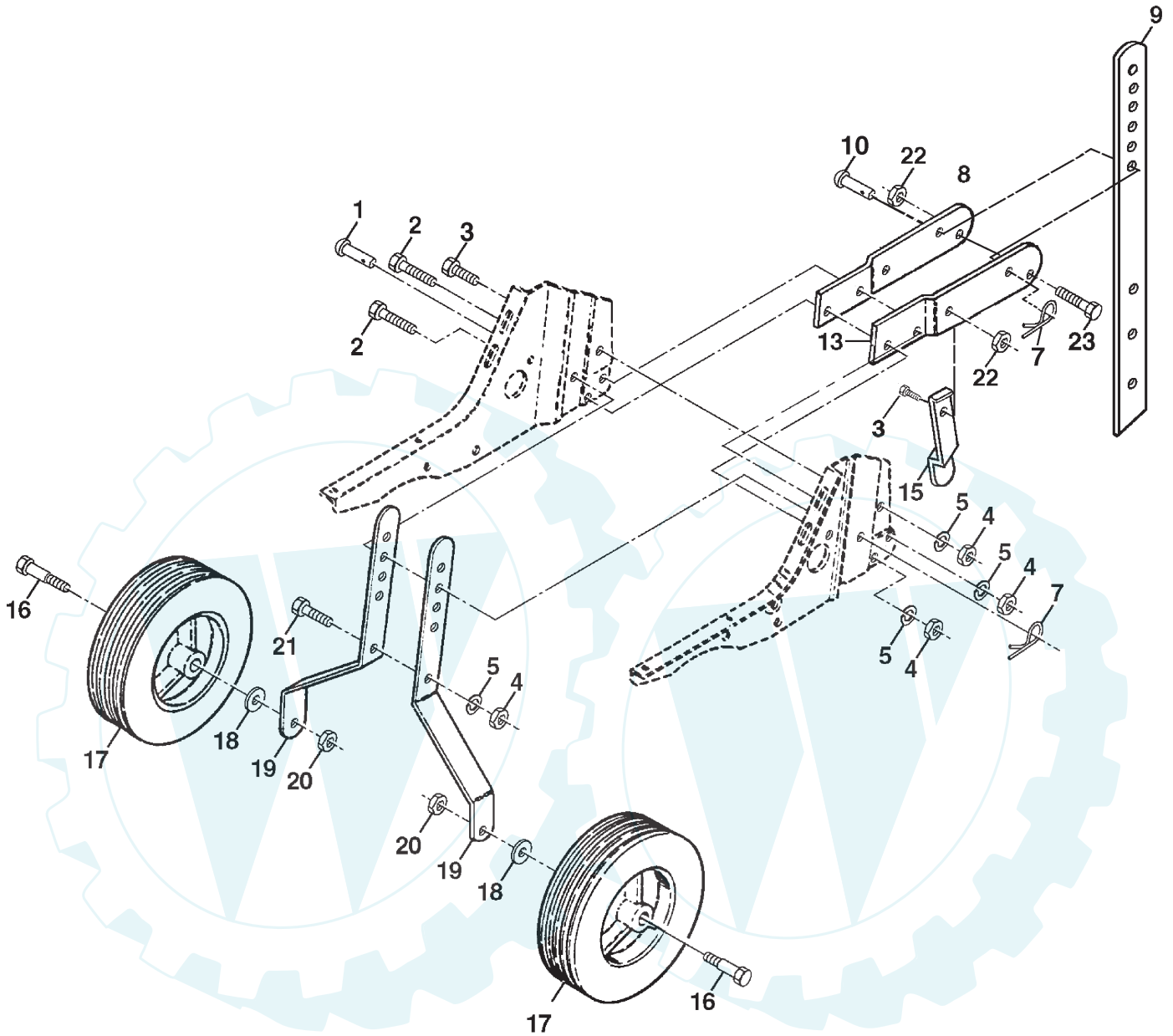
KEY NO.	PART NO.	DESCRIPTION
1	23230506	Screw, Set 5/16-18 x 3/8
2	130812	Sheave, Engine
4	74610812	Bolt, Hex 1/2-20 x 3/4
5	17490440	Bolt Thd Roller 1/4-20 X 2-1/2
6	174898	Shield Inner Guard Belt
7	170488	Screw Hex Wsh Slit #10-24 x .50
8	139155	Spacer Split .523 x .718 x 2
9	165768X505	Guard, Belt
10	109227X	Pad, Idler
12	9180R	V-Belt Drive
13	12000028	Ring, Retainer
14	151223	Sheave, Transmission

KEY NO.	PART NO.	DESCRIPTION
15	165504	Nut J Clip #8
16	12000036	Ring, Klip
17	73350600	Nut, Hex, Jam 3/8-16
18	161806	Pulley, Idler
19	175377	Arm, Idler
20	74760620	Bolt, Hex 3/8-16 x 1-1/4
21	106968X	Shaft, Idler Arm
25	73350500	Nut, Hex, Jam 5/16-18

NOTE: All component dimensions given in U.S. inches.
1 inch = 25.4 mm

TILLER - - MODEL NUMBER FN620J

WHEEL AND DEPTH STAKE ASSEMBLY



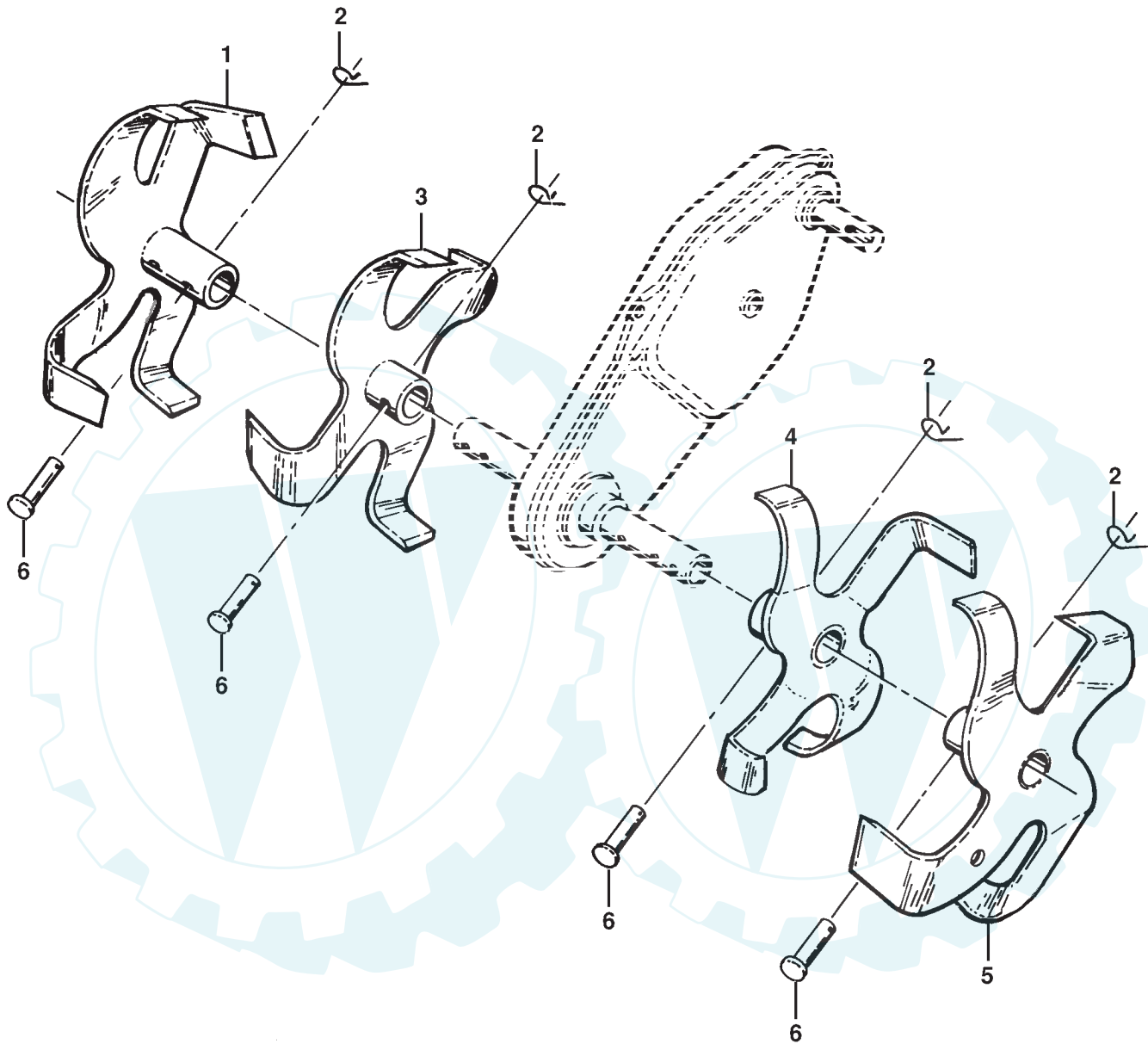
KEY NO.	PART NO.	DESCRIPTION
1	9194R	Pin, Clevis
2	74760520	Bolt, Hex 5/16-18 x 1-1/4
3	74760512	Bolt, Hex 5/16-18 x 3/4
4	73220500	Nut, Hex 5/16-18
5	10040500	Washer, Lock 5/16
7	4921H	Clip, Hairpin
8	318J	Support, Depth Stake, R.H.
9	9193R	Stake, Depth
10	9551R	Rivet, Drilled
13	317J	Support, Depth Stake, L.H.
15	5388J	Spring, Stake
16	121117X	Bolt, Shoulder

KEY NO.	PART NO.	DESCRIPTION
17	9186R	Wheel
18	19131311	Washer 13/32 x 13/16 x 11 Ga.
19	9190R	Bracket, Wheel
20	73680600	Locknut, Crown 3/8-16
21	74760516	Bolt, Hex 5/16-18 x 1
22	73800500	Locknut, w/insert 5/16-18
23	74780524	Bolt Fin Hex 5/16-18 UNC x 1-1/2
24	73800500	Nut Lock Hex W/Ins 5/16 x 18 UNC

NOTE: All component dimensions given in U.S. inches.
1 inch = 25.4 mm

TILLER - - MODEL NUMBER FN620J

TINE ASSEMBLY

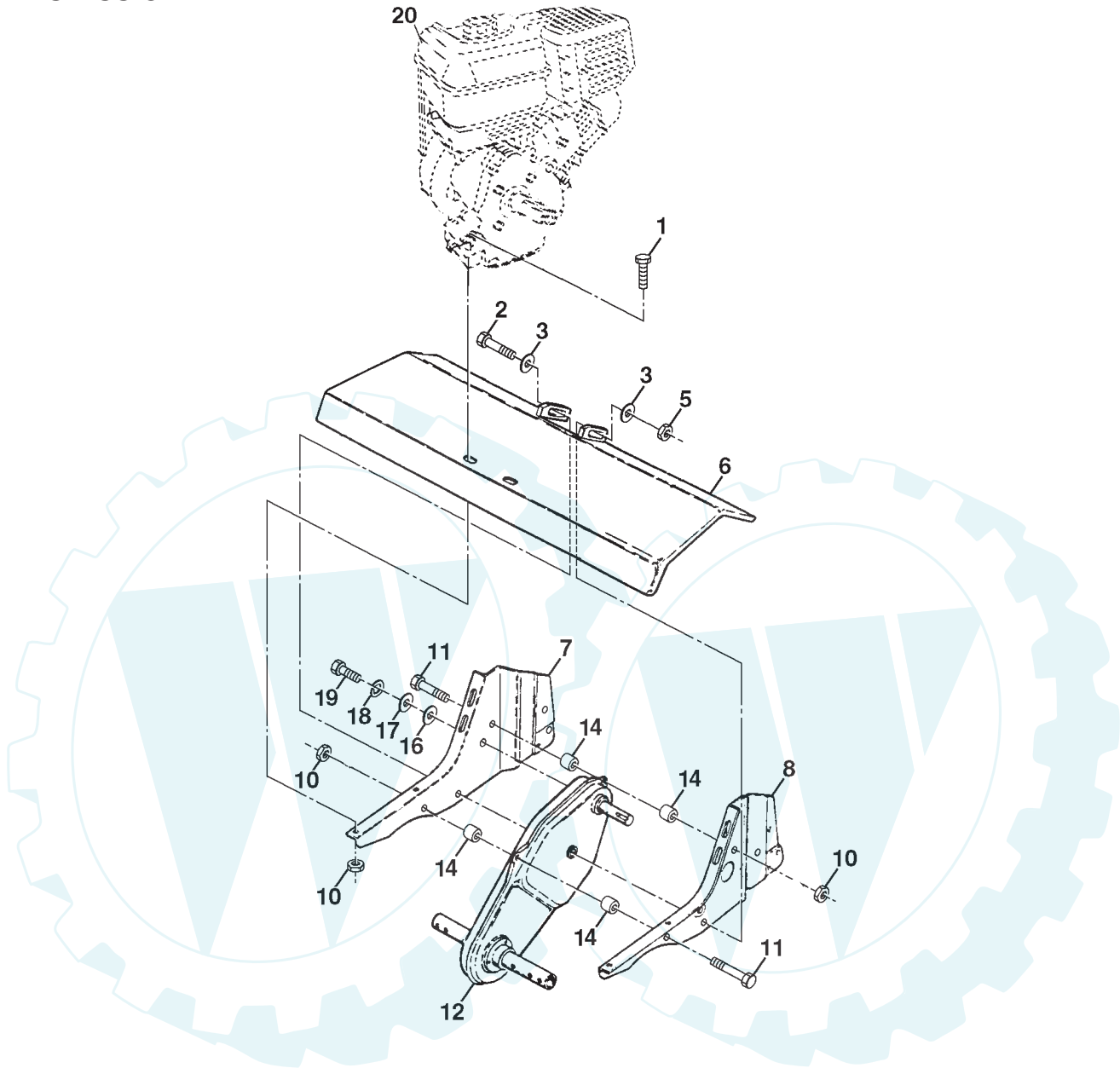


KEY NO.	PART NO.	DESCRIPTION
1	165774	Tine, Outer, R.H.
2	4921H	Retainer, Spring
3	165772	Tine, Inner, R.H.

KEY NO.	PART NO.	DESCRIPTION
4	165771	Tine, Inner, L.H.
5	165773	Tine, Outer, L.H.
6	9194R	Pin, Clevis

TILLER - - MODEL NUMBER FN620J

TRANSMISSION



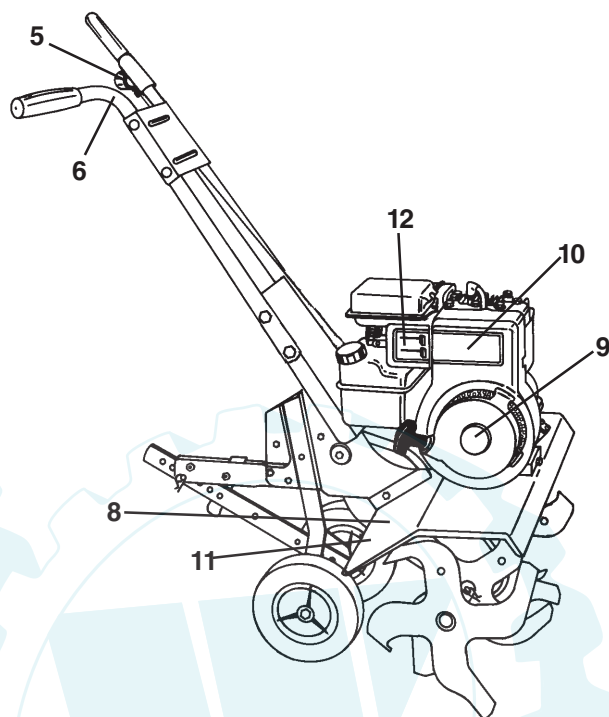
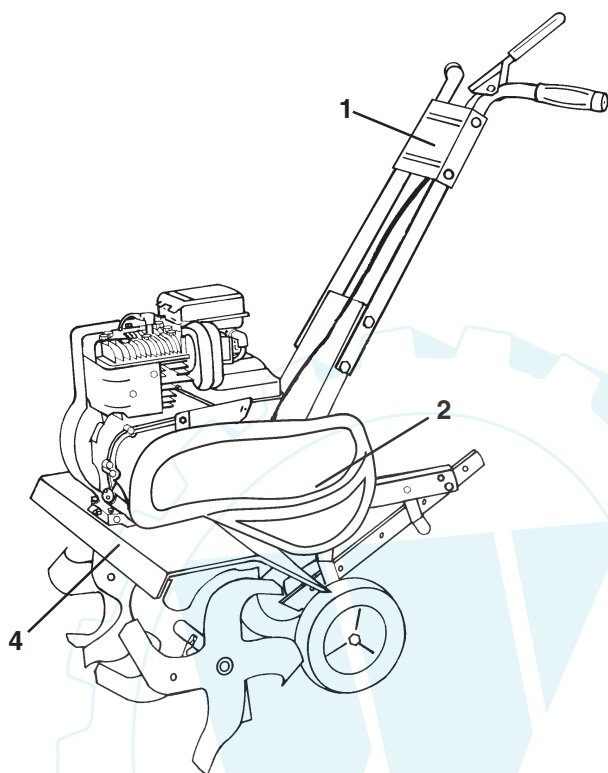
KEY NO.	PART NO.	DESCRIPTION
1	74760524	Bolt, Hex 5/16-18 x 1-1/2 Gr. 2
2	74780652	Bolt, Hex, Fin 3/8-16 x 3-1/4
3	19131311	Washer 13/32 x 13/16 x 11
5	73800600	Locknut, Hex, w/washer 3/8-16
6	9056R505	Shield, Tine
7	165835	Bracket, Engine, R.H.
8	165834	Bracket, Engine, L.H.
10	73970500	Nut, Lock Hex Flange
11	74760544	Bolt, Hex 5/16-18 x 2-3/4
12	151937	Transmission
14	9173R	Spacer, Split

KEY NO.	PART NO.	DESCRIPTION
16	19091412	Washer 9/32 x 7/8 x 12 Ga.
17	19092016	Washer 9/32 x 1-1/4 x 16 Ga.
18	10040400	Washer, Lock 1/4
19	74610412	Bolt, Hex 1/4-28 x 3/4 Gr. 5
20	-----	Engine, Briggs Model 94202 (Order parts from engine Manufacturer)

NOTE: All component dimensions given in U.S. inches.
1 inch = 25.4 mm

TILLER - - MODEL NUMBER FN620J

DECALS



KEY NO.	PART NO.	DESCRIPTION
1	132629	Decal, Logo
2	163988	Decal, Logo
4	127185X	Decal, Description
5	110613X	Decal, Tine Control
6	110614X	Decal, Hand Placement
8	120076X	Decal, Warning, Rotating Tines
9	171803	Decal, Briggs & Stratton
10	171806	Decal, 3.5 HP
11	162384	Decal, Warning
12	165327	Decal, Speed Control
--	181117	Manual, Owner's (English)
--	181118	Manual, Owner's (French)